



US00D953592S

(12) **United States Design Patent** (10) **Patent No.:** **US D953,592 S**
Wang (45) **Date of Patent:** **** May 31, 2022**

(54) **PLANT LIGHT**

(71) Applicant: **SHENZHEN SAN'AI PHOTOELECTRIC TECHNOLOGY CO., LTD.,** Shenzhen (CN)

(72) Inventor: **Wei Wang,** Shenzhen (CN)

(73) Assignee: **SHENZHEN SAN'AI PHOTOELECTRIC TECHNOLOGY CO., LTD.,** Shenzhen (CN)

(**) Term: **15 Years**

(21) Appl. No.: **29/784,746**

(22) Filed: **May 21, 2021**

(51) **LOC (13) Cl.** **26-05**

(52) **U.S. Cl.**
USPC **D26/60**

(58) **Field of Classification Search**

USPC D26/4, 7, 16, 24, 25, 34, 42, 60, 61, 62, D26/63, 73, 80, 86, 93, 102, 110, 150, D26/151; D16/237, 239, 244, 245, 250
CPC .. F21S 8/036; F21S 8/043; F21S 8/081; F21S 8/083; F21S 8/088; F21S 6/003; F21S 6/004; F21S 6/005; F21Y 2103/00; F21Y 2103/10; F21Y 2103/20; F21Y 2107/30; F21V 19/0095

See application file for complete search history.

(56) **References Cited**

U.S. PATENT DOCUMENTS

D838,032 S * 1/2019 Drew D26/118
D860,502 S * 9/2019 Gregory D26/80

D870,346 S 12/2019 Deng
D889,024 S 6/2020 Deng
D925,106 S * 7/2021 Xu D26/118
D928,388 S * 8/2021 Xu D26/118
D934,482 S * 10/2021 Huang D26/80
11,193,665 B2 * 12/2021 Khalifa A01G 9/249
D945,669 S * 3/2022 Hao D26/60
2019/0387686 A1 * 12/2019 McCormick F21V 29/503
2021/0063007 A1 * 3/2021 Khalifa F21V 23/04
2022/0090772 A1 * 3/2022 Khalifa A01G 7/045

* cited by examiner

Primary Examiner — Wan Laymon

Assistant Examiner — Clint A Samuel

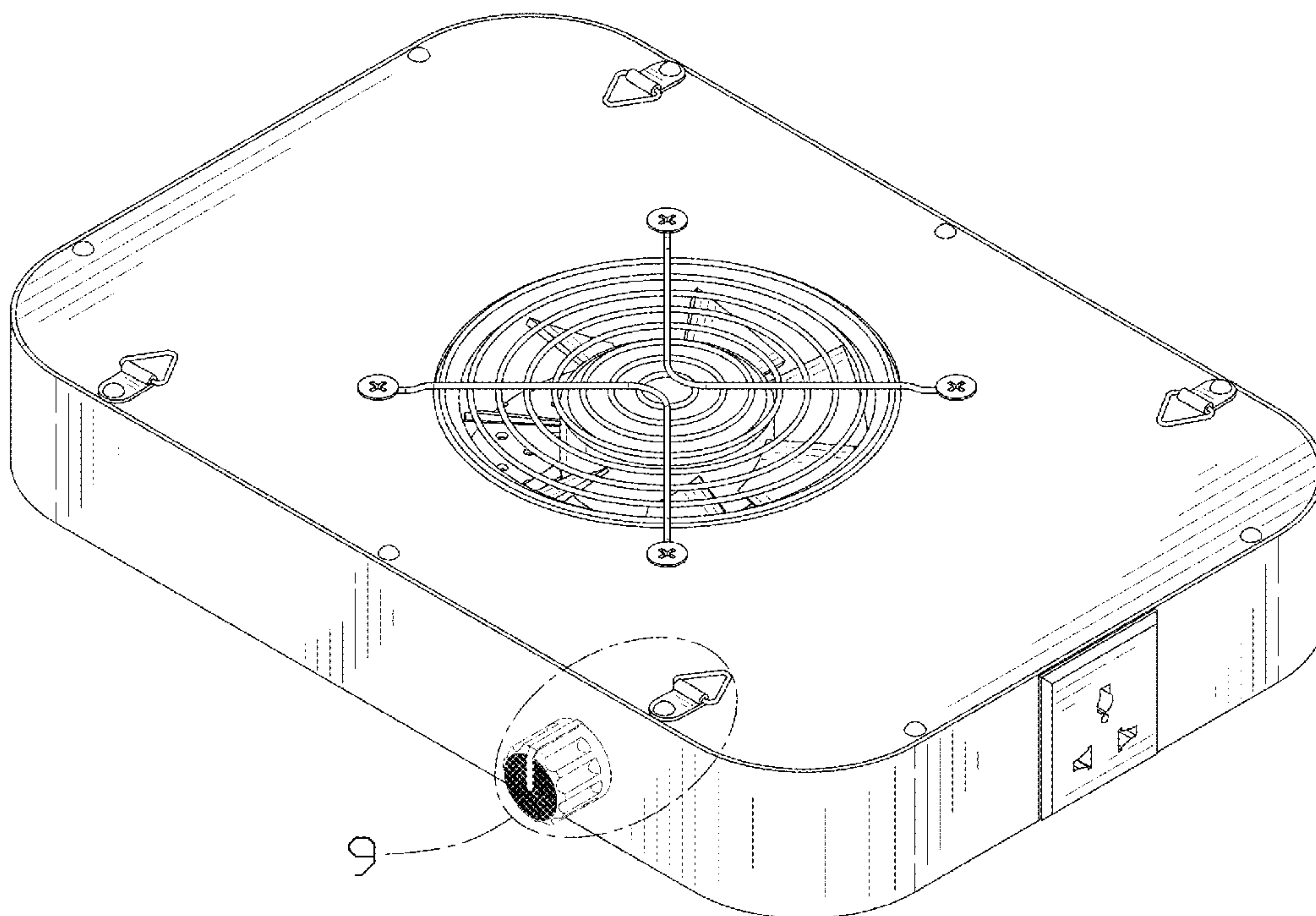
(57) **CLAIM**

The ornamental design for a plant light, as shown and described.

DESCRIPTION

FIG. 1 is a perspective view of a plant light showing my new design;
FIG. 2 is another perspective view thereof;
FIG. 3 is a front elevational view thereof;
FIG. 4 is a rear elevational view thereof;
FIG. 5 is a left side elevational view thereof;
FIG. 6 is a right side elevational view thereof;
FIG. 7 is a top plan view thereof;
FIG. 8 is a bottom plan view thereof;
FIG. 9 is an enlarged view of portion 9 shown in FIG. 1; and,
FIG. 10 is an enlarged view of portion 10 shown in FIG. 2.
The dash-dash broken lines in the drawings depict portions of the plant light that form no part of the claimed design. The dot-dash broken lines represent boundaries of the enlarged portions and form no part of the claimed design.

1 Claim, 10 Drawing Sheets



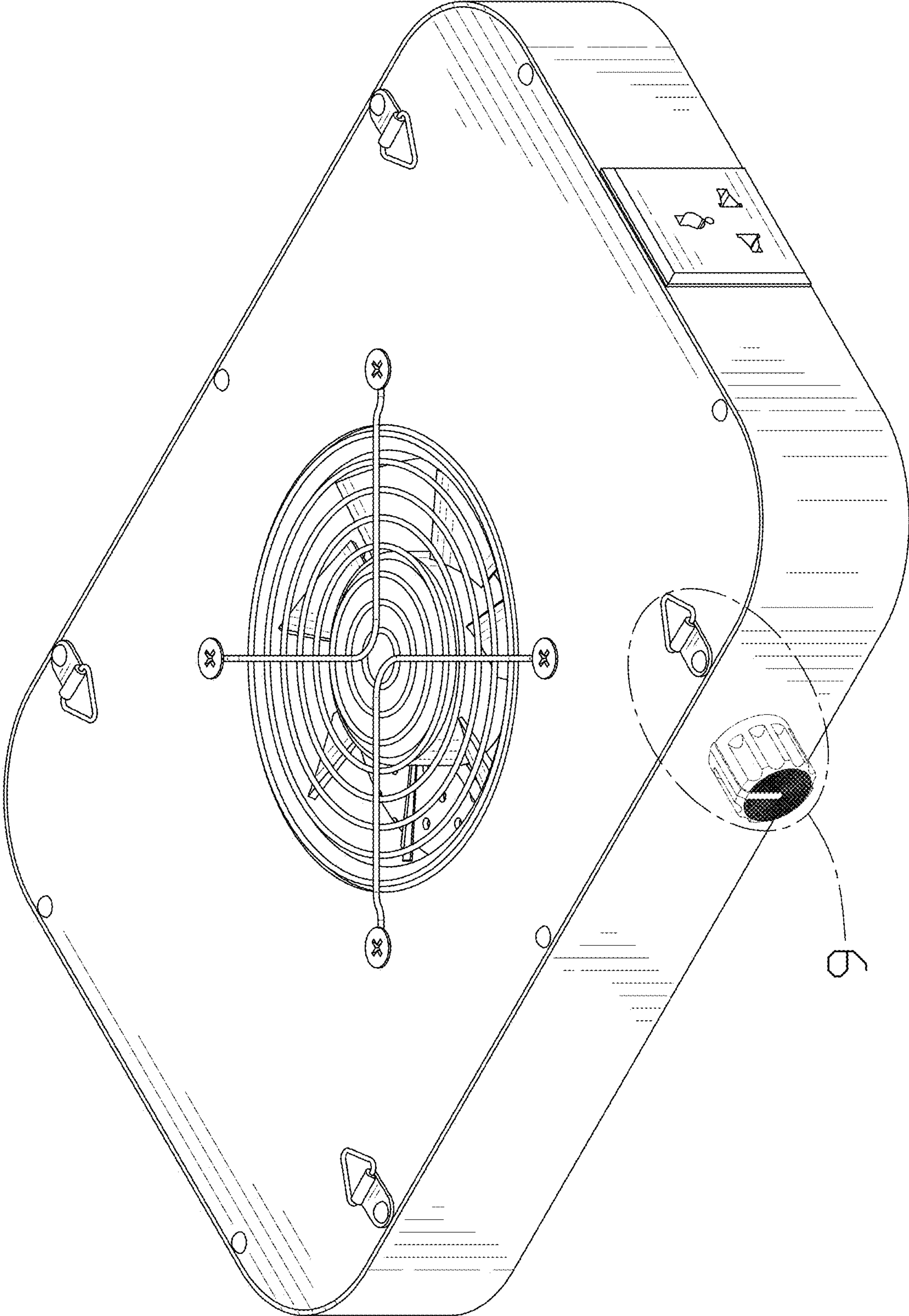


FIG. 1

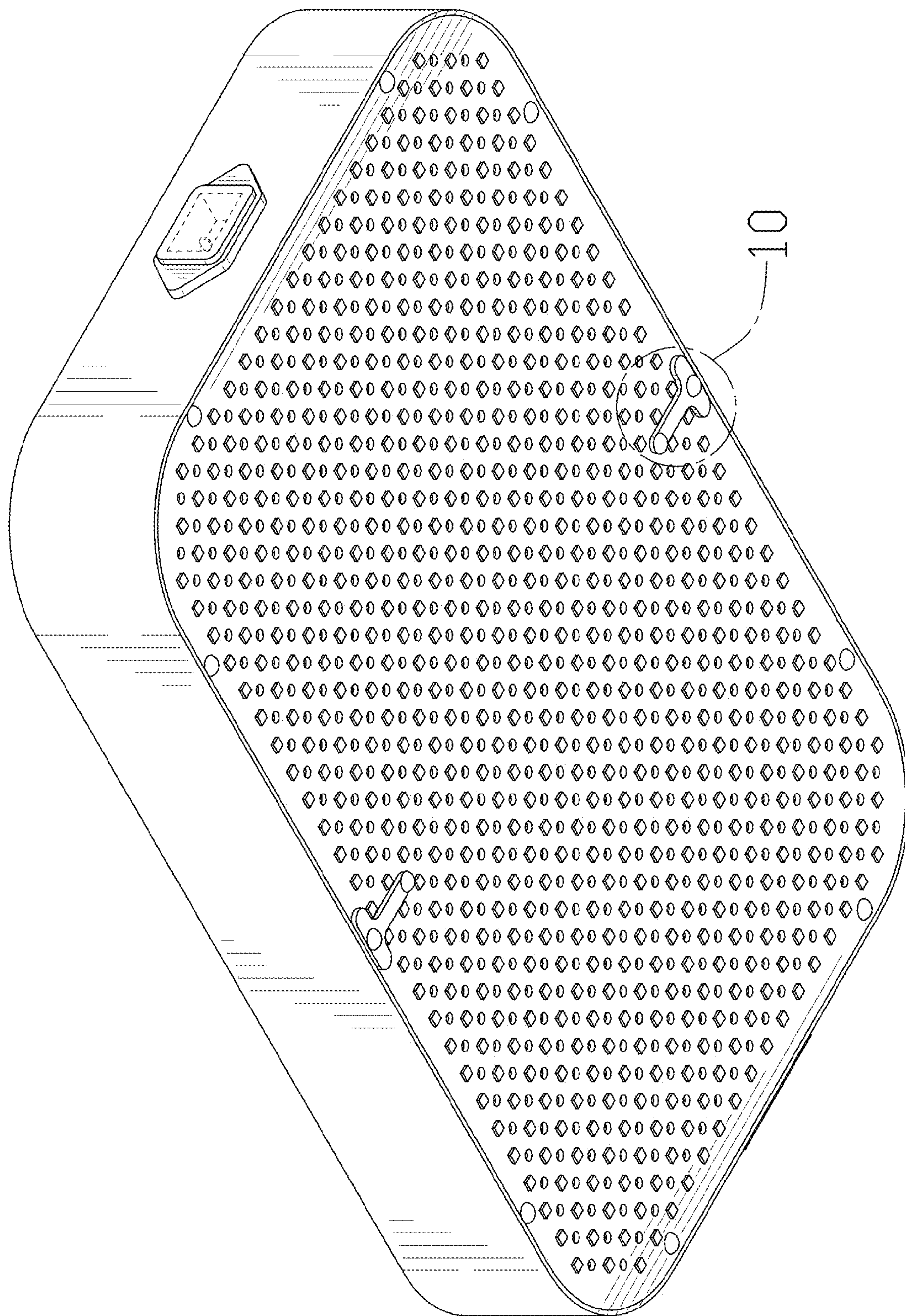


FIG. 2

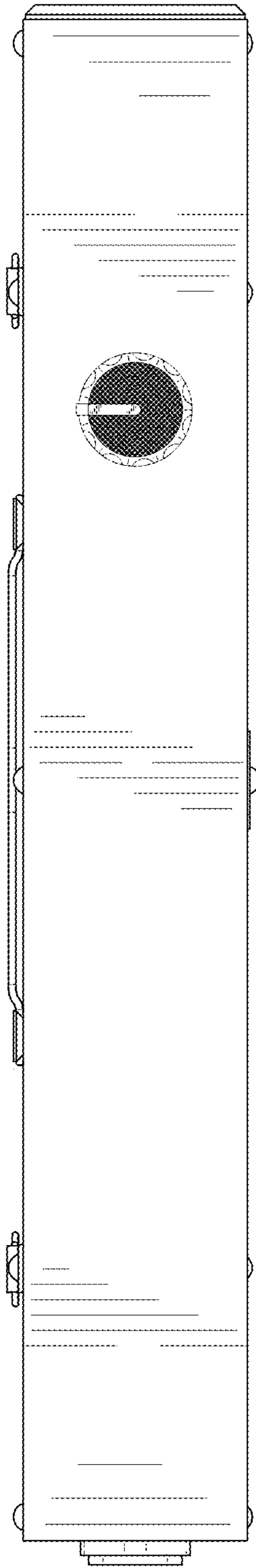


FIG. 3

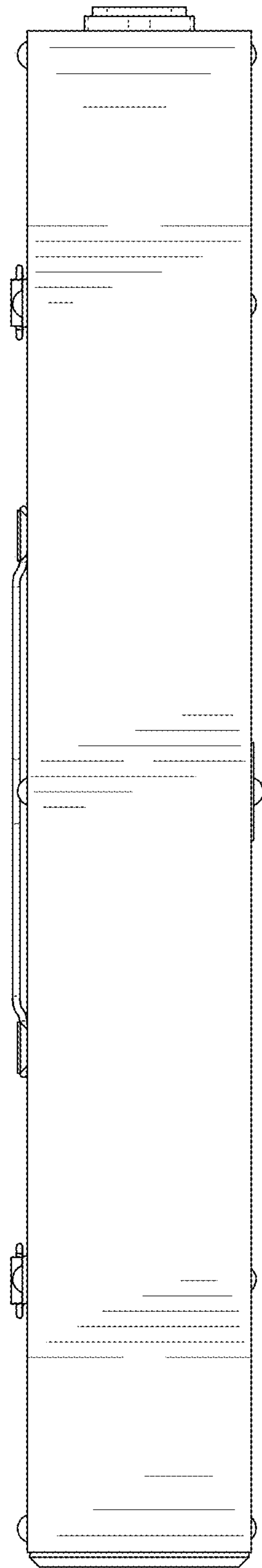


FIG. 4

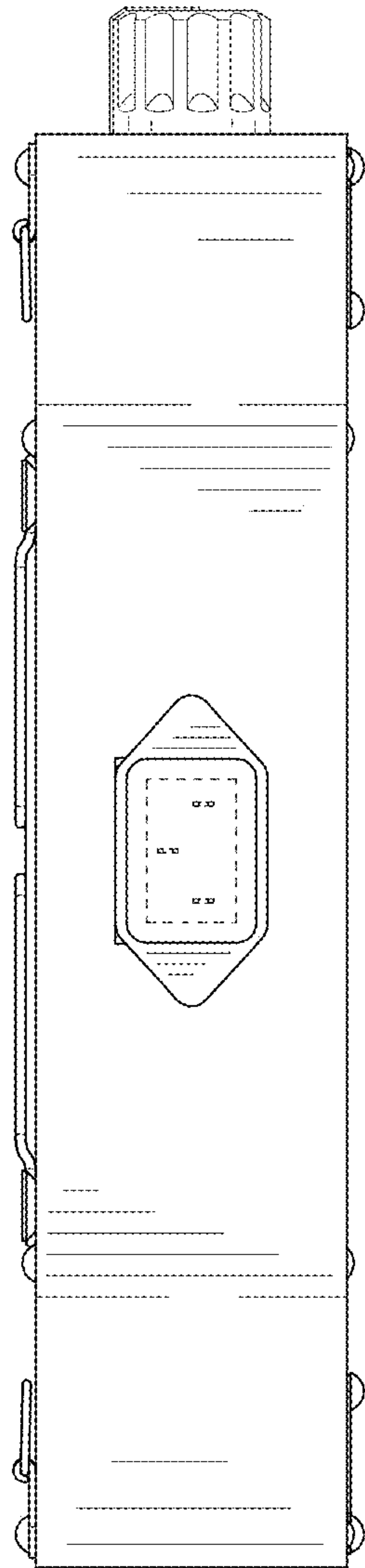


FIG. 5

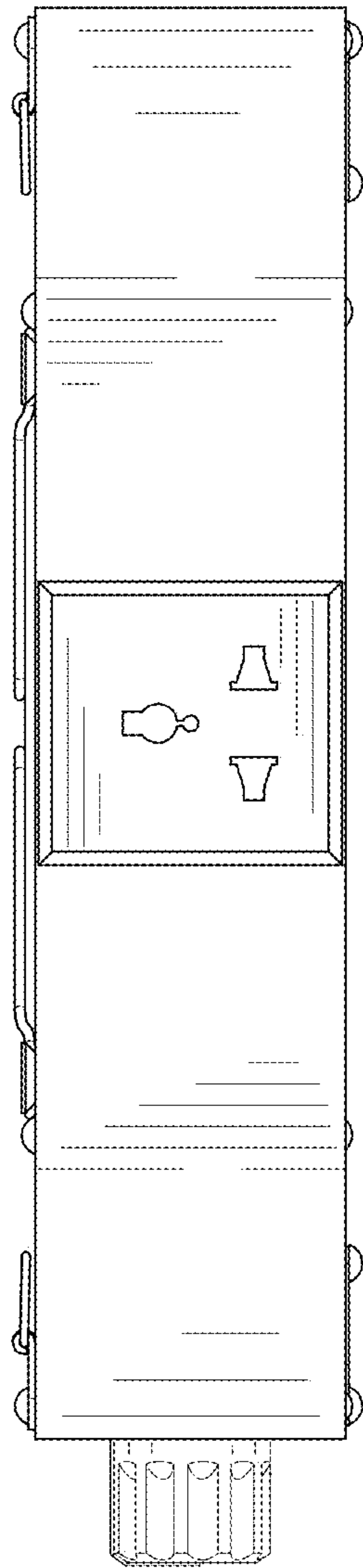


FIG. 6

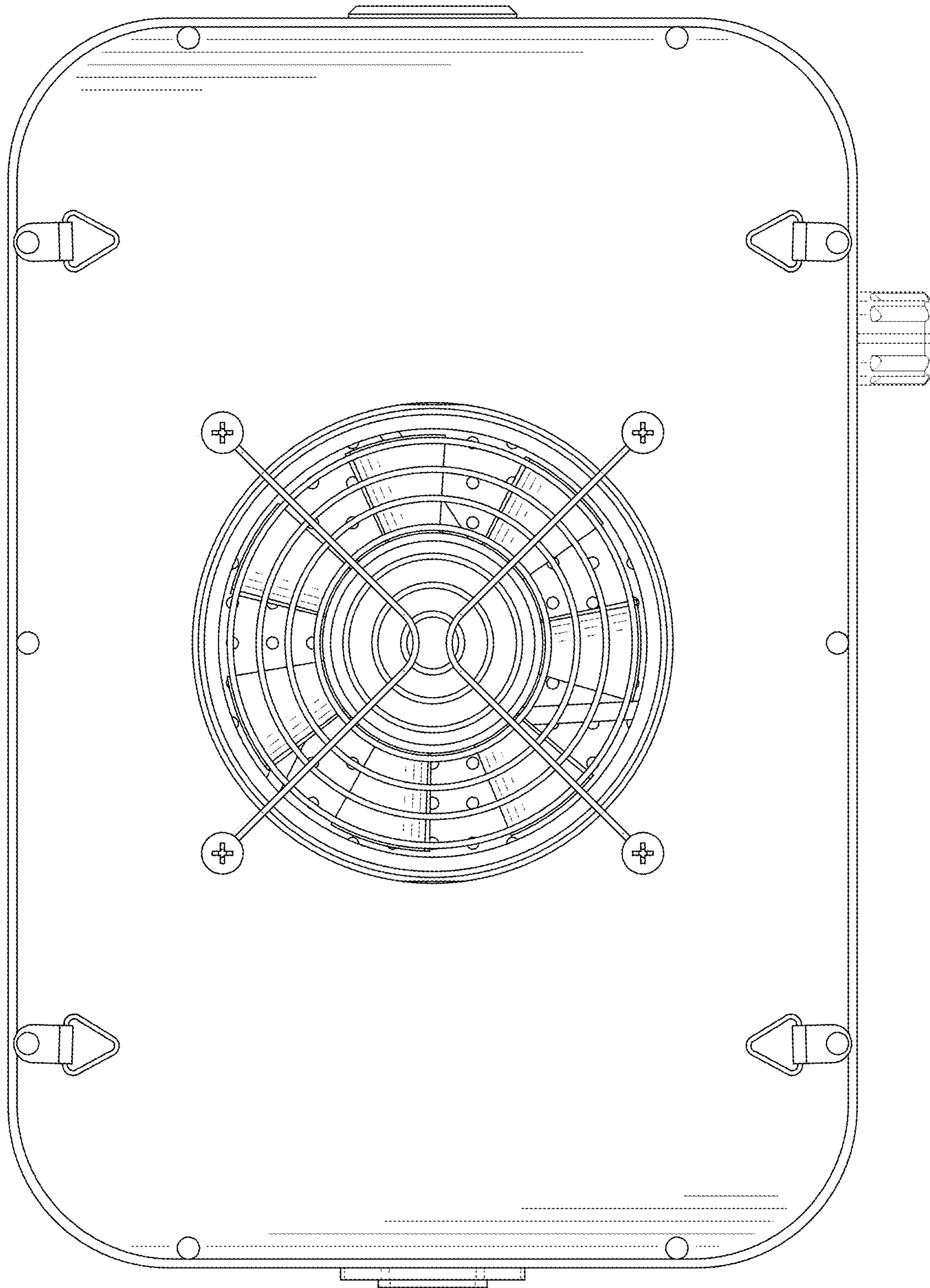


FIG. 7

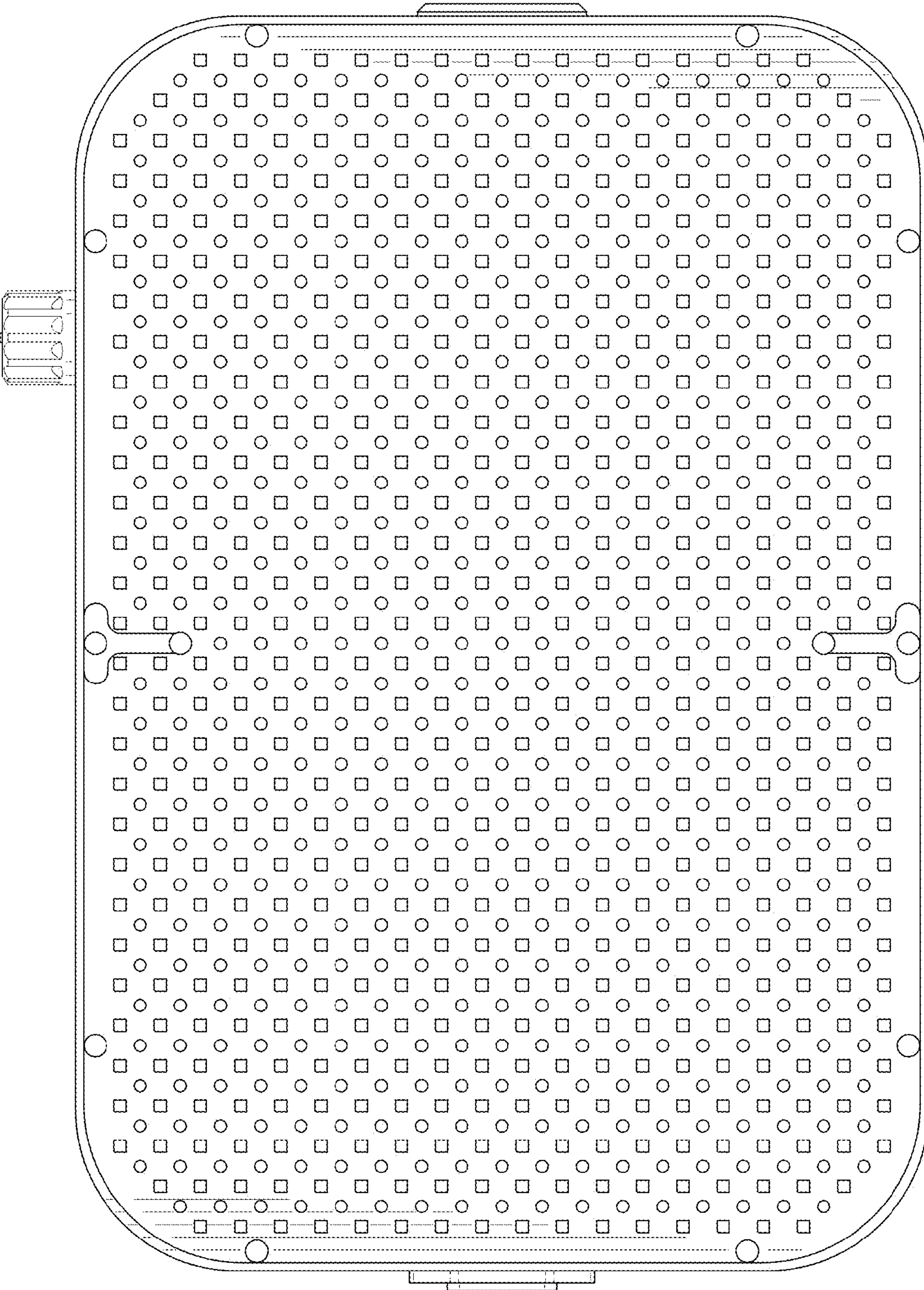


FIG. 8

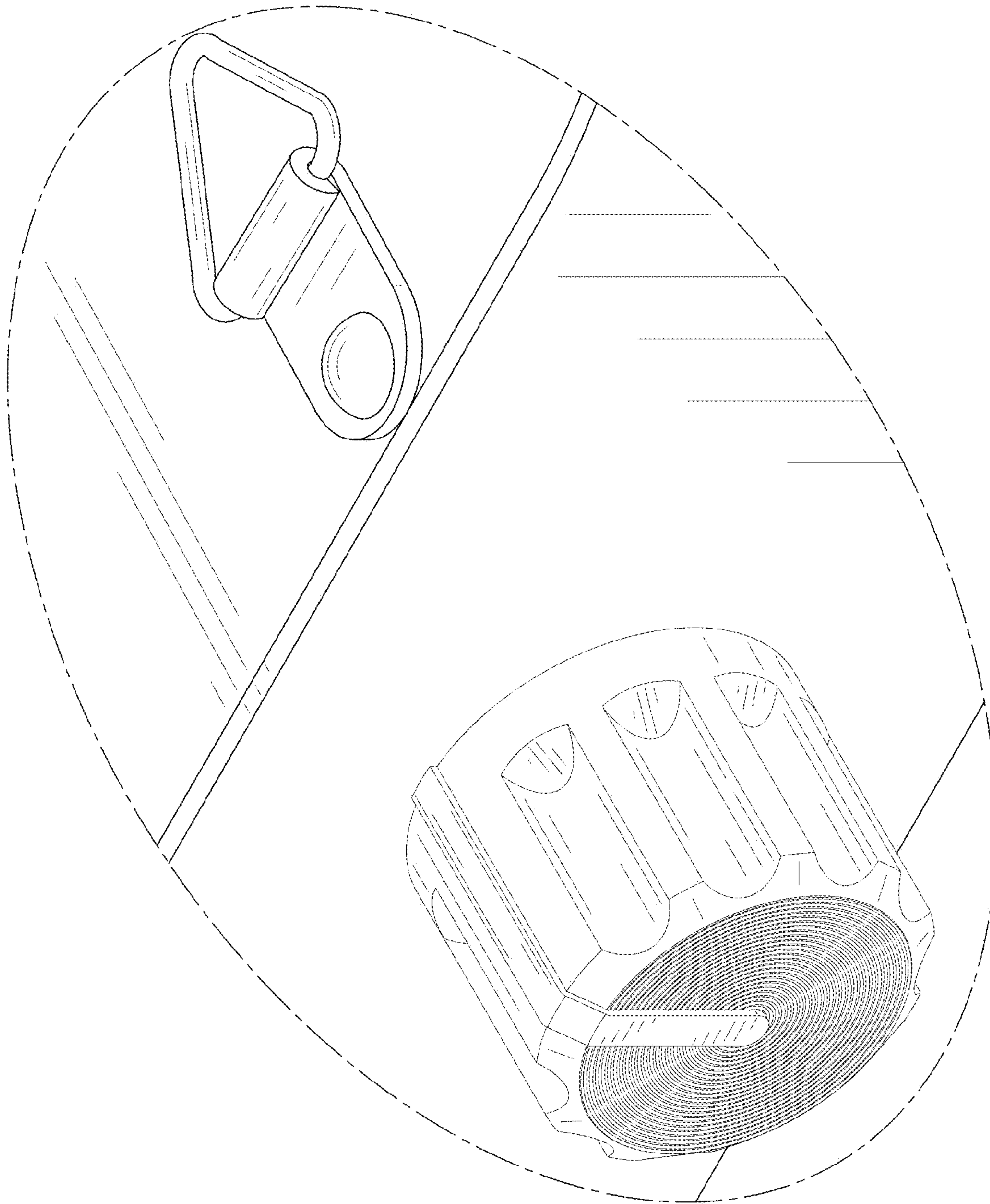


FIG. 9

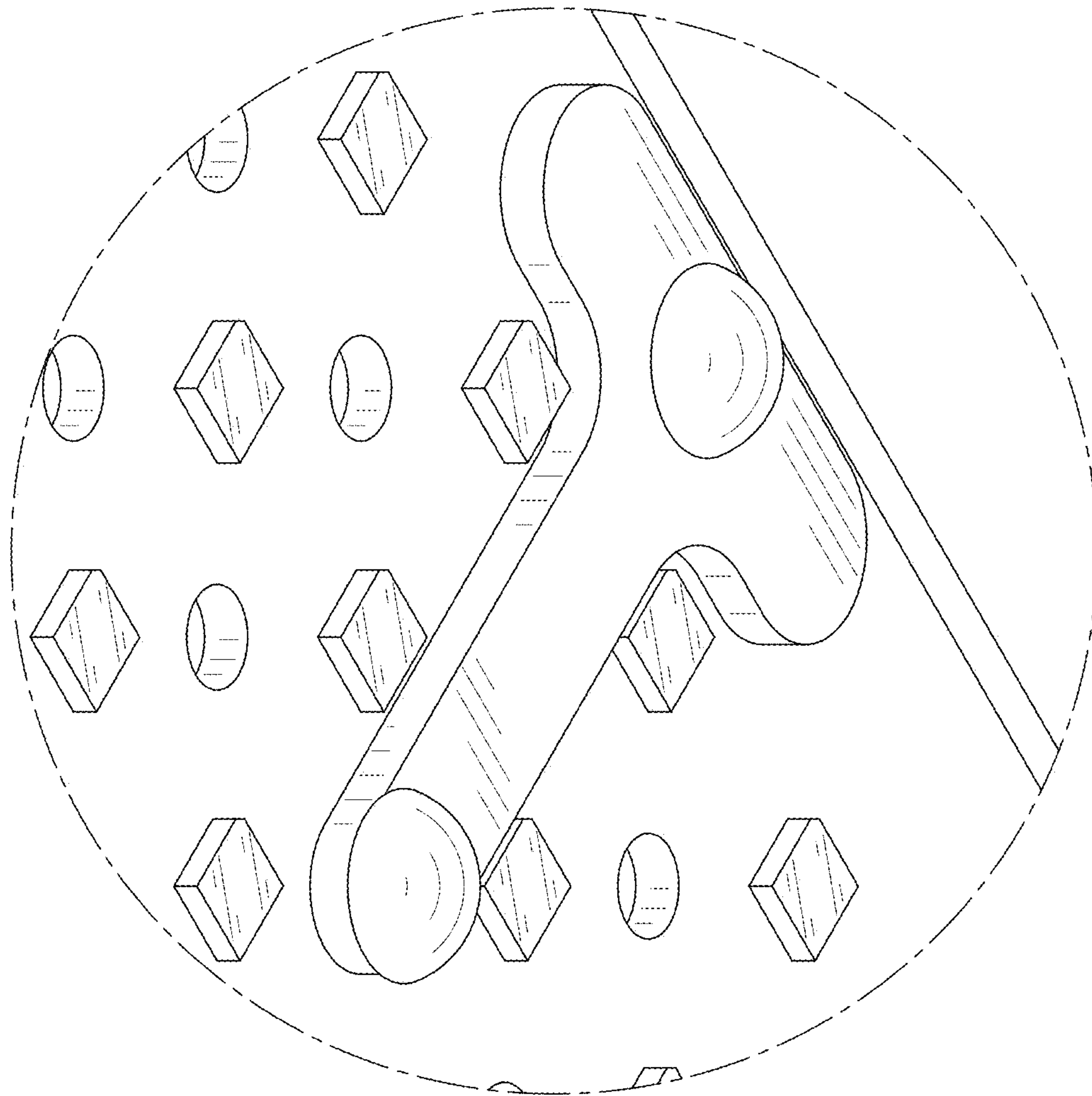


FIG. 10