



US00D953591S

(12) **United States Design Patent**  
**Pang**

(10) **Patent No.:** **US D953,591 S**

(45) **Date of Patent:** **\*\* May 31, 2022**

(54) **SCREEN BAR CLAMP LAMP**

(71) Applicant: **Zhejiang Topmb Electrical Lighting Co., Ltd.**, Shaoxing (CN)

(72) Inventor: **Lingling Pang**, Shaoxing (CN)

(73) Assignee: **ZHEJIANG TOPMB ELECTRICAL LIGHTING CO., LTD.**, Shaoxing (CN)

(\*\*) Term: **15 Years**

(21) Appl. No.: **29/692,658**

(22) Filed: **May 28, 2019**

(30) **Foreign Application Priority Data**

Apr. 15, 2019 (CN) ..... 201930169515.8

(51) **LOC (13) Cl.** ..... **26-05**

(52) **U.S. Cl.**  
USPC ..... **D26/60; D26/62; D26/109**

(58) **Field of Classification Search**

USPC ... D26/60, 85, 61, 62, 63, 92, 1, 24, 65, 93,  
D26/104, 106, 107, 108, 109

(Continued)

(56) **References Cited**

**U.S. PATENT DOCUMENTS**

D146,116 S \* 12/1946 Masterson ..... D26/63  
D147,900 S \* 11/1947 Fanelli ..... D26/60

(Continued)

**FOREIGN PATENT DOCUMENTS**

EM 007213285-0003 \* 11/2019

**OTHER PUBLICATIONS**

Pegasus LED Battery Operated Picture Light, Jun. 25, 2014, YouTube, site visited Nov. 15, 2021, url: <https://www.youtube.com/watch?v=JThdVBH9Zbs> (Year: 2014).\*

(Continued)

*Primary Examiner* — T Chase Nelson

*Assistant Examiner* — Rachel Wolfe

(74) *Attorney, Agent, or Firm* — Greensfelder, Hemker & Gale, P.C.; Richard C. Himelhoch

(57) **CLAIM**

I claim the ornamental design for a screen bar clamp lamp, as shown and described.

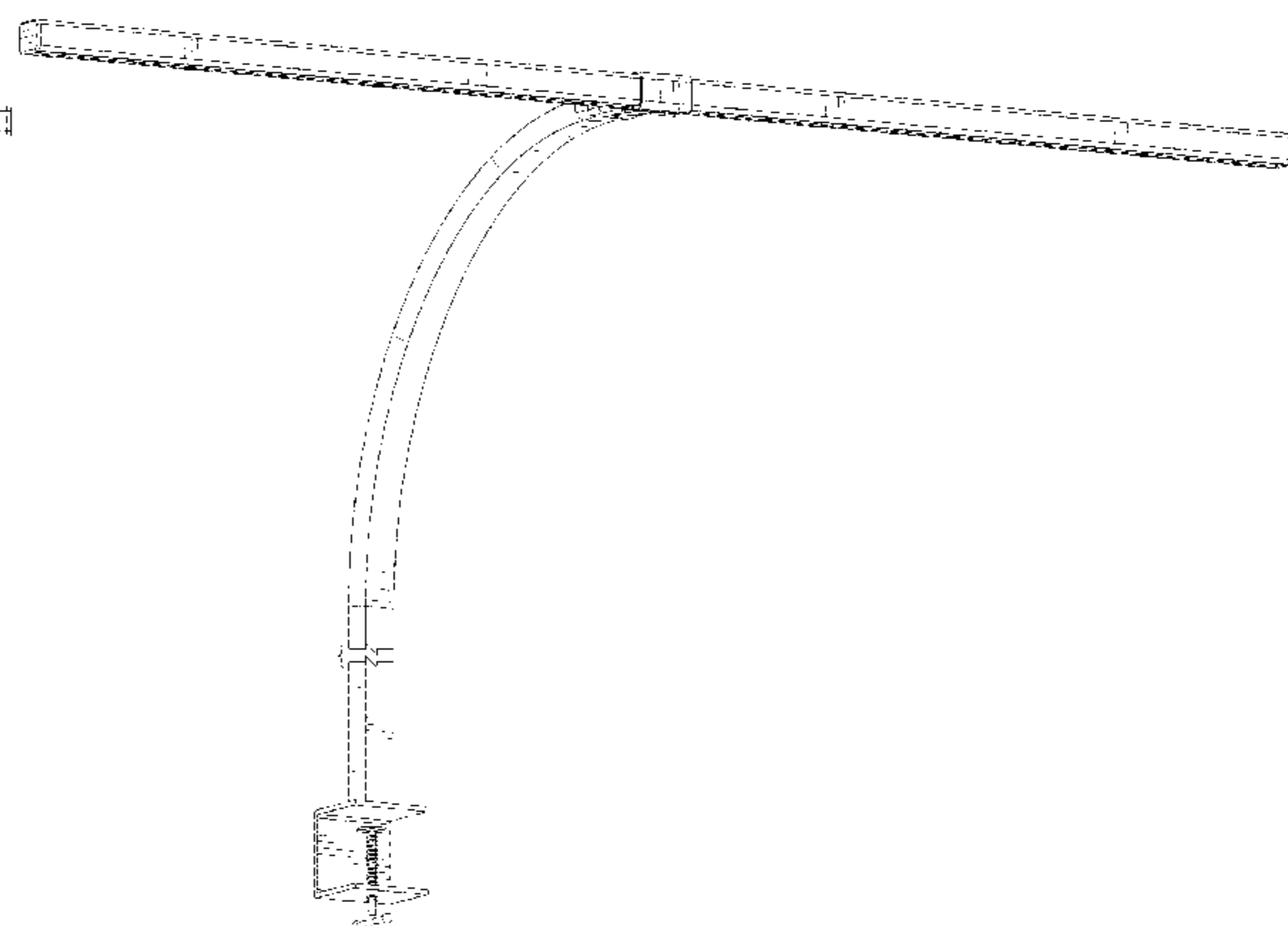
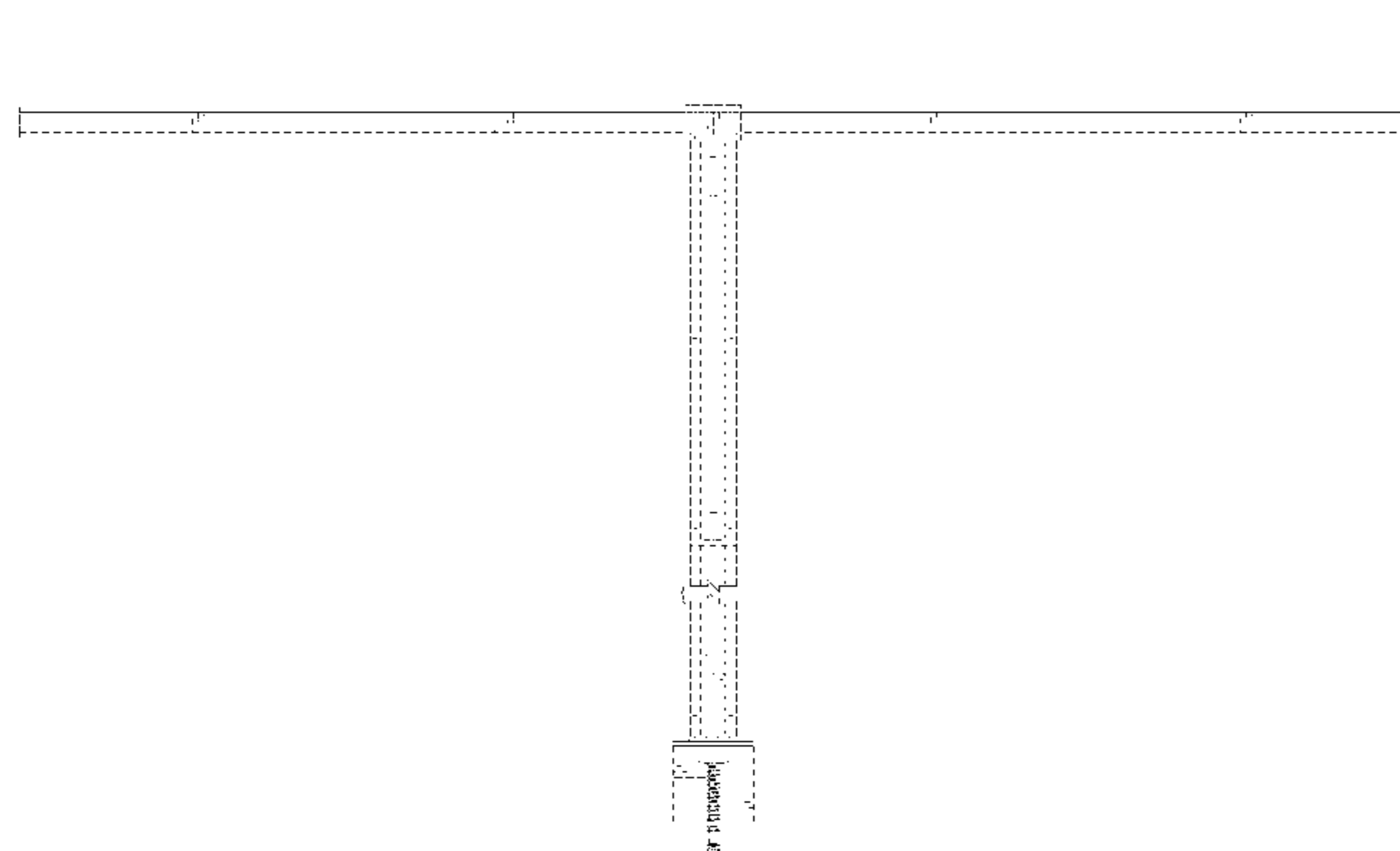
**DESCRIPTION**

FIG. 1 is a front elevational view of a screen bar clamp lamp in accordance with the present design;  
FIG. 2 is a rear elevational view of the screen bar clamp lamp of FIG. 1;  
FIG. 3 is a left side elevational view of the screen bar clamp lamp of FIG. 1;  
FIG. 4 is a right side elevational view of the screen bar clamp lamp of FIG. 1;  
FIG. 5 is a top plan view of the screen bar clamp lamp of FIG. 1;  
FIG. 6 is a bottom plan view of the screen bar clamp lamp of FIG. 1;  
FIG. 7 is a perspective view of a front side of the screen bar clamp lamp of FIG. 1;  
FIG. 8 is a perspective view of a rear side of the screen bar clamp lamp of FIG. 1; and,  
FIG. 9 is a lower perspective view of the front side of the screen bar clamp lamp of FIG. 1.

Directional terms (such as top, bottom, etc.) are made with regard to the screen bar clamp lamp as shown and positioned in the drawings and are not intended to limit the scope of the invention.

The screen bar clamp lamp is shown with symbolic jagged break lines. The appearance of any portion of the article between the break lines forms no part of the claimed design.

**1 Claim, 9 Drawing Sheets**



(58) **Field of Classification Search**

CPC ..... F21L 4/04; F21S 8/00; F21S 8/043; F21S 8/003; F21V 14/00; F21V 14/02; F21V 15/01; F21V 21/00; F21V 21/088; F21V 21/14; F21V 21/28; F21V 21/08; F21W 2131/30; G03B 15/02

See application file for complete search history.

(56) **References Cited**

U.S. PATENT DOCUMENTS

D176,549 S \* 1/1956 Mugnai ..... D26/65  
 D176,550 S \* 1/1956 Mugnai ..... D26/63  
 D316,907 S \* 5/1991 Barbaglia ..... D26/62  
 D351,920 S \* 10/1994 Nagy ..... D26/65  
 D522,681 S \* 6/2006 Chen ..... F16M 11/041  
 D26/107  
 D525,382 S \* 7/2006 Chen ..... F21V 23/0435  
 D26/65  
 D564,686 S \* 3/2008 Anderson ..... H05B 47/18  
 D26/60  
 7,481,554 B2 \* 1/2009 Anderson ..... F21L 4/04  
 362/183  
 D641,902 S \* 7/2011 Chan ..... D26/60  
 D690,861 S \* 10/2013 Huang ..... D26/65  
 D731,699 S \* 6/2015 Fishman ..... D26/106  
 D784,580 S \* 4/2017 Smith ..... D26/60  
 D806,301 S \* 12/2017 Waldmann ..... D26/63

D811,645 S \* 2/2018 Kim ..... F16M 13/022  
 D26/107  
 D893,791 S \* 8/2020 Lin ..... D26/87  
 D901,739 S \* 11/2020 Wu ..... F21L 4/04  
 D26/60  
 D907,277 S \* 1/2021 Jiang ..... D26/87  
 2004/0012344 A1 \* 1/2004 Bibi ..... H05B 47/18  
 315/291  
 2004/0246720 A1 \* 12/2004 Koski ..... F21V 23/0435  
 362/253  
 2006/0256584 A1 \* 11/2006 Paoluccio ..... F21S 2/005  
 362/652  
 2010/0207003 A1 \* 8/2010 Bruno ..... F16M 13/022  
 248/231.21  
 2018/0363889 A1 \* 12/2018 Yen ..... F21V 19/009  
 2019/0346129 A1 \* 11/2019 Yang ..... F21V 21/22  
 2021/0088179 A1 \* 3/2021 Pang ..... F16M 11/041

OTHER PUBLICATIONS

PHIVE LED Desk Lamp, Jan. 16, 2019, Amazon.com, site visited Nov. 15, 2021, url: <https://www.amazon.com/dp/B07MHH9Q7B> (Jan. 2019).  
 EYOCEAN LED Desk Lamp with Clamp, Jan. 16, 2020, Amazon.com, site visited Nov. 22, 2021, url: <https://www.amazon.com/dp/B083XJLWND> (Year: 2020).\*

\* cited by examiner

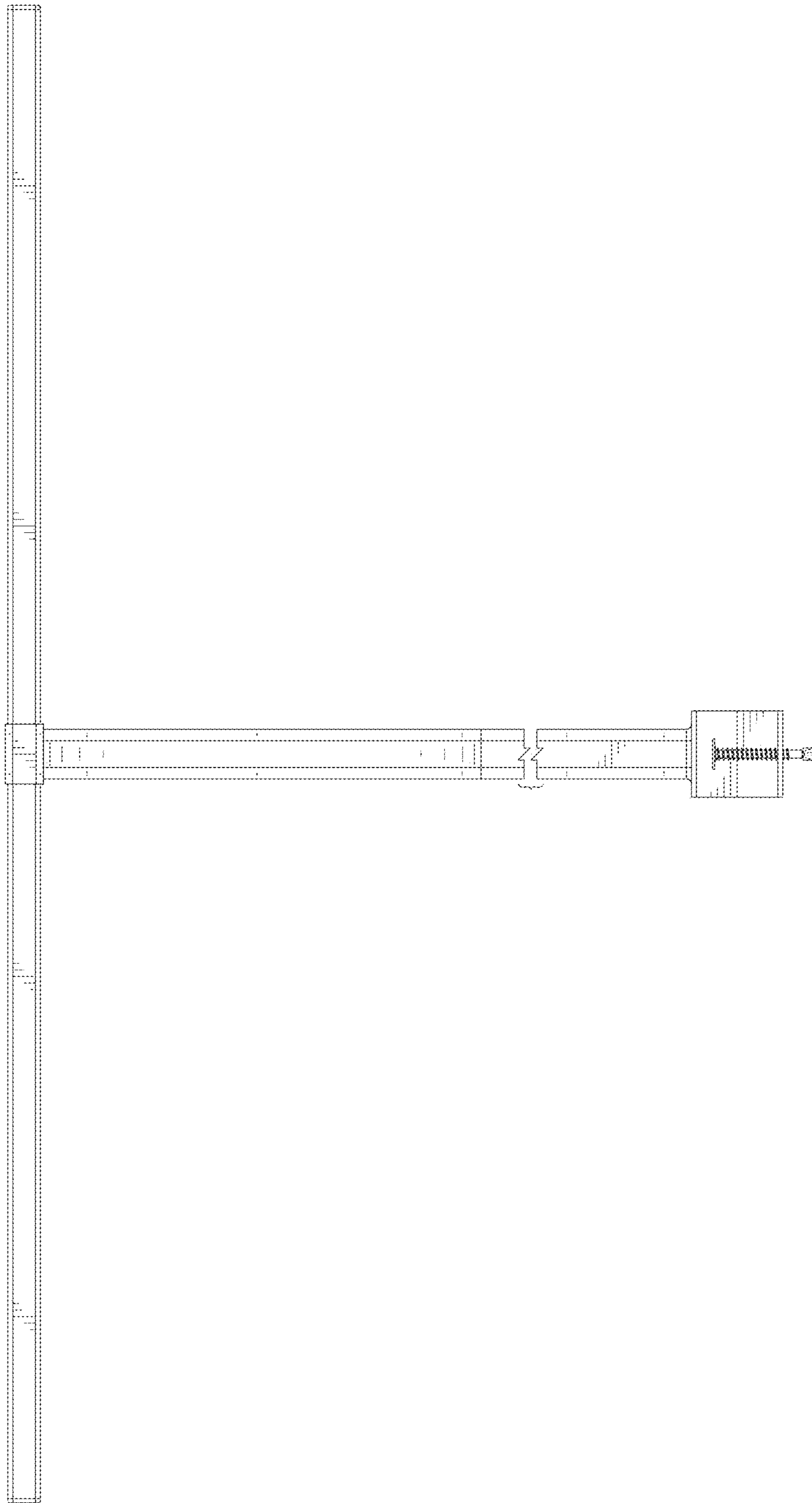


FIG. 1

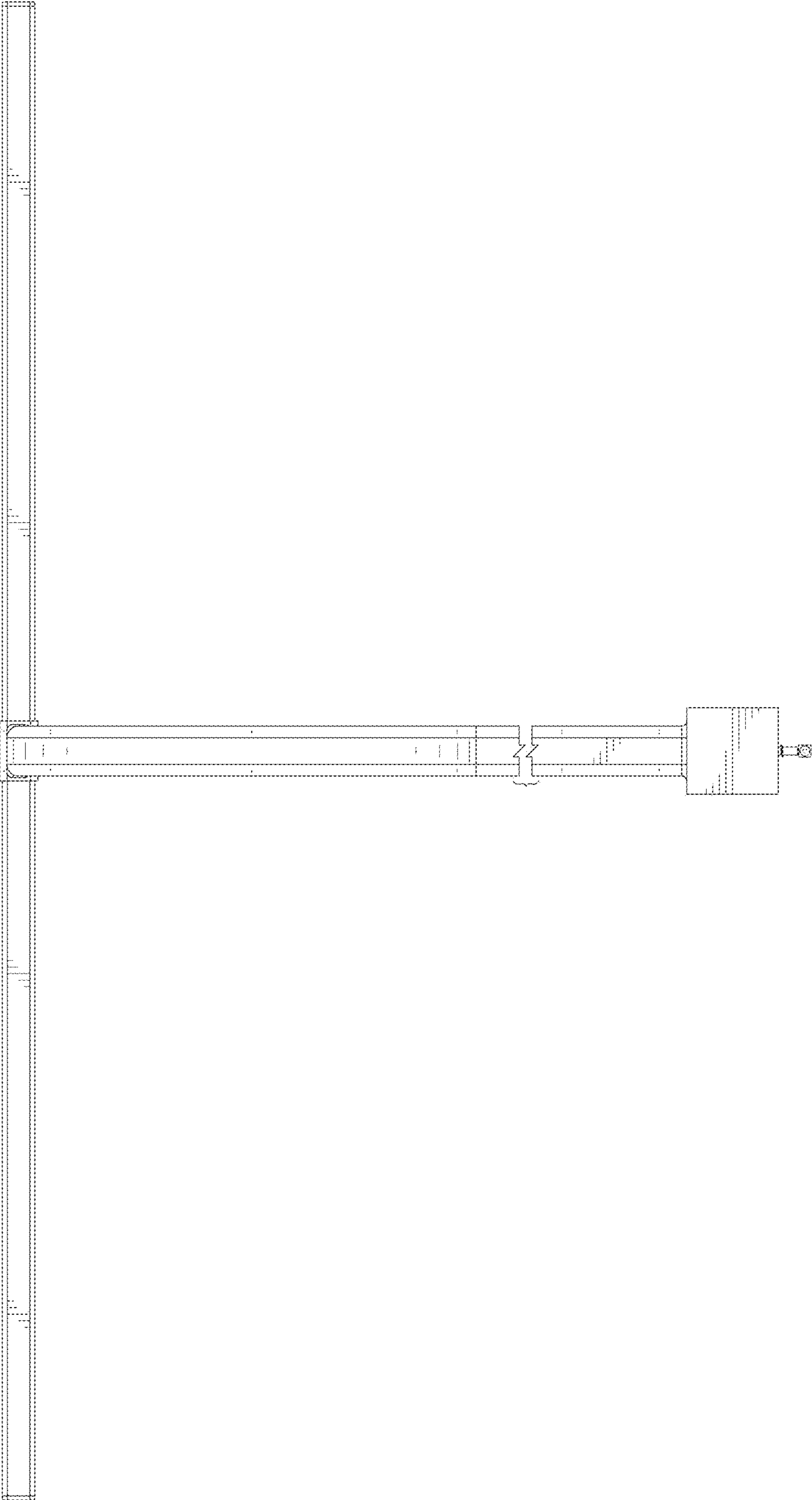


FIG.2

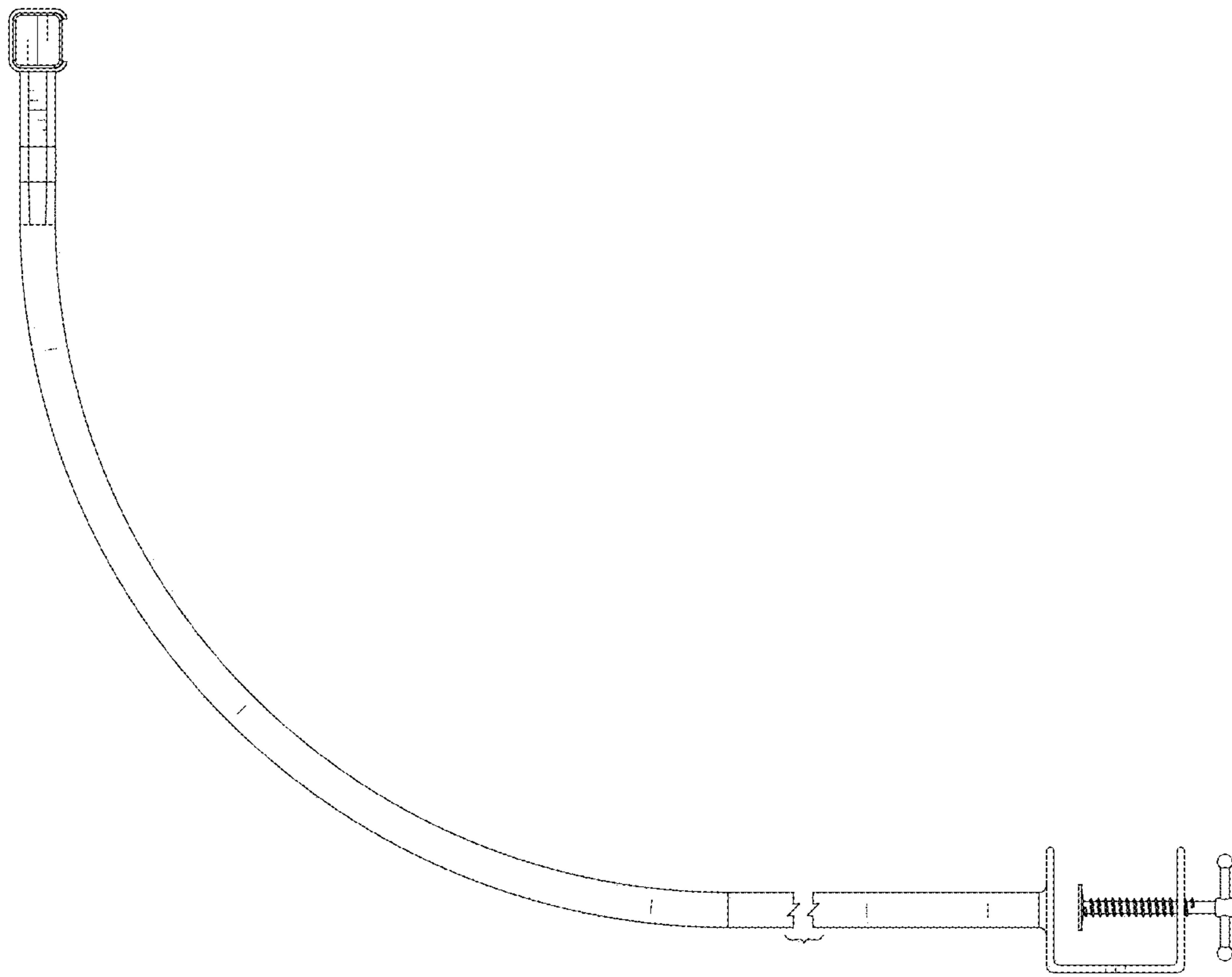


FIG.3

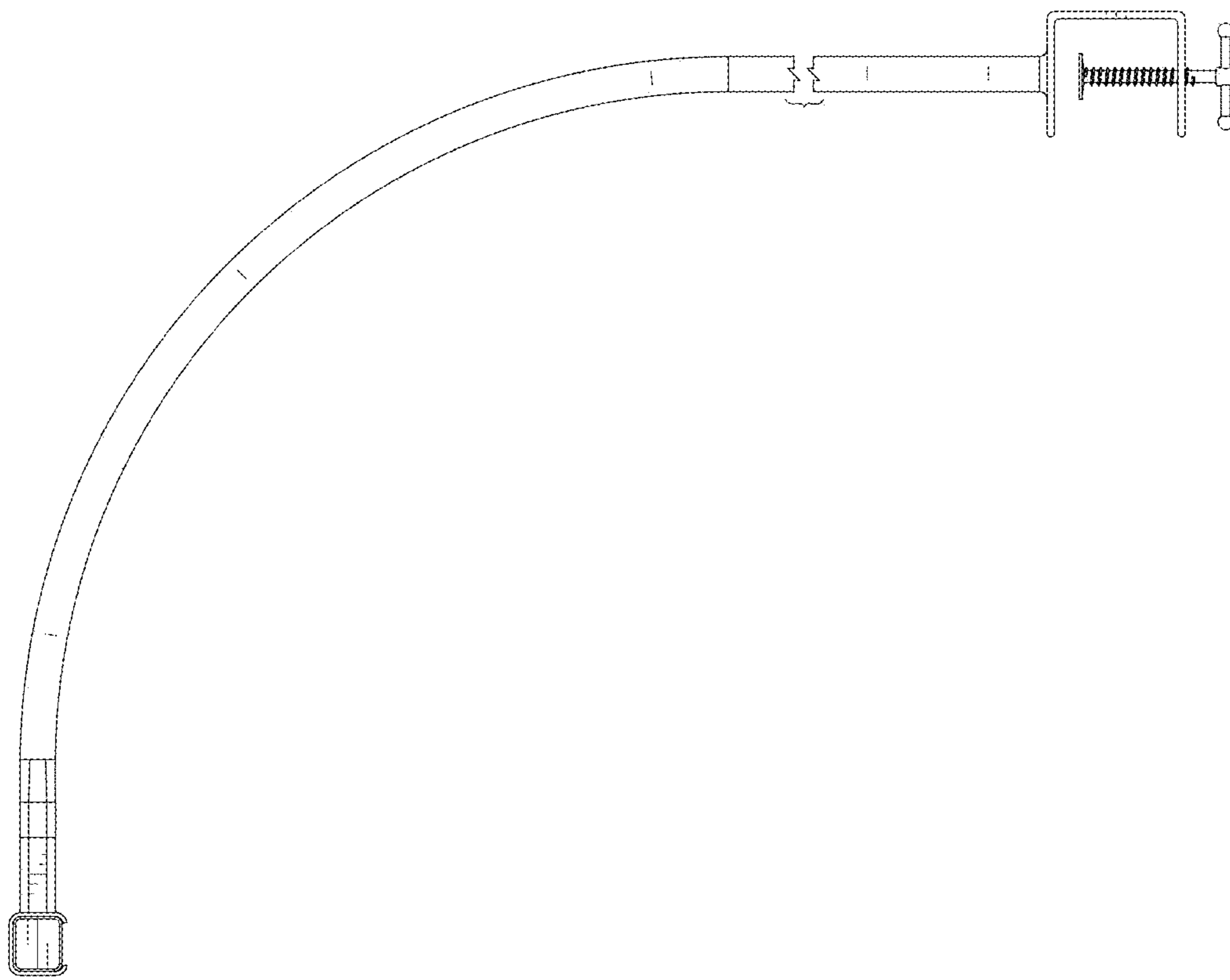


FIG.4

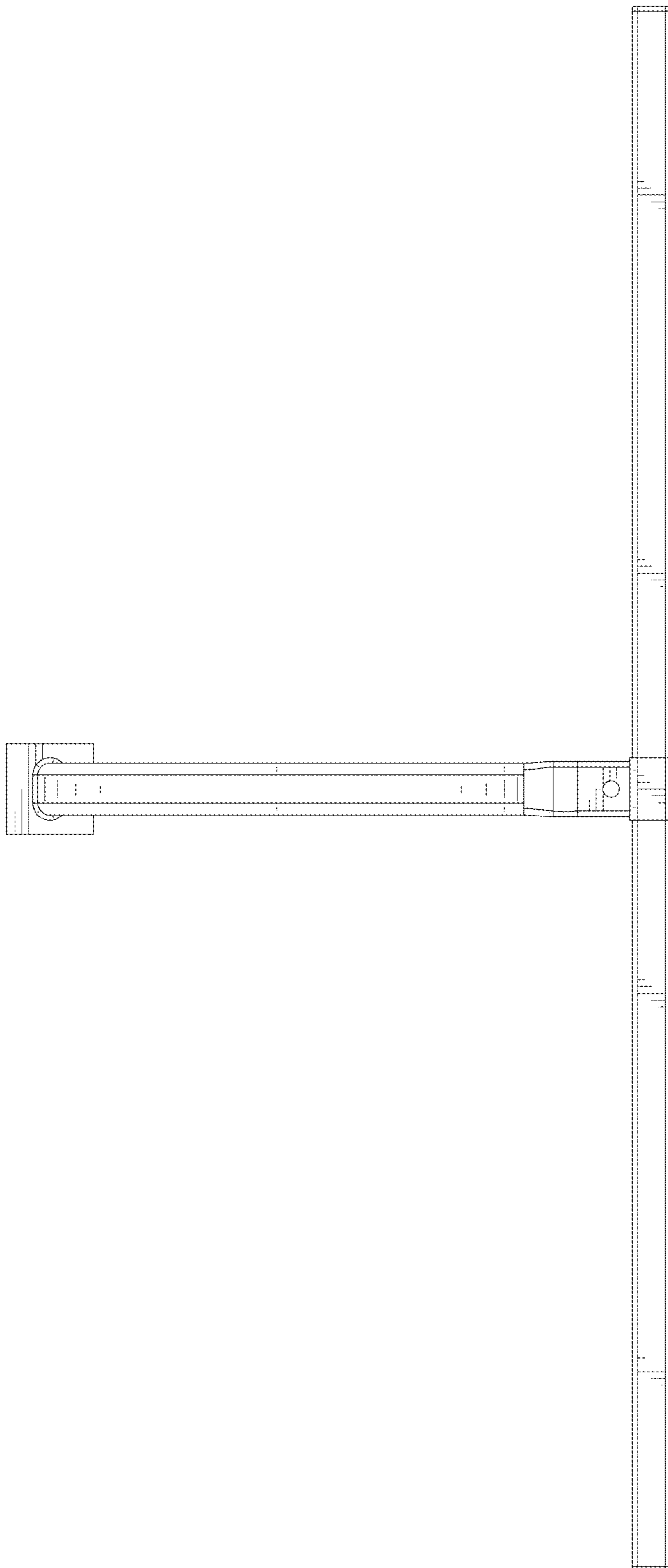


FIG. 5

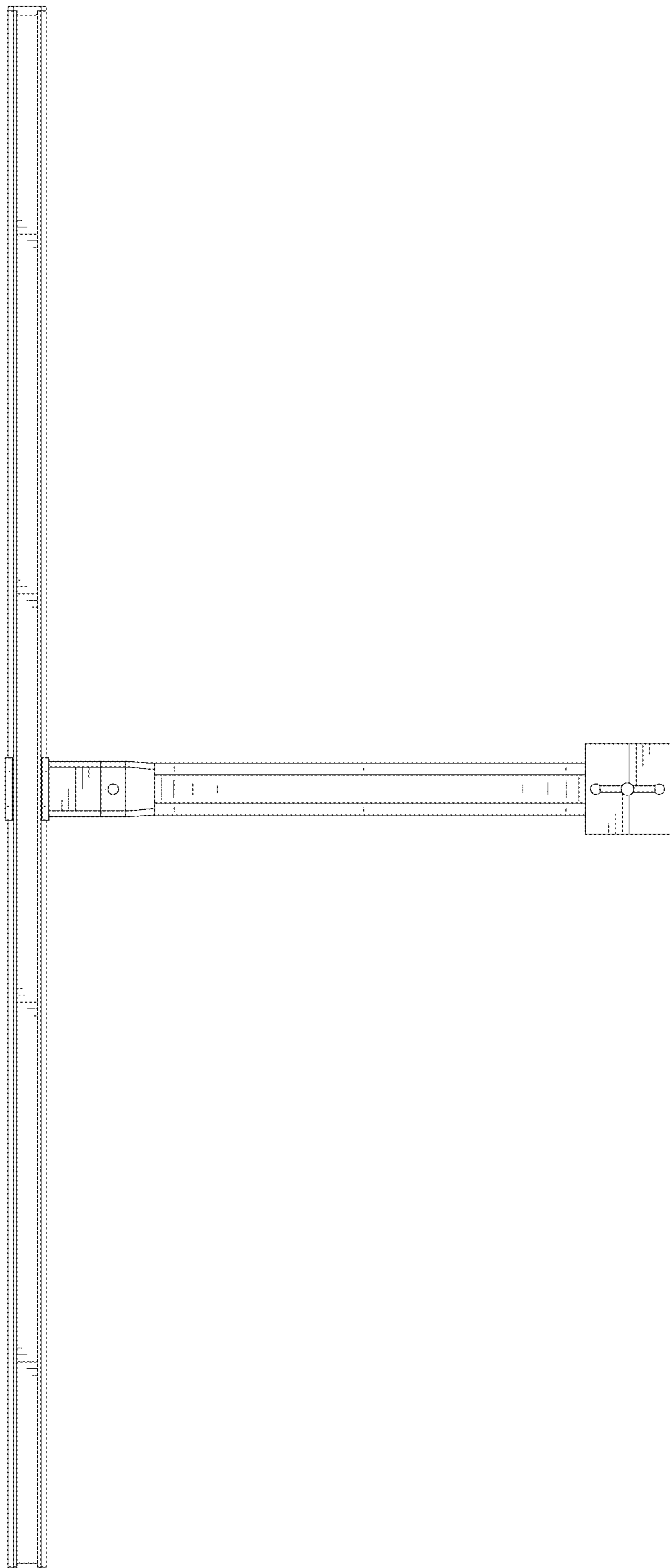


FIG. 6



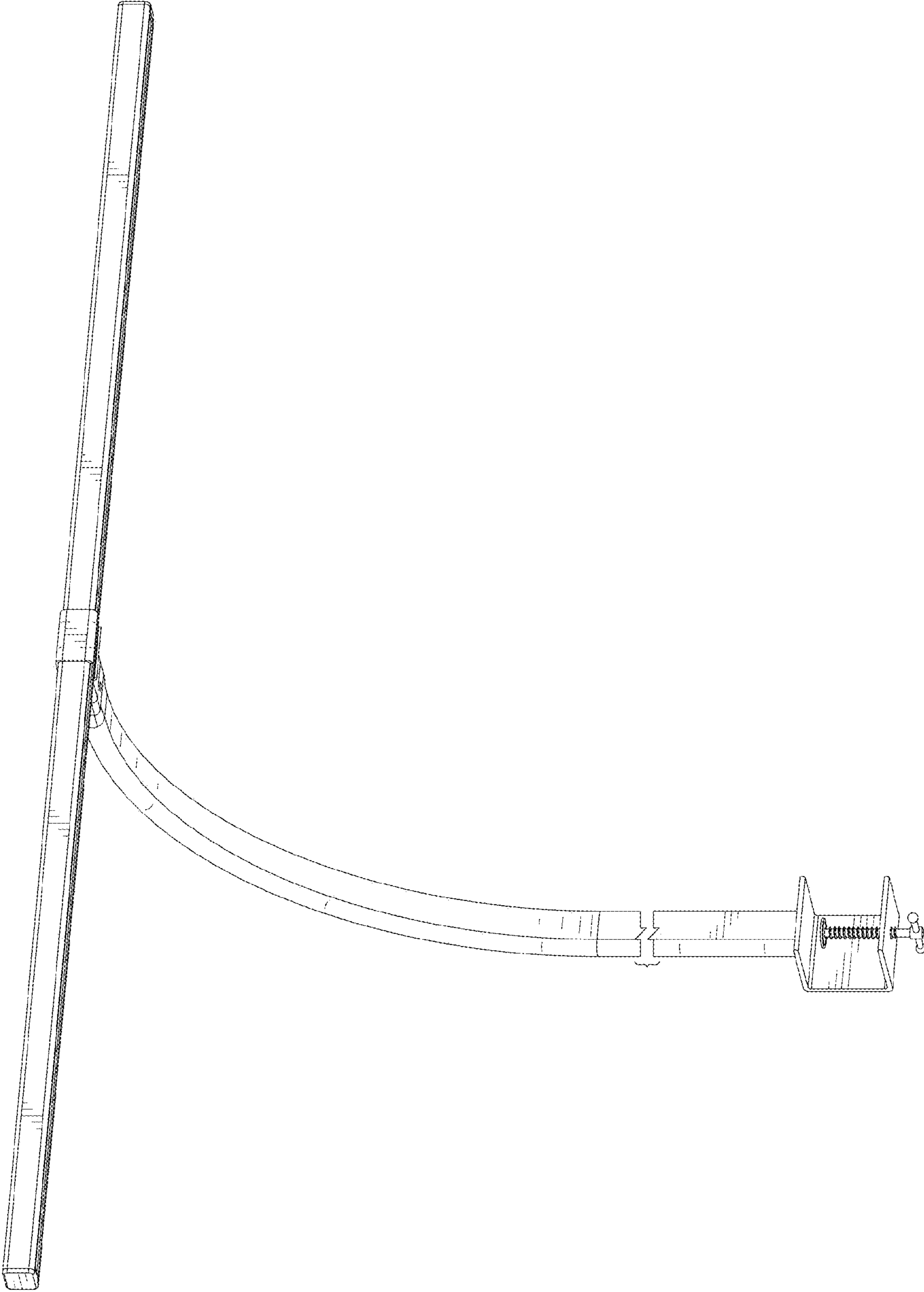


FIG.7

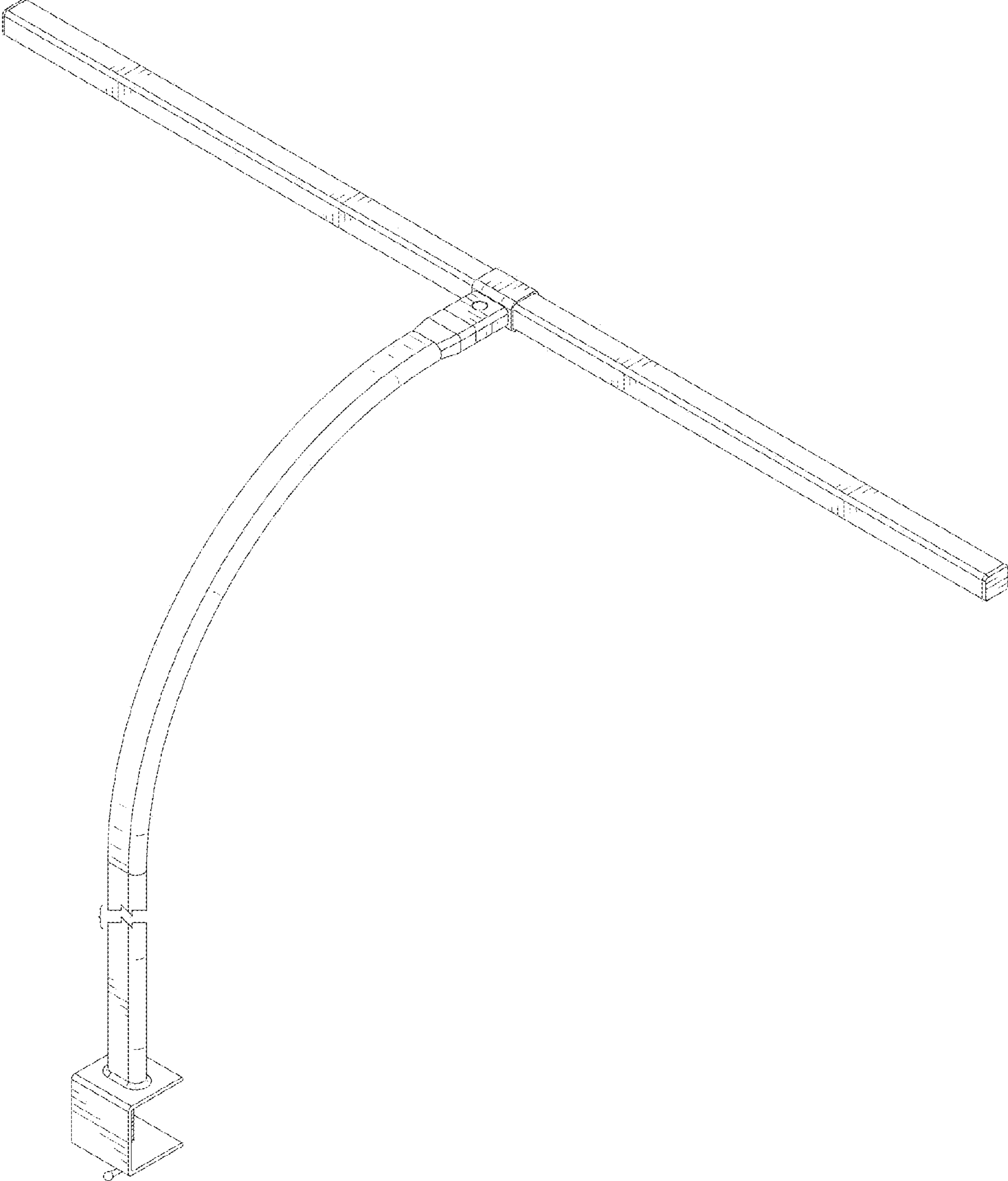


FIG.8

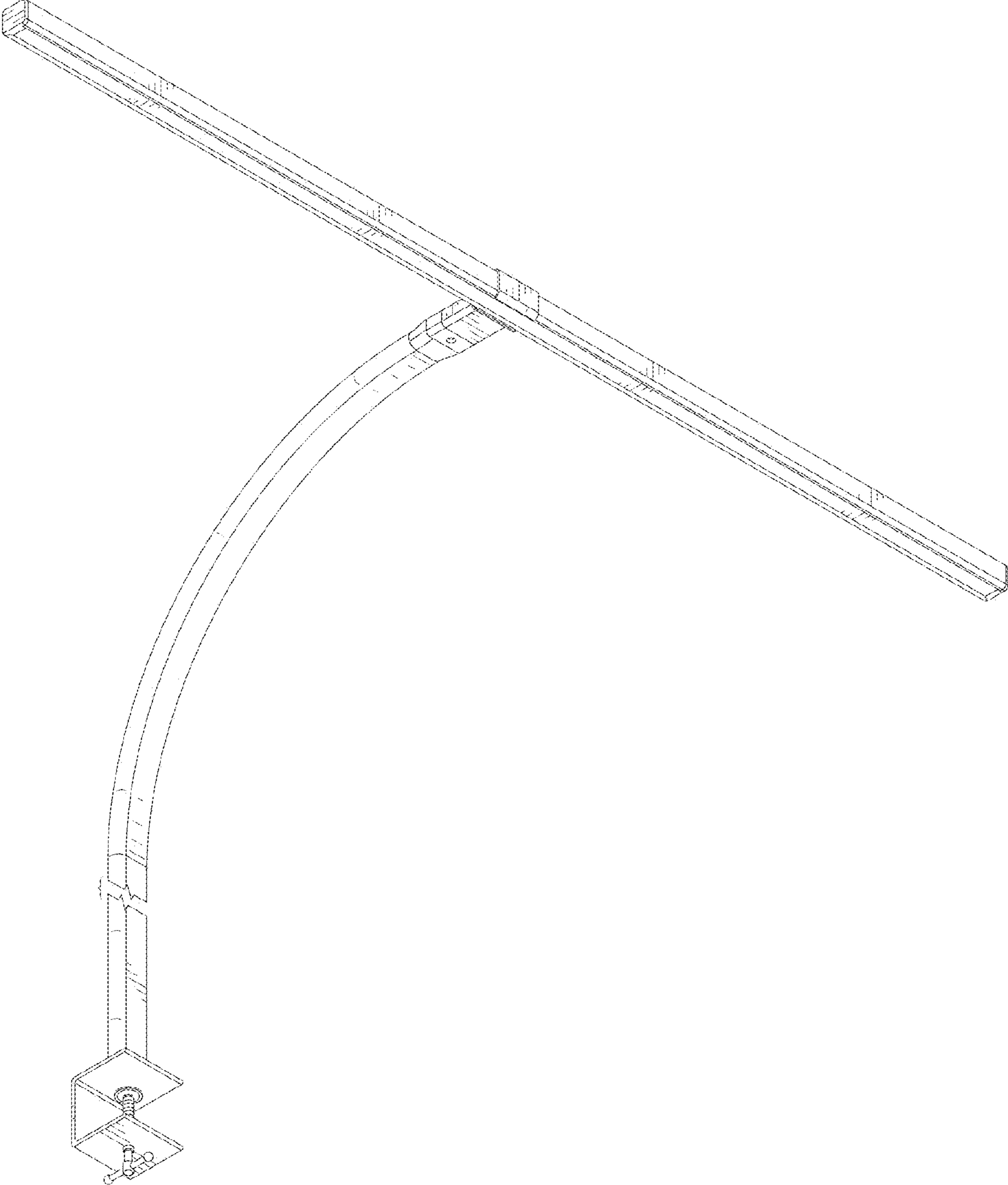


FIG.9