



US00D953589S

(12) **United States Design Patent**  
**Zhang**

(10) **Patent No.:** **US D953,589 S**  
(45) **Date of Patent:** **\*\* May 31, 2022**

(54) **FLASHLIGHT**

(71) Applicant: **Yong Zhang**, Ningbo (CN)

(72) Inventor: **Yong Zhang**, Ningbo (CN)

(\*\*) Term: **15 Years**

(21) Appl. No.: **29/768,814**

(22) Filed: **Feb. 1, 2021**

(51) **LOC (13) Cl.** ..... **26-02**

(52) **U.S. Cl.**  
USPC ..... **D26/49**

(58) **Field of Classification Search**

USPC ..... D26/24, 37-52, 113, 118-119, 138  
CPC ..... F21Y 2115/10; F21Y 2113/13; F21Y  
2103/10; F21Y 2101/00; F21Y 2107/40;  
F21Y 2105/10; F21Y 2105/18; F21Y  
2113/00; F21Y 2113/10; F21Y 2113/17;  
F21Y 2113/20; F21L 4/005; F21L 4/027;  
F21L 4/085; F21L 4/08; F21L 4/045;  
F21L 4/00; F21L 4/02; F21L 4/022; F21L  
4/04; F21L 4/025; F21L 13/00; F21L  
14/02; F21L 2/00; F21V 23/0414; F21V  
23/0428; F21V 21/0965; F21V 23/0421;  
F21V 15/01; F21V 21/0885; F21V  
21/406; F21V 23/0407; F21V 23/06;  
F21V 33/0064; F21V 33/0084; F21V  
14/025; F21V 23/003; F21V 23/04; F21V  
14/065; F21V 21/084; F21V 21/08; F21V  
21/30; F21V 23/0435; F21V 31/00; F21V  
31/005; F21V 33/0076; F21V 33/008;  
F21V 5/006; F21V 7/0075; F21V 14/045;  
F21V 15/012; F21V 17/12; F21V 19/02;  
F21V 21/0816; F21V 21/0925; F21V  
23/0464; F21V 23/0471; F21V 5/04;  
F21V 13/045; F21V 17/002; F21V  
21/096; F21V 21/145; F21V 23/023;  
F21V 23/0442; F21V 29/70; F21V  
33/0068; F21V 3/00; F21V 9/083; F21V  
9/20; F21V 13/14; F21V 14/04; F21V  
14/06; F21V 15/00; F21V 17/02; F21V  
17/06; F21V 17/10; F21V 17/105; F21V

17/107; F21V 19/001; F21V 19/047;  
F21V 21/00; F21V 21/002; F21V 21/06;  
F21V 21/14; F21V 21/22; F21V 21/26;  
F21V 21/32; F21V 23/001; F21V 23/002;  
F21V 23/005; F21V 23/02; F21V 23/045;  
F21V 23/0492; F21V 25/04; F21V 29/15;  
F21V 29/503; F21V 29/508; F21V  
29/713; F21V 29/763; F21V 29/767;  
F21V 29/89; F21V 29/90; F21V 33/00;  
F21V 33/0004; F21V 33/0052; F21V  
3/02; F21V 5/00; F21V 5/008; F21V  
5/046; F21V 5/048; F21V 5/08; F21V  
7/0008; F21V

(Continued)

(56) **References Cited**

U.S. PATENT DOCUMENTS

D411,893 S \* 7/1999 Matthes ..... D26/37  
D452,337 S \* 12/2001 Shiu ..... D26/46  
D481,817 S \* 11/2003 Mah ..... D26/49

(Continued)

*Primary Examiner* — Marissa J Cash

*Assistant Examiner* — William B Melliar

(74) *Attorney, Agent, or Firm* — Justin Lampel

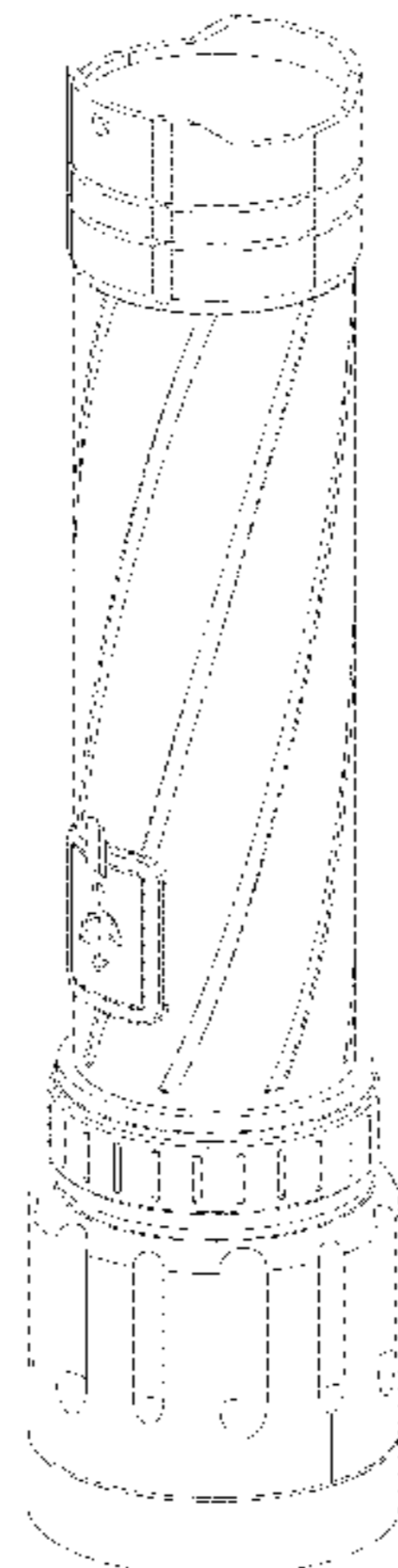
(57) **CLAIM**

The ornamental design for a flashlight, as shown and described.

**DESCRIPTION**

FIG. 1 is a perspective view of a flashlight showing the claimed design;  
FIG. 2 is a top plan view thereof;  
FIG. 3 is a rear elevational view thereof;  
FIG. 4 is a bottom plan view thereof;  
FIG. 5 is a right side view thereof;  
FIG. 6 is a front elevational view thereof; and,  
FIG. 7 is a left side view thereof.

(Continued)



The broken lines in the drawings depict portions of the flashlight that form no part of the claimed design.

**1 Claim, 7 Drawing Sheets**

**(58) Field of Classification Search**

CPC ..... 7/0083; F21V 7/04; F21V 7/041;  
F21V 7/06; F21V 7/22; F21V 7/24

See application file for complete search history.

**(56) References Cited**

U.S. PATENT DOCUMENTS

D578,690 S	*	10/2008	Kim	.....	D26/37
D685,940 S	*	7/2013	Lee	.....	D26/49
D689,226 S	*	9/2013	Yeh	.....	D26/46
D710,526 S	*	8/2014	Lee	.....	D26/49
D897,579 S	*	9/2020	Le	.....	D26/37
D900,368 S	*	10/2020	Petrucci	.....	D26/49
D907,826 S		1/2021	Christensen		
D935,663 S	*	11/2021	Xiao	.....	D26/49

\* cited by examiner

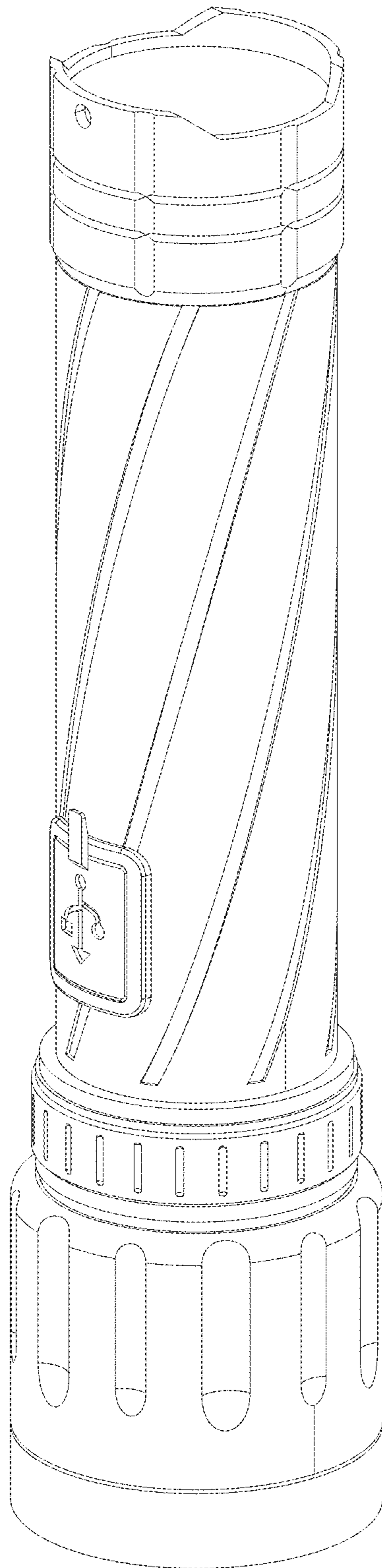


FIG. 1

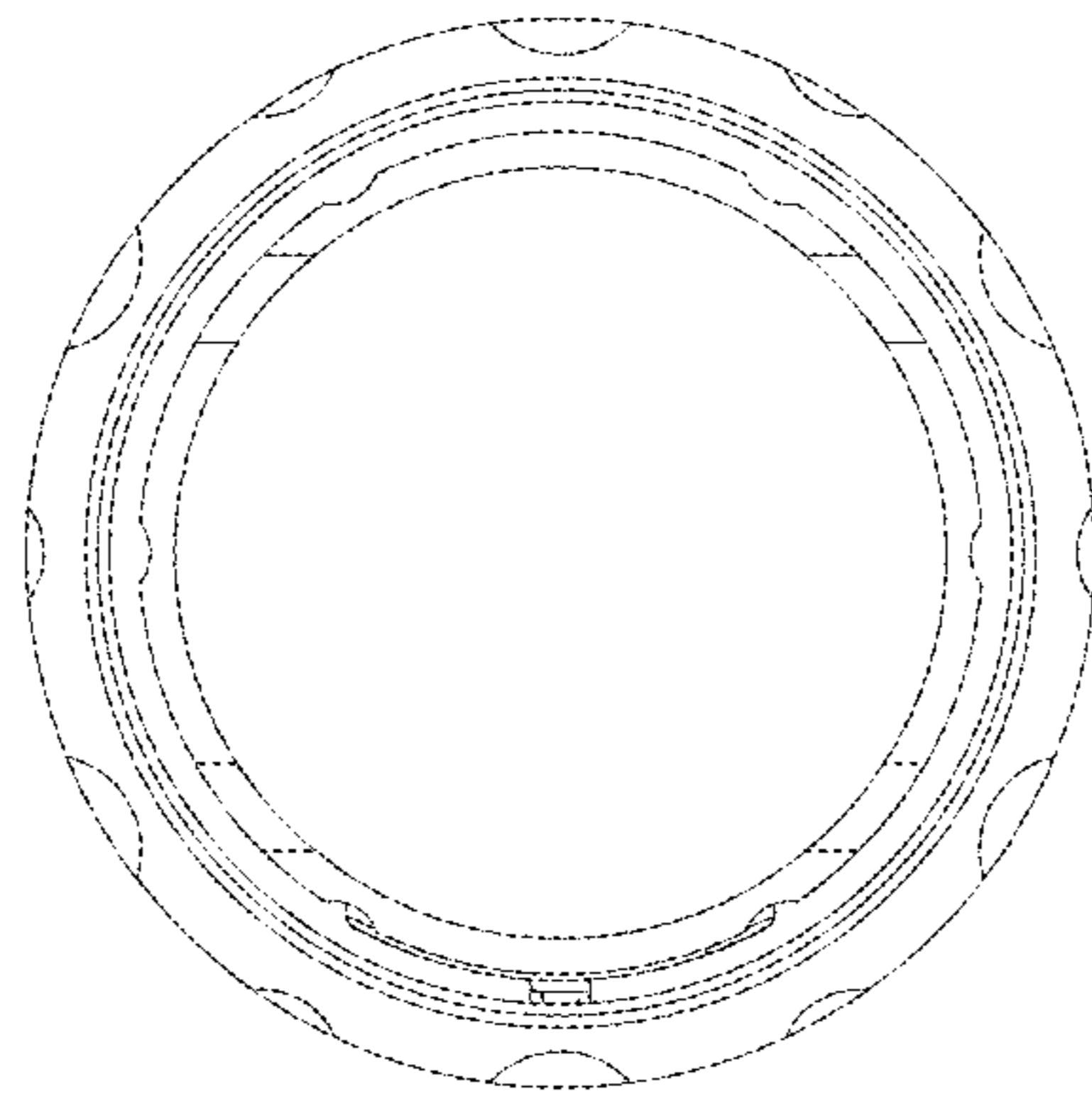


FIG.2

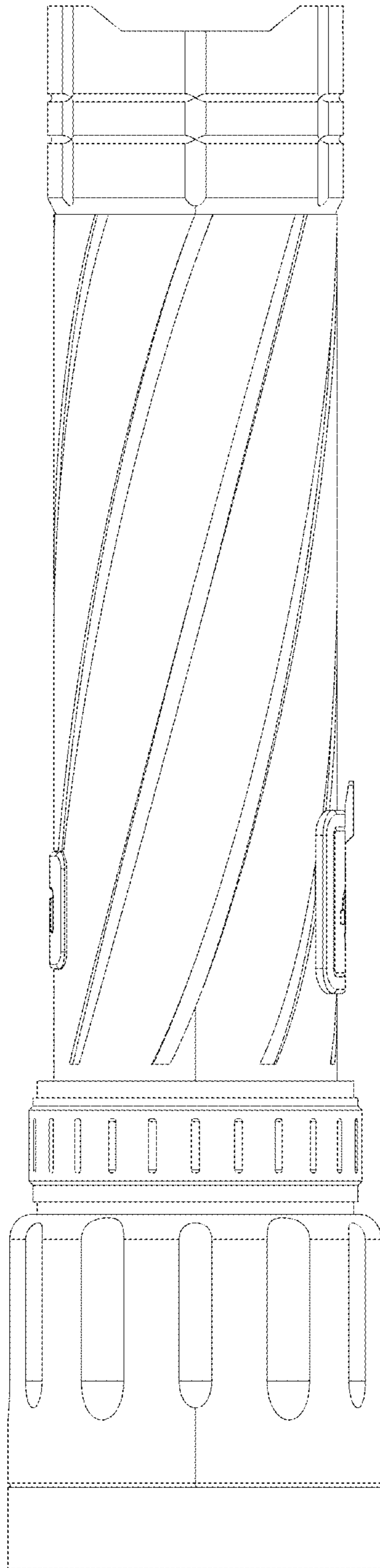


FIG. 3

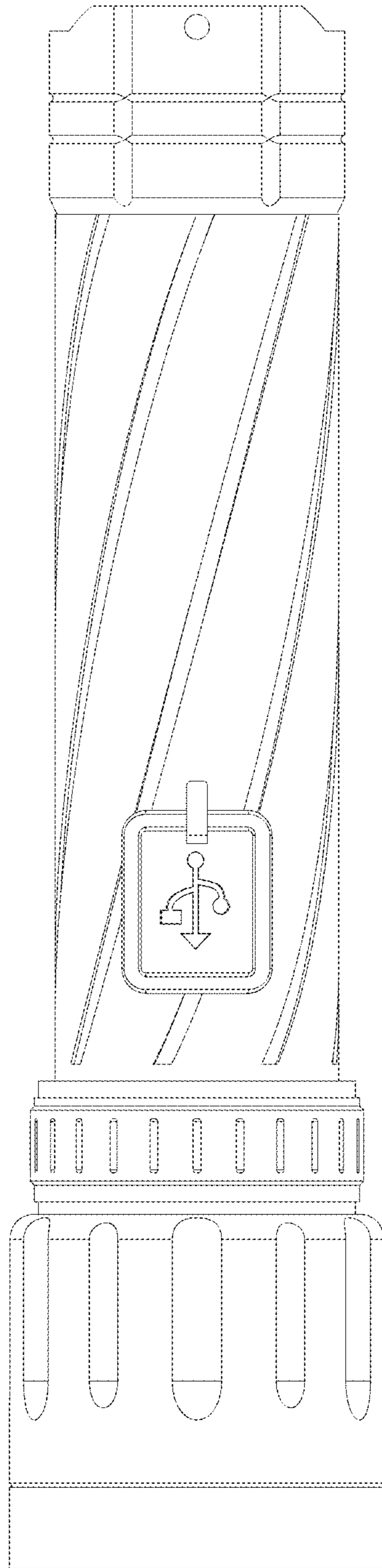


FIG. 4

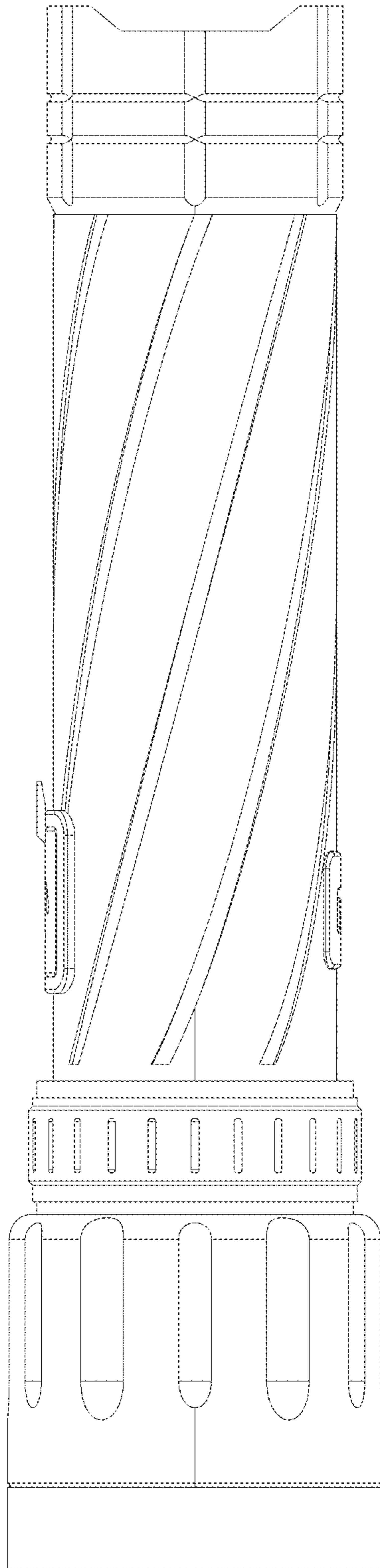


FIG. 5

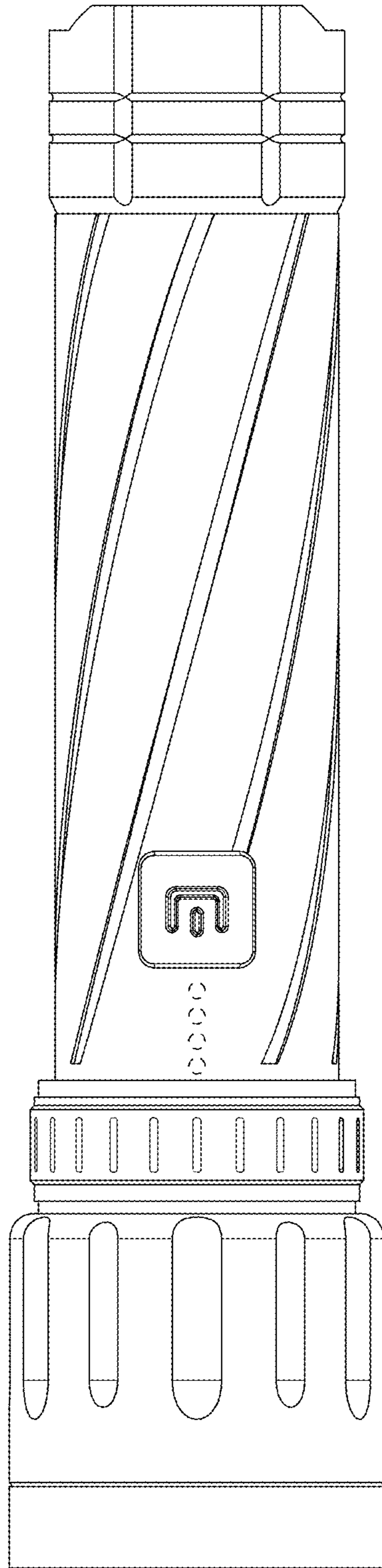


FIG. 6



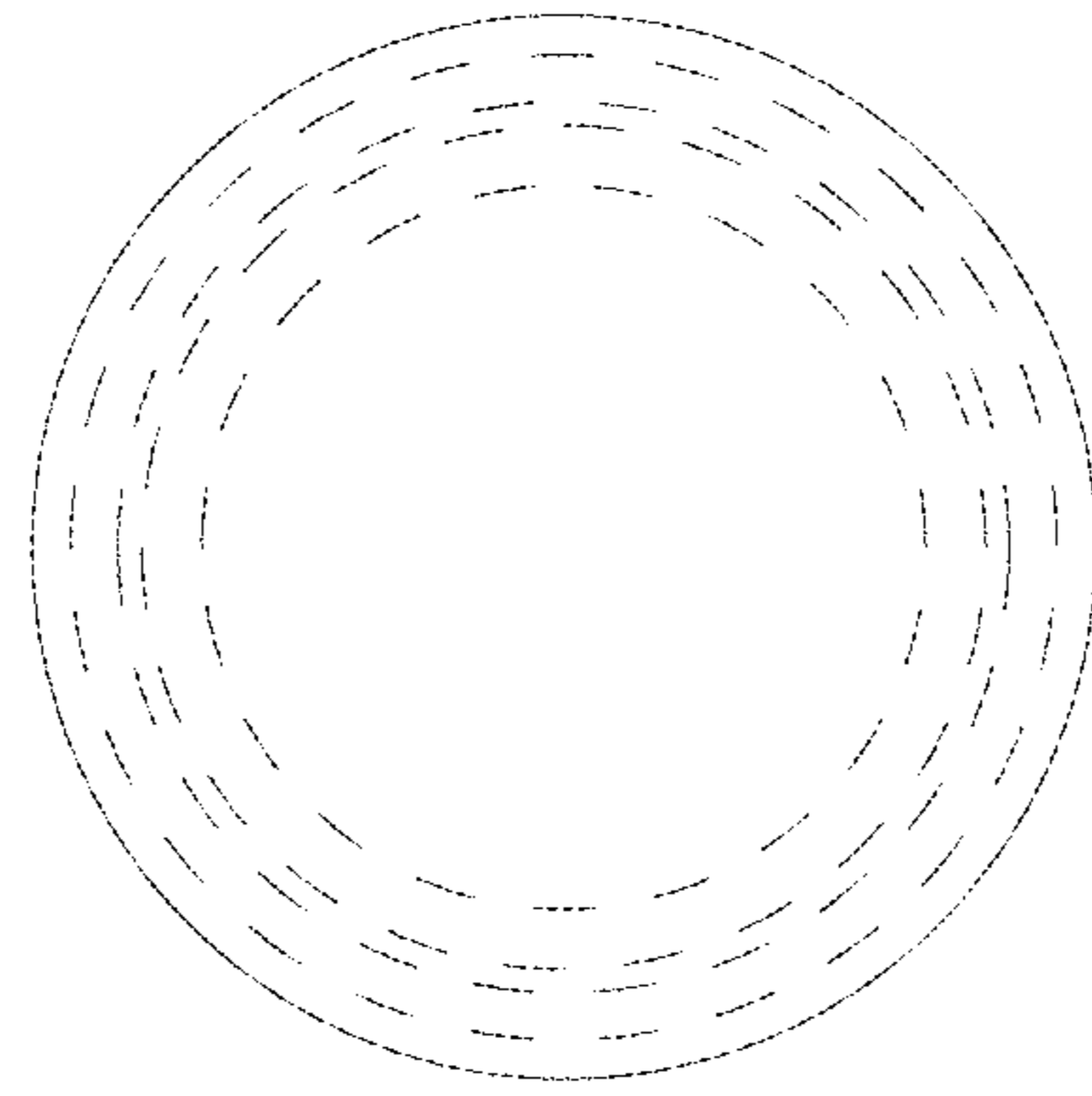


FIG. 7