

US00D953588S

(12) **United States Design Patent**
Chen

(10) **Patent No.:** **US D953,588 S**

(45) **Date of Patent:** **** May 31, 2022**

(54) **CAMPING LIGHT**

(71) Applicant: **Heshan Pace Technology Co., Ltd.**,
Heshan (CN)

(72) Inventor: **Qiusheng Chen**, Heshan (CN)

(73) Assignee: **HESHAN PACE TECHNOLOGY CO., LTD.**, Heshan (CN)

(**) Term: **15 Years**

(21) Appl. No.: **29/766,274**

(22) Filed: **Jan. 14, 2021**

(30) **Foreign Application Priority Data**

Aug. 19, 2020 (CN) 202030476392.5

(51) **LOC (13) Cl.** **26-02**

(52) **U.S. Cl.**
USPC **D26/37**

(58) **Field of Classification Search**
USPC D26/24, 37-52, 93, 104-107, 113,
D26/118-120, 138
CPC F21Y 2115/10; F21L 4/00; F21L 19/00;
F21L 4/045; F21V 15/012; F21V
21/0965; F21V 9/083; A45F 3/44
See application file for complete search history.

(56) **References Cited**

U.S. PATENT DOCUMENTS

D605,320 S * 12/2009 Moudry D26/39
D615,676 S * 5/2010 Lee D26/37
D668,382 S * 10/2012 Schieffelin D26/142
D753,006 S * 4/2016 Deyaf D26/37
D753,856 S * 4/2016 Iwaki D10/114.9

D805,666 S * 12/2017 Nguyen D26/37
D809,692 S * 2/2018 Tsao D26/60
D829,354 S * 9/2018 Cacciabeve D26/37
D844,873 S * 4/2019 Koshiba D26/44
D930,865 S * 9/2021 Shang D26/37

OTHER PUBLICATIONS

Battery Powered Camping Lantern. By GESKS. Dated Apr. 8, 2019. Found online [Mar. 8, 2022]. <https://www.amazon.com/Battery-Powered-Camping-Portable-Emergency/dp/B07QBPIJM1> (Year: 2019).*

* cited by examiner

Primary Examiner — Marissa J Cash
Assistant Examiner — William B Melliar

(74) *Attorney, Agent, or Firm* — Ware, Fressola, Maguire & Barber LLP

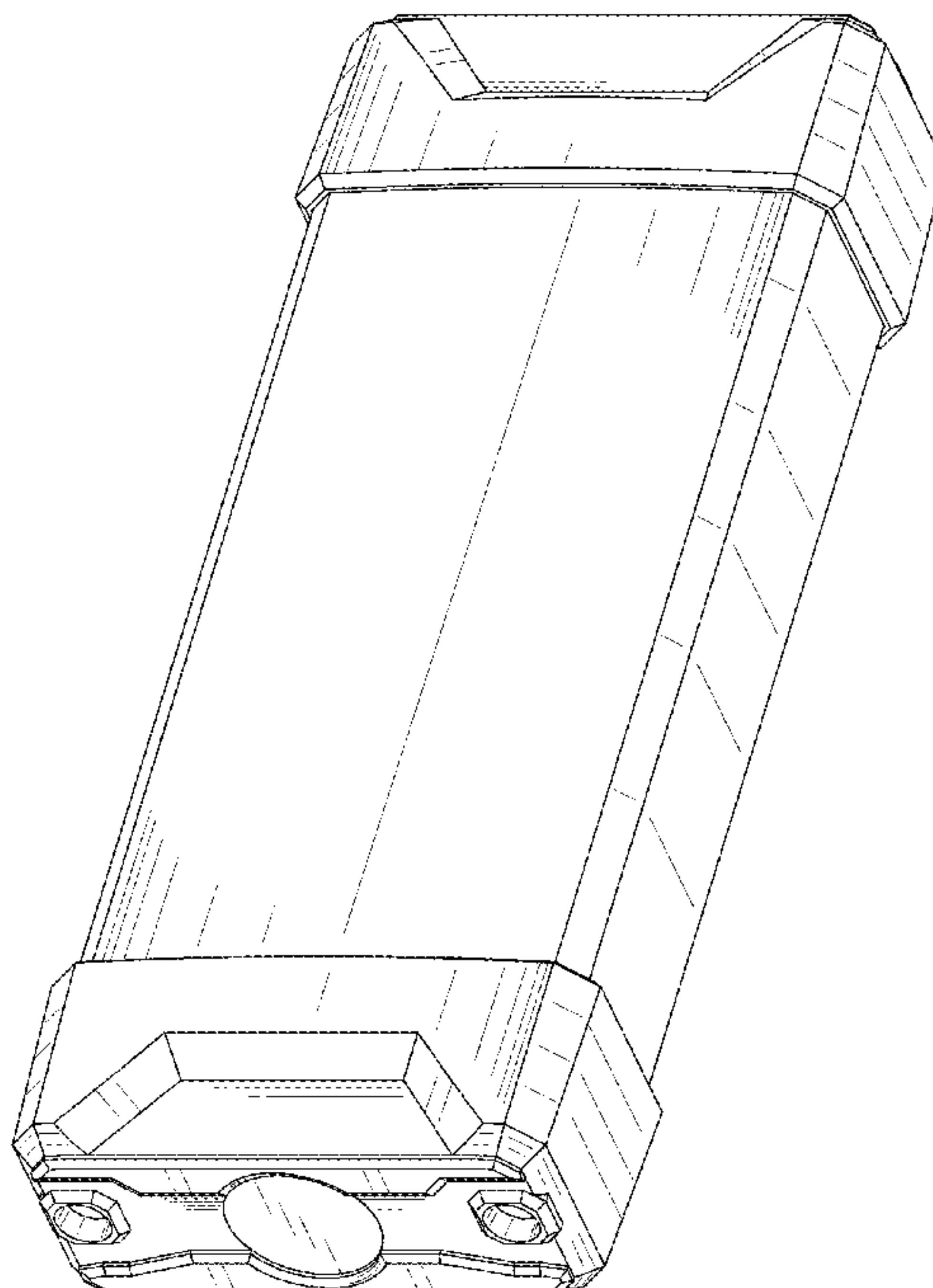
(57) **CLAIM**

The ornamental design for a camping light, as shown and described.

DESCRIPTION

FIG. 1 is a front perspective view of a camping light of the present disclosure;
FIG. 2 is a rear perspective view thereof;
FIG. 3 is a front elevational view thereof;
FIG. 4 is a rear elevational view thereof
FIG. 5 is a left-side elevational view thereof;
FIG. 6 is a right-side elevational view thereof
FIG. 7 is a top plan view thereof; and,
FIG. 8 is a bottom plan view thereof.
The shade lines shown in the drawings indicate the character and contour of surfaces represented and should not be confused with surface ornamentation.

1 Claim, 8 Drawing Sheets



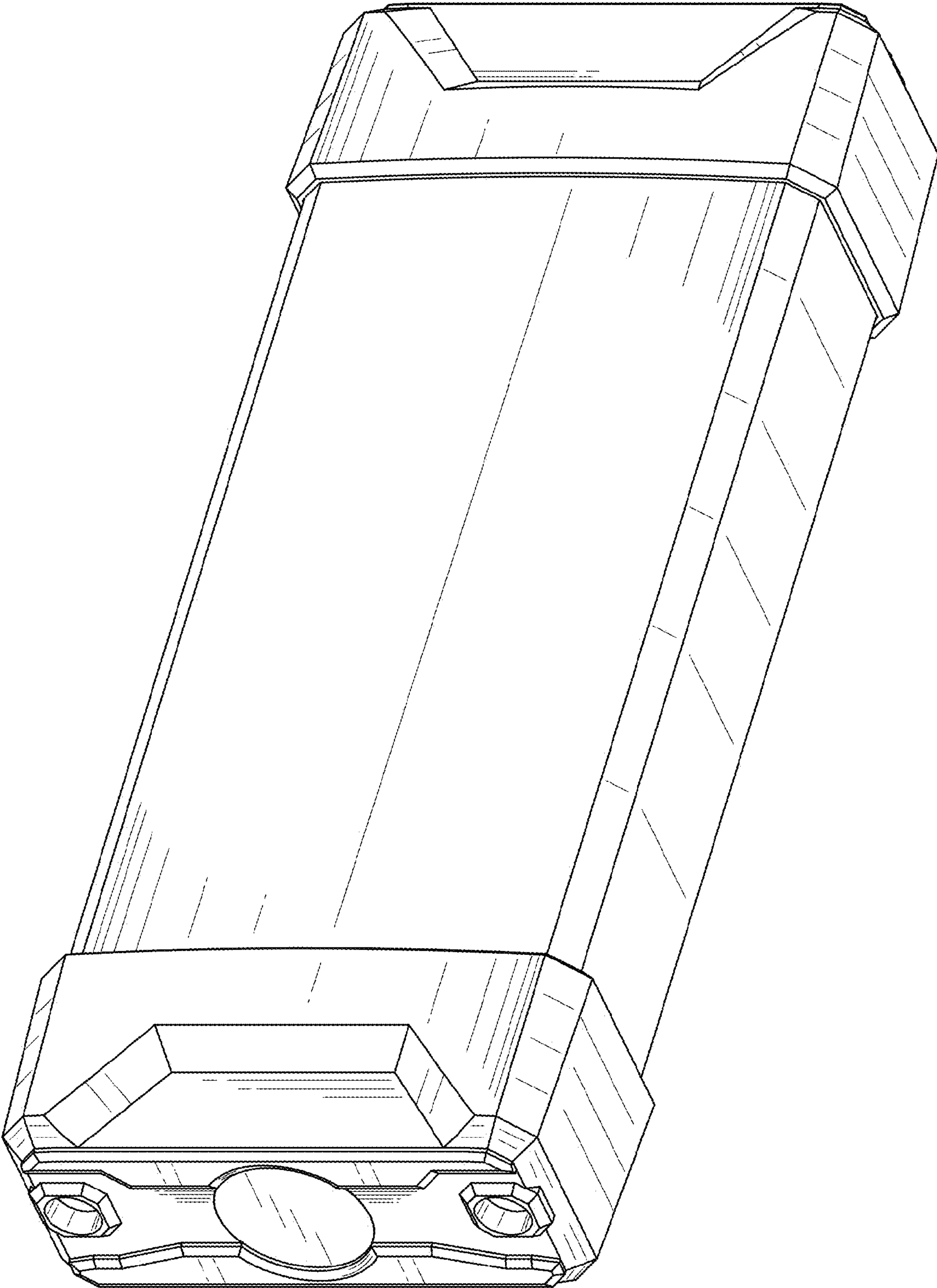


FIG. 1

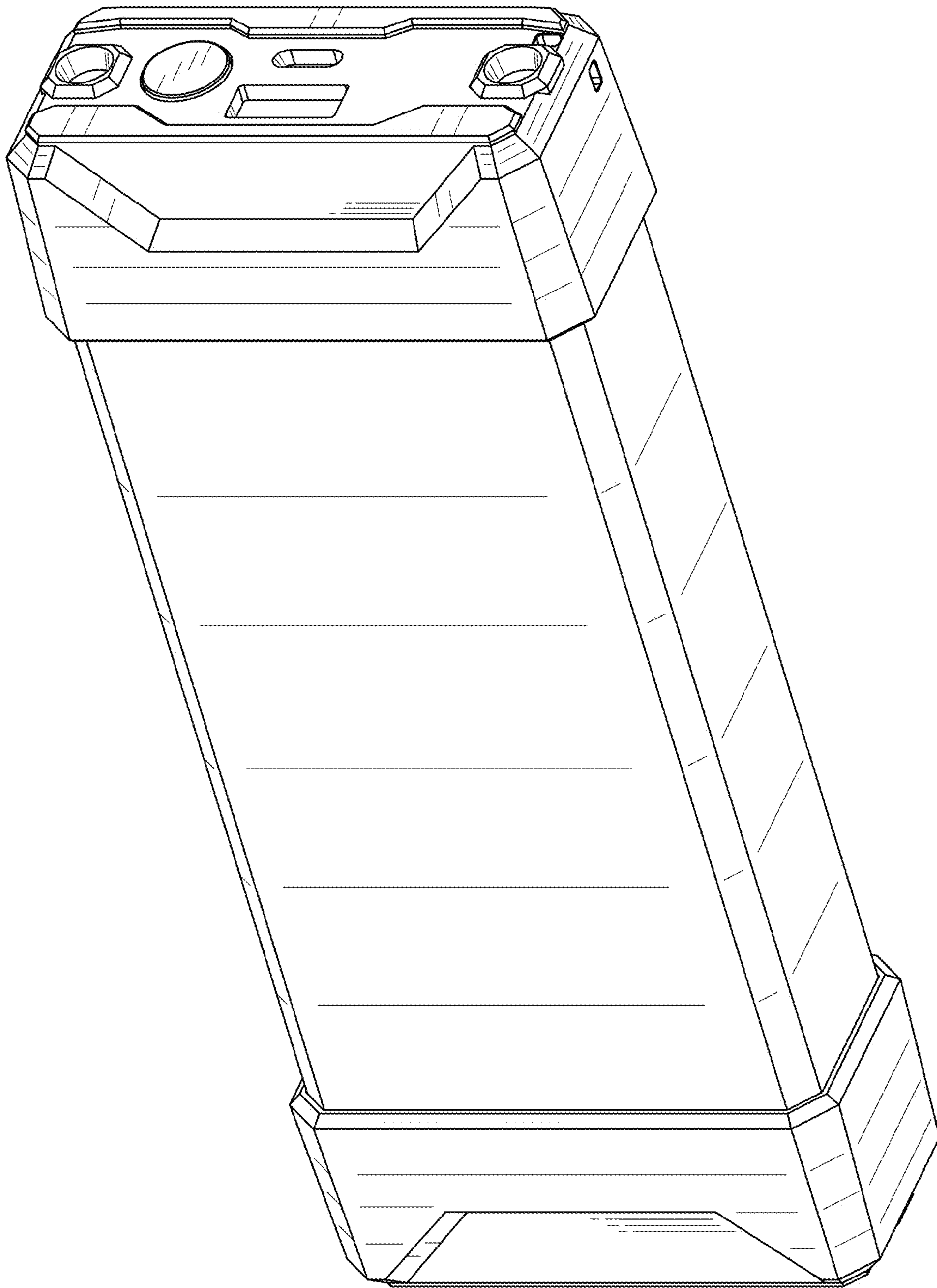


FIG.2

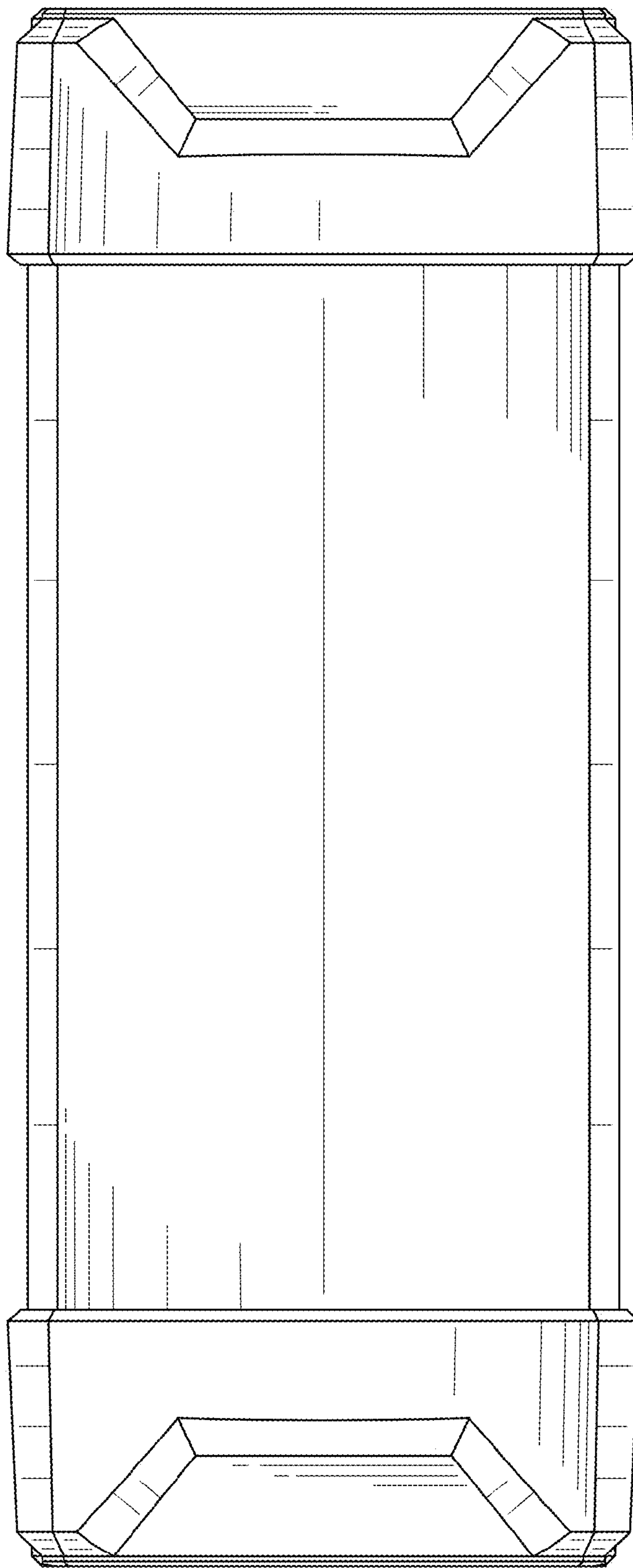


FIG.3

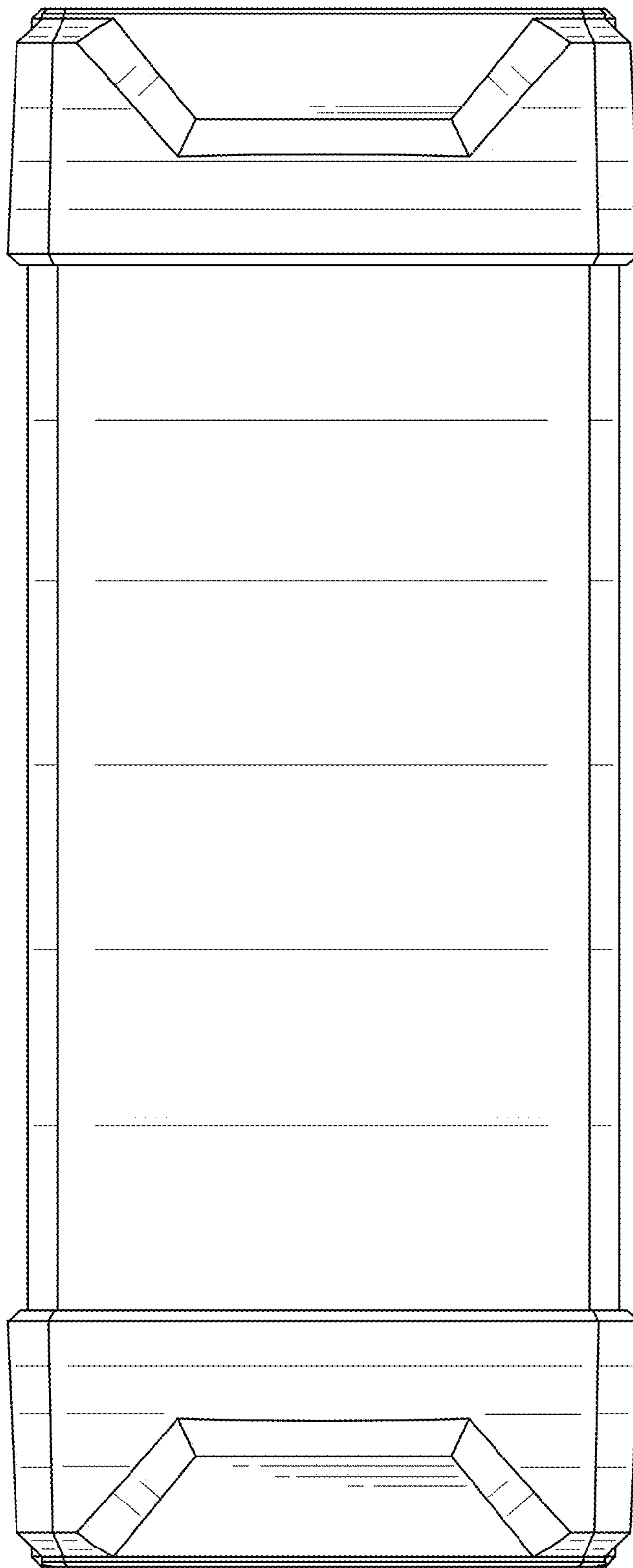


FIG.4

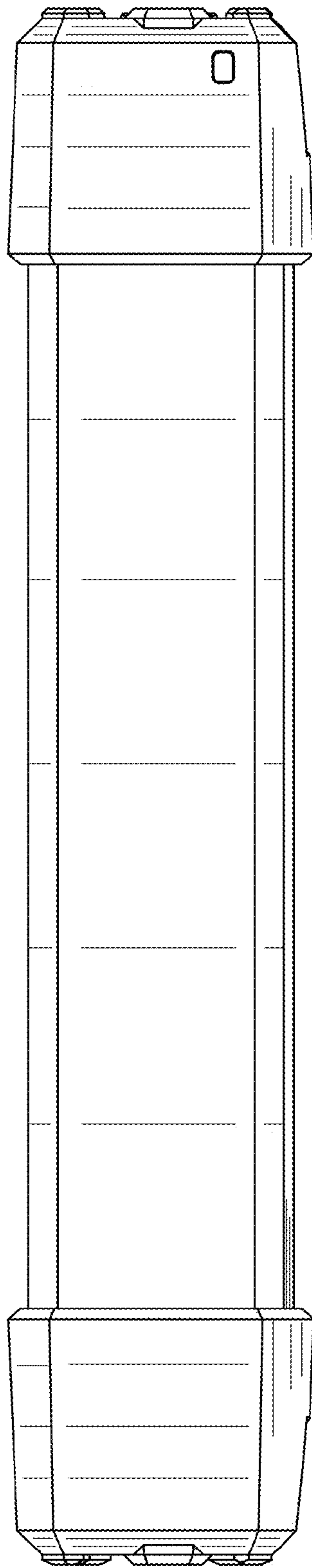


FIG.5

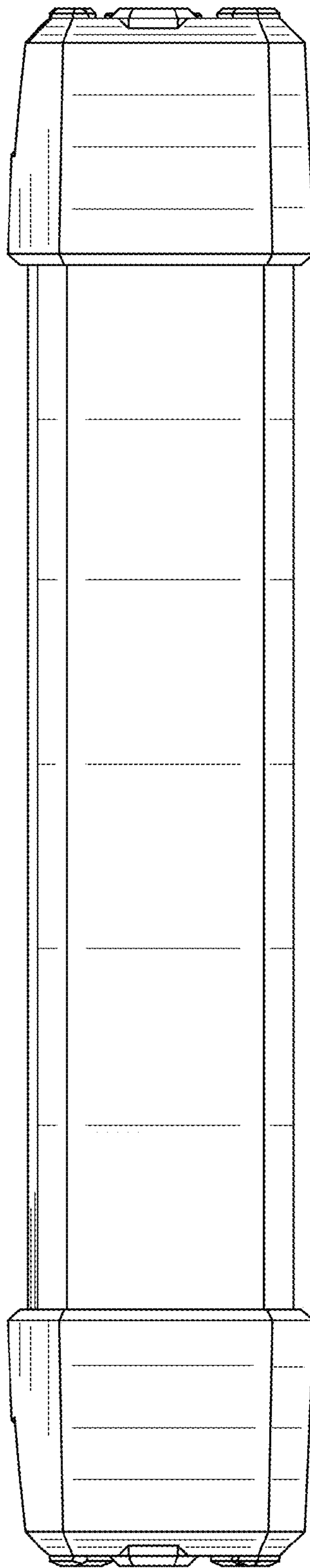


FIG.6

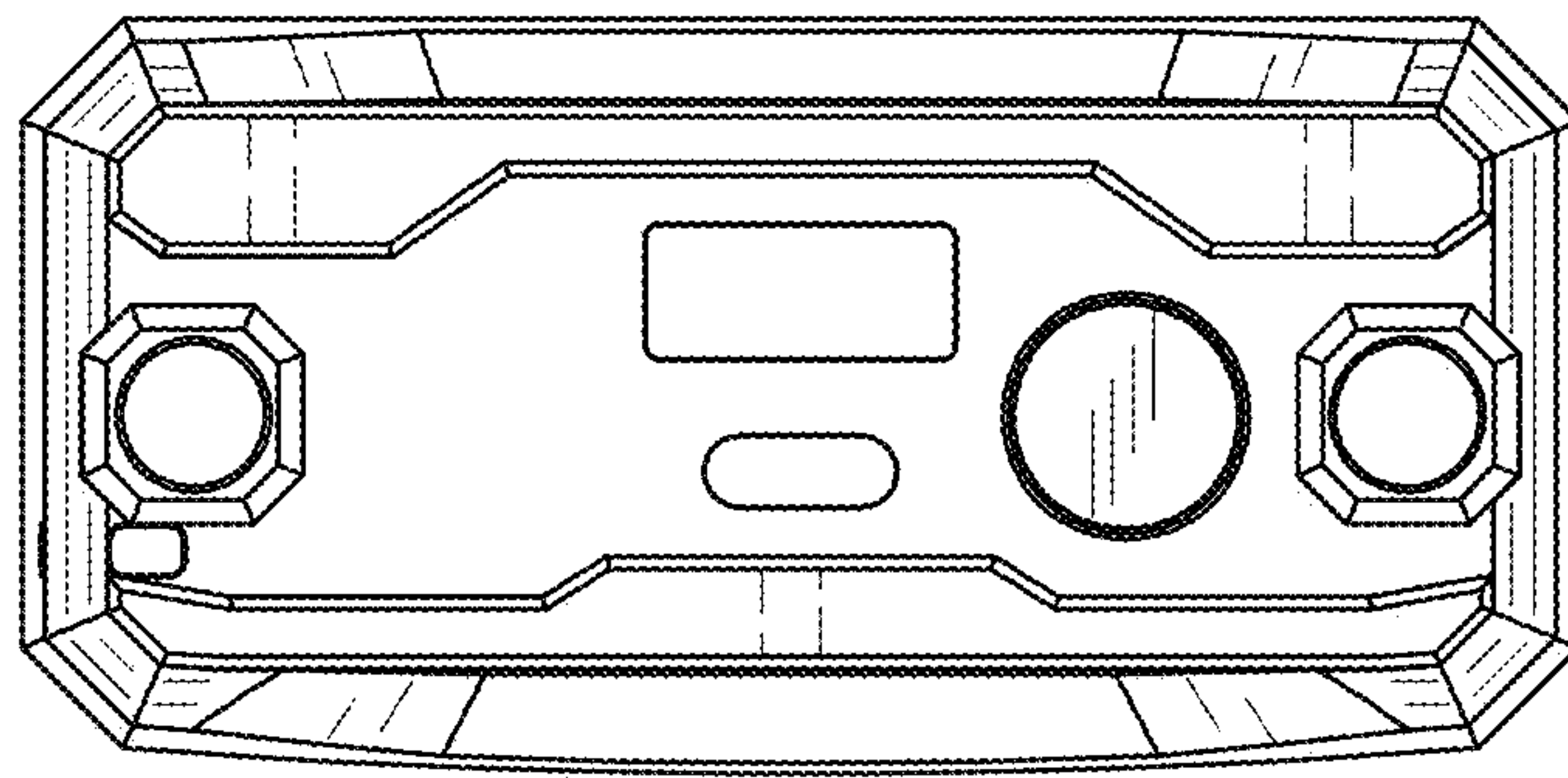


FIG. 7

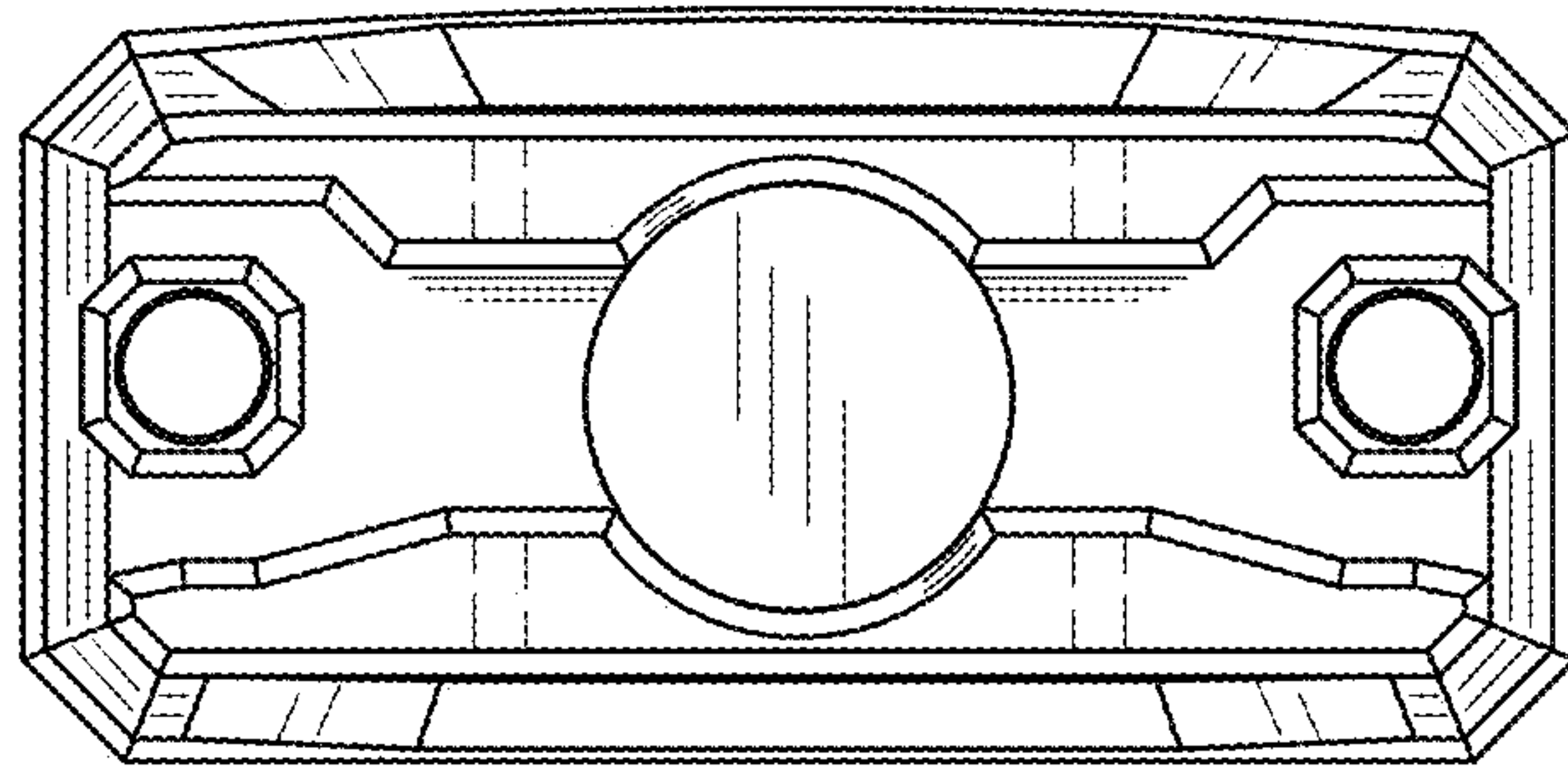


FIG.8