



US00D953584S

(12) **United States Design Patent** (10) **Patent No.:** **US D953,584 S**
He (45) **Date of Patent:** **** May 31, 2022**

(54) **AQUARIUM LIGHT**

(71) Applicant: **Yu He**, Beiliu (CN)

(72) Inventor: **Yu He**, Beiliu (CN)

(**) Term: **15 Years**

(21) Appl. No.: **29/753,128**

(22) Filed: **Sep. 30, 2020**

(51) **LOC (13) Cl.** **26-03**

(52) **U.S. Cl.**

USPC **D26/24**

(58) **Field of Classification Search**

USPC D26/24, 60, 61, 62, 63, 64, 65, 66, 67,
D26/68, 72, 79, 37, 43, 46, 48, 49, 50, 1,
D26/51, 113

CPC F21K 9/00; F21K 9/20; F21L 4/00; F21L
4/005; F21L 4/06; F21S 9/00; F21S 9/02;
F21V 21/042; F21V 21/08; F21V 21/088;
F21Y 2103/30

See application file for complete search history.

(56) **References Cited**

U.S. PATENT DOCUMENTS

3,232,251	A	*	2/1966	Hughes	A61H 3/00 108/50.16
D264,008	S	*	4/1982	Barozzini	D26/113
D319,358	S	*	8/1991	Giugiaro	D6/406.6
D385,126	S	*	10/1997	Howland	D6/406.6
D690,839	S	*	10/2013	Wang	D26/24
D690,844	S	*	10/2013	Wang	D26/24
D690,845	S	*	10/2013	Wang	D26/24
D690,846	S	*	10/2013	Wang	D26/24
D690,847	S	*	10/2013	Wang	D26/24
D781,470	S	*	3/2017	Hsieh	D26/24

FOREIGN PATENT DOCUMENTS

CN	306258158	*	12/2020
KR	300984133.0000	*	12/2018

OTHER PUBLICATIONS

“Feshen Aquarium Light” reference by AMZDB-US on Amazon.com, date first available Mar. 21, 2021 [online], site visited Jan. 4, 2022, available from internet URL: https://www.amazon.com/dp/B08ZN18VLX/ref=emc_b_5_t?th=1 (Year: 2021).*

“Klipsk” reference on Ikea.com, oldest customer review date Apr. 26, 2017 [online], site visited Jan. 4, 2022, available from internet URL: <https://www.ikea.com/us/en/p/klipsk-bed-tray-white-00258882/#content> (Year: 2017).*

“Chihiros WRGB II” reference by Fzone Studio on Amazon.com, oldest customer review date Dec. 25, 2018 [online], site visited Jan. 4, 2022, available from internet URL: https://www.amazon.com/dp/B08XMFK5ZX/ref=cm_sw_em_r_mt_dp_QFS9Y7APTSZMNABJNJCP (Year: 2018).*

* cited by examiner

Primary Examiner — Marissa J Cash
Assistant Examiner — Liv C Anderson

(57) **CLAIM**

The ornamental design for an aquarium light, as shown and described.

DESCRIPTION

FIG. 1 is a perspective view of an aquarium light showing my new design;

FIG. 2 is a front elevational view thereof;

FIG. 3 is a rear elevational view thereof;

FIG. 4 is a left side elevational view thereof;

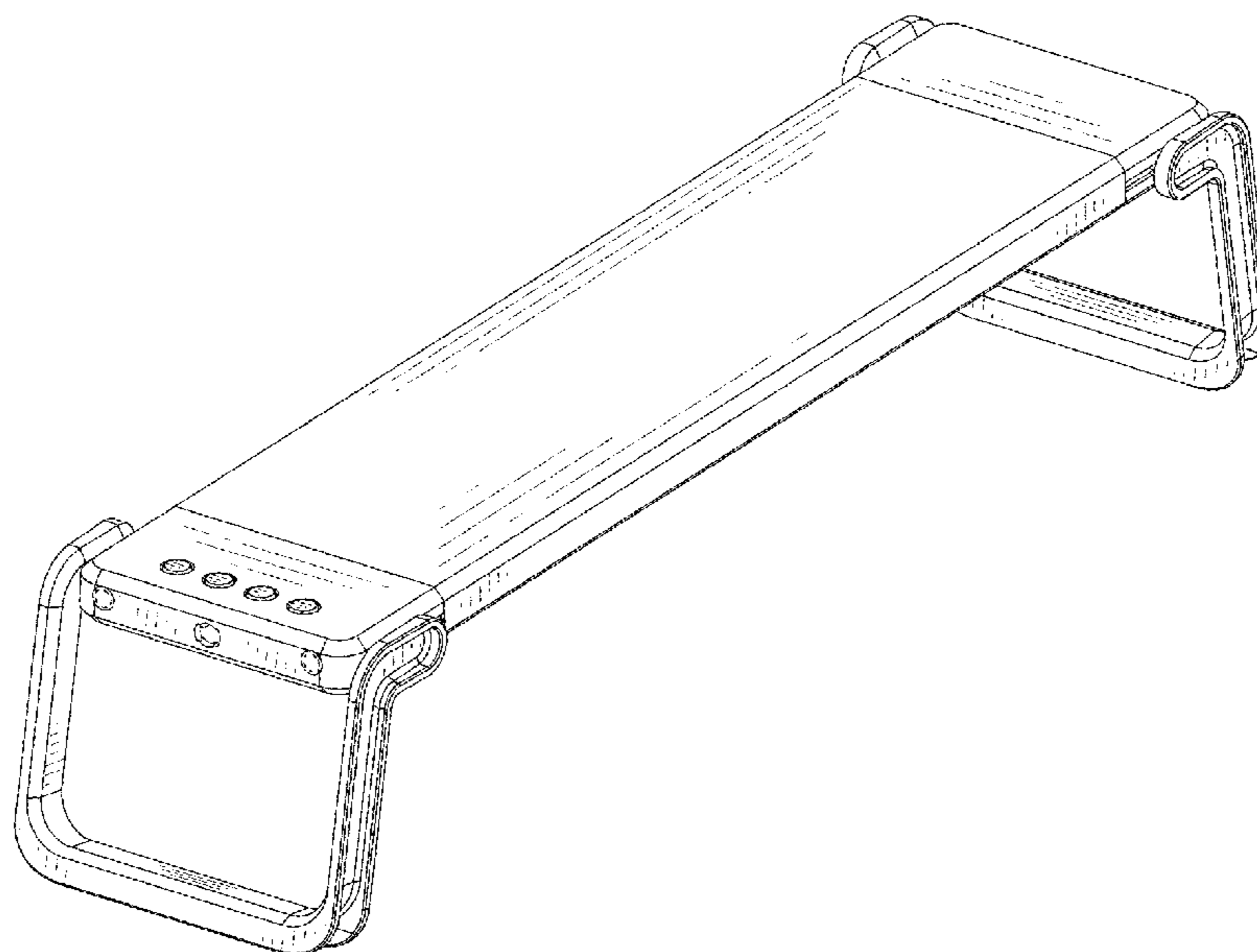
FIG. 5 is a right side elevational view thereof;

FIG. 6 is a top plan view thereof; and,

FIG. 7 is a bottom plan view thereof.

The broken lines throughout the drawing figures depict portions of the aquarium light that form no part of the claimed design.

1 Claim, 7 Drawing Sheets



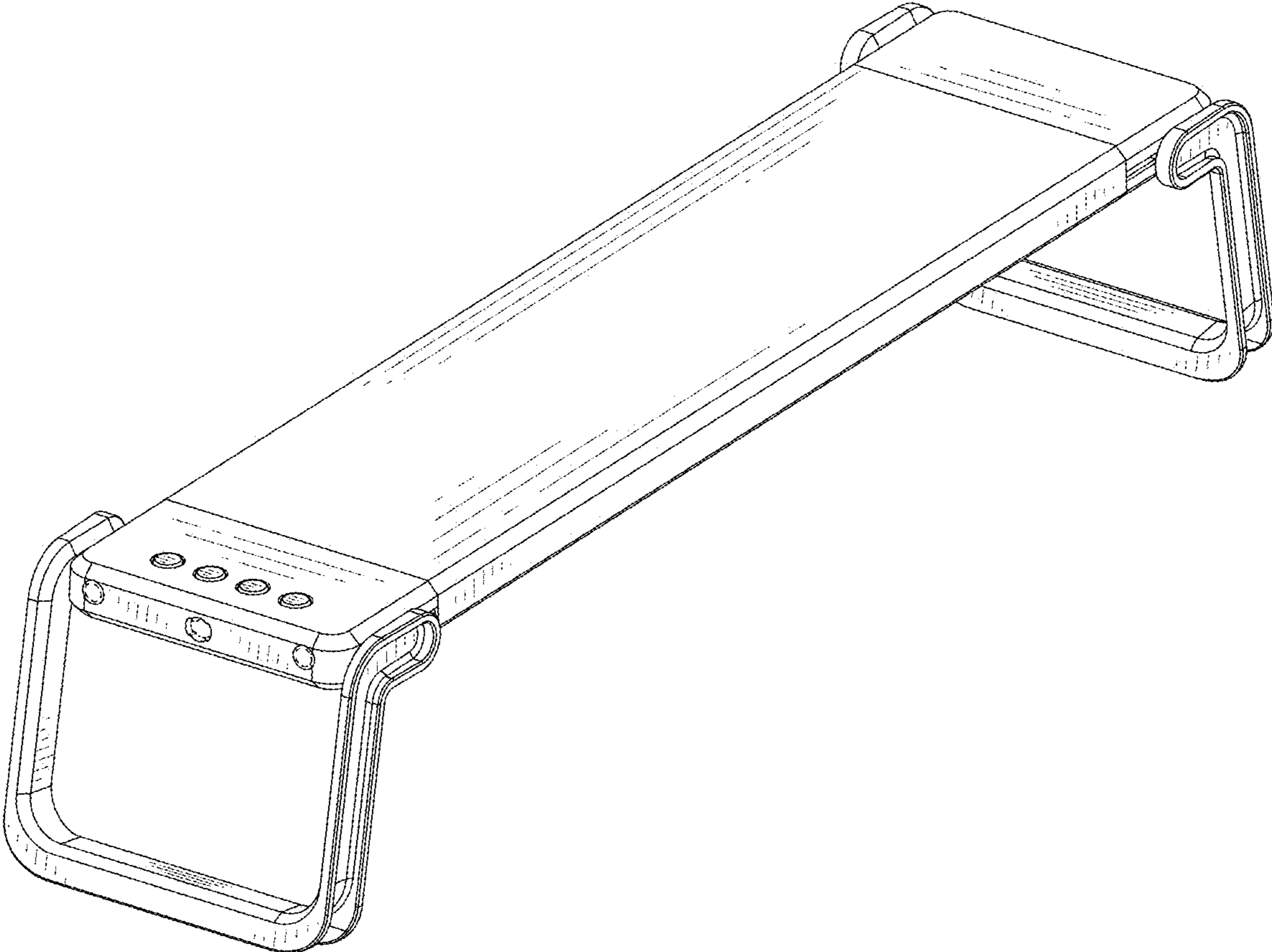


FIG.1

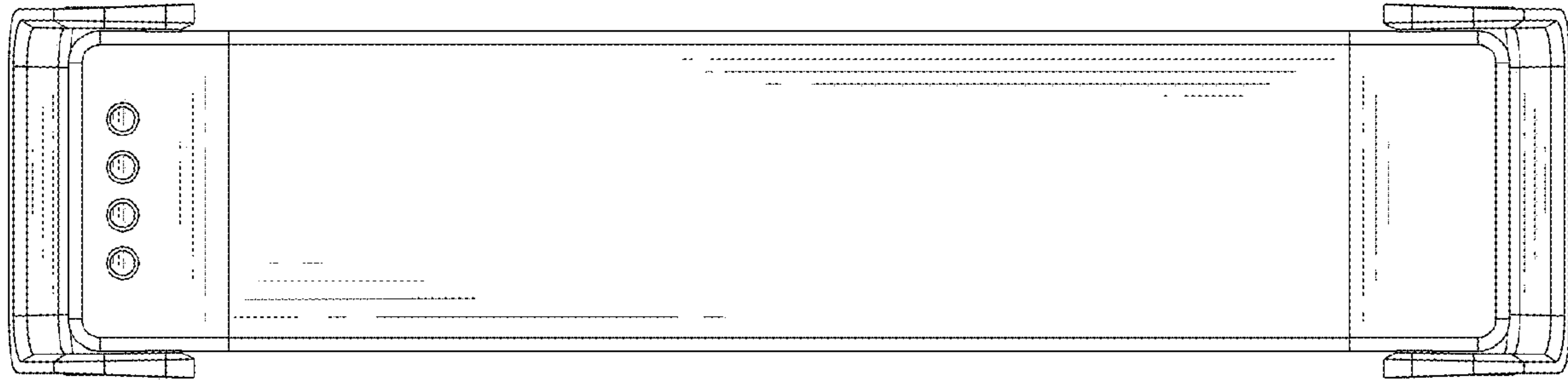


FIG.2

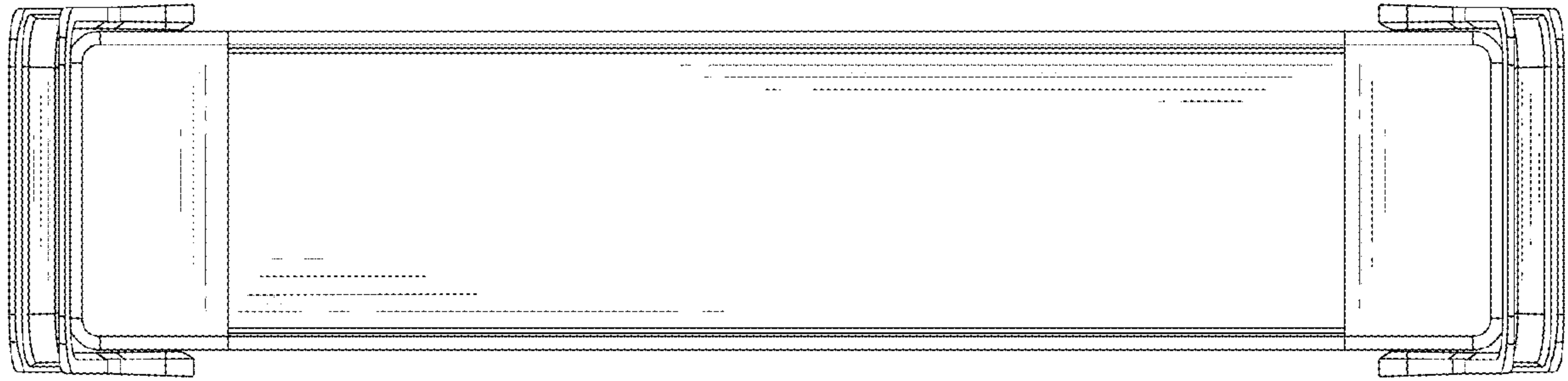


FIG.3

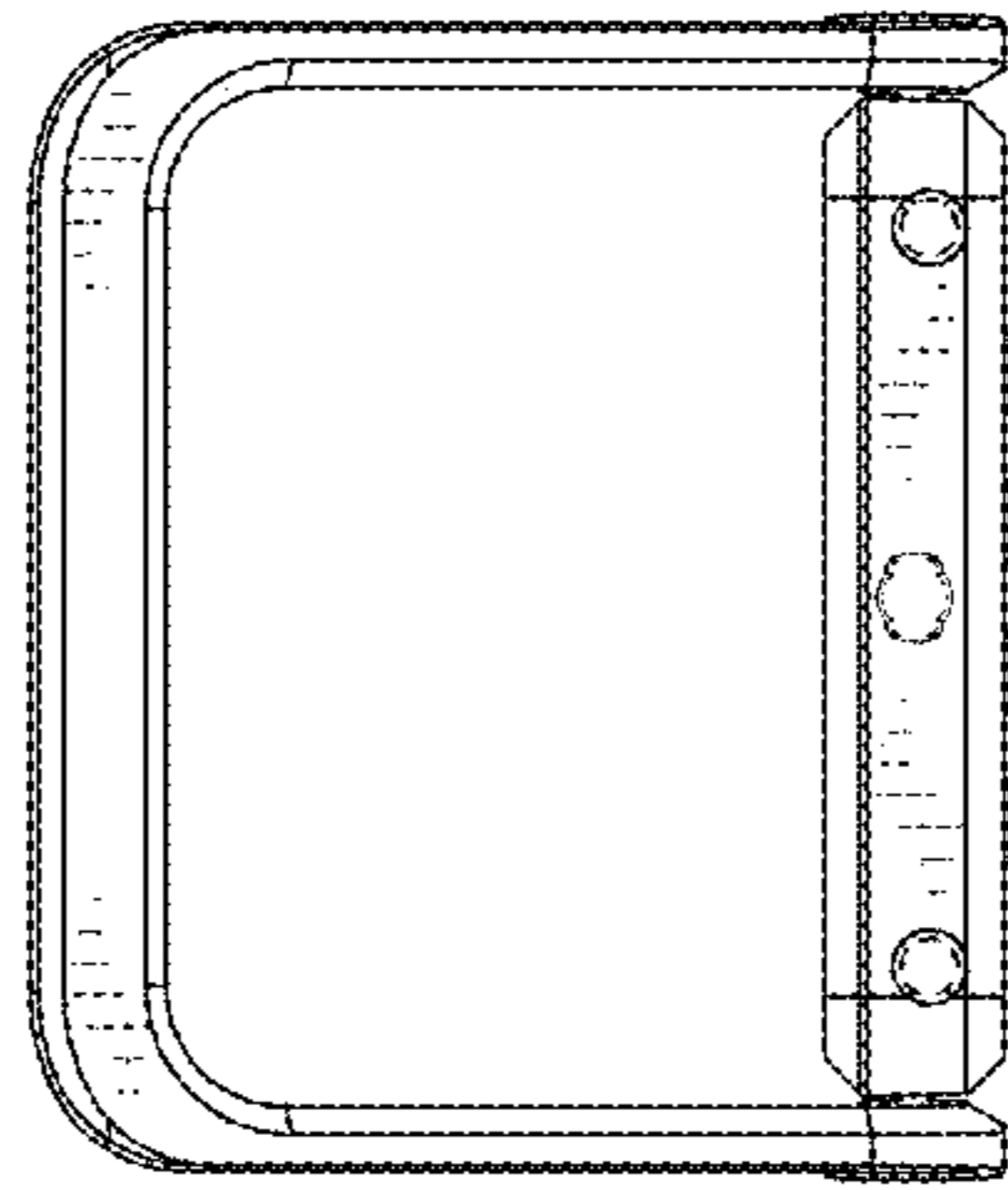


FIG.4

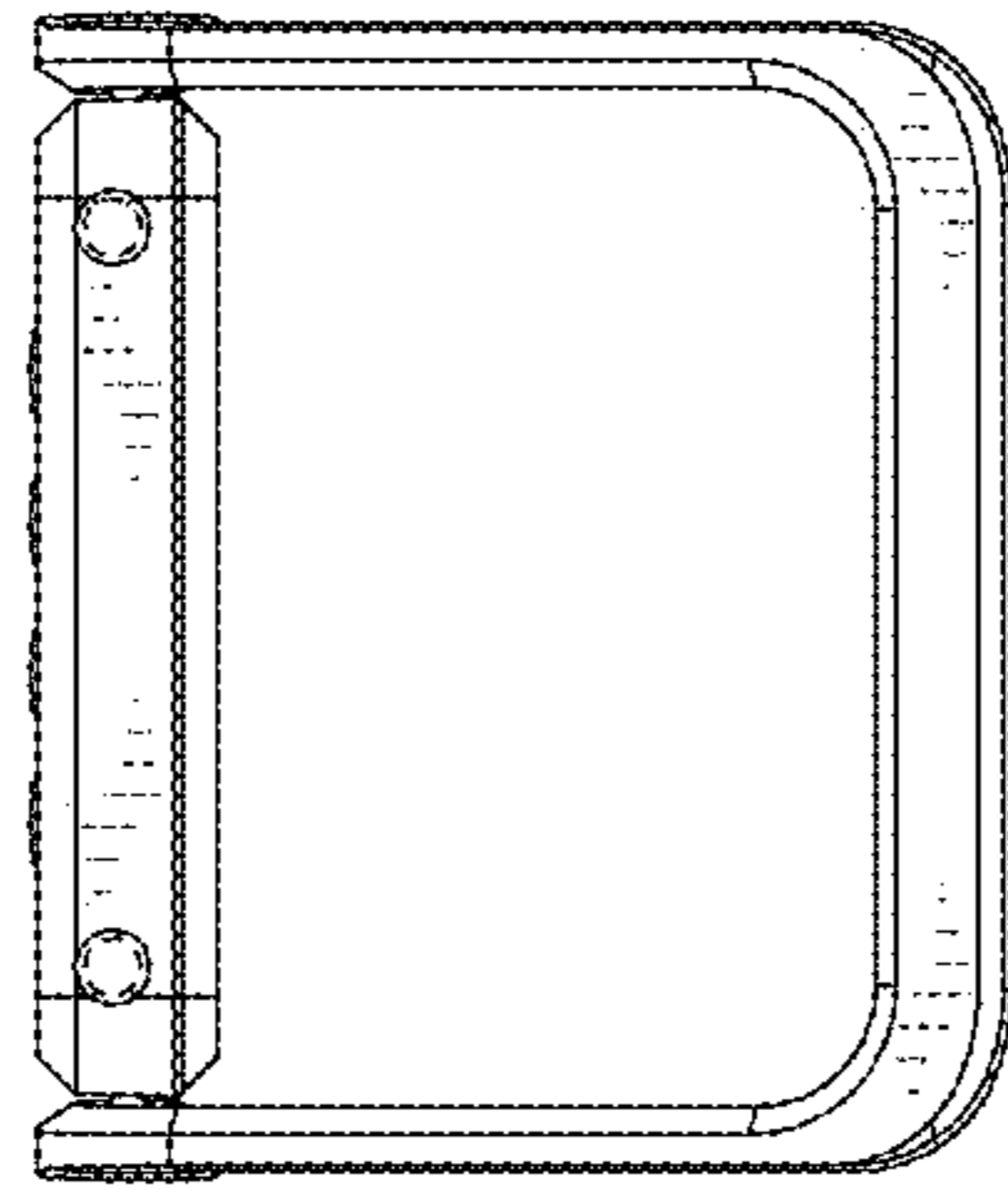


FIG.5

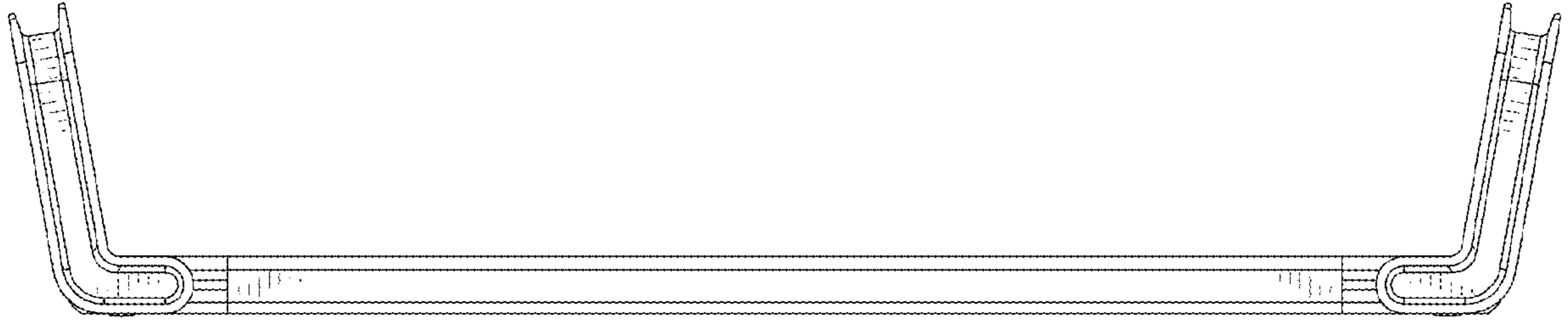


FIG.6

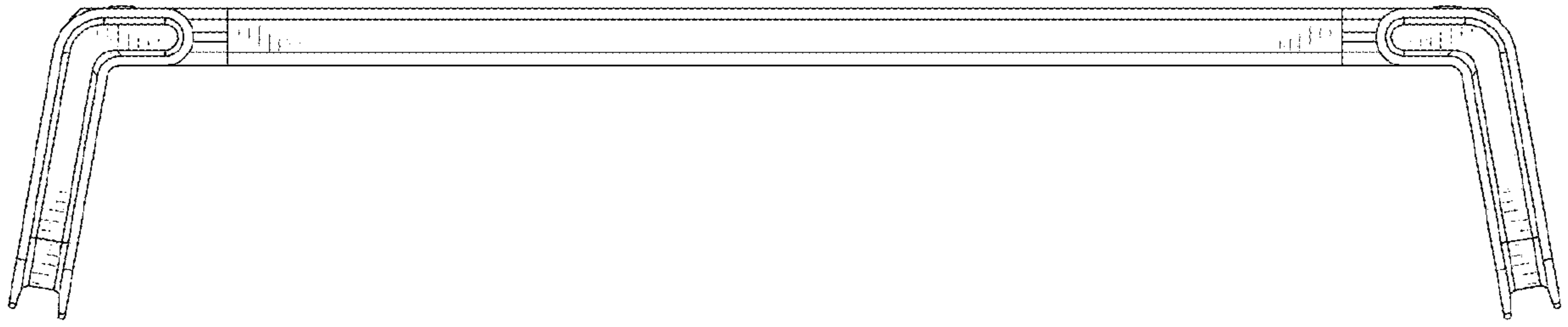


FIG.7