



US00D953582S

(12) **United States Design Patent**  
**Sudo et al.**

(10) **Patent No.:** **US D953,582 S**  
(45) **Date of Patent:** **\*\* May 31, 2022**

(54) **CONSTRUCTION CLIP**

D547,168 S \* 7/2007 Churchill ..... D8/382  
D558,039 S \* 12/2007 Skinner ..... D8/382  
7,490,802 B1 \* 2/2009 Teng ..... A47B 96/063  
248/229.15

(71) Applicant: **YOSHINO GYPSUM CO., LTD.**,  
Tokyo (JP)

(Continued)

(72) Inventors: **Ushio Sudo**, Tokyo (JP); **Tomoya Hasegawa**, Tokyo (JP); **Takuji Yamashita**, Tokyo (JP); **Yusuke Watanabe**, Tokyo (JP)

FOREIGN PATENT DOCUMENTS

CN 305284500 8/2019  
CN 305379761 10/2019

(Continued)

(73) Assignee: **YOSHINO GYPSUM CO., LTD.**,  
Tokyo (JP)

OTHER PUBLICATIONS

(\*\*) Term: **15 Years**

U.S. Appl. No. 29/738, 577, filed Jun. 18, 2020, Yoshino Gypsum Co., Ltd.

(21) Appl. No.: **29/738,772**

(Continued)

(22) Filed: **Jun. 19, 2020**

*Primary Examiner* — Leanne Was-Englehart

(30) **Foreign Application Priority Data**

(74) *Attorney, Agent, or Firm* — IPUSA, PLLC

Dec. 25, 2019 (JP) ..... 2019-028875

(51) **LOC (13) Cl.** ..... **25-01**

(52) **U.S. Cl.**  
USPC ..... **D25/133; D8/354**

(58) **Field of Classification Search**  
USPC ..... D8/354, 382, 394, 395; D25/199  
CPC . A47B 96/063; E04B 9/10; E04C 5/12; E04C 5/16; E04C 5/162; E04C 5/167  
See application file for complete search history.

(57) **CLAIM**

The ornamental design for a construction clip, as shown and described.

(56) **References Cited**

**DESCRIPTION**

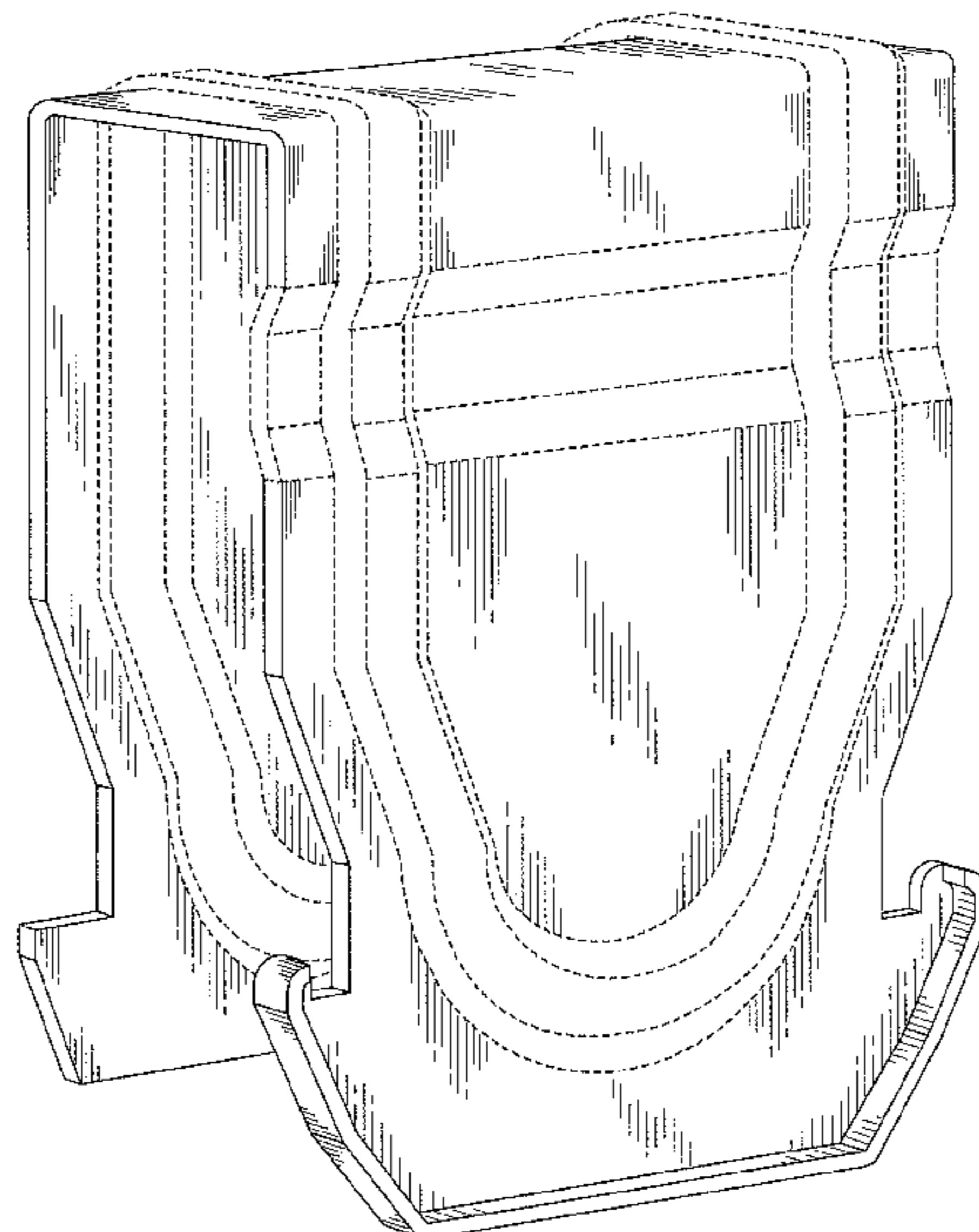
U.S. PATENT DOCUMENTS

D116,438 S \* 8/1939 Wright ..... D25/55  
2,795,834 A \* 6/1957 Szoke ..... A47G 29/08  
248/113  
D220,424 S \* 4/1971 Hindenburg ..... D8/395  
D228,377 S \* 9/1973 Martz ..... D8/380  
D256,663 S \* 9/1980 Gilb ..... D8/380  
D370,171 S \* 5/1996 Emerson ..... D8/354  
D513,171 S \* 12/2005 Richardson ..... D8/394  
D523,329 S \* 6/2006 Klippel ..... D8/394

FIG. 1 is a front perspective view of a construction clip, showing our new design;  
FIG. 2 is a front view thereof;  
FIG. 3 is a rear view thereof;  
FIG. 4 is a top plan view thereof;  
FIG. 5 is a bottom plan view thereof;  
FIG. 6 is a left side view thereof; and,  
FIG. 7 is a front perspective view thereof, shown in a state of use.

The broken lines and the uneven-length broken lines shown in the drawings represent portions of the construction clip that form no part of the claimed design. The right side view is omitted, because it is a mirror image of the left side view.

**1 Claim, 6 Drawing Sheets**



(56)

**References Cited**

U.S. PATENT DOCUMENTS

D600,535	S	*	9/2009	Rix	.....	D8/354
D638,773	S	*	5/2011	Laverack	.....	D12/223
D819,427	S	*	6/2018	Mercaldi	.....	D8/354
D874,246	S	*	2/2020	Stekr	.....	D8/354
D874,247	S	*	2/2020	Stekr	.....	D8/354
D874,248	S	*	2/2020	Stekr	.....	D8/354
D887,820	S	*	6/2020	Zhang	.....	D8/354
D902,163	S	*	11/2020	Ice	.....	D13/179
D944,632	S	*	3/2022	Spearing	.....	D8/382
D945,646	S	*	3/2022	Sudo	.....	D25/133
D945,647	S	*	3/2022	Sudo	.....	D25/133

FOREIGN PATENT DOCUMENTS

EM	003417864		10/2016
GB	6012015	*	5/2017
JP	D1455562	*	11/2012
JP	D1455576		11/2012
JP	D1467807		4/2013
JP	D1451035		9/2015

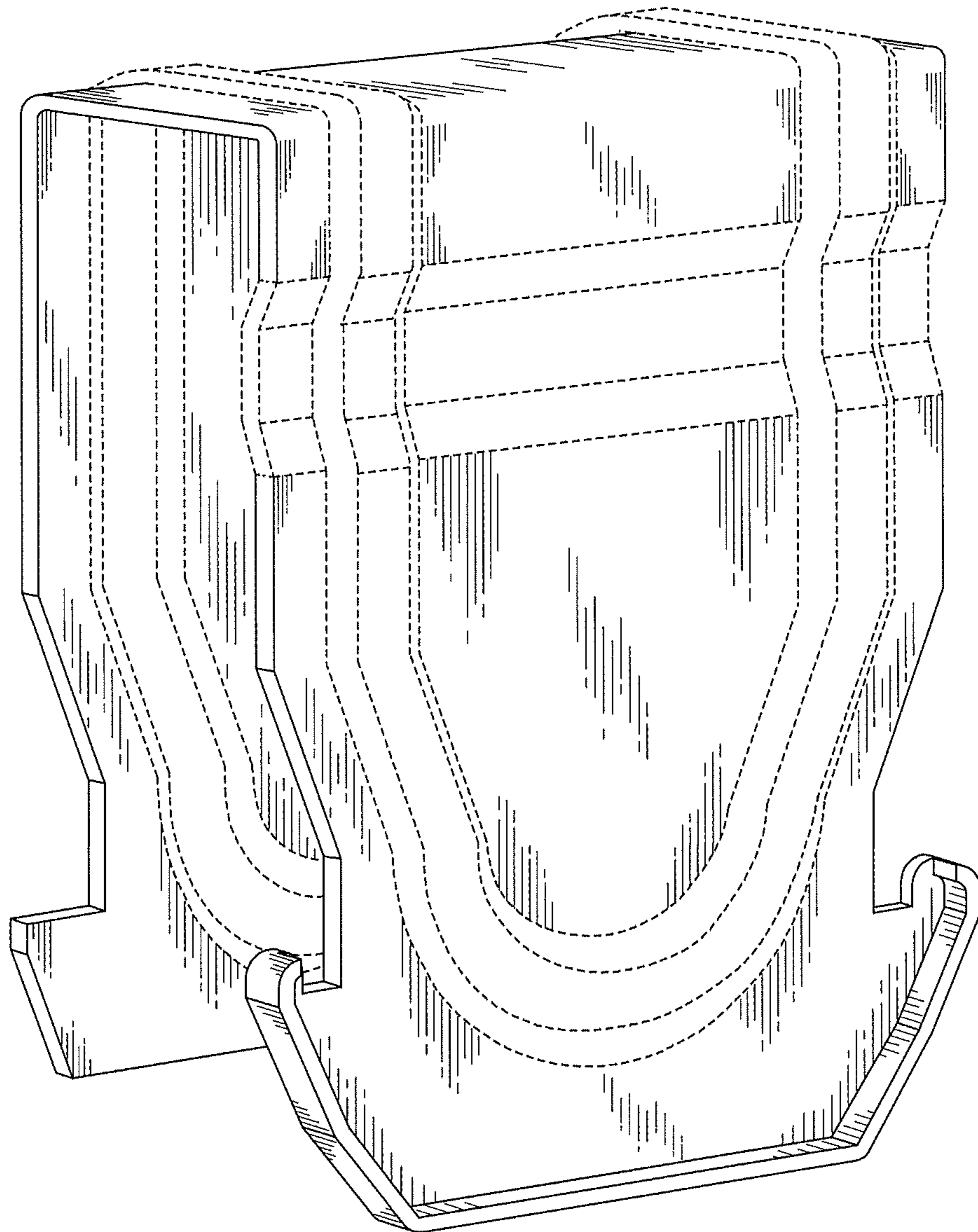
OTHER PUBLICATIONS

M UFC Clip—PTMGI <http://ptmgi.id/product/m-ufc-clip/> Aug. 2017 (Year: 2017).

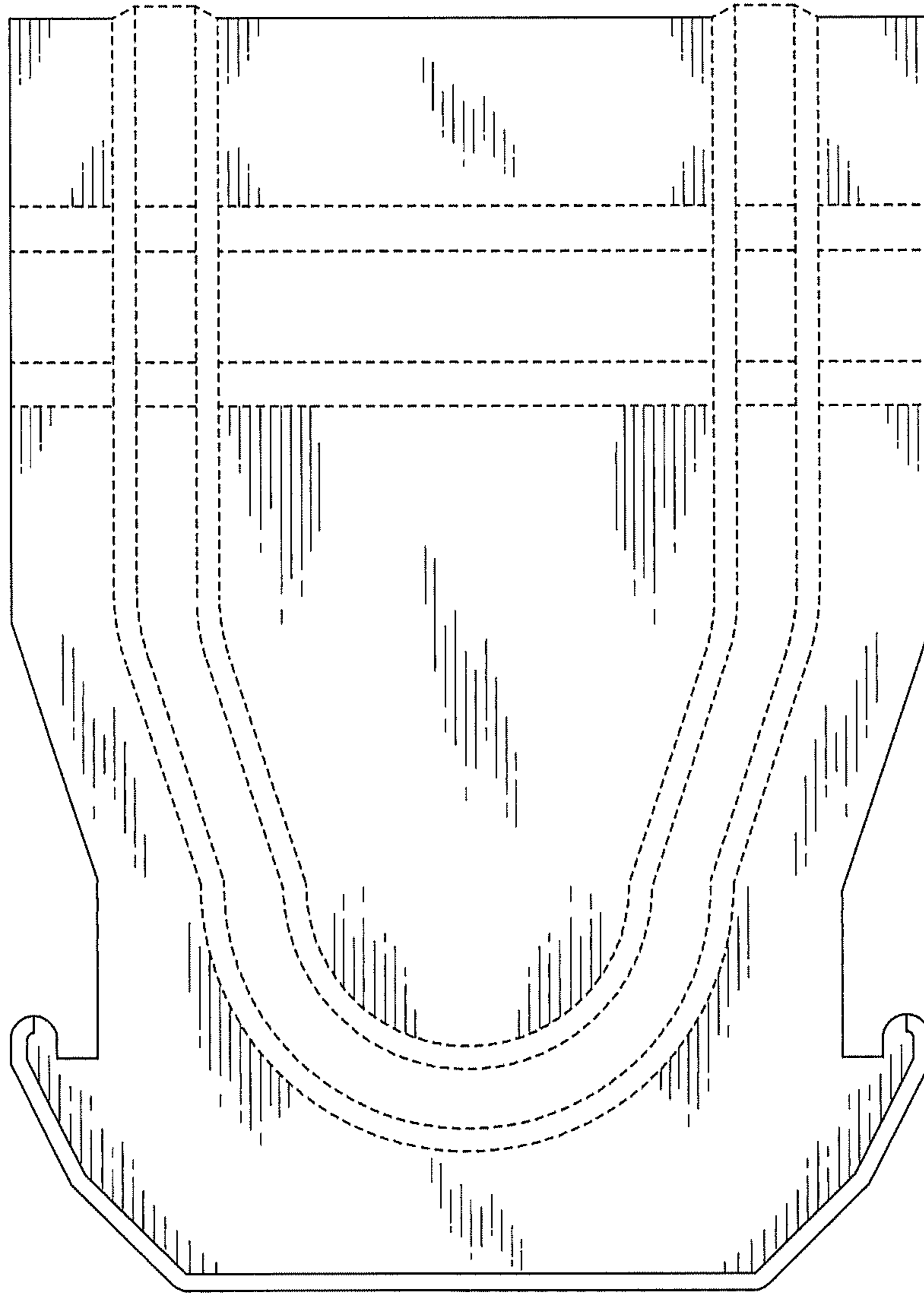
Metal Ceiling clip <https://www.facebook.com/ptmgi.id/photos/a.754341404934069/1126489541052585/?type=3&theater> Posted Jun. 15, 2020 (Year: 2020).

Ex Parte Quayle Action mailed on Oct. 14, 2021 with respect to the related design U.S. Appl. No. 29/738,577.

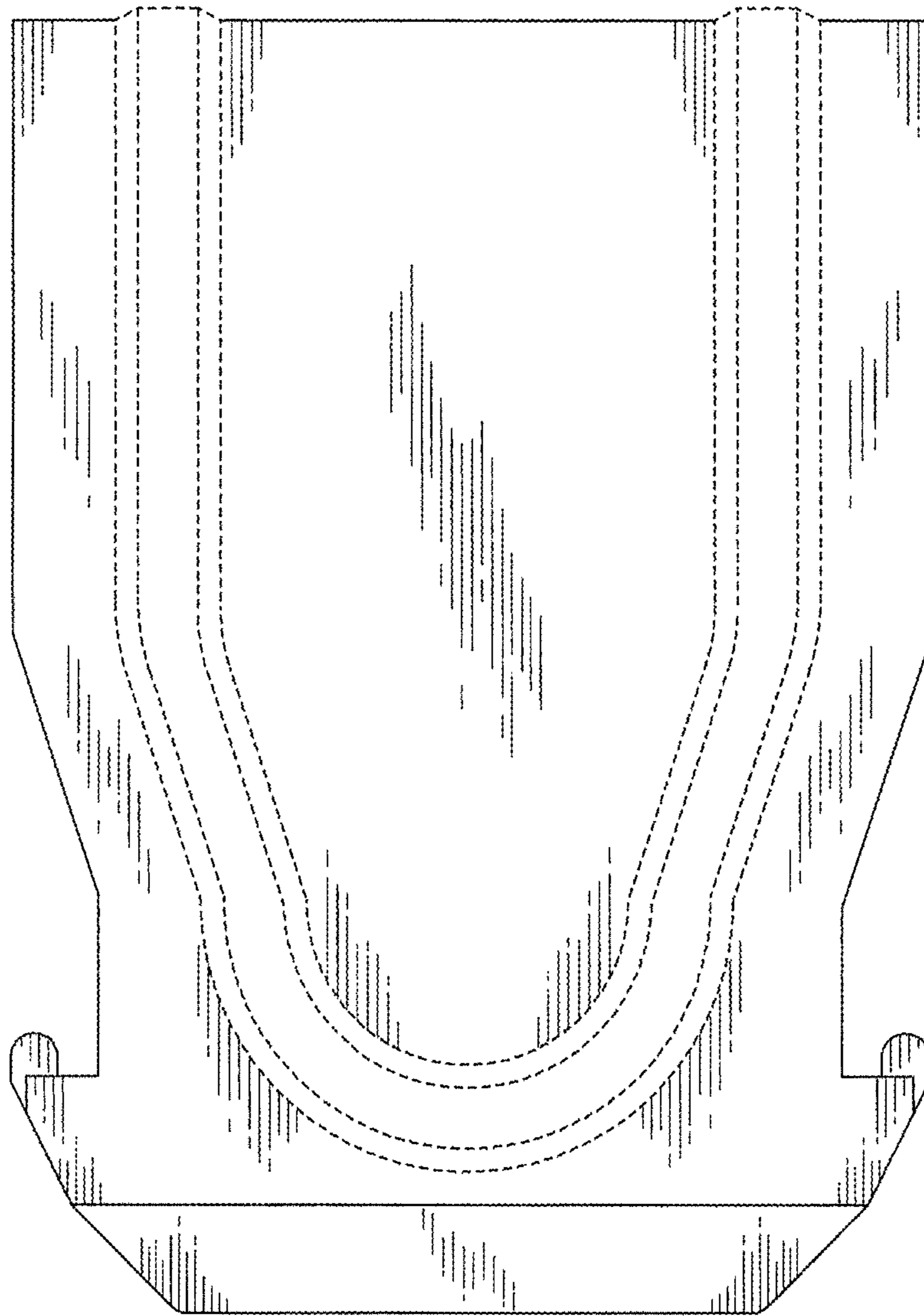
\* cited by examiner



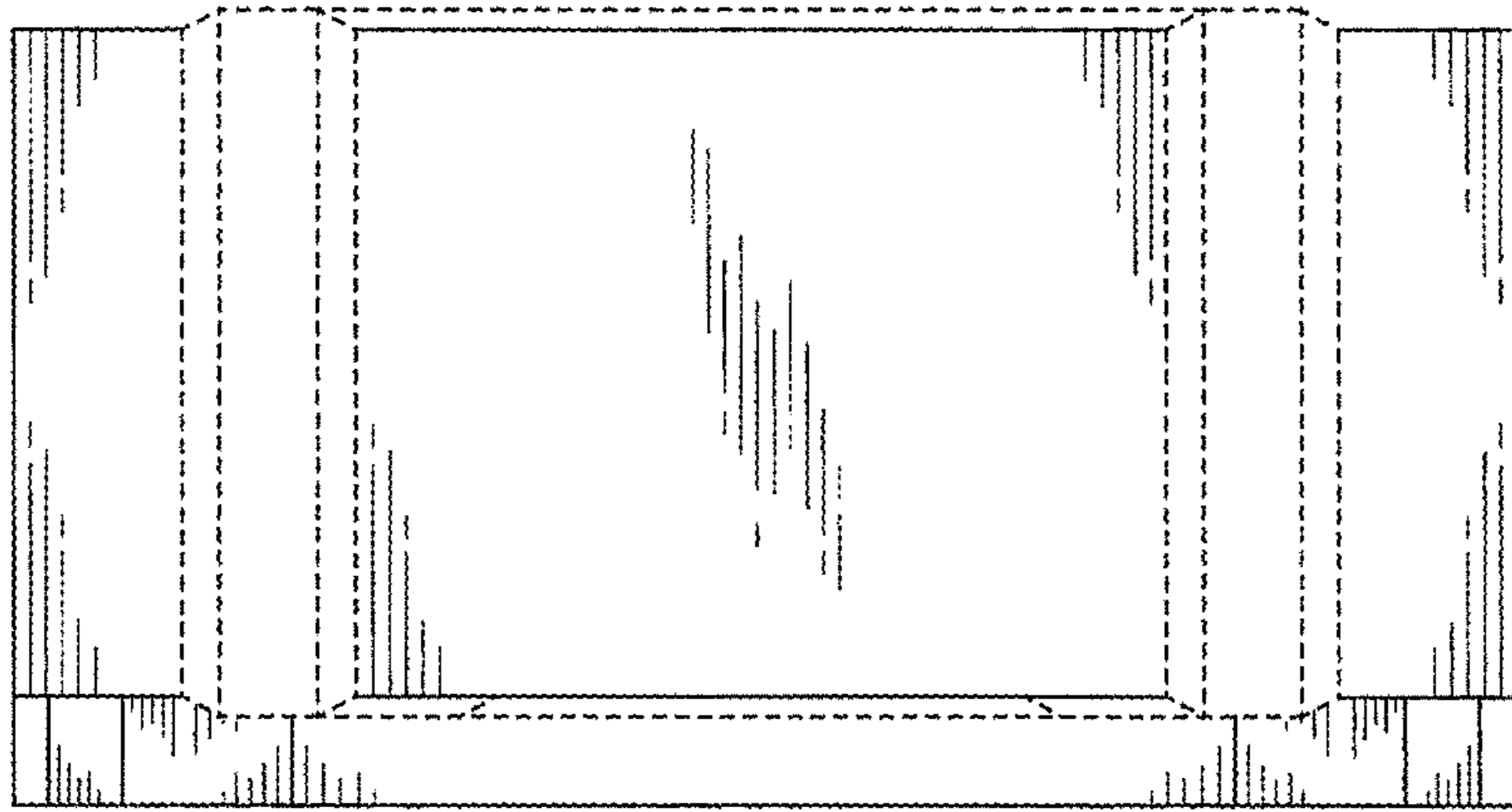
*Fig. 1*



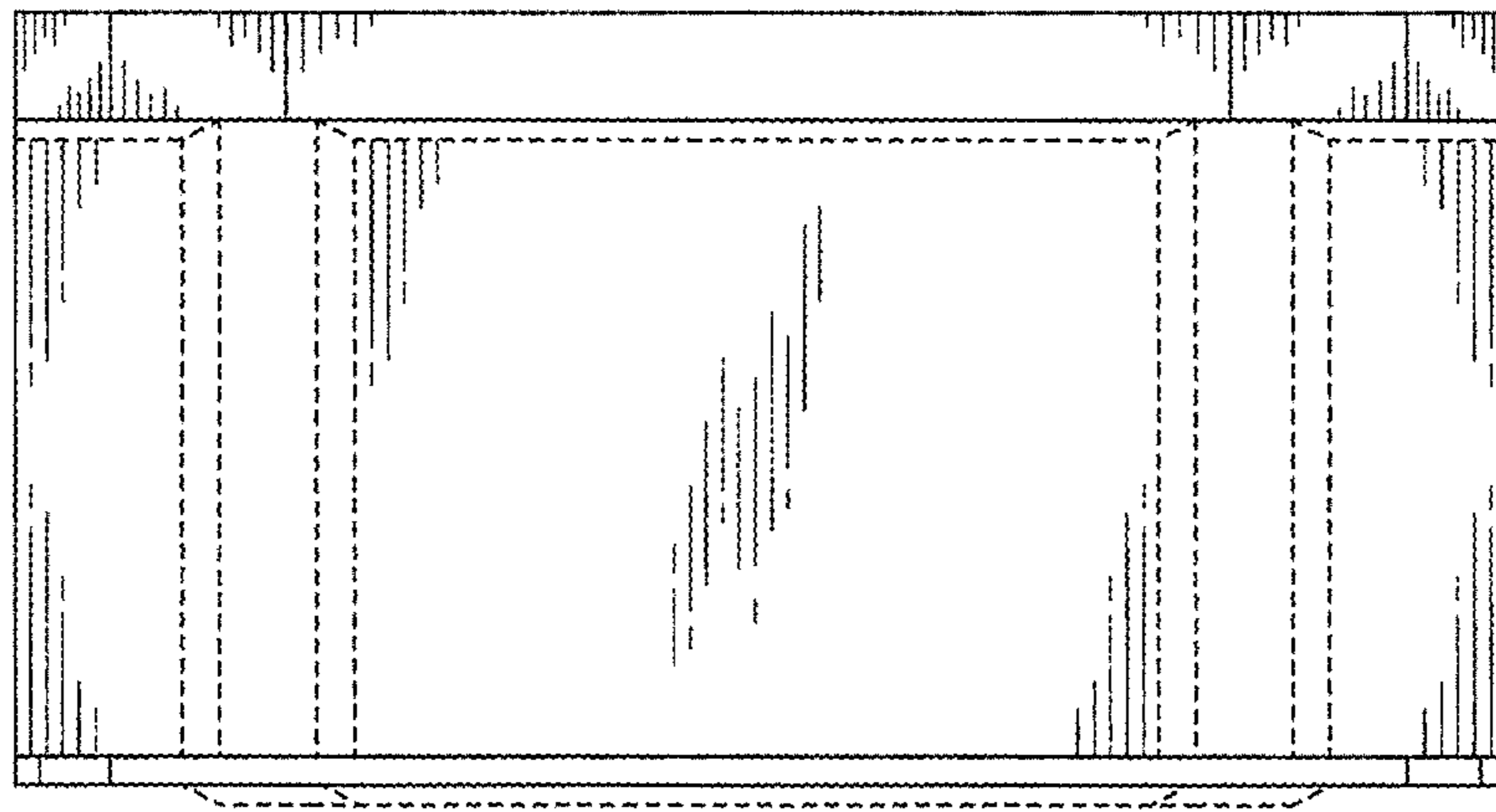
*Fig. 2*



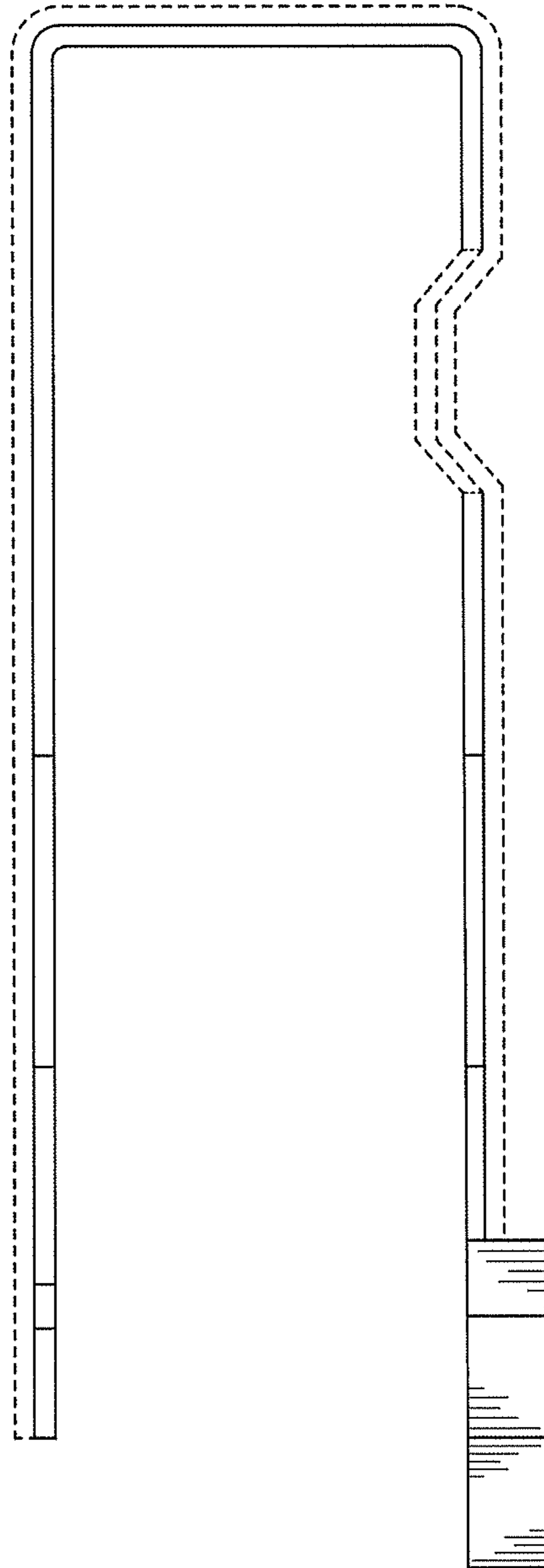
*Fig. 3*



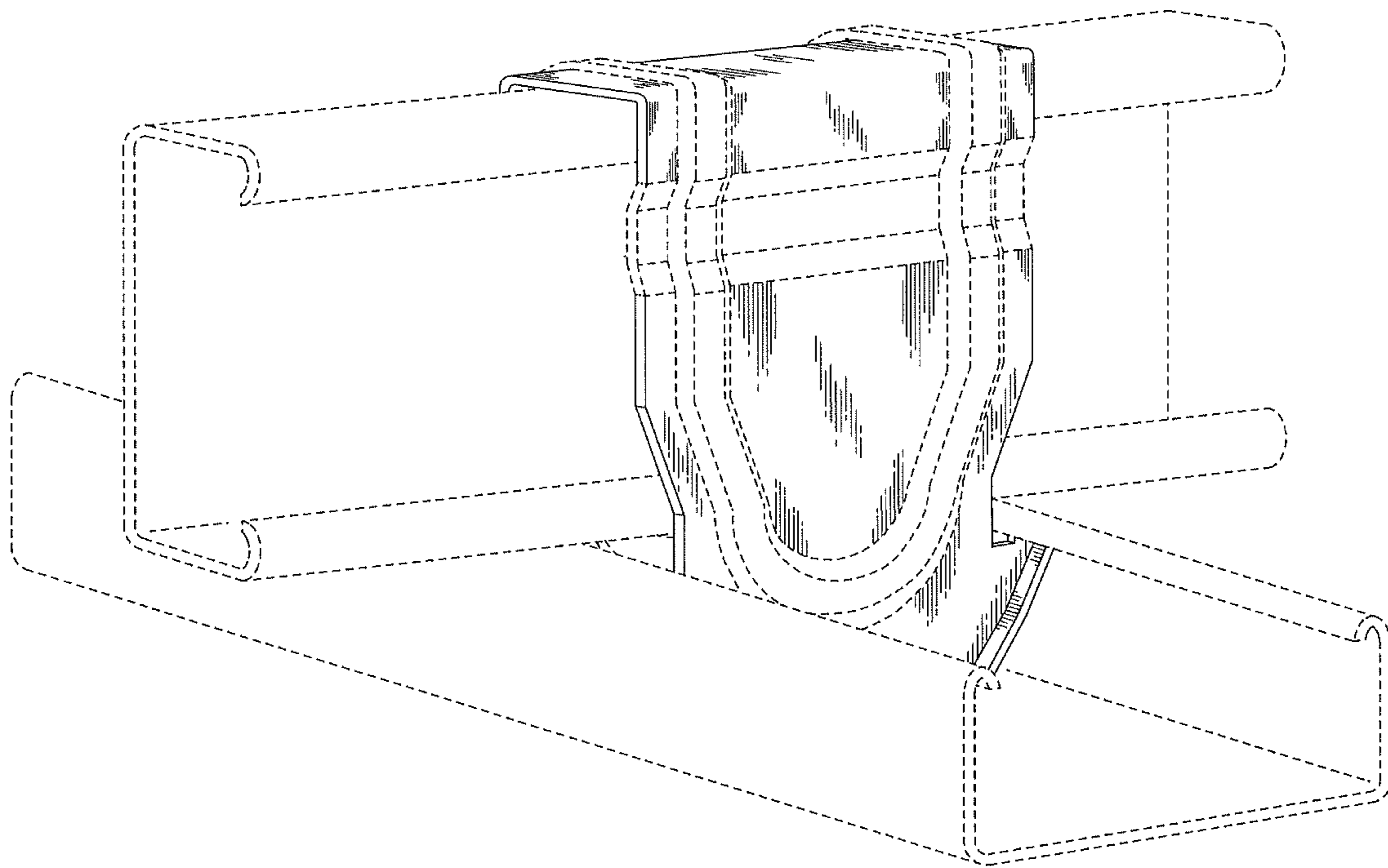
*Fig. 4*



*Fig. 5*



*Fig. 6*



*Fig. 7*