



US00D953580S

(12) **United States Design Patent**
Suga

(10) **Patent No.:** **US D953,580 S**
(45) **Date of Patent:** **** May 31, 2022**

(54) **CONCRETE BUILDING BLOCK**
(71) Applicant: **ASURO Co., LTD.**, Shiraoka (JP)
(72) Inventor: **Masaaki Suga**, Shiraoka (JP)
(**) Term: **15 Years**
(21) Appl. No.: **35/510,618**
(22) Filed: **Apr. 23, 2020**
(80) **Hague Agreement Data**
Int. Filing Date: **Apr. 23, 2020**
Int. Reg. No.: **DM/209487**
Int. Reg. Date: **Apr. 23, 2020**
Int. Reg. Pub. Date: **Oct. 23, 2020**

(30) **Foreign Application Priority Data**
Dec. 6, 2019 (JP) 2019-027111
Dec. 6, 2019 (JP) 2019-027112
Dec. 6, 2019 (JP) 2019-027113
Dec. 6, 2019 (JP) 2019-027114
(51) **LOC (13) Cl.** **25-01**
(52) **U.S. Cl.**
USPC **D25/115**
(58) **Field of Classification Search**
USPC D8/373; D10/113.3; D21/484, 485, 486,
D21/489, 491, 494, 499; D25/38.1, 48.2,
D25/48.4, 60, 112-116, 118, 119, 136,
D25/138, 140, 141, 134, 156, 163, 199
CPC E04B 2/18; E04B 2/54
See application file for complete search history.

(56) **References Cited**
U.S. PATENT DOCUMENTS
308,577 A * 11/1884 Richards F28D 17/02
165/9.1
D138,256 S * 7/1944 McCammon D25/116
2,498,276 A * 2/1950 Kany E04B 2/42
52/438

D225,846 S * 1/1973 Cruzen D25/118
3,855,752 A * 12/1974 Aylon E04B 2/52
52/605
D245,999 S * 10/1977 Strigle, Jr. D25/116
4,094,380 A * 6/1978 Kobayashi E01F 8/0029
181/285
4,473,985 A * 10/1984 Hunt E04B 2/18
52/592.6
5,048,250 A * 9/1991 Elias E04C 1/40
52/437
5,729,943 A * 3/1998 Cambiuzzi E04B 2/46
52/438
D409,313 S * 5/1999 Behunin D25/114
D542,405 S * 5/2007 Esjunin D23/422
D633,630 S * 3/2011 Jacot D25/118
D655,021 S * 2/2012 Oetlinger D25/119
D893,053 S * 8/2020 Bott D25/113
D902,444 S * 11/2020 Suga D25/115

(Continued)

FOREIGN PATENT DOCUMENTS

GB RGN_306013840 * 8/2020
Primary Examiner — Richard Kearney

(57) **CLAIM**

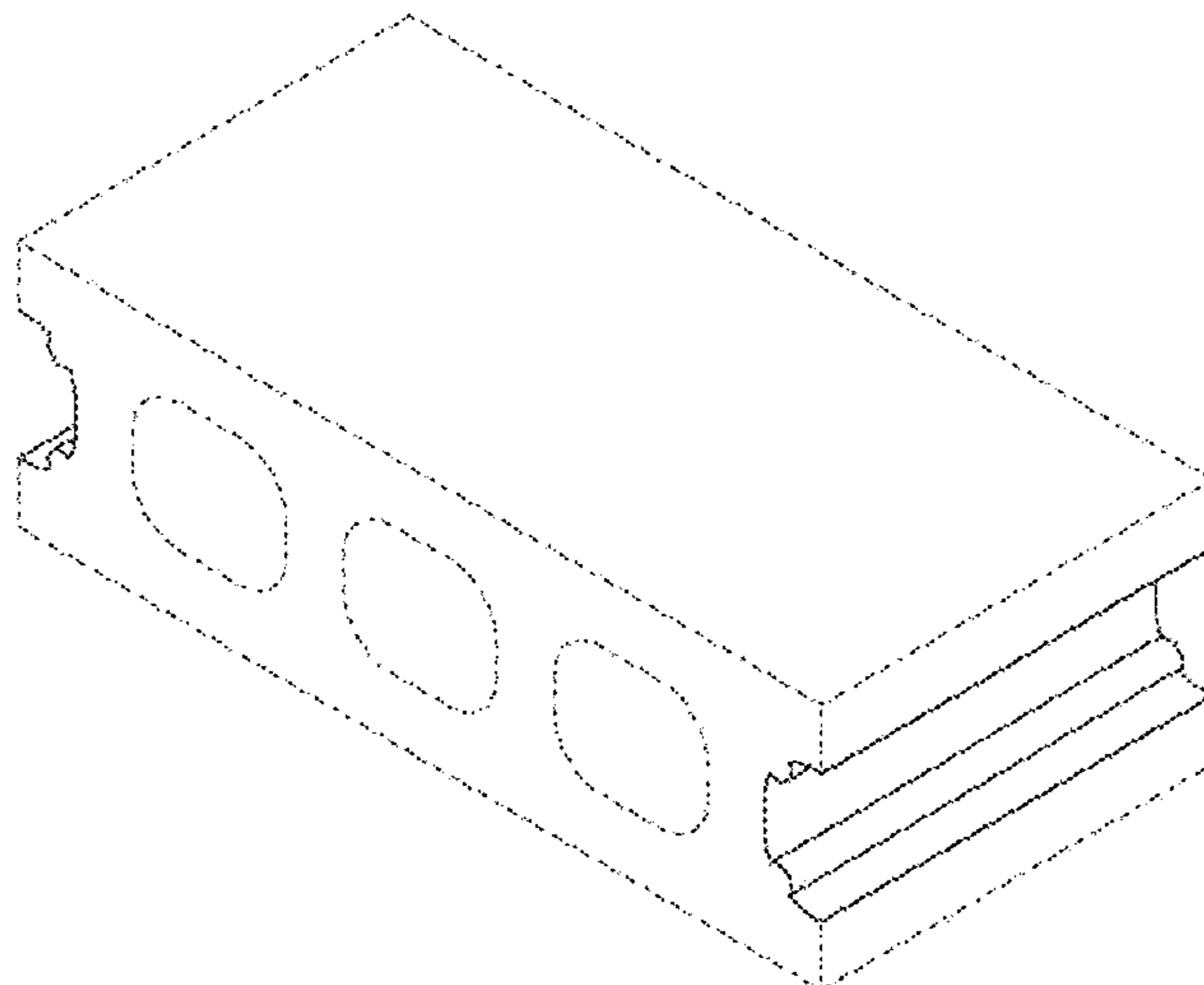
The ornamental design for a concrete building block, as shown and described.

DESCRIPTION

- 3. Concrete building block
- 3.1 : Perspective
- 3.2 : Front
- 3.3 : Back
- 3.4 : Top
- 3.5 : Bottom
- 3.6 : Right
- 3.7 : Left
- 3.8 : Cross sectional

The broken lines shown in FIGS. 3.1-3.8 illustrate portions of the concrete building block that form no part of the claimed design.

1 Claim, 8 Drawing Sheets



(56)

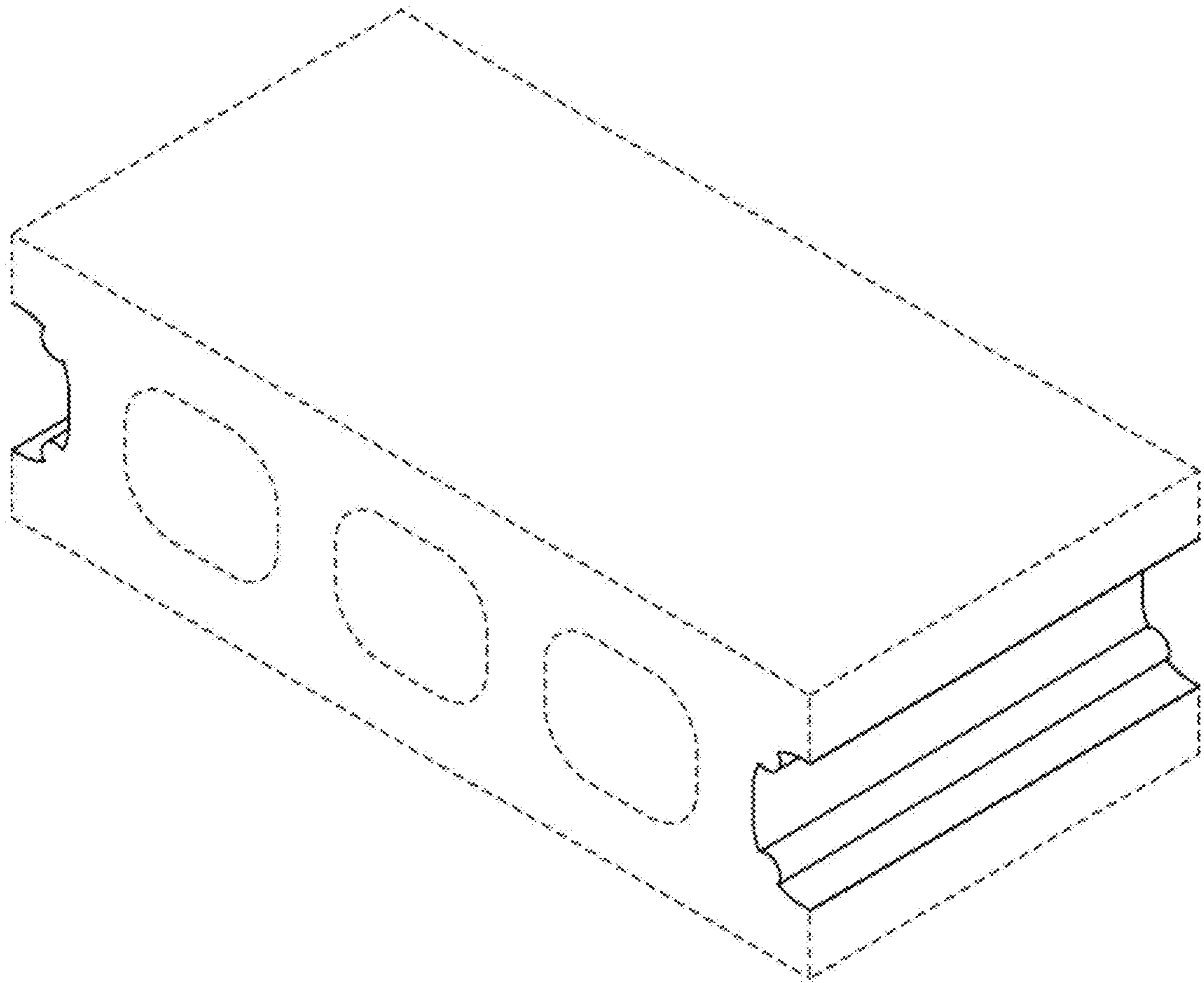
References Cited

U.S. PATENT DOCUMENTS

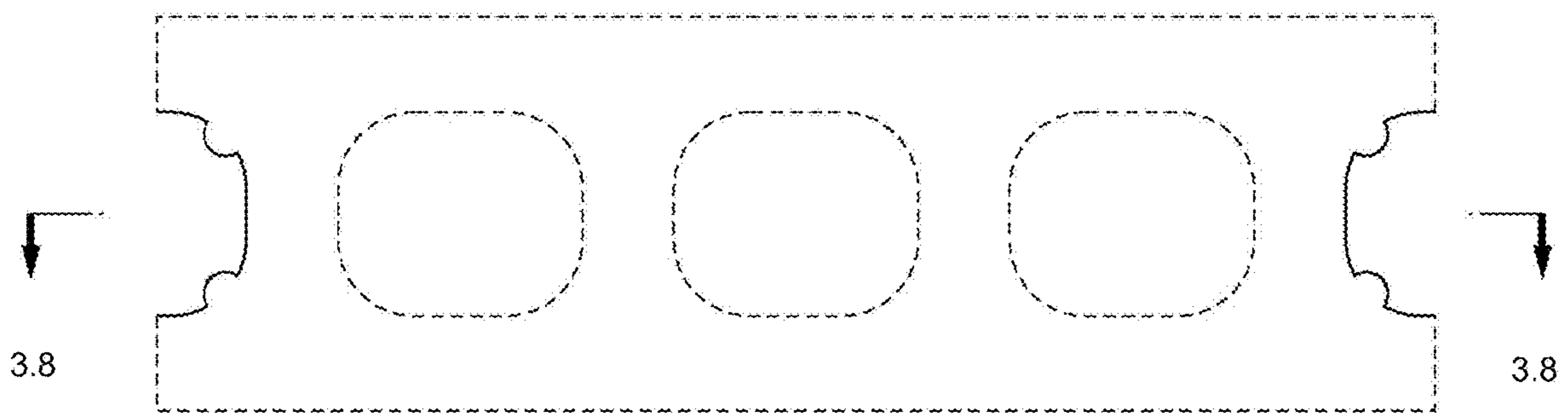
D915,627 S * 4/2021 Phan D25/115
D945,643 S * 3/2022 Suga D25/115
2015/0218805 A1* 8/2015 Jensen E04G 13/021
52/309.4
2020/0032513 A1* 1/2020 Devito E04B 2/54

* cited by examiner

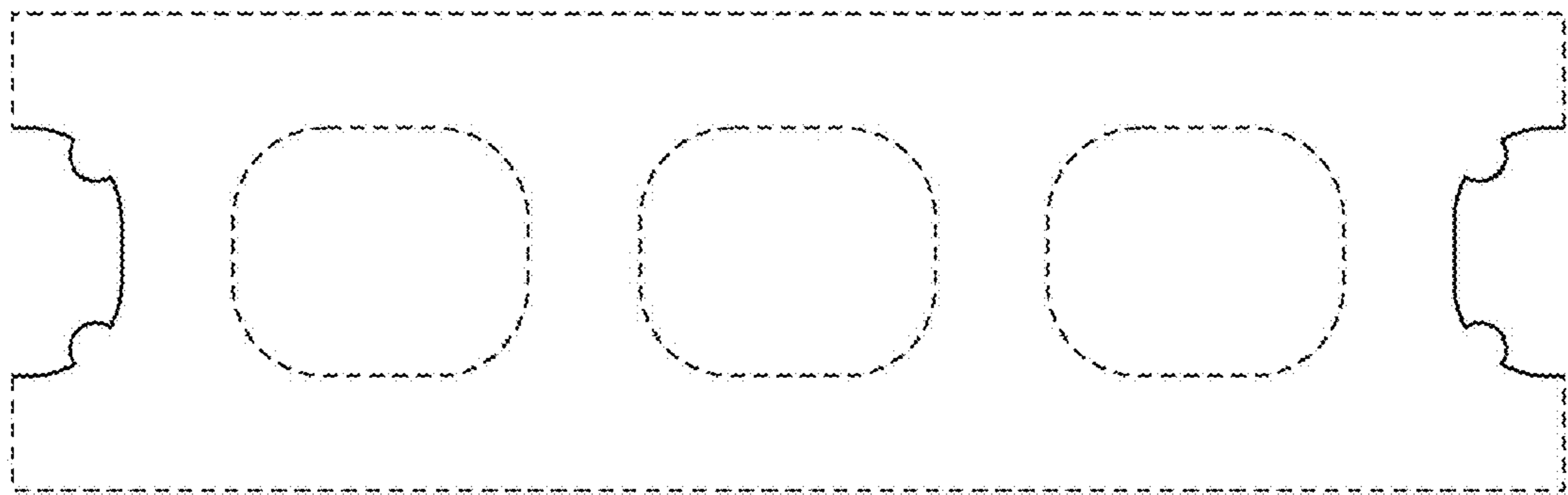
3.1



3.2



3.3



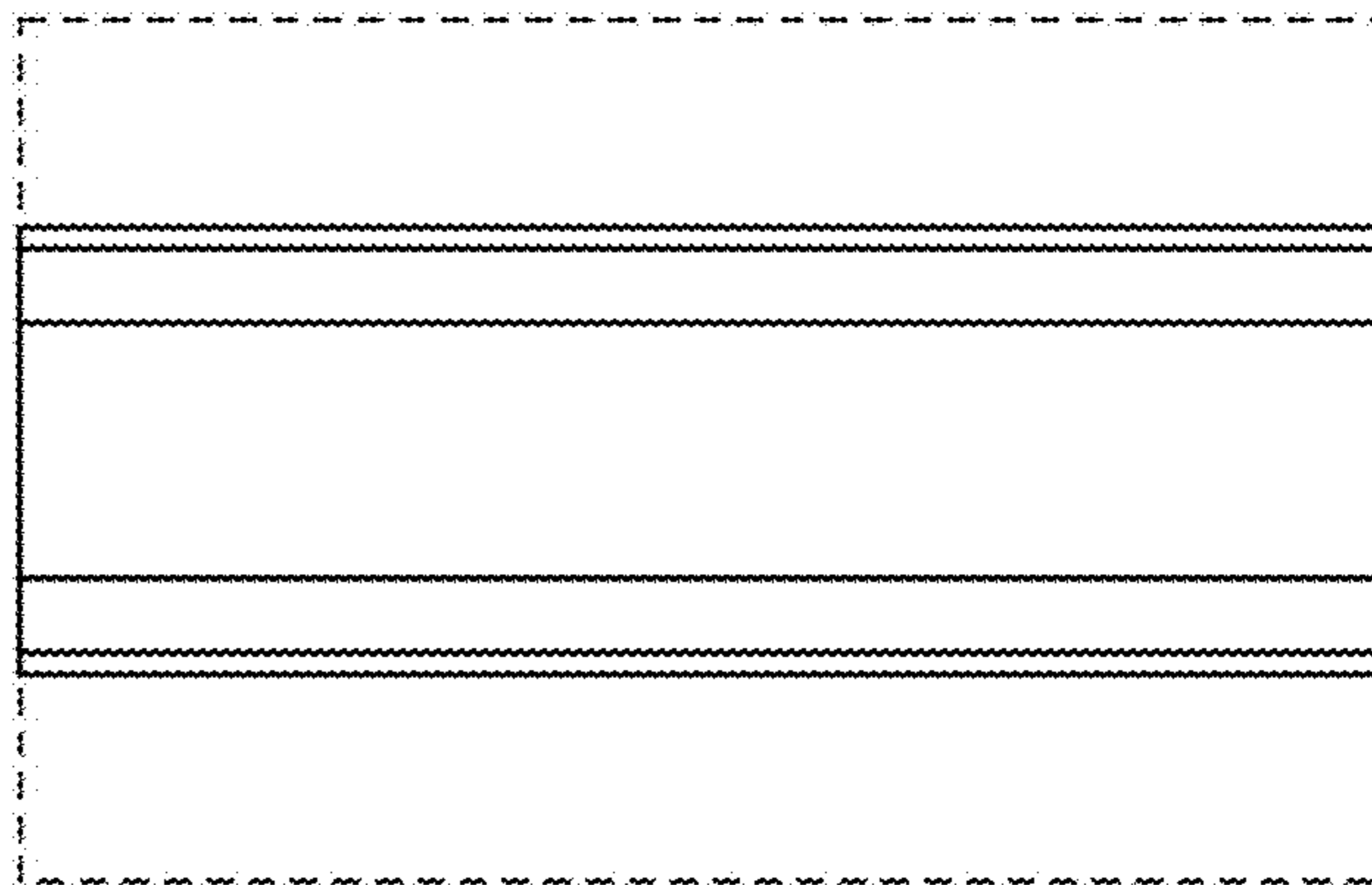
3.4



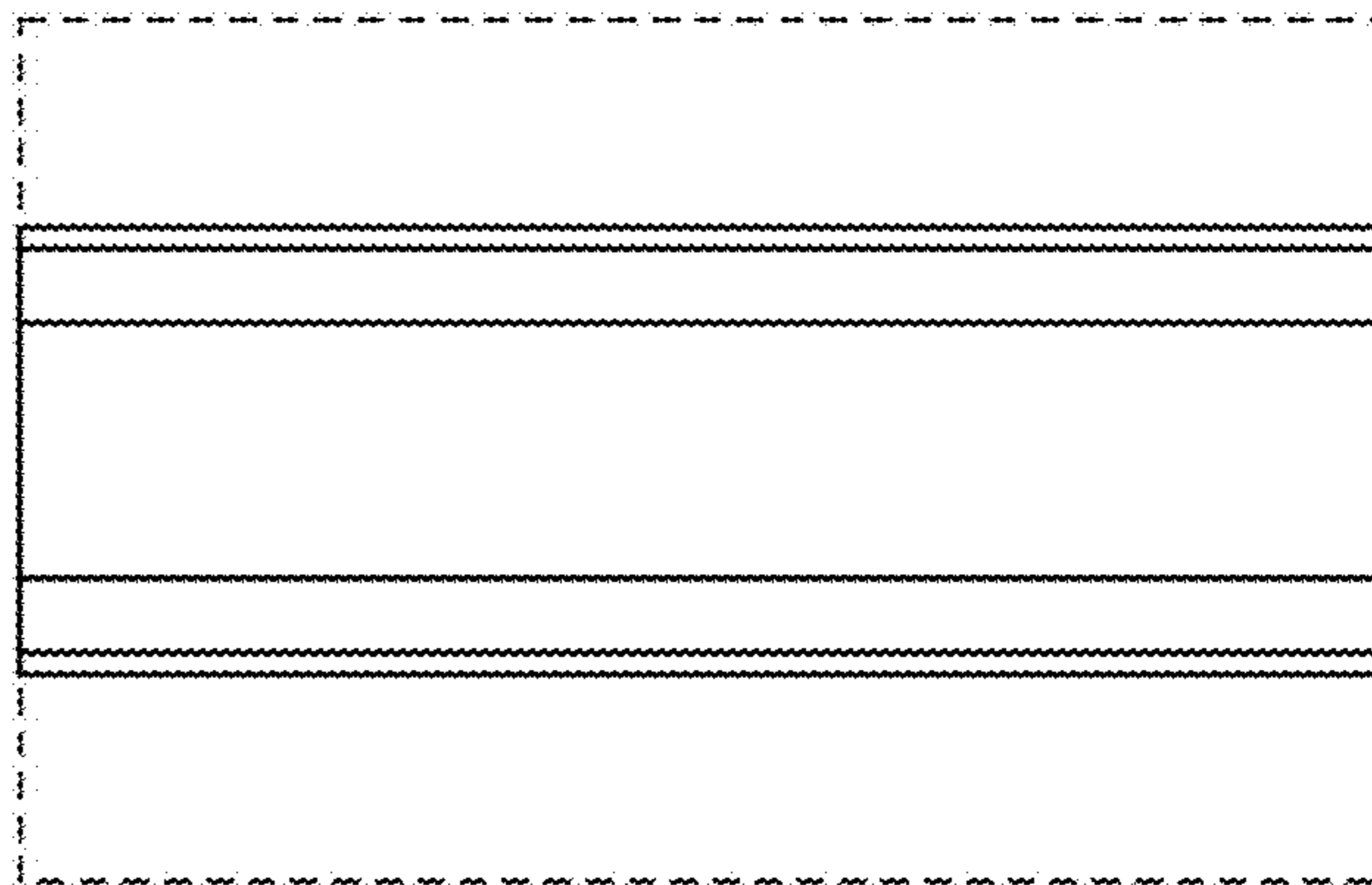
3.5



3.6



3.7



3.8

