



US00D953577S

(12) **United States Design Patent** (10) **Patent No.:** **US D953,577 S**  
**Mazur et al.** (45) **Date of Patent:** **\*\* May 31, 2022**

(54) **MUNTIN BAR ASSEMBLY**  
(71) Applicant: **WWS Acquisition, LLC**, Phoenix, AZ (US)  
(72) Inventors: **Richard Mazur**, Mesa, AZ (US); **Cameron Miles Wyatt**, Gilbert, AZ (US)  
(73) Assignee: **WWS Acquisition LLC**, Phoenix, AZ (US)

D256,729 S \* 9/1980 Carlson ..... D25/136  
4,437,284 A \* 3/1984 Cribben ..... E06B 3/685  
52/204.61  
4,598,520 A 7/1986 Ellstrom  
4,678,487 A \* 7/1987 Cadwell, Jr. .... E04B 9/10  
55/385.1  
4,907,389 A 3/1990 Pettit  
5,040,347 A \* 8/1991 Vai ..... E06B 3/68  
52/204.591  
5,274,976 A \* 1/1994 Burkhart ..... E06B 3/685  
52/314

(Continued)

(\*\*) Term: **15 Years**

FOREIGN PATENT DOCUMENTS

(21) Appl. No.: **29/796,646**

GB 2039783 \* 5/1995

(22) Filed: **Jun. 25, 2021**

OTHER PUBLICATIONS

**Related U.S. Application Data**

Olympia Windows and Doors <https://www.olympiawindows.com/doors/> May 2016 (Year: 2016).\*

(63) Continuation of application No. 29/679,621, filed on Feb. 7, 2019, now Pat. No. Des. 927,017.

(Continued)

(51) **LOC (13) Cl.** ..... **25-01**

*Primary Examiner* — Leanne Was-Englehart

(52) **U.S. Cl.**  
USPC ..... **D25/48.7**

(74) *Attorney, Agent, or Firm* — Taylor English Duma LLP

(58) **Field of Classification Search**  
USPC ..... D8/382; D25/48.7, 48.8, 55, 58, 60, 61, D25/119, 121, 125  
CPC .... E04B 9/14; B60J 1/2094; Y10T 29/49861; E06B 3/6604; E06B 3/667; E06B 3/67321; E06B 3/67326; E06B 3/68; E06B 3/685

(57) **CLAIM**

We claim the ornamental design for a muntin bar assembly, as shown and described.

See application file for complete search history.

**DESCRIPTION**

(56) **References Cited**

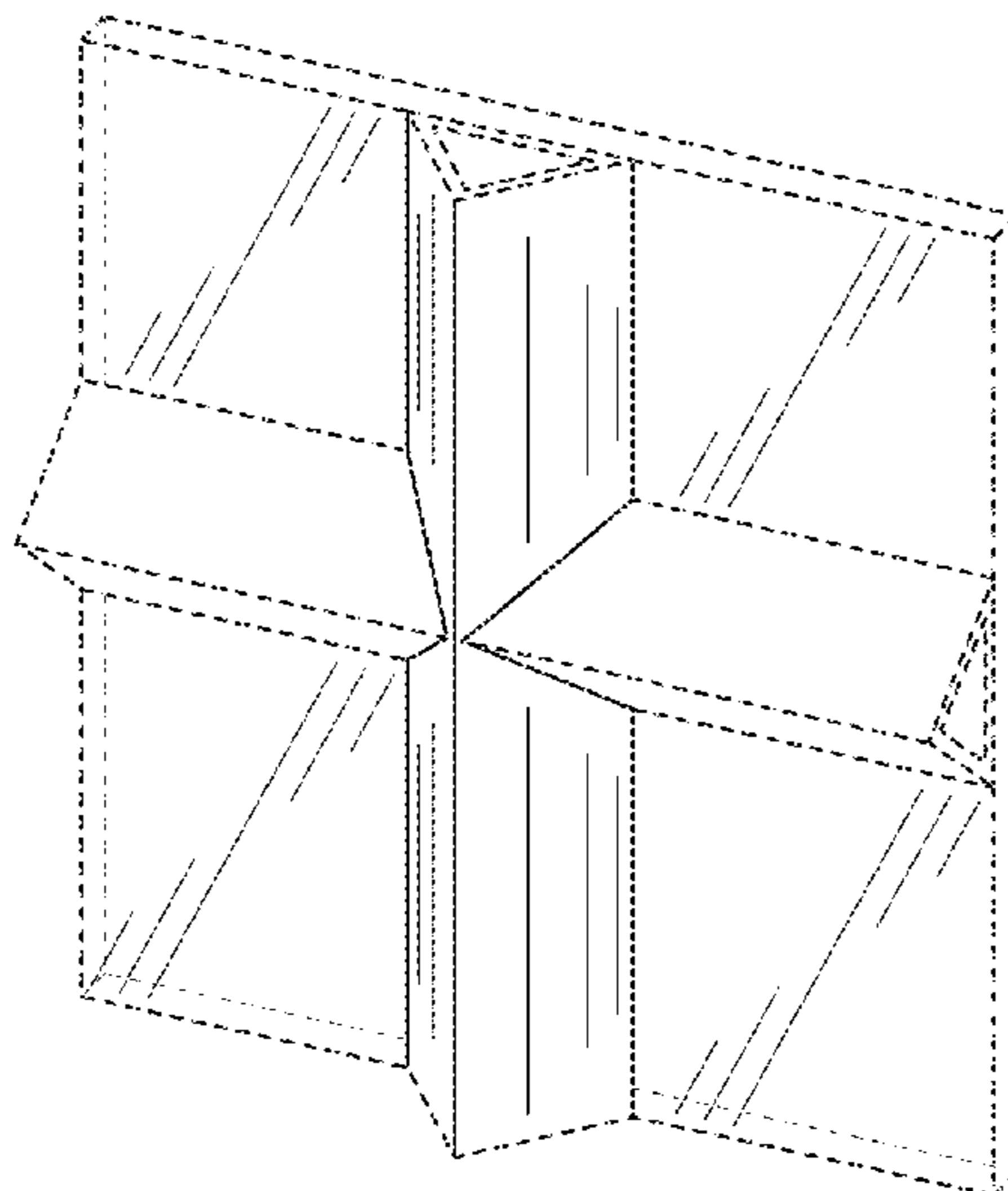
FIG. 1 is a perspective view of a muntin bar assembly. FIG. 2 is a front elevation view thereof. FIG. 3 is a rear elevation view thereof. FIG. 4 is a left-side elevation view thereof. FIG. 5 is a right-side elevation view thereof. FIG. 6 is a top plan view thereof; and, FIG. 7 is a bottom plan view thereof.

U.S. PATENT DOCUMENTS

The invention pertains to an ornamental design for a muntin bar assembly. Those features shown in broken lines form no part of the claimed design.

2,240,591 A \* 5/1941 Waterman ..... E06B 3/68  
52/204.6  
3,307,316 A 3/1967 Gray  
3,308,593 A \* 3/1967 Smith ..... E06B 3/6675  
52/456  
4,060,950 A 12/1977 Rackard et al.  
4,145,858 A 3/1979 Dovman

**1 Claim, 5 Drawing Sheets**



(56)

References Cited

U.S. PATENT DOCUMENTS

5,331,727	A	7/1994	Golen	
D361,134	S *	8/1995	Bischel	D25/55
D361,135	S *	8/1995	Bischel	D25/55
D361,387	S *	8/1995	Bischel	D25/55
D361,388	S *	8/1995	Bischel	D25/55
D361,389	S *	8/1995	Bischel	D25/55
5,617,684	A *	4/1997	Sheath	E06B 3/68 52/204.57
6,035,597	A	3/2000	Donaldson	
6,708,384	B2	3/2004	McGlinchy	
D495,063	S *	8/2004	Barnard	D25/103
D498,306	S *	11/2004	Chaussy, Jr.	D25/48.7
6,898,914	B2	5/2005	Folsom et al.	
7,464,514	B2	12/2008	Hanggli	
7,716,885	B2	5/2010	Reichert	
D668,784	S *	10/2012	Myles	D25/48.7
D700,359	S *	2/2014	Elizarraras	D25/55
D710,027	S *	7/2014	Myles	D25/48.7
D710,029	S *	7/2014	Myles	D25/48.7
D793,580	S *	8/2017	Staton	D25/60
D799,719	S *	10/2017	Staton	D25/48.7
10,415,302	B2	9/2019	Vander Bent, Jr. et al.	
10,550,626	B1 *	2/2020	Medina	E06B 3/12
D902,023	S	11/2020	Briese	
D927,017	S *	8/2021	Mazur	D25/48.7
2001/0034990	A1	11/2001	Reichert	
2009/0313922	A1	12/2009	Yun	
2016/0102492	A1 *	4/2016	Cai	E06B 3/68 52/204.6
2020/0370361	A1	11/2020	Zehner	

OTHER PUBLICATIONS

M2M triangle tubes <http://www.m2m-alu.com/en/tube-triangulaire.php> Jan. 15, 2019 (Year: 2019).\*

Mazur, Richard; Final Office Action for U.S. Appl. No. 16/752,538, filed Jan. 24, 2020, dated May 28, 2021, 14 pgs.

Mazur, Richard; Non-Final Office Action for U.S. Appl. No. 16/752,538, filed Jan. 24, 2020, dated Feb. 16, 2021, 14 pgs.

Mazur, Richard; Requirement for Restriction/Election for U.S. Appl. No. 16/752,538, filed Jan. 24, 2020, dated Dec. 16, 2020, 8 pgs.

Like Steel Unlike Anything Else Western Window Systems <https://www.westernwindowssystems.com/simulated-steel-line> Jul. 2019 (Year: 2019).

Mazur, Richard; Final Office Action for Design U.S. Appl. No. 29/679,621, filed Feb. 7, 2019, dated Dec. 30, 2020, 6 pgs.

Mazur, Richard; Non-Final Office Action for Design U.S. Appl. No. 29/679,621, filed Feb. 7, 2019, dated Sep. 4, 2020, 12 pgs.

Mazur, Richard; Notice of Allowance for Design U.S. Appl. No. 29/679,621, filed Feb. 7, 2019, dated Mar. 24, 2021, 12 pgs.

Mazur, Richard; Non-Final Office Action for U.S. Appl. No. 16/752,538, filed Jan. 24, 2020, dated Nov. 8, 2021, 22 pgs.

Vinyl Windows Signature Elite Vinyl Replacement Windows—Gentek <https://gentekinc.com/product-catalog/windows/signature-elite-vinyl-windows/> Sep. 2020 (Year: 2020), 4 pgs.

San Diego Replacement Window Grids\_ BM Windows <https://www.bmwindowssca.com/grid-options-san-diego-replacement-window-customers> Jun. 2016 (Year: 2016), 3 pgs.

Fancy Windows <https://www.fancywindows.com/picture-windows.html> Jul. 1, 2019 (Year: 2019), 2 pgs.

MJ Windows <https://www.mjwindows.ca/products/grids-muntin-bars/> Sep. 4, 2018 (Year: 2018), 1 pg.

\* cited by examiner

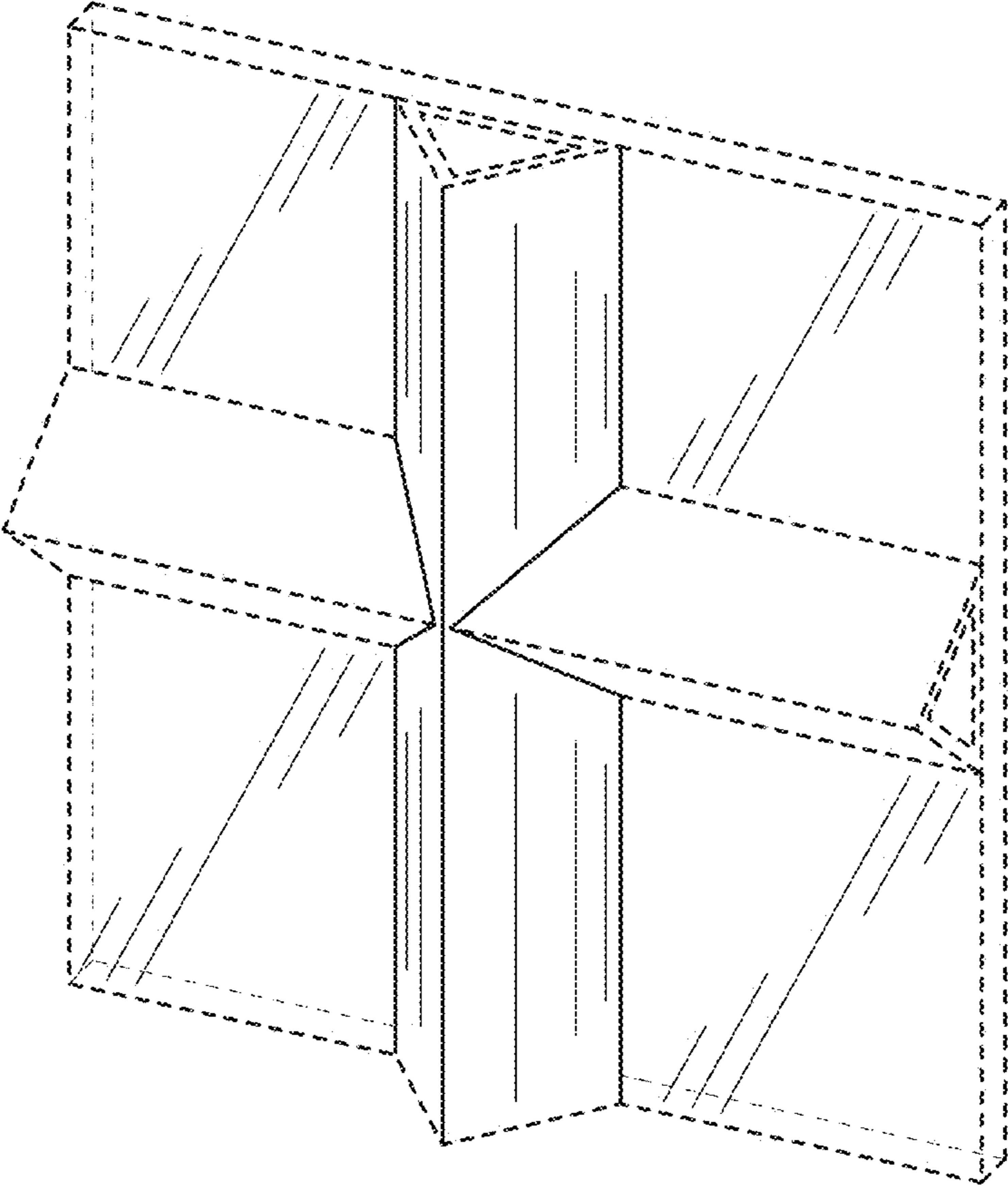


FIG. 1

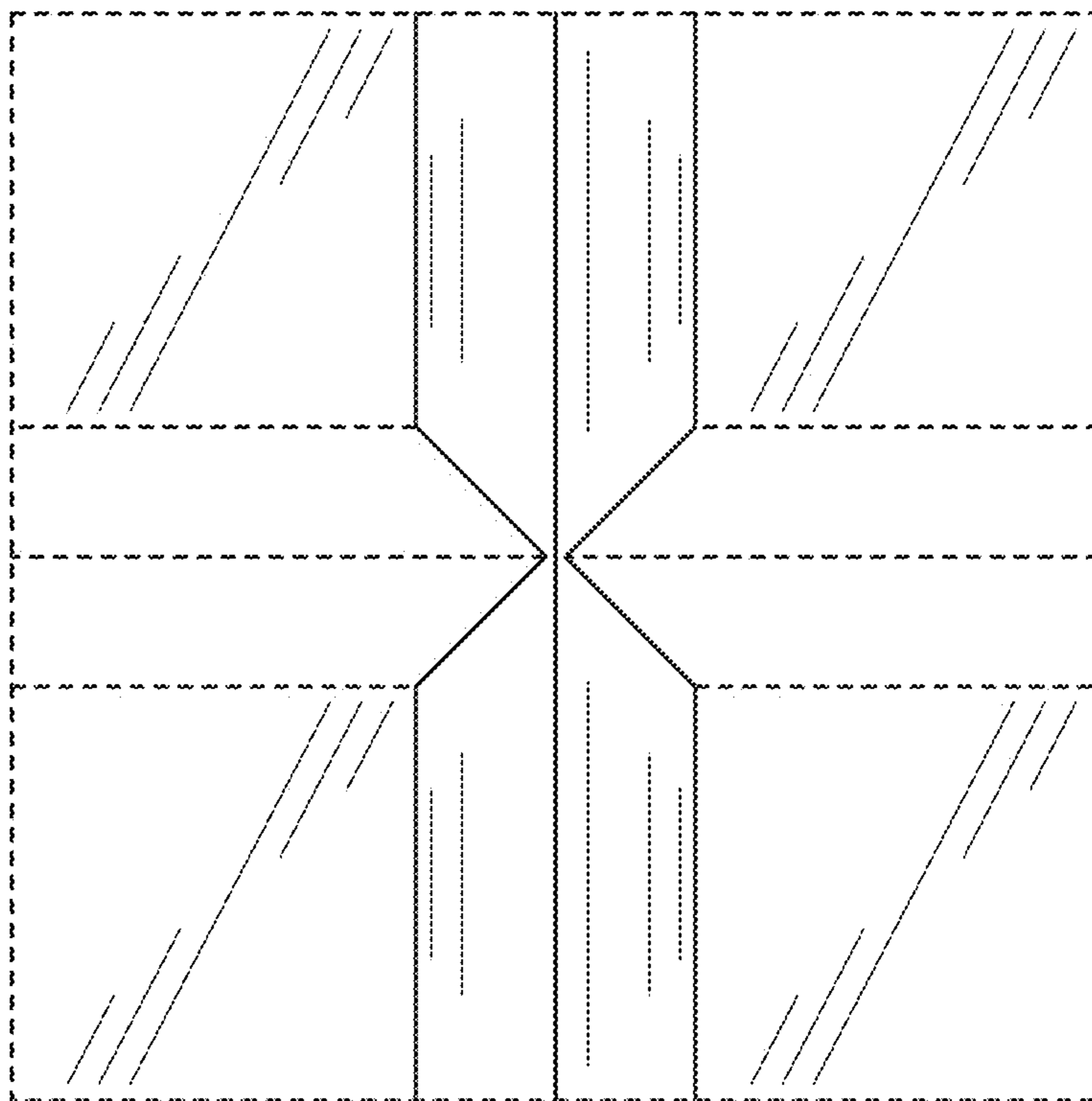


FIG. 2

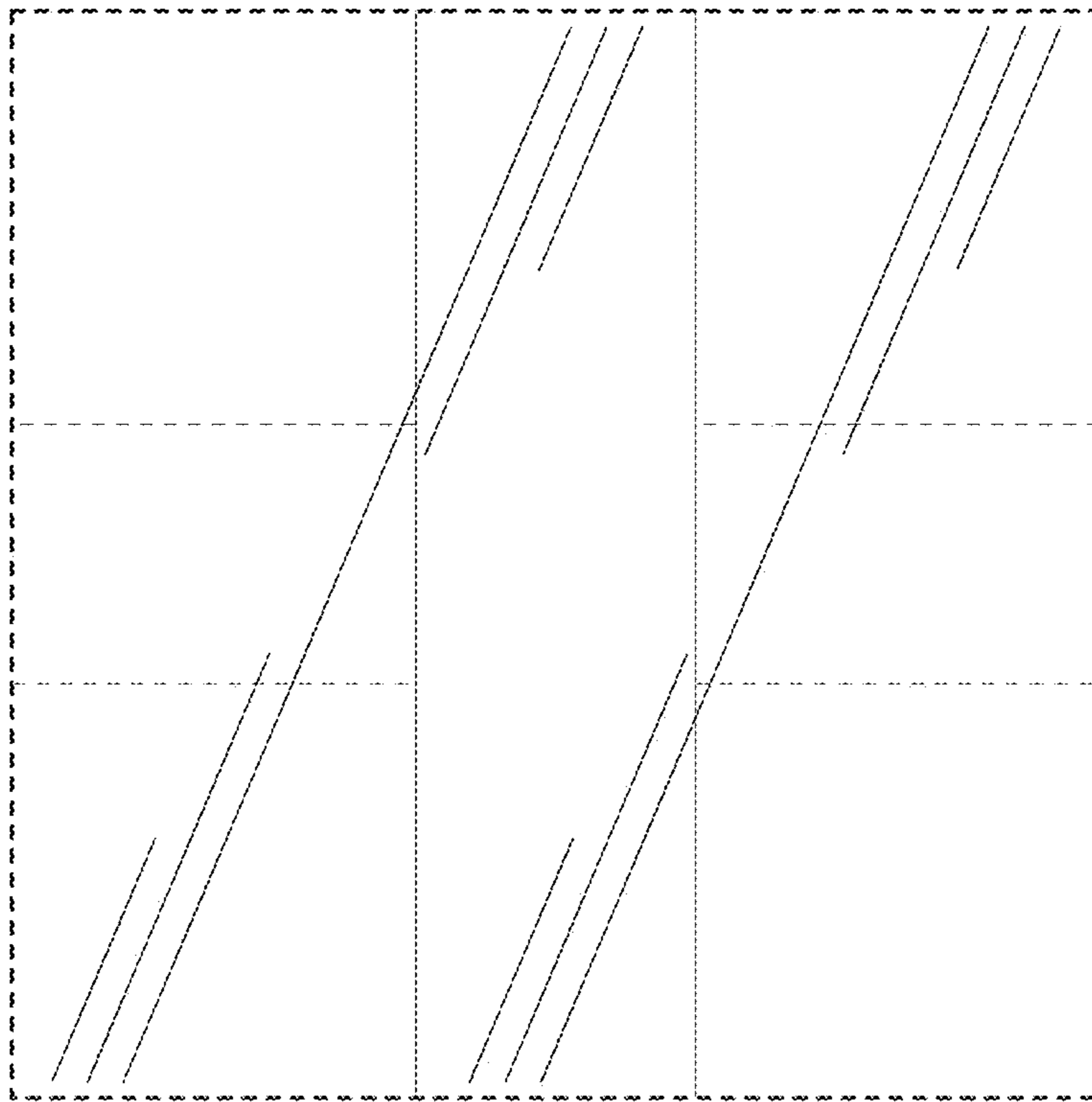


FIG. 3

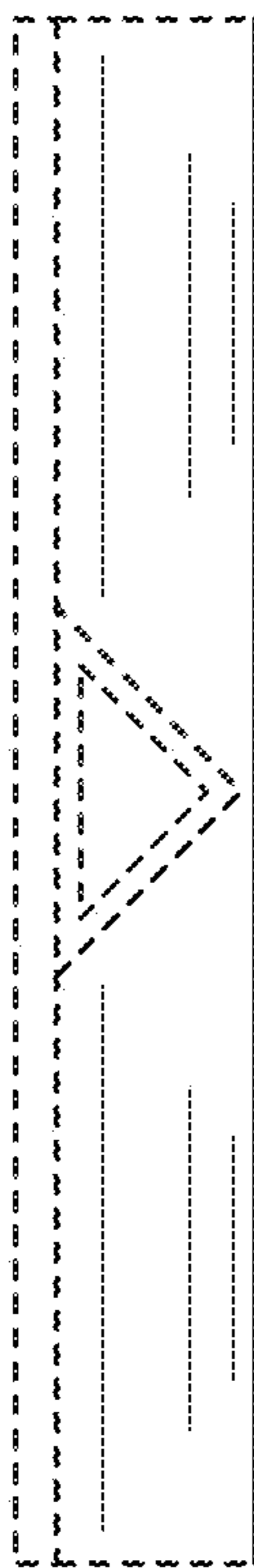


FIG. 4

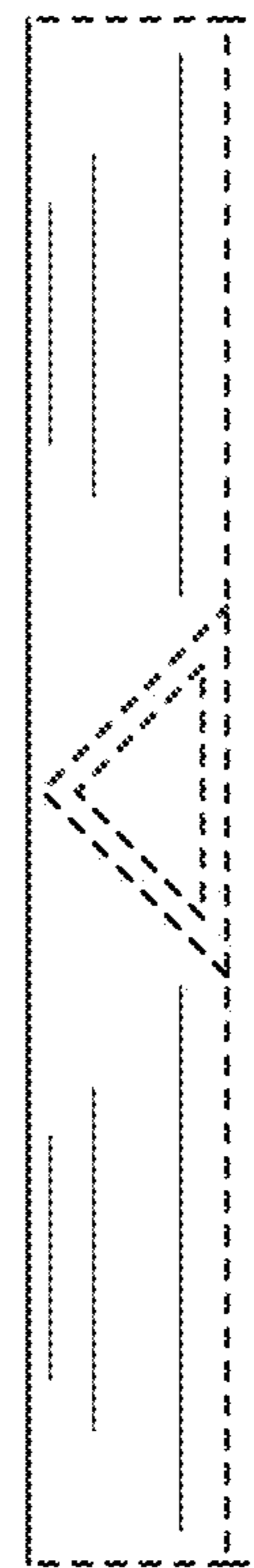


FIG. 5

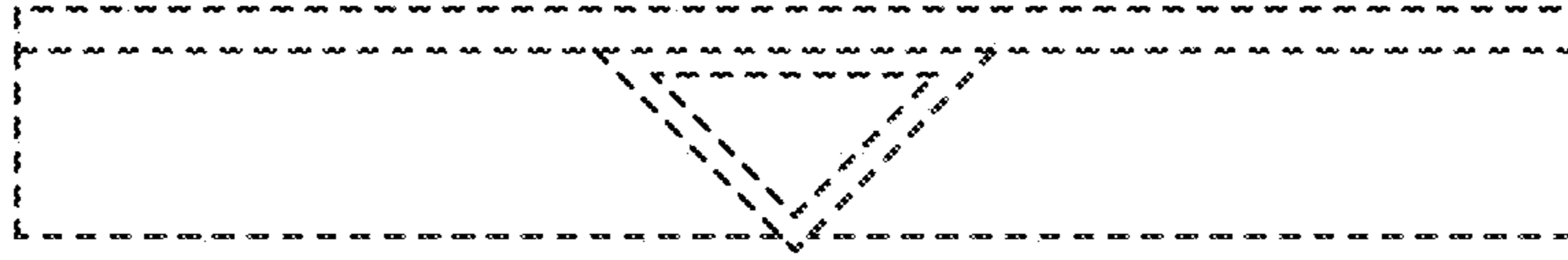


FIG. 6

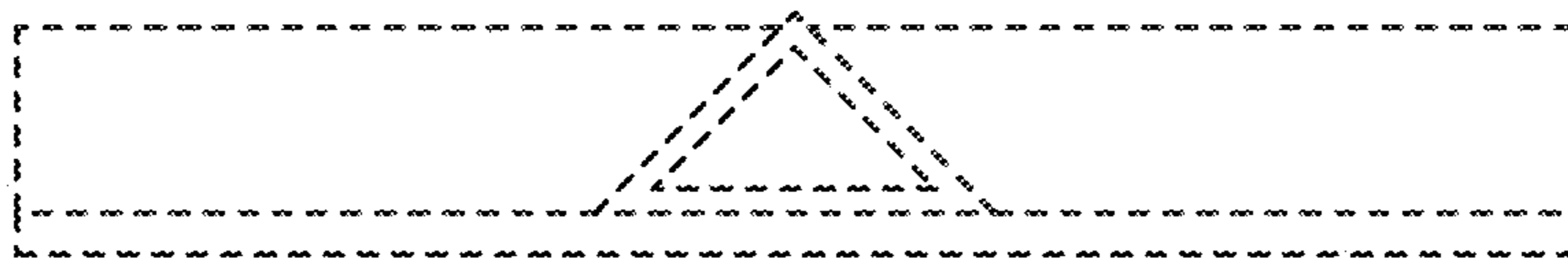


FIG. 7