



US00D953574S

(12) **United States Design Patent**
Taylor et al.

(10) **Patent No.:** **US D953,574 S**
(45) **Date of Patent:** **** May 31, 2022**

(54) **FLOW CELL CARTRIDGE**

(71) Applicant: **Illumina, Inc.**, San Diego, CA (US)

(72) Inventors: **Jay Taylor**, San Diego, CA (US);
James Osmus, San Diego, CA (US);
Philip Paik, San Diego, CA (US); **Jack**
Godfrey Wood, San Diego, CA (US);
Carlos Dominguez, San Diego, CA
(US); **Max Pollock**, San Diego, CA
(US)

(73) Assignee: **Illumina, Inc.**, San Diego, CA (US)

(**) Term: **15 Years**

(21) Appl. No.: **29/714,665**

(22) Filed: **Nov. 25, 2019**

(51) **LOC (13) Cl.** **24-99**

(52) **U.S. Cl.**
USPC **D24/232; D24/224**

(58) **Field of Classification Search**
USPC D24/107, 108, 119, 121, 162, 169, 186,
D24/201, 216-232; D10/75, 80, 81
(Continued)

(56) **References Cited**

U.S. PATENT DOCUMENTS

D333,630 S 3/1993 Marks
D351,913 S 10/1994 Hieb et al.
(Continued)

FOREIGN PATENT DOCUMENTS

RU 109136 S 6/2018

OTHER PUBLICATIONS

G4212-60032—3.7mm HDR max light cartridge cell. Online, published date unknown. Retrieved on Apr. 12, 2021 from URL: <https://www.chromtech.com/g4212-60032-37mm-hdr-max-light-cartridge-cell>.*

(Continued)

Primary Examiner — Omeed Agilee

(74) *Attorney, Agent, or Firm* — Heslin Rothenberg
Farley & Mesiti, P.C.

(57) **CLAIM**

We claim the ornamental design for a flow cell cartridge, as shown and described.

DESCRIPTION

FIG. 1 is a rear top perspective view of a flow cell cartridge comprising our new design;

FIG. 2 is a top plan view of the design in FIG. 1;

FIG. 3 is a bottom plan of the design of FIG. 1;

FIG. 4 is a right side elevational view of the design of FIG. 1;

FIG. 5 is a left side elevational view of the design of FIG. 1;

FIG. 6 is a front elevational view of the design of FIG. 1;

FIG. 7 is an enlarged rear elevational view of the design of FIG. 1;

FIG. 8 is a rear top perspective view of an alternate embodiment of the design shown in FIG. 1;

FIG. 9 is a top plan view of the design in FIG. 8;

FIG. 10 is a bottom plan view of the design of FIG. 8;

FIG. 11 is a right side elevational view of the design of FIG. 8;

FIG. 12 is a left side elevational view of the design of FIG. 8;

FIG. 13 is a front elevational view of the design of FIG. 8;

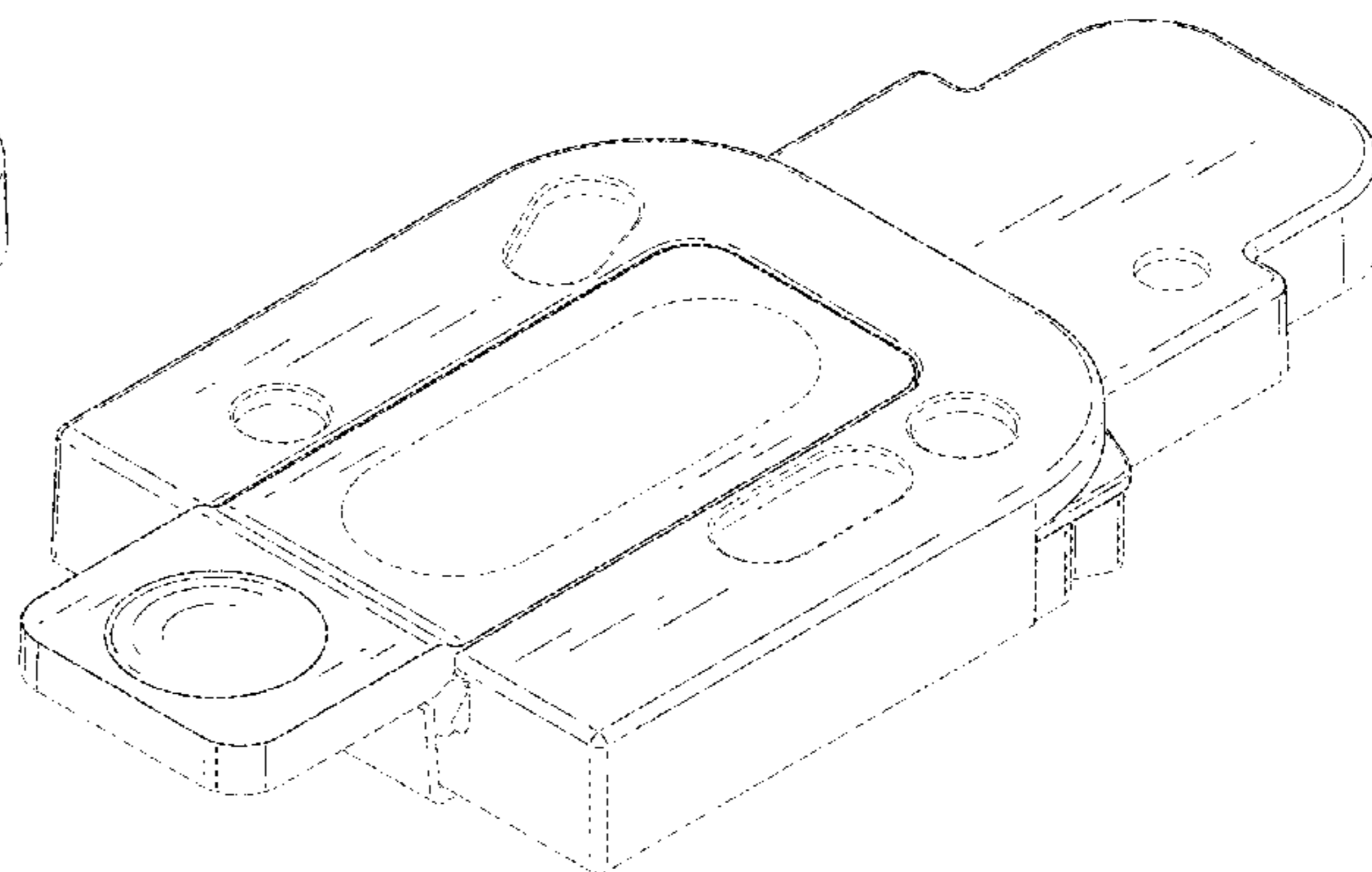
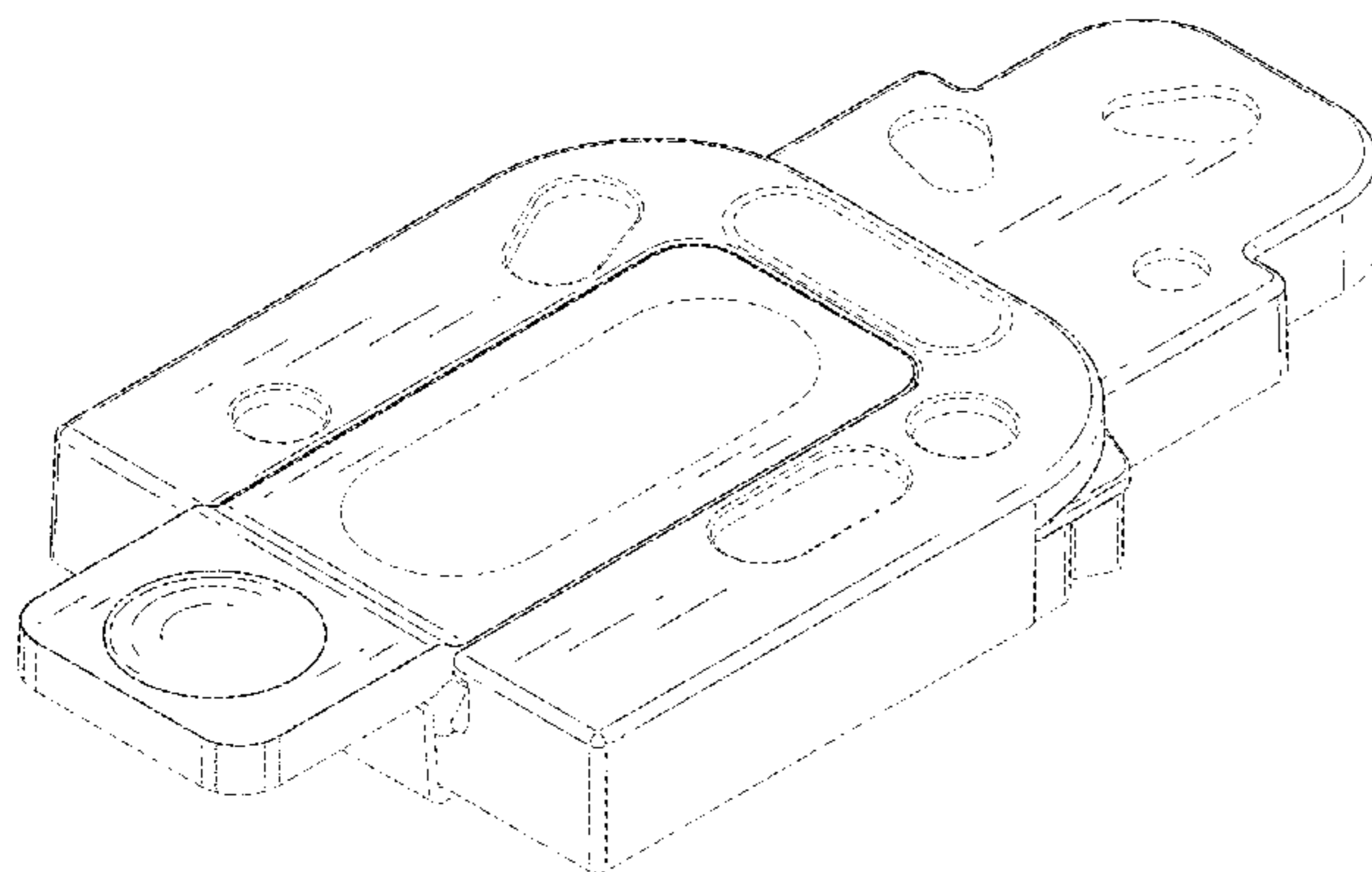
FIG. 14 is an enlarged rear elevational view of the design of FIG. 8;

FIG. 15 is a bottom plan view of an alternate embodiment of the design shown in FIG. 8; and,

FIG. 16 is an enlarged rear elevational view of the design of FIG. 15.

The top perspective, top plan, right, left, and front elevational views for the embodiment shown in FIG. 15 are identical to FIGS. 8-9, and 11-13. The broken lines shown in the drawings illustrate portions of the flow cell cartridge that form no part of the claimed design.

1 Claim, 14 Drawing Sheets



(58) **Field of Classification Search**

CPC G01N 2035/00306; G01N 2035/00326;
 G01N 2035/00336; G01N 2035/00029;
 G01N 2035/0401; G01N 2035/0403;
 G01N 2035/0405; G01N 2035/00019;
 G01N 35/021; G01N 35/026; G01N
 35/028; G01N 35/04; G01N 1/22; G01N
 27/44791; B01L 2300/0809; B01L
 2300/0816; B01L 2300/0822; B01L
 2300/0832; B01L 2300/0806

See application file for complete search history.

(56) **References Cited**

U.S. PATENT DOCUMENTS

D438,632 S * 3/2001 Miller D24/216
 D438,633 S * 3/2001 Miller D24/216
 D473,318 S * 4/2003 Barbera-Guillem D24/216
 D491,273 S * 6/2004 Biegler D24/216
 D559,995 S * 1/2008 Handique D24/232
 D566,291 S * 4/2008 Parunak D24/224
 D639,975 S 6/2011 Doyle et al.
 D685,494 S * 7/2013 Oonuma D24/216
 D686,311 S * 7/2013 Mori D24/108
 D697,198 S * 1/2014 Amirouche D24/108
 D729,403 S 5/2015 Hage et al.
 D745,698 S 12/2015 Hage et al.
 D750,272 S 2/2016 Hage et al.
 D752,770 S 3/2016 Kuhn et al.
 D768,870 S 10/2016 Kuhn et al.
 D784,551 S * 4/2017 Todd D24/224
 D785,811 S 5/2017 Watts et al.
 D794,817 S 8/2017 Yi et al.
 D794,818 S 8/2017 Yi et al.
 D794,819 S 8/2017 Yi et al.
 D799,056 S * 10/2017 Bourgeois D24/224
 D800,336 S 10/2017 Chang et al.
 D800,912 S 10/2017 Uzri et al.
 D806,890 S * 1/2018 Williams D24/216
 D812,242 S * 3/2018 Chang D24/224
 D812,767 S * 3/2018 Osmus D24/225
 D819,829 S 6/2018 Osmus et al.
 D825,078 S 8/2018 Osmus et al.
 D840,050 S 2/2019 Schulz et al.
 D843,009 S 3/2019 Watts et al.
 D851,275 S 6/2019 Spuhler et al.
 10,343,160 B2 7/2019 Lemoine et al.
 D856,527 S * 8/2019 Kaplan D24/225

D861,914 S 10/2019 Blake et al.
 D864,411 S 10/2019 Dangelo et al.
 D864,412 S 10/2019 Dangelo et al.
 D865,213 S 10/2019 Dangelo et al.
 D865,214 S 10/2019 Dangelo et al.
 D865,215 S 10/2019 Dangelo et al.
 D875,271 S 2/2020 Ringold et al.
 D877,356 S 3/2020 Clive-Smith et al.
 D886,901 S * 6/2020 Hussey D18/56
 2010/0143963 A1 * 6/2010 Pollack B01L 3/502792
 435/29
 2015/0118739 A1 * 4/2015 Kobayashi B01L 3/5027
 435/287.2
 2016/0175840 A1 * 6/2016 Ingber B01L 3/502715
 422/502
 2016/0375438 A1 * 12/2016 Marcy B01L 3/50273
 506/39
 2017/0016060 A1 1/2017 Sabounchi et al.
 2017/0209865 A1 7/2017 Carrano et al.
 2018/0117587 A1 5/2018 Lemoine et al.
 2018/0185849 A1 * 7/2018 Kaplan B01L 9/527
 2020/0110108 A1 4/2020 Cox-Muranami et al.
 2020/0171502 A1 6/2020 Kumar et al.
 2020/0217740 A1 * 7/2020 Holst G01M 3/047

OTHER PUBLICATIONS

Osmus et al., "Reagent Cartridge", U.S. Appl. No. 29/714,653, filed Nov. 25, 2019.
 Osmus et al., "Reagent Cartridge", U.S. Appl. No. 29/714,705, filed Nov. 25, 2019.
 Osmus et al., "Flow Cell Cartridge", U.S. Appl. No. 29/714,660, filed Nov. 25, 2019.
 Taylor et al., "Flow Cell Cartridge", U.S. Appl. No. 29/714,671, filed Nov. 25, 2019.
 Taylor et al., "Flow Cell", U.S. Appl. No. 29/714,672, filed Nov. 25, 2019.
 Osmus et al., "Sequencing Cartridge Assembly", U.S. Appl. No. 29/714,661, filed Nov. 25, 2019.
 Taylor et al., "Cartridge Cover", U.S. Appl. No. 29/714,669, filed Nov. 25, 2019.
 Osmus et al., "Reagent Cartridge", U.S. Appl. No. 29/714,656, filed Nov. 25, 2019.
 Osmus et al., "Reagent Cartridge", U.S. Appl. No. 29/714,706, filed Nov. 25, 2019.

* cited by examiner

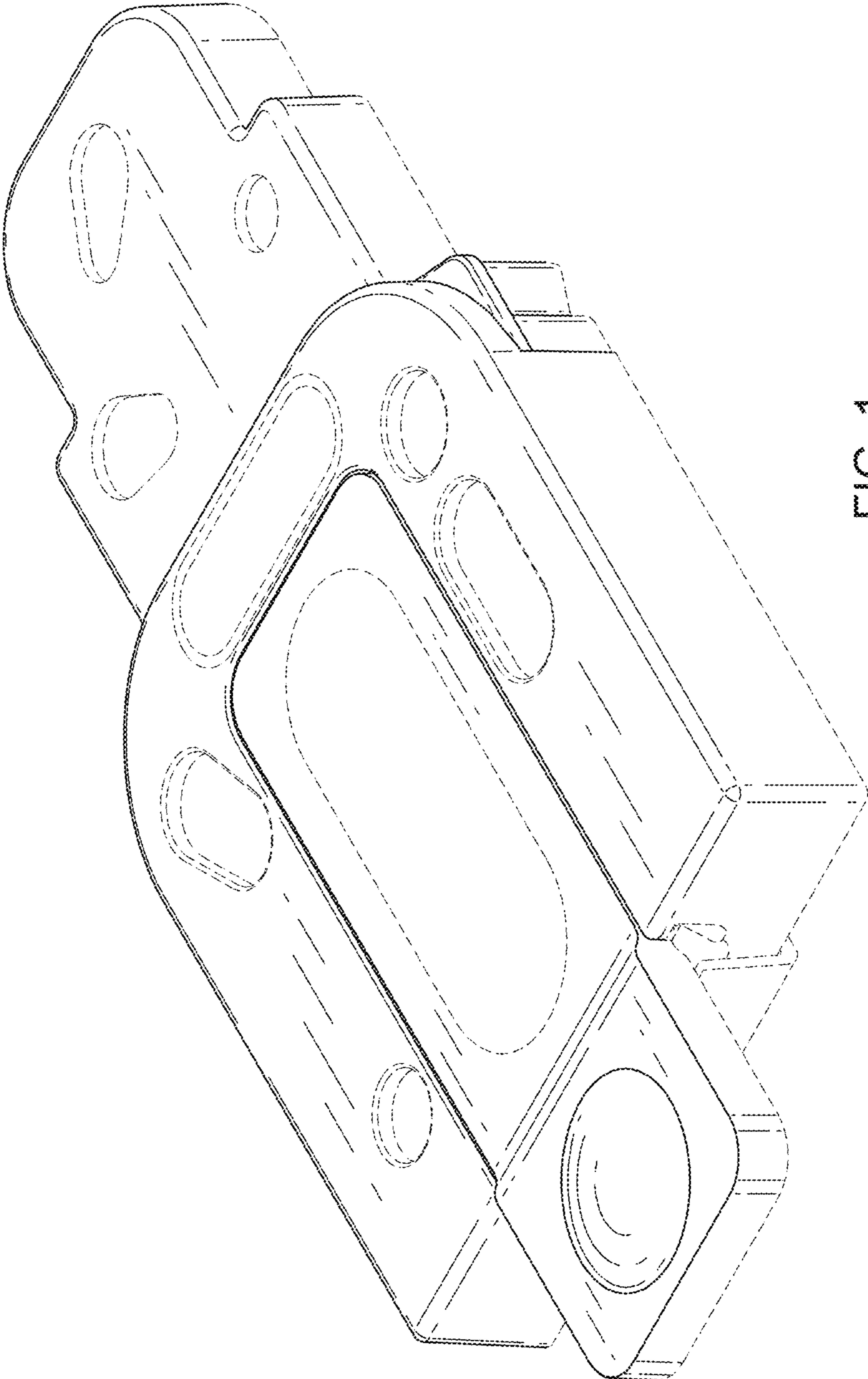


FIG. 1

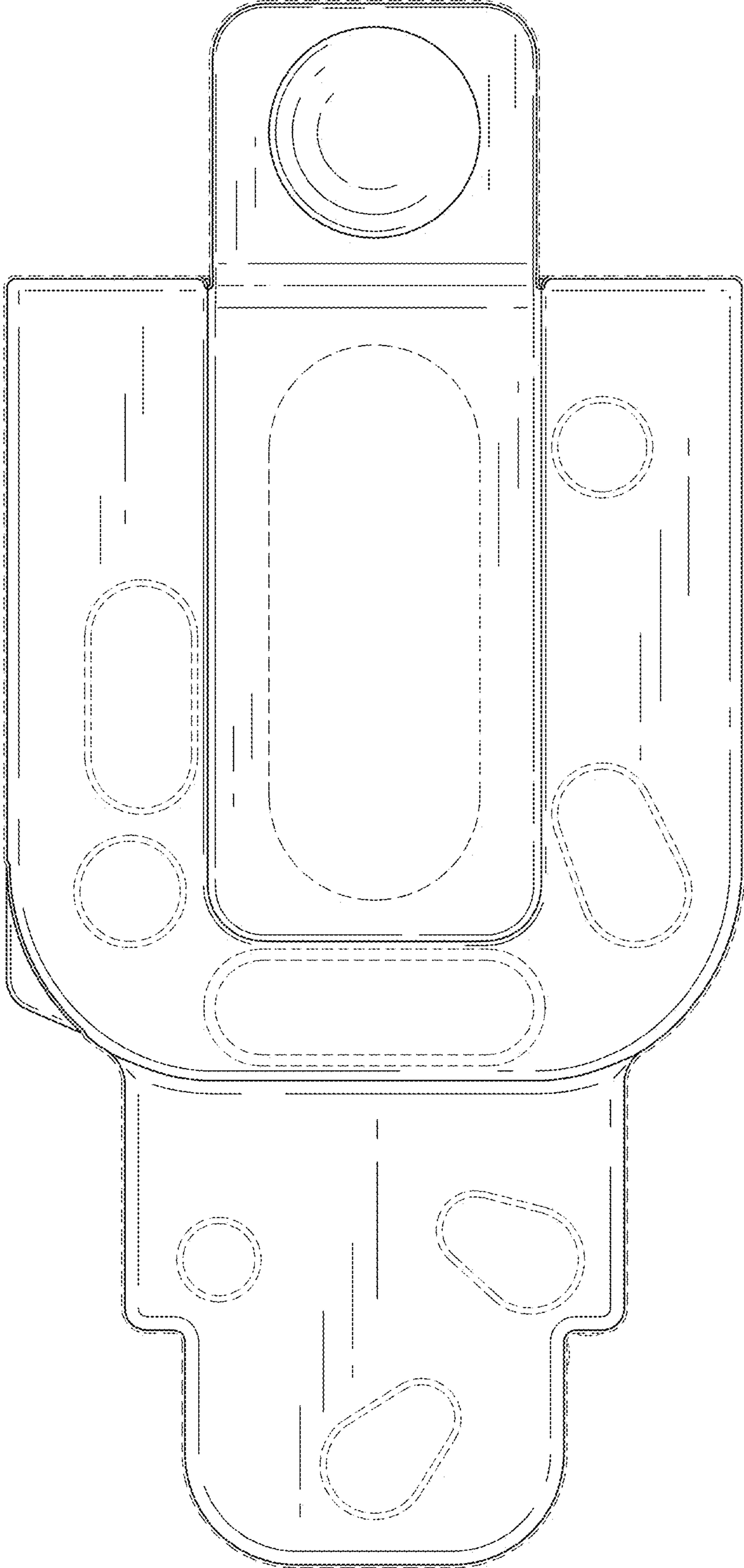


FIG. 2

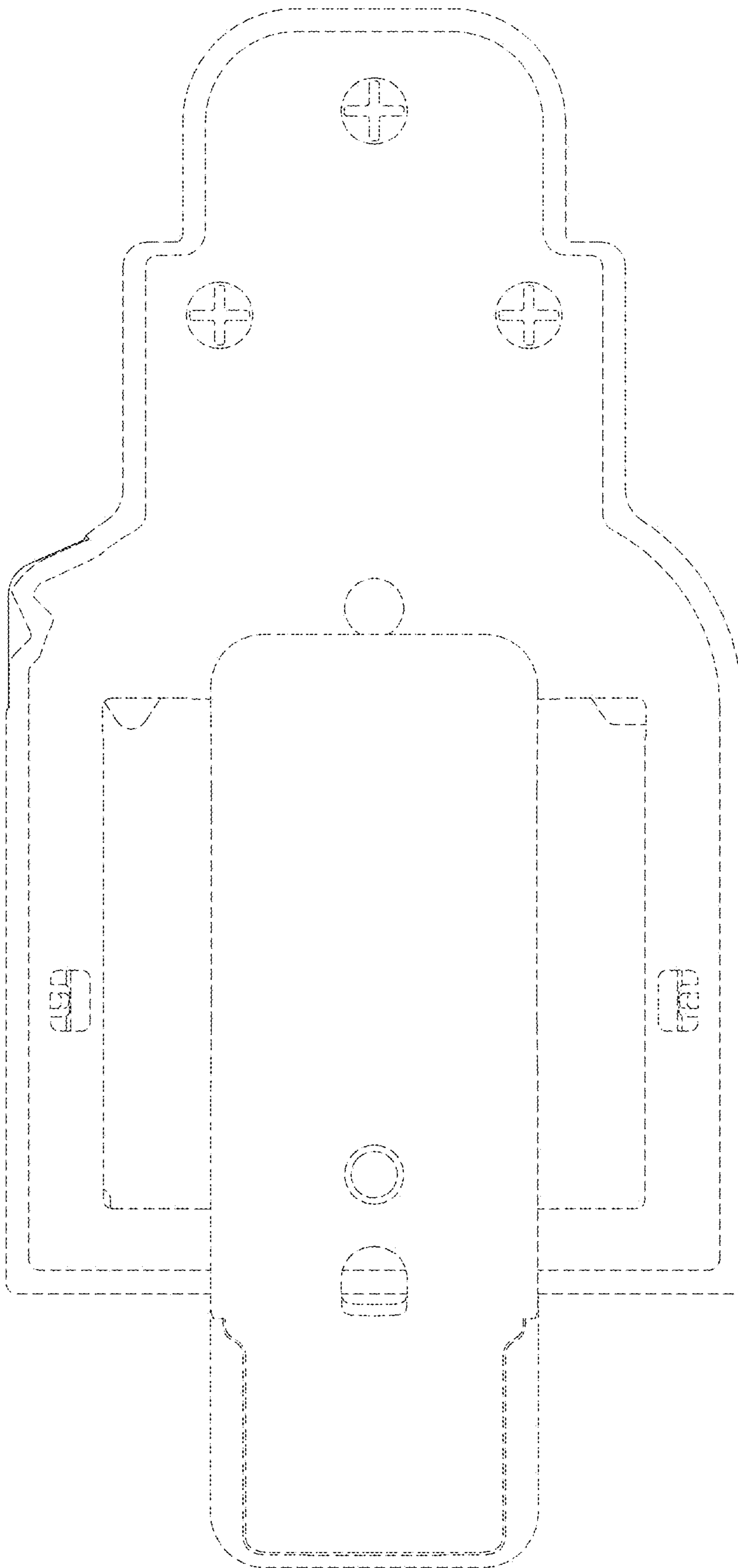


FIG. 3

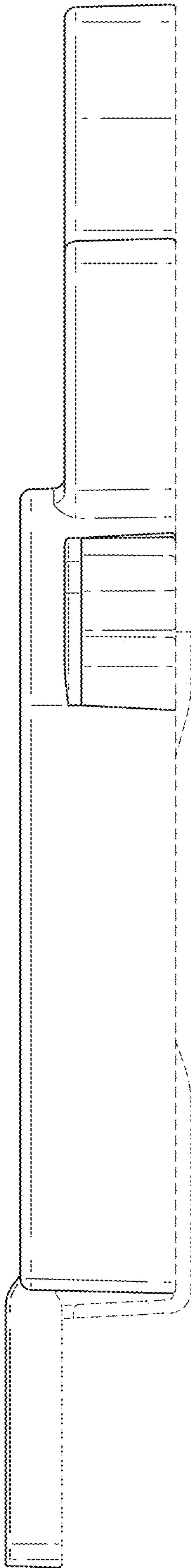


FIG. 4

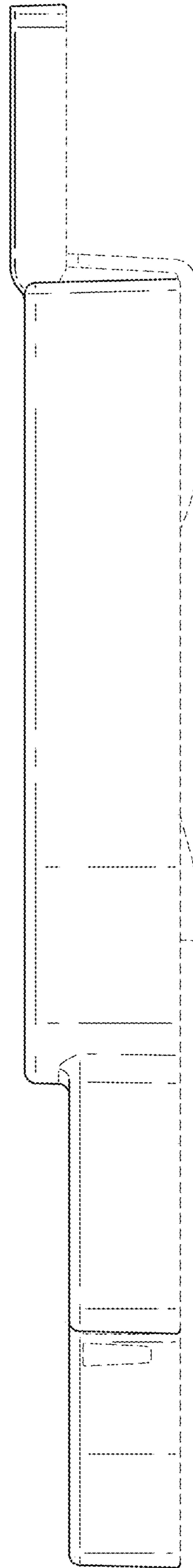


FIG. 5

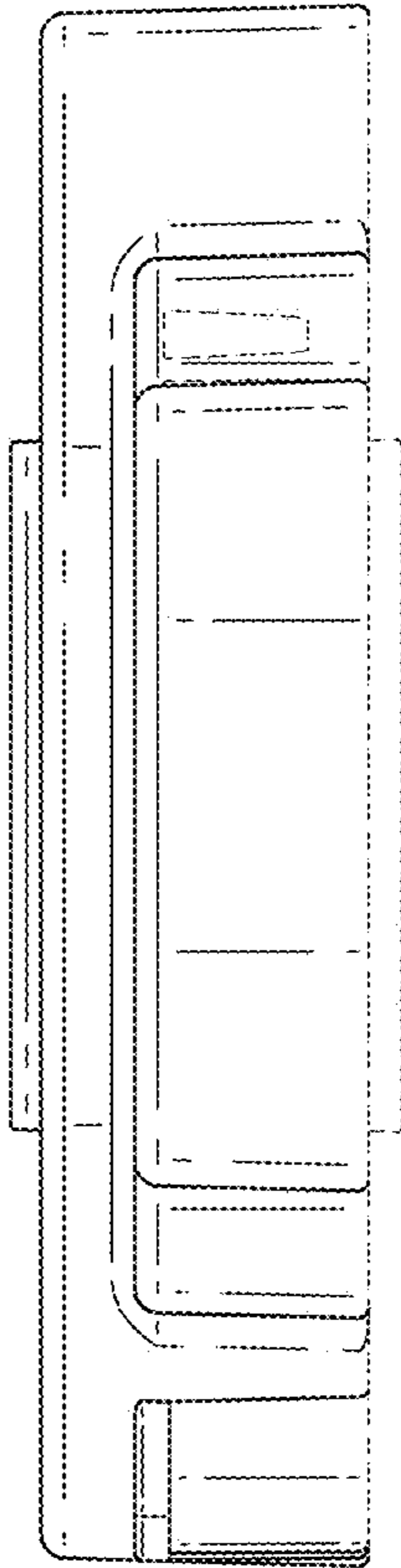


FIG. 6

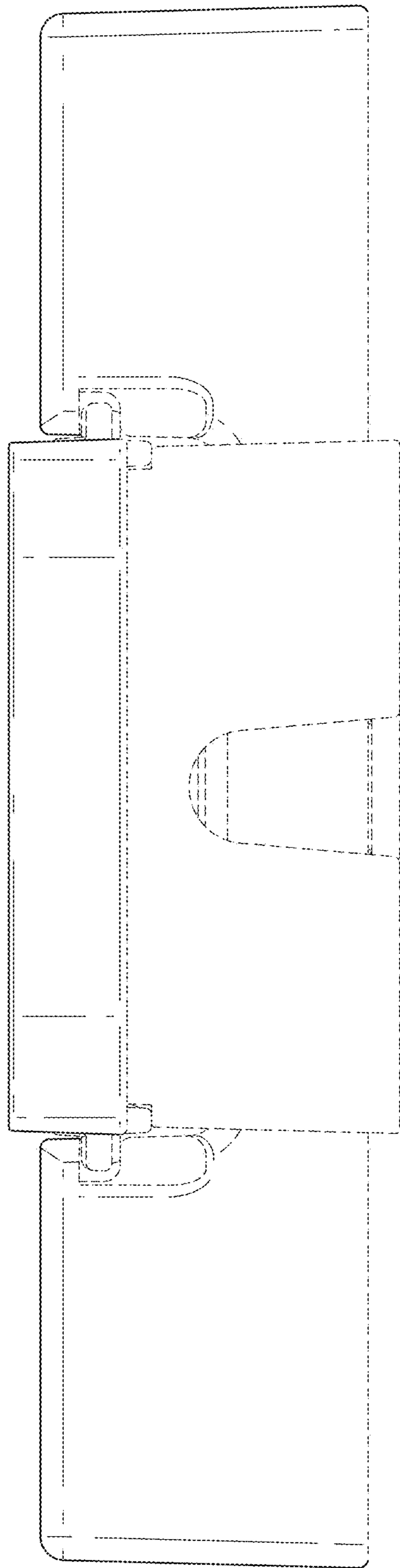


FIG. 7

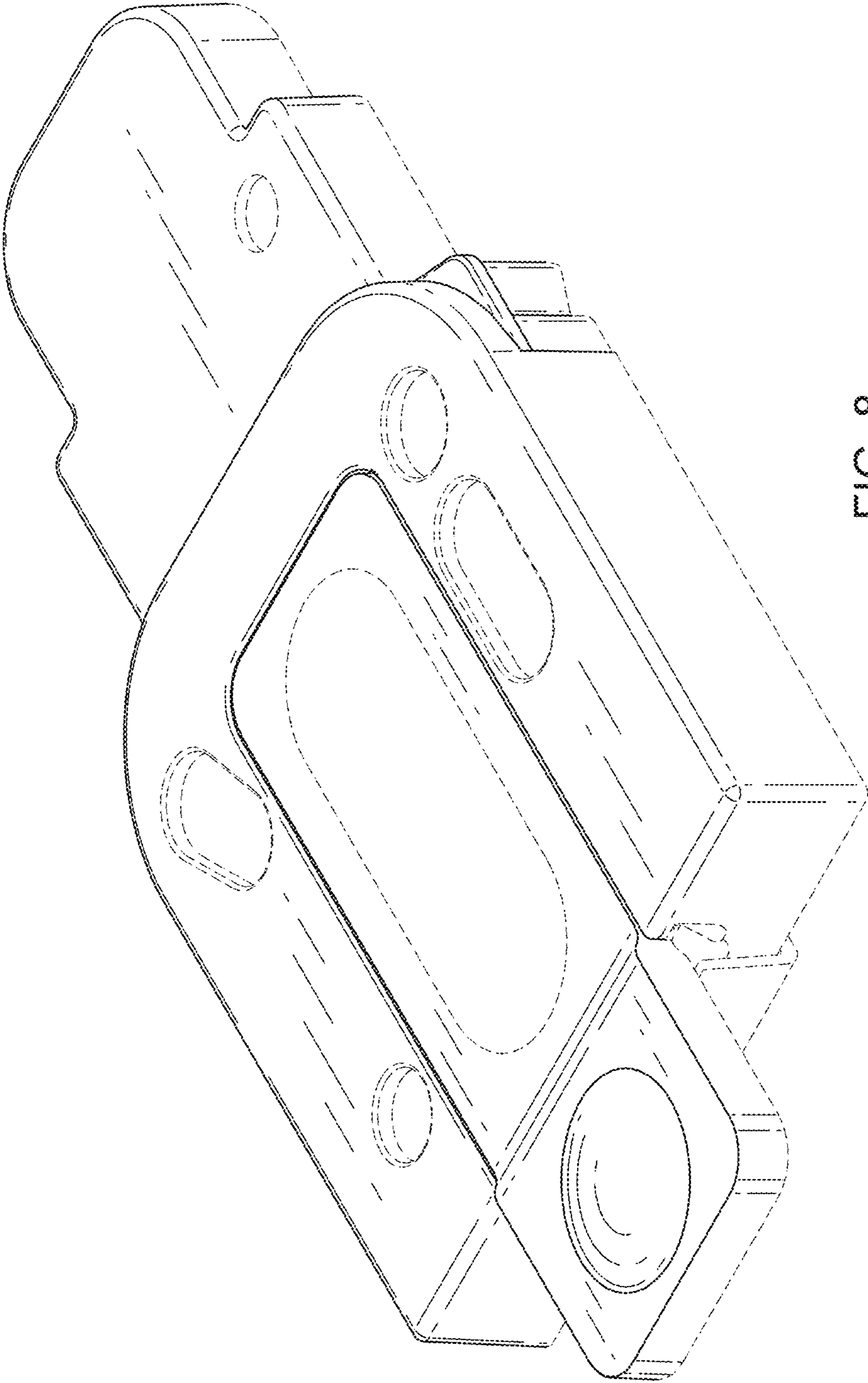


FIG. 8

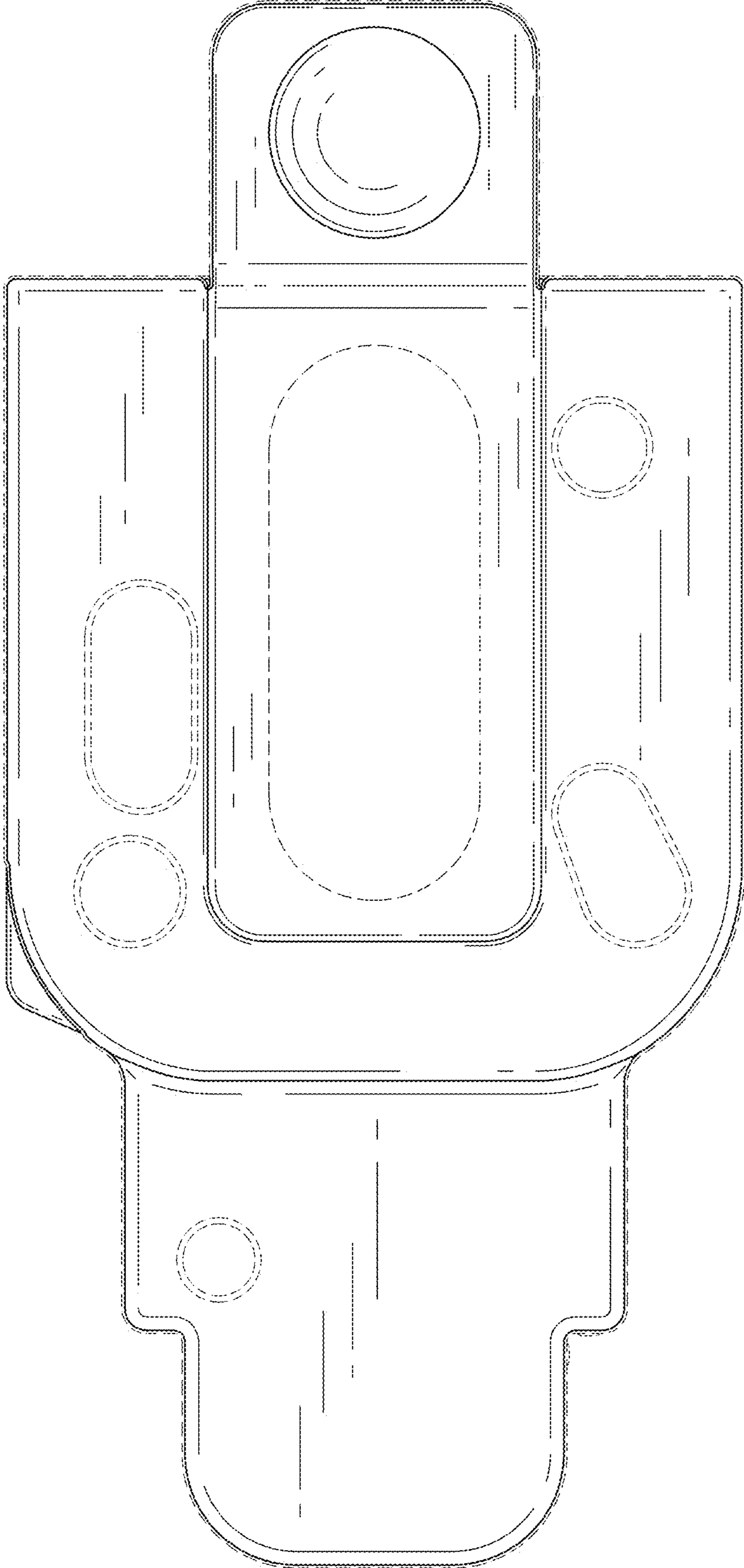


FIG. 9

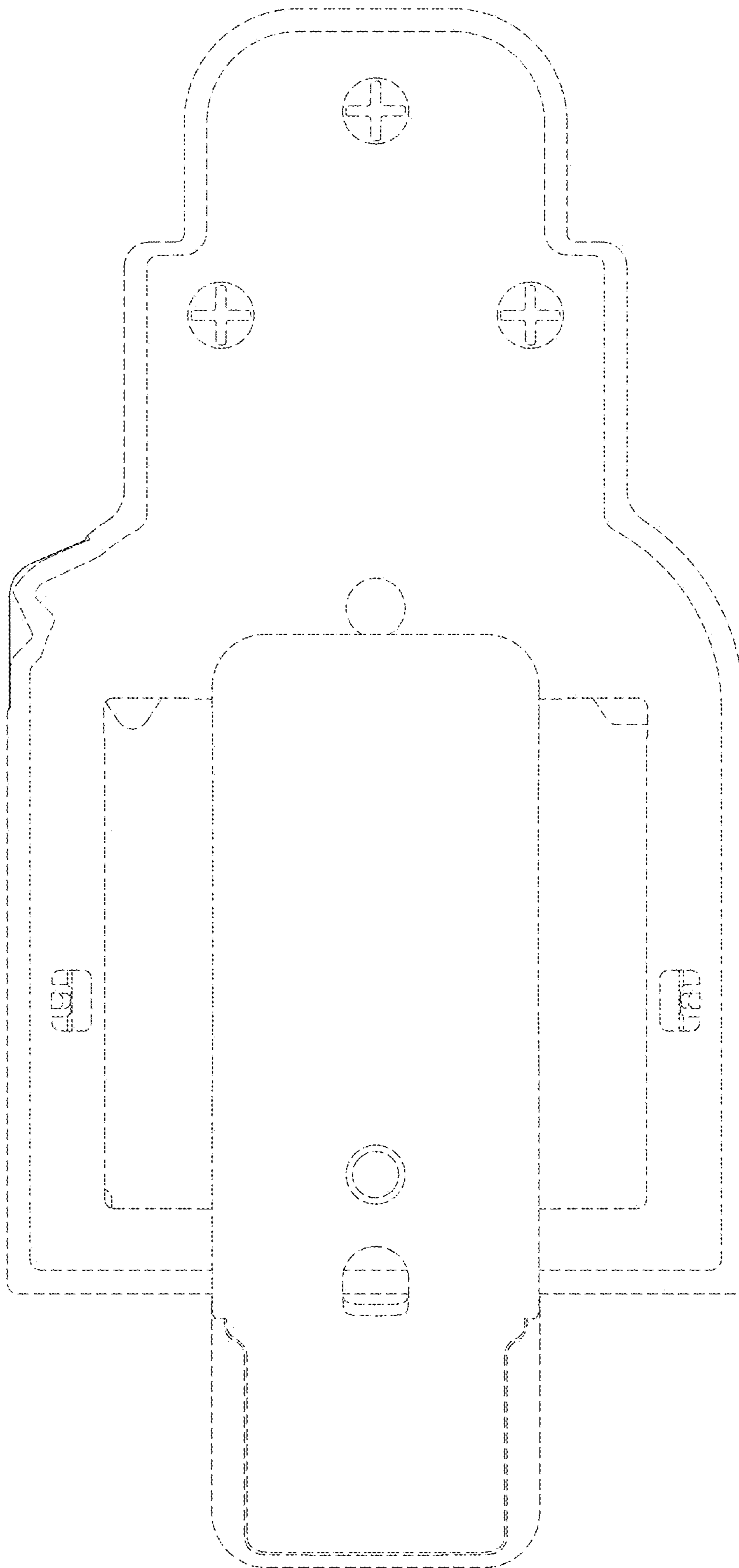


FIG. 10

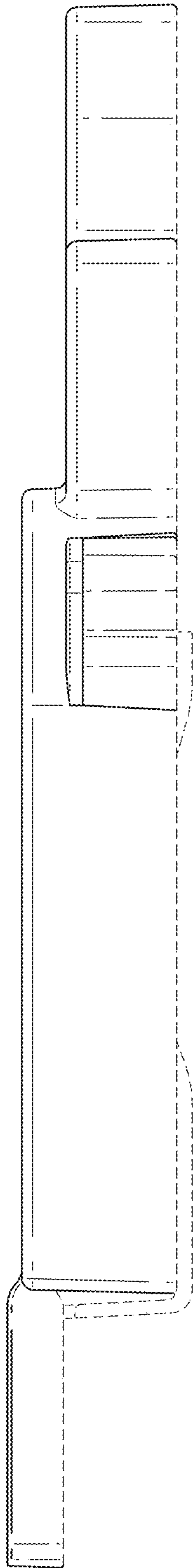


FIG. 11

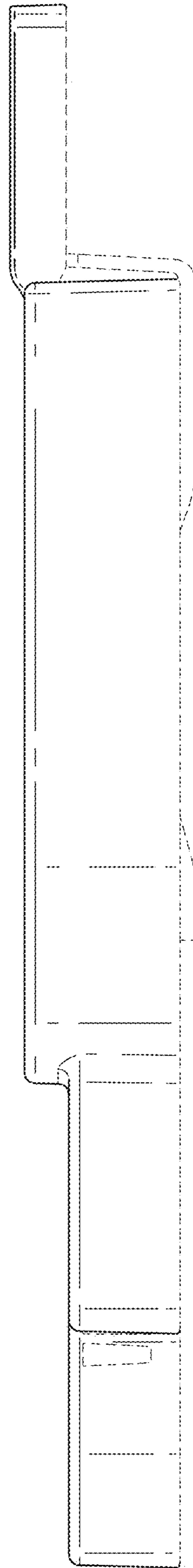


FIG. 12

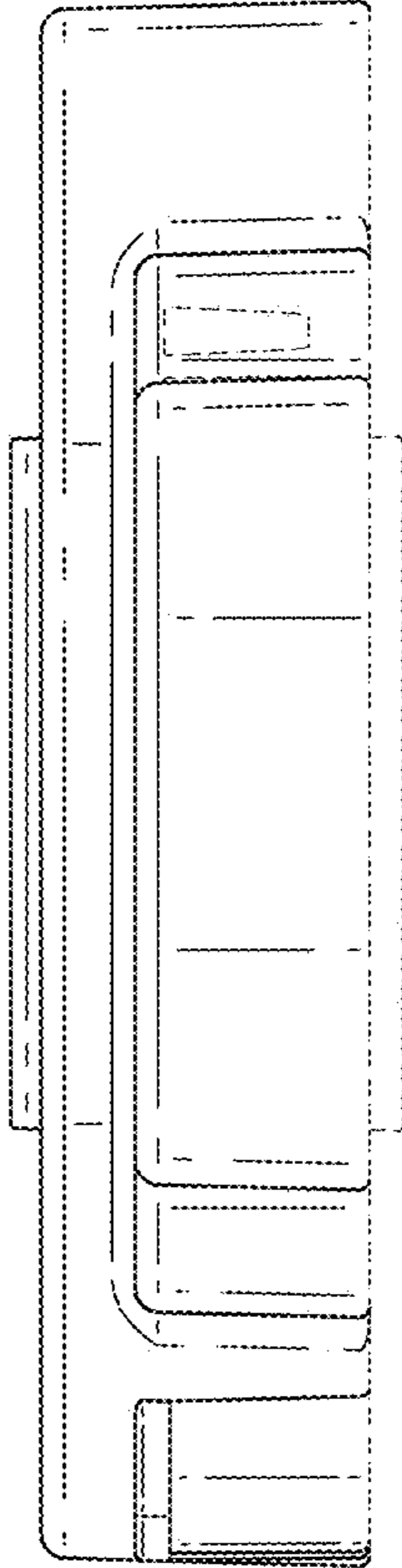


FIG. 13

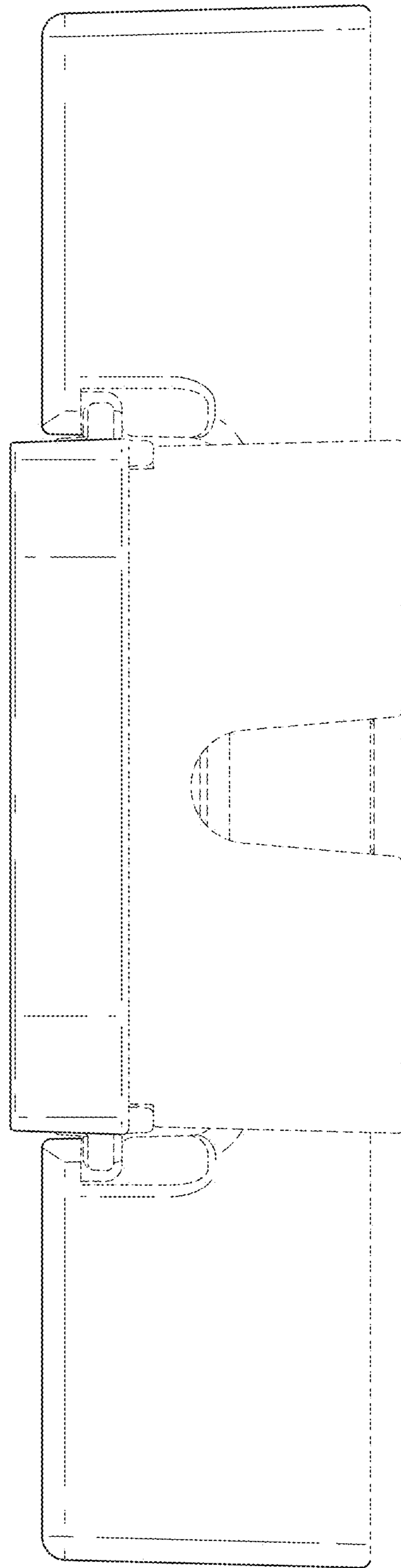


FIG. 14

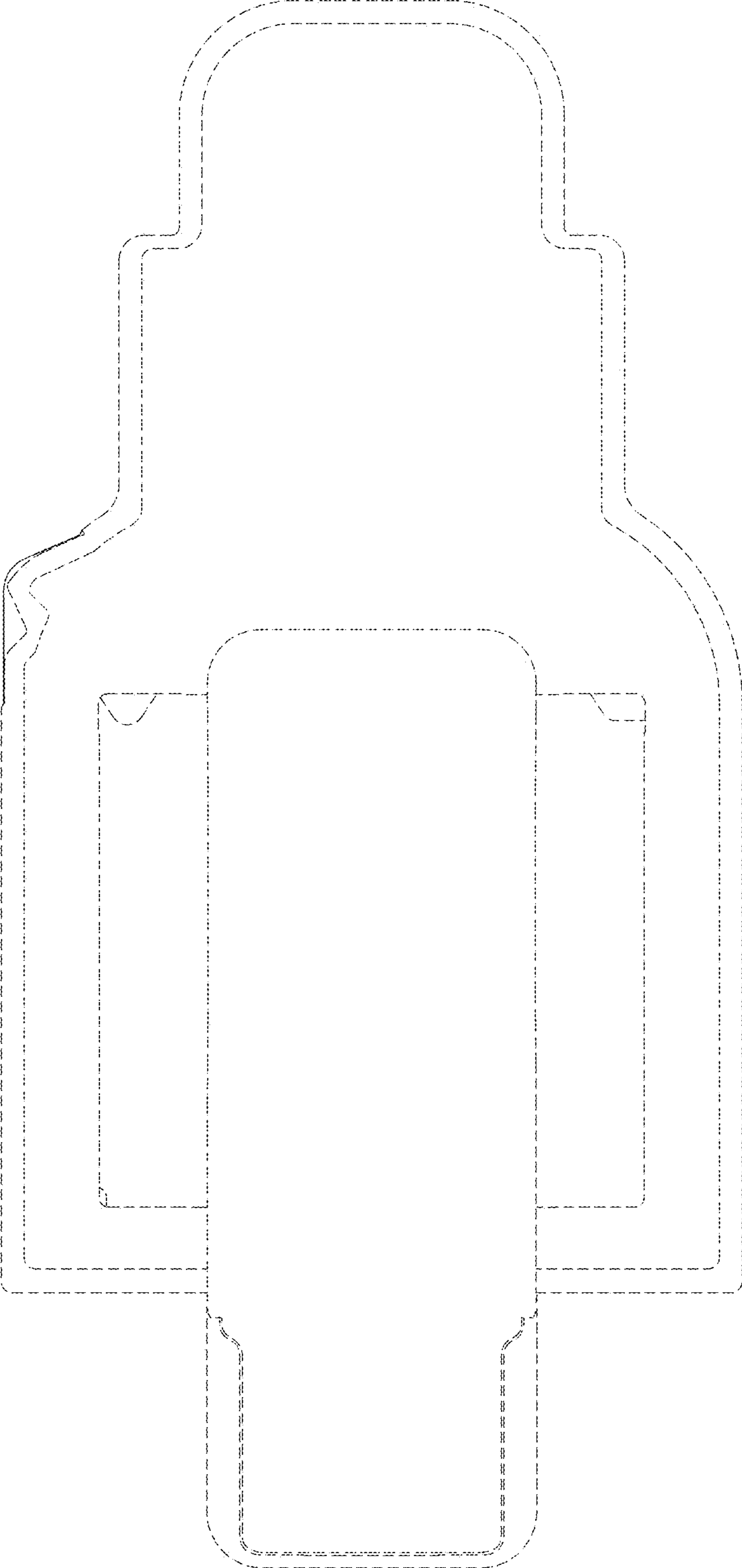


FIG. 15

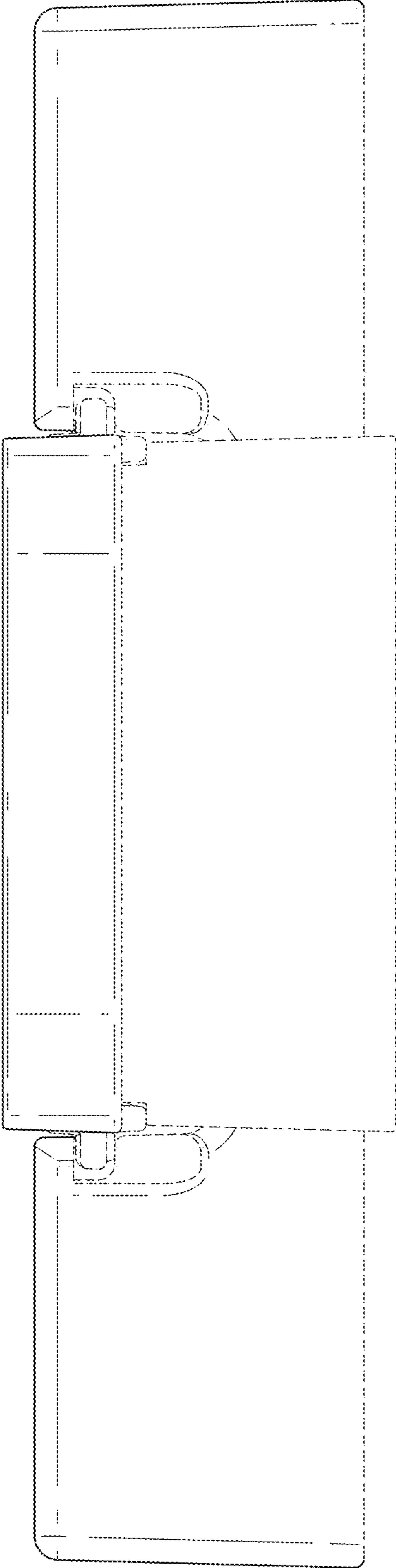


FIG. 16