



US00D953572S

(12) **United States Design Patent** (10) **Patent No.:** **US D953,572 S**
Hendrix et al. (45) **Date of Patent:** **** May 31, 2022**

(54) **MEDICAL DRAPE**
(71) Applicant: **Microtek Medical, Inc.**, Columbus, MS (US)
(72) Inventors: **Heidi Frances Hendrix**, Atlanta, GA (US); **David Richard Rawlings**, Cumming, GA (US); **Michelle Wilson**, Caledonia, MS (US)
(73) Assignee: **Microtek Medical, Inc.**, Columbus, MS (US)

5,429,801 A 7/1995 Faries, Jr. et al.
5,435,322 A 7/1995 Marshall
5,457,962 A 10/1995 Faries, Jr. et al.
5,502,980 A 4/1996 Faries, Jr. et al.
5,522,095 A 6/1996 Faries, Jr. et al.
5,524,643 A 6/1996 Faries, Jr. et al.

(Continued)

FOREIGN PATENT DOCUMENTS

AU 2016200812 B2 11/2016
CA 2620906 A1 3/2006

(Continued)

(**) Term: **15 Years**
(21) Appl. No.: **29/711,150**
(22) Filed: **Oct. 29, 2019**

OTHER PUBLICATIONS

International Patent Application No. PCT/US2017/024183, International Search Report and Written Opinion dated Jul. 17, 2017, 11 pages.

(Continued)

Related U.S. Application Data

(62) Division of application No. 29/619,202, filed on Sep. 27, 2017, now Pat. No. Des. 869,683.
(51) **LOC (13) Cl.** **24-01**
(52) **U.S. Cl.**
USPC **D24/231**
(58) **Field of Classification Search**
USPC D24/120, 121, 123, 183, 184, 189, 231;
D7/545; D23/276, 295, 284, 244
CPC ... A61B 46/01; A61B 46/40; A61B 2046/205;
A61F 7/0241; A61F 7/0085
See application file for complete search history.

Primary Examiner — Anhdao Doan

(74) *Attorney, Agent, or Firm* — Fredrikson & Byron, P.A.

(57) **CLAIM**

We claim the ornamental design for a medical drape, as shown and described.

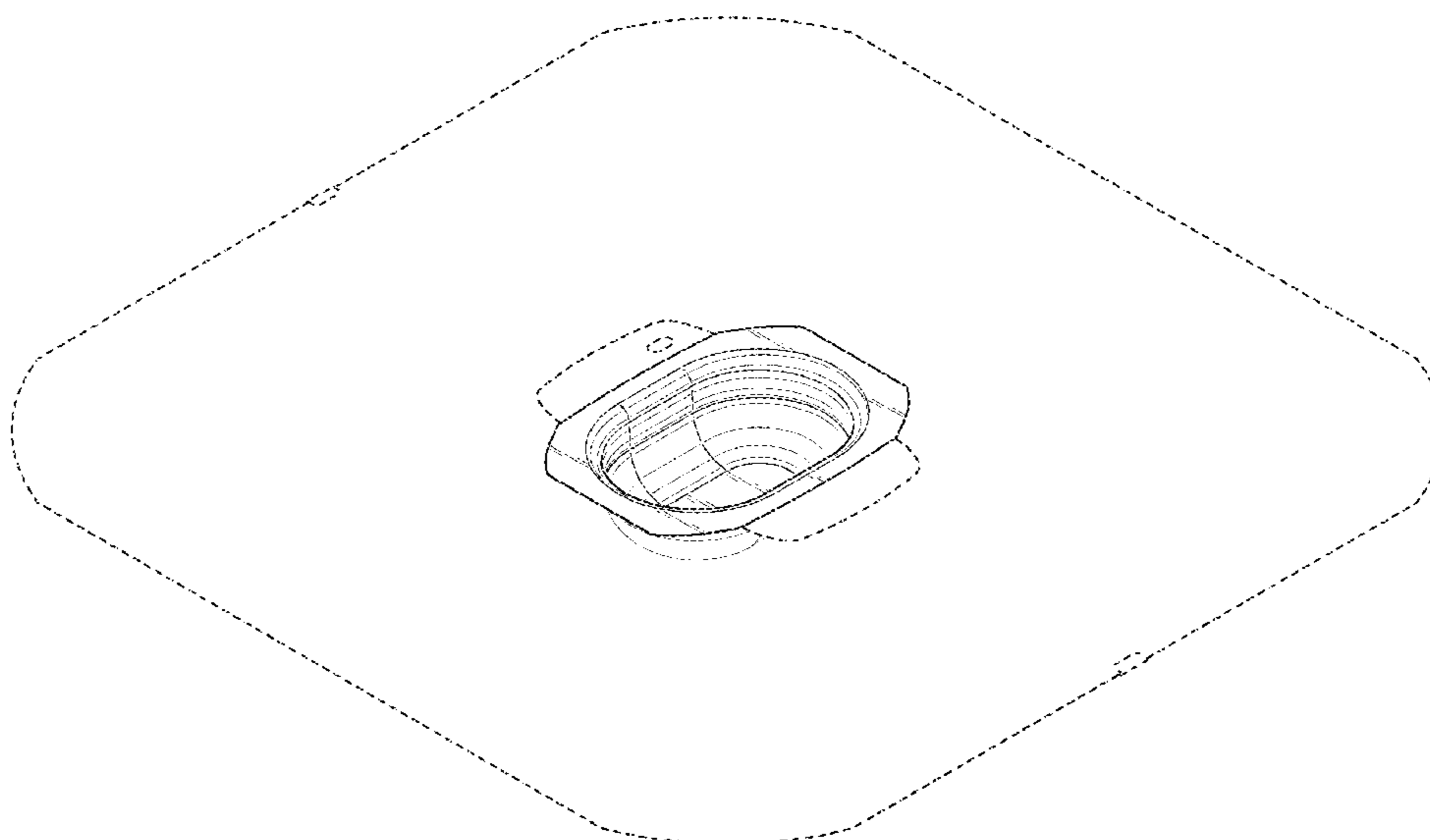
DESCRIPTION

FIG. 1 is a perspective view of our new design for a medical drape;
FIG. 2 is a front view thereof;
FIG. 3 is a rear view thereof;
FIG. 4 is a left side view thereof;
FIG. 5 is a right side view thereof;
FIG. 6 is a top view thereof; and,
FIG. 7 is a bottom view thereof.
The broken lines shown on FIGS. 1-7 illustrate portions of the medical drape that form no part of the claimed design.

(56) **References Cited**
U.S. PATENT DOCUMENTS

3,777,749 A 12/1973 Collins
4,934,152 A 6/1990 Templeton
5,163,299 A 11/1992 Faries, Jr. et al.
5,331,820 A 7/1994 Faries, Jr. et al.
5,333,326 A 8/1994 Faries, Jr. et al.
5,400,616 A 3/1995 Faries, Jr. et al.
5,402,644 A 4/1995 Faries, Jr. et al.

1 Claim, 5 Drawing Sheets



(56)

References Cited

U.S. PATENT DOCUMENTS

5,551,240 A 9/1996 Faries, Jr. et al.
 5,615,423 A 4/1997 Faries, Jr. et al.
 5,653,938 A 8/1997 Faries, Jr. et al.
 5,682,264 A 10/1997 Cleveland et al.
 5,809,788 A 9/1998 Faries, Jr. et al.
 5,816,252 A 10/1998 Faries, Jr. et al.
 5,857,467 A 1/1999 Faries, Jr. et al.
 D405,875 S 2/1999 Slothower et al.
 5,879,621 A 3/1999 Faries, Jr. et al.
 5,950,438 A 9/1999 Faries, Jr. et al.
 6,003,328 A 12/1999 Faries, Jr. et al.
 D421,124 S 2/2000 Yavitz
 6,035,855 A 3/2000 Faries, Jr. et al.
 6,087,636 A 7/2000 Faries, Jr. et al.
 6,091,058 A 7/2000 Faries, Jr. et al.
 D431,286 S 9/2000 Kohler et al.
 D433,741 S 11/2000 Singer
 6,255,627 B1 7/2001 Faries et al.
 6,371,121 B1 4/2002 Faries et al.
 6,615,836 B1 9/2003 Griesbach et al.
 D483,491 S 12/2003 Grady et al.
 6,810,881 B2 11/2004 Faries et al.
 6,860,271 B2 3/2005 Faries, Jr. et al.
 6,910,485 B2 6/2005 Faries, Jr. et al.
 6,918,395 B2 7/2005 Faries, Jr. et al.
 7,128,275 B2 10/2006 Kammer et al.
 7,176,030 B2 2/2007 Faries, Jr. et al.
 D546,943 S 7/2007 Kammer et al.
 D546,944 S 7/2007 Kammer et al.
 D547,179 S 7/2007 Bouveret et al.
 D547,444 S 7/2007 Kammer et al.
 7,347,210 B2 3/2008 Faries, Jr. et al.
 7,350,373 B1 4/2008 Faries, Jr. et al.
 D568,989 S 5/2008 Kammer et al.
 D569,970 S 5/2008 Kammer et al.
 7,398,738 B2 7/2008 Newhouse et al.
 7,418,966 B2 9/2008 Faries, Jr. et al.
 7,441,714 B2 10/2008 Kammer et al.
 7,459,657 B2 12/2008 Kammer et al.
 7,560,667 B2 7/2009 Kammer et al.
 7,671,302 B1 3/2010 Faries, Jr. et al.
 7,728,262 B1 6/2010 Faries, Jr. et al.
 7,854,387 B2 12/2010 Kammer et al.
 D632,135 S * 2/2011 Green-Cotton D7/545
 7,903,957 B2 3/2011 Kammer et al.
 7,959,860 B2 6/2011 Faries, Jr. et al.
 D645,738 S 9/2011 Shiffer et al.
 D647,199 S 10/2011 Kroiss

D654,174 S 2/2012 Matthews et al.
 8,138,454 B2 3/2012 Kammer et al.
 8,148,667 B2 4/2012 Faries, Jr. et al.
 D679,548 S 4/2013 Chen
 D698,426 S 1/2014 Delaney
 D724,706 S 3/2015 Meneghello et al.
 D726,291 S 4/2015 Spangler
 D731,304 S 6/2015 Bischoff et al.
 D738,720 S 9/2015 Yang et al.
 D756,769 S 5/2016 Tuchrelo et al.
 9,367,061 B2 6/2016 Miller et al.
 D764,871 S * 8/2016 Touchet D7/545
 D773,686 S 12/2016 Moore
 D779,643 S 2/2017 Stauffer et al.
 D789,786 S 6/2017 Michalas et al.
 D798,460 S * 9/2017 Farley D24/189
 D811,215 S 2/2018 Wu
 D814,293 S 4/2018 Tyberghein
 D821,604 S 6/2018 Tremblay et al.
 D824,248 S 7/2018 Tuchrelo et al.
 D835,272 S 12/2018 Heni et al.
 D835,465 S 12/2018 Son et al.
 D854,186 S 7/2019 Thompson et al.
 D869,683 S * 12/2019 Hendrix D24/231
 D873,994 S * 1/2020 Hendrix D24/121
 2008/0017292 A1 1/2008 Gammons et al.
 2008/0152937 A1 6/2008 Kammer et al.
 2009/0112057 A1 4/2009 Kammer et al.
 2009/0113618 A1 5/2009 Slayton
 2009/0255540 A1 10/2009 Faries, Jr.
 2013/0152946 A1 6/2013 Sosnowski
 2014/0208986 A1 7/2014 DesRoches et al.
 2017/0274136 A1 9/2017 Hendrix et al.
 2019/0090972 A1 3/2019 Hendrix et al.

FOREIGN PATENT DOCUMENTS

CA 2620907 A1 3/2006
 CN 201384756 Y 1/2010
 CN 202885227 U 4/2013
 EP 401591 A2 12/1990
 JP 2004333048 A 11/2004
 RU 2219950 C2 12/2003

OTHER PUBLICATIONS

International Patent Application No. PCT/US2017/024185, International Search Report and Written Opinion dated Jul. 17, 2017, 12 pages.

* cited by examiner

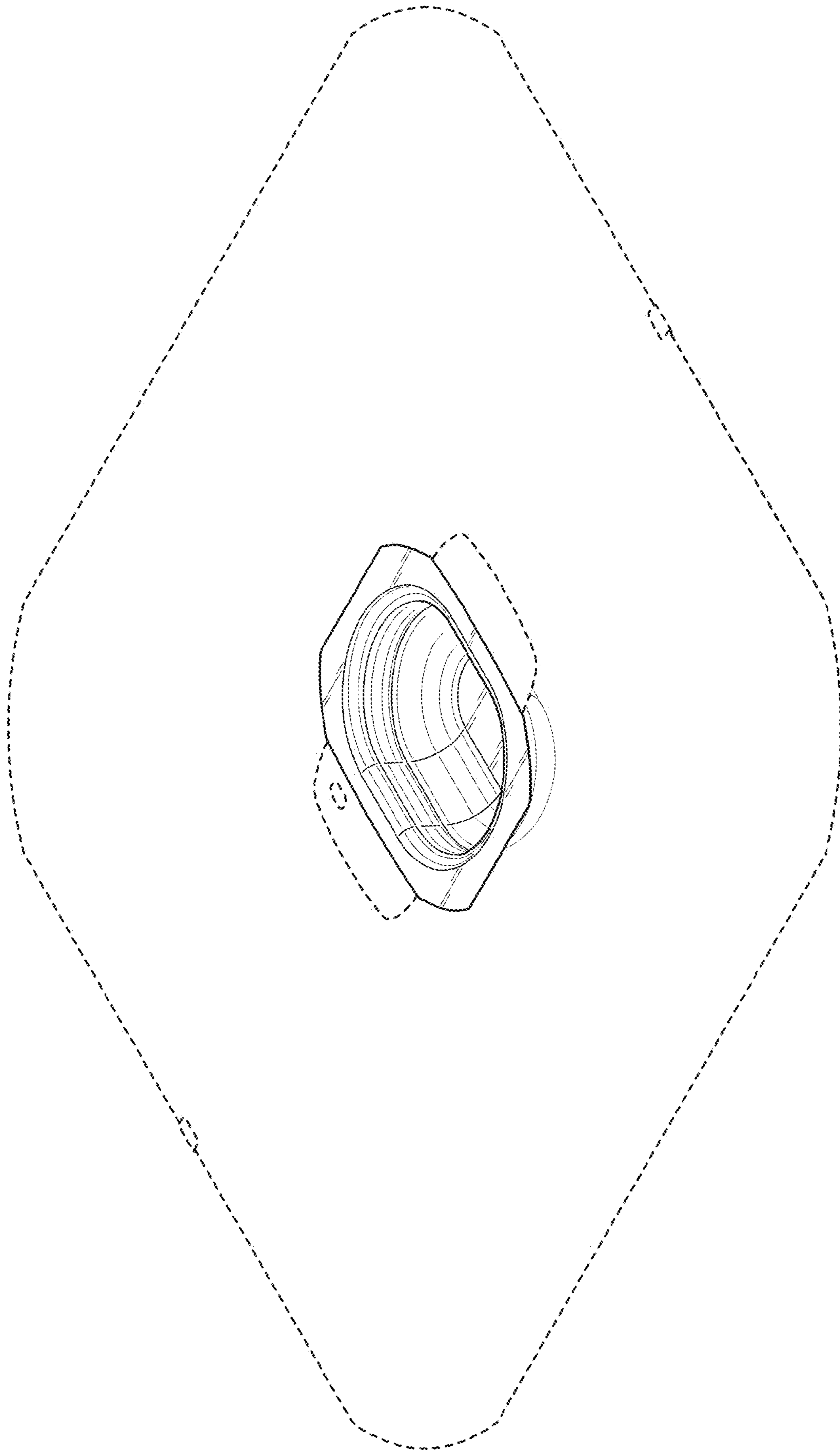


FIG. 1

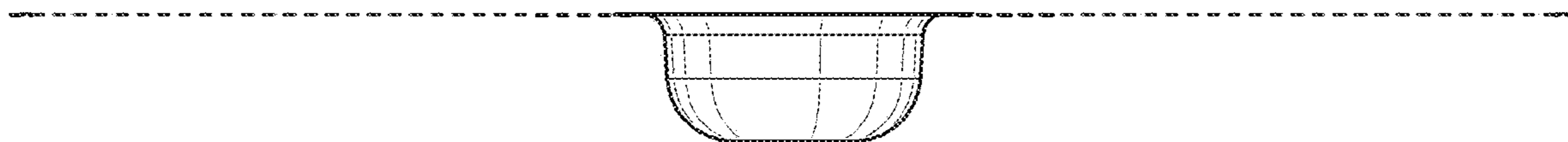


FIG. 2

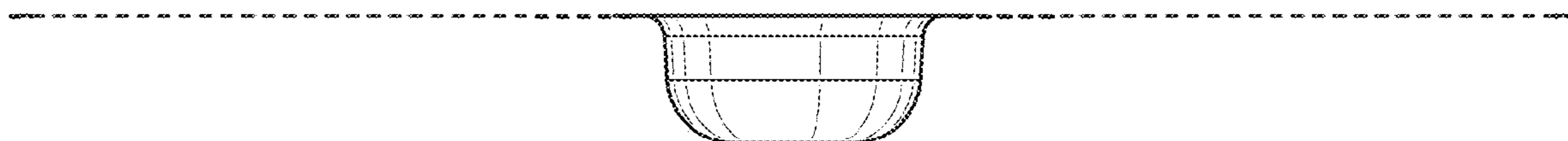


FIG. 3

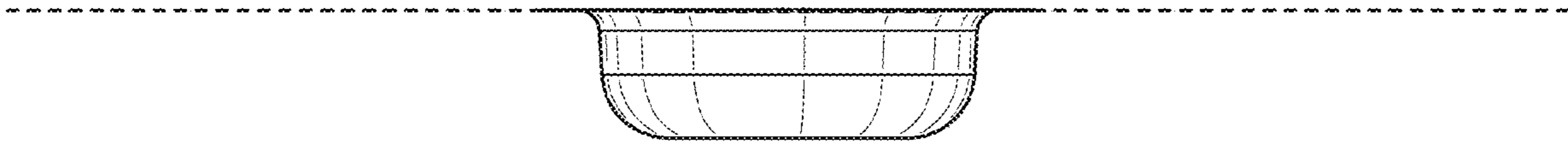


FIG. 4

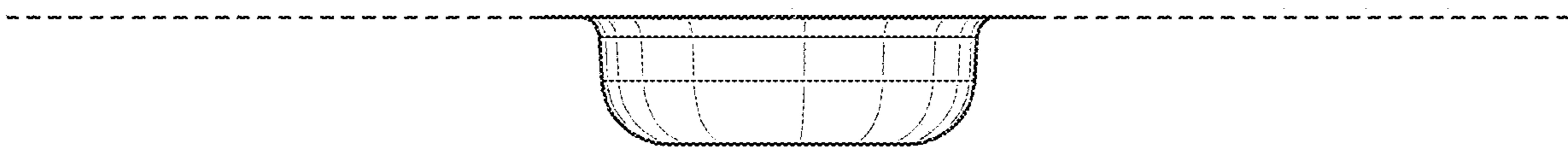


FIG. 5

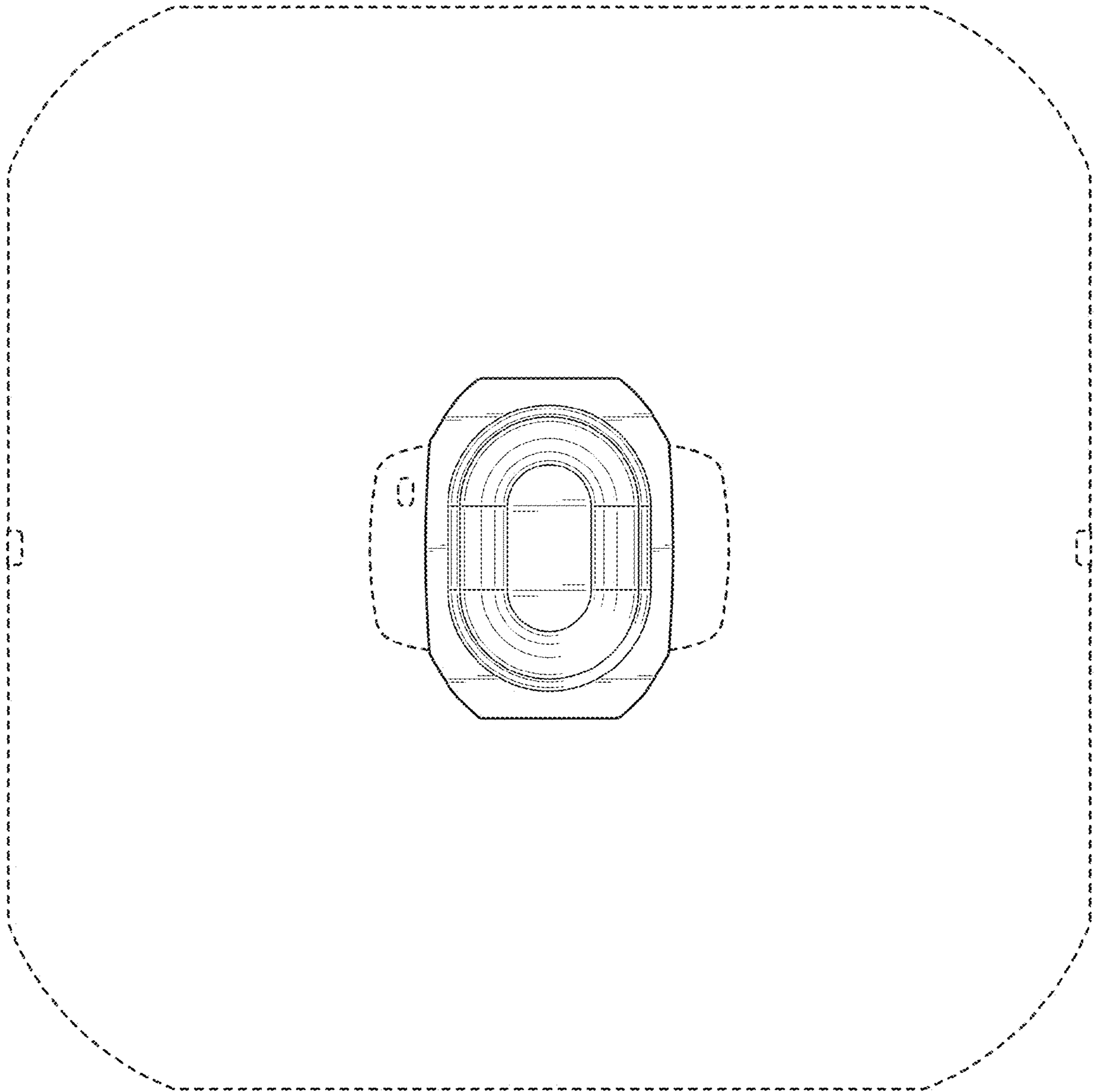


FIG. 6

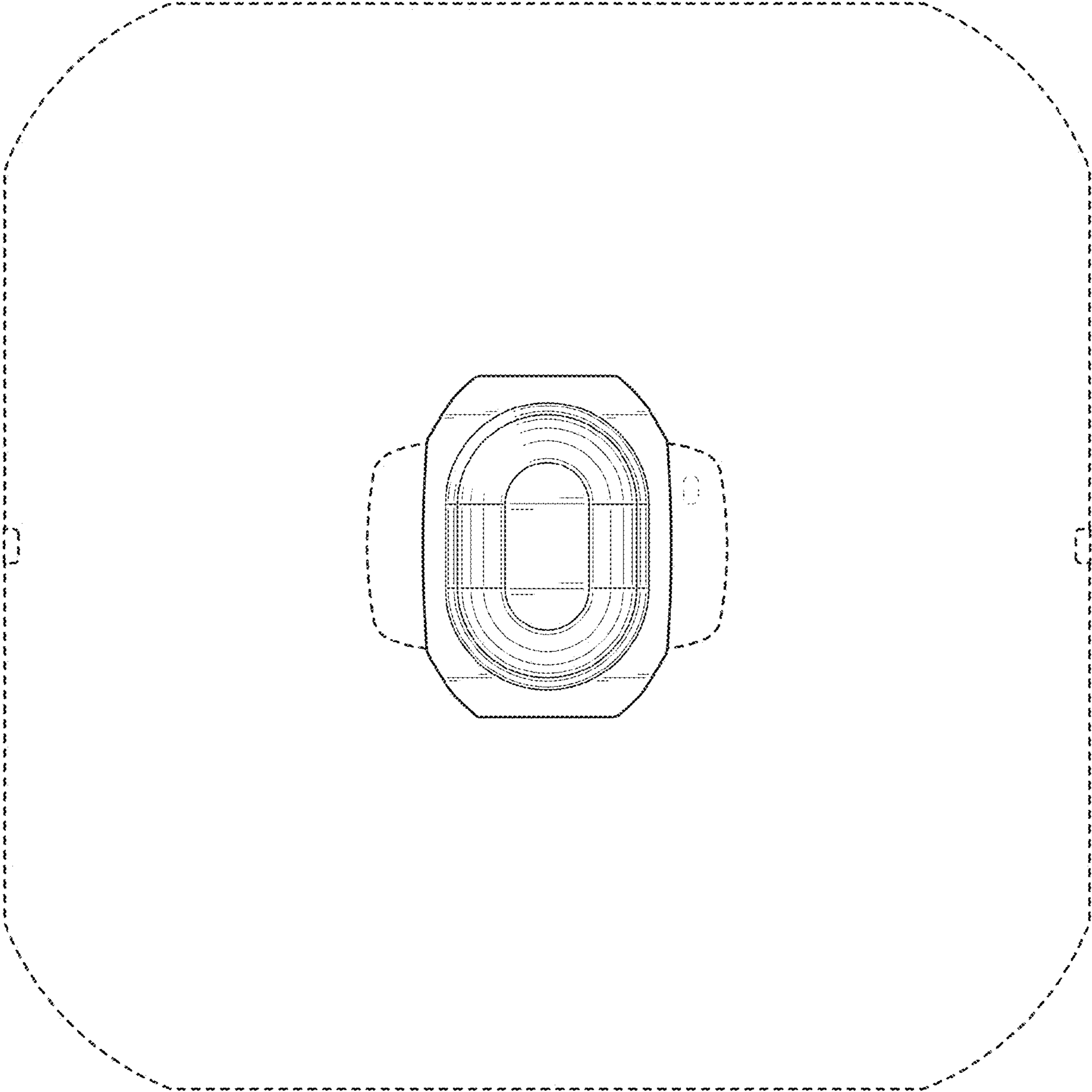


FIG. 7