



US00D953571S

(12) **United States Design Patent** (10) **Patent No.:** **US D953,571 S**
Becker (45) **Date of Patent:** **** May 31, 2022**

(54) **TRAY INSERT FOR A MEDICAL IMPLANT AND/OR INSTRUMENT CASE**

(71) Applicant: **DePuy Synthes Products, Inc.**,
Raynham, MA (US)

(72) Inventor: **Stephan Becker**, Lörrach (DE)

(73) Assignee: **DePuy Synthes Products, Inc.**,
Raynham, MA (US)

(**) Term: **15 Years**

(21) Appl. No.: **29/735,897**

(22) Filed: **May 26, 2020**

(51) **LOC (13) Cl.** **24-02**

(52) **U.S. Cl.**
USPC **D24/227**

(58) **Field of Classification Search**
USPC ... D24/108, 110, 110.4, 162, 216, 222, 223,
D24/224, 227-230; D3/201, 304, 306,
D3/307; D7/409, 637; D19/11;
D15/1-6

CPC . B65D 7/08; B65D 7/14; B65D 25/22; B65D
7/16; B65D 7/20; B01L 9/06; B01L 7/52;
G01N 25/486; B01J 8/008; B01J 8/02

See application file for complete search history.

(56) **References Cited**

U.S. PATENT DOCUMENTS

D224,955	S *	10/1972	Tipton	D6/716.1
4,796,778	A	1/1989	Habig et al.		
5,441,707	A	8/1995	Lewis et al.		
6,012,577	A	1/2000	Lewis et al.		
6,099,812	A	8/2000	Allen et al.		
6,350,418	B1	2/2002	Venderpool et al.		
6,382,575	B1	5/2002	Frush et al.		
6,585,942	B1	7/2003	Bussell et al.		

6,592,000	B1	7/2003	Owens et al.		
6,634,499	B2	10/2003	Allen et al.		
D513,874	S *	1/2006	Hardy	D3/306
7,036,678	B2	5/2006	Eiskant et al.		
D624,787	S *	10/2010	Adams	D7/409
D658,881	S *	5/2012	Post	D3/306
D712,566	S *	9/2014	Hicks	D24/227
D759,976	S *	6/2016	Hardy	D3/306
D847,510	S *	5/2019	Post	D3/306
D865,365	S *	11/2019	Hardy	D3/306
D880,861	S *	4/2020	Hardy	D3/306
D895,290	S *	9/2020	Dittrich	D3/306
D895,291	S *	9/2020	Hardy	D3/306
D925,764	S *	7/2021	Becker	D24/217
D929,129	S *	8/2021	Greenwood	D3/307

(Continued)

OTHER PUBLICATIONS

Perforated Instrument Tray. Online, published date unknown. Retrieved on Sep. 14, 2021 from URL: <http://www.fineartsmed.com/portfolio-items/instrument-trays-full-perforated-din-standard-and-others/>.*

(Continued)

Primary Examiner — Omeed Agilee

(57) **CLAIM**

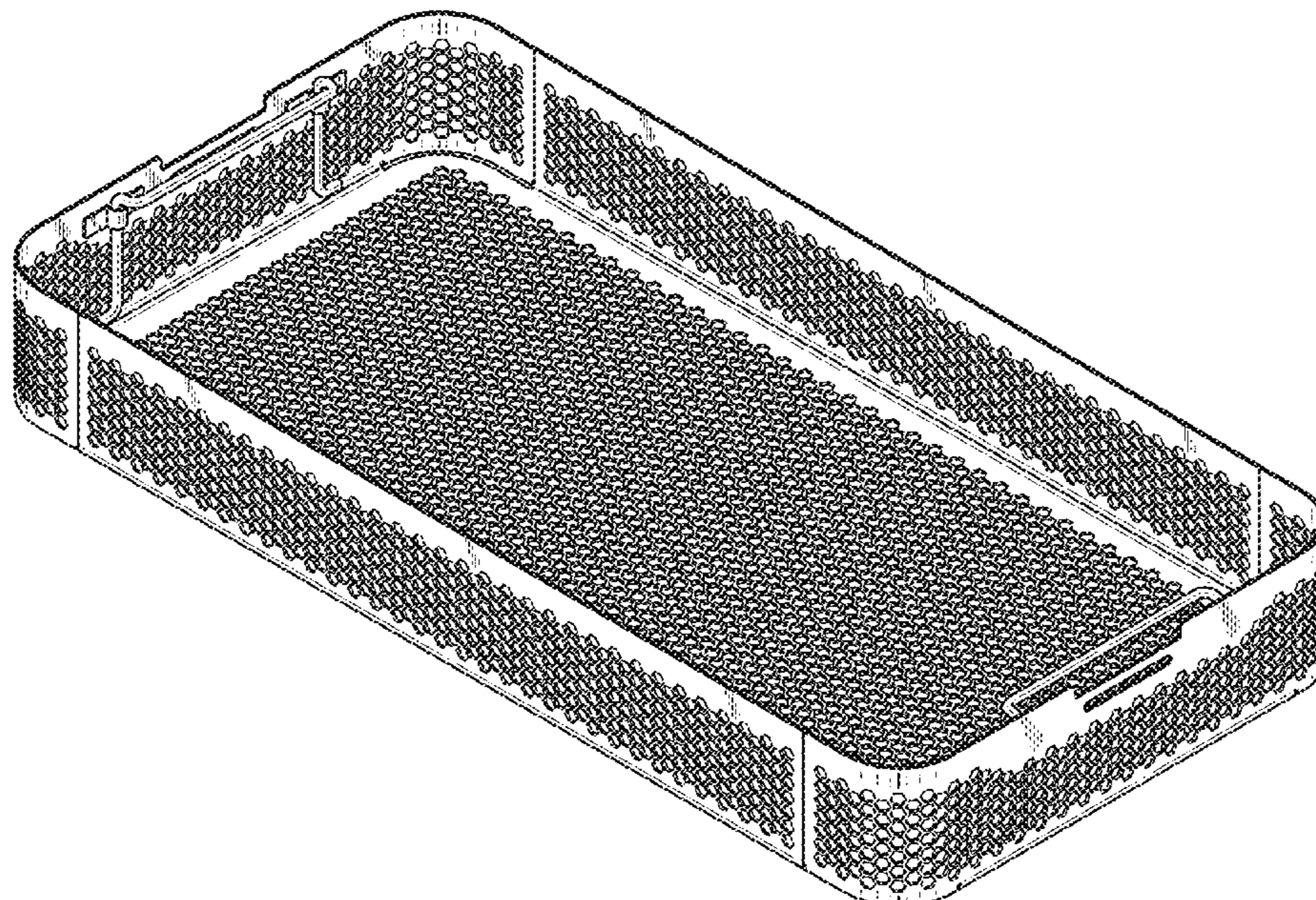
I claim the ornamental design for a tray insert for a medical implant and/or instrument case, as shown and described.

DESCRIPTION

FIG. 1: Is a perspective view of the tray insert for a medical implant and/or instrument case from the top position; FIG. 2: is a left side view and a right side view thereof; FIG. 3: is a front view and a back view thereof; FIG. 4: is a top view thereof; and, FIG. 5: is a bottom view thereof.

The features shown in broken lines in various Figures are for illustrating reference or environmental structure.

1 Claim, 5 Drawing Sheets



(56)

References Cited

U.S. PATENT DOCUMENTS

2007/0215507 A1* 9/2007 Glenn A61B 50/33
206/438

OTHER PUBLICATIONS

Aesculap Stainless Steel Baskets, Standard Perforation. Online,
published date unknown. Retrieved on Sep. 14, 2021 from URL:
https://a-zortho.com/item-listing-default/item/3464-aesculap-stainless-steel-baskets-standard-perforation.*
https://www.paragonmedical.com/products_cases_and_trays.html.

* cited by examiner

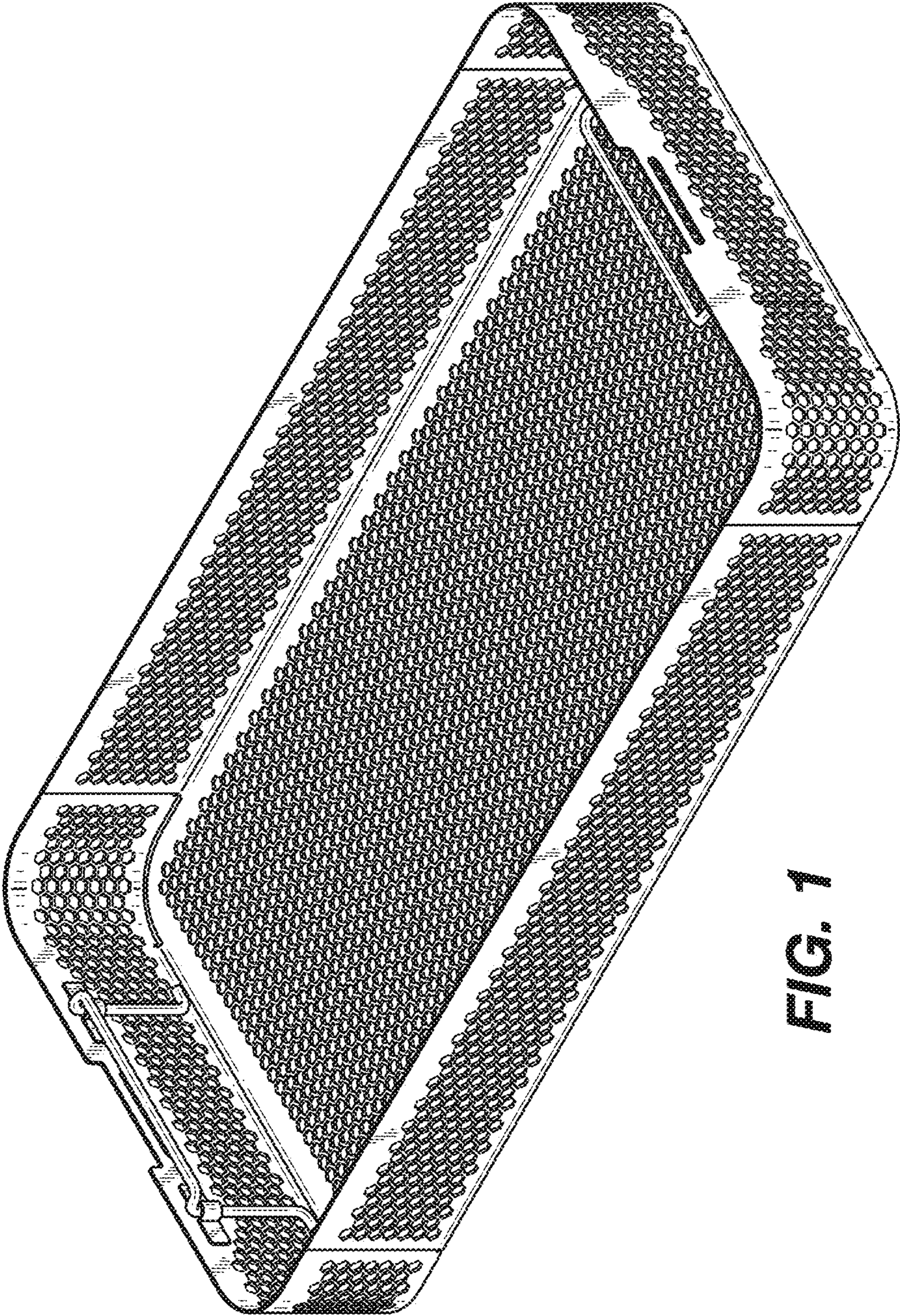


FIG. 1

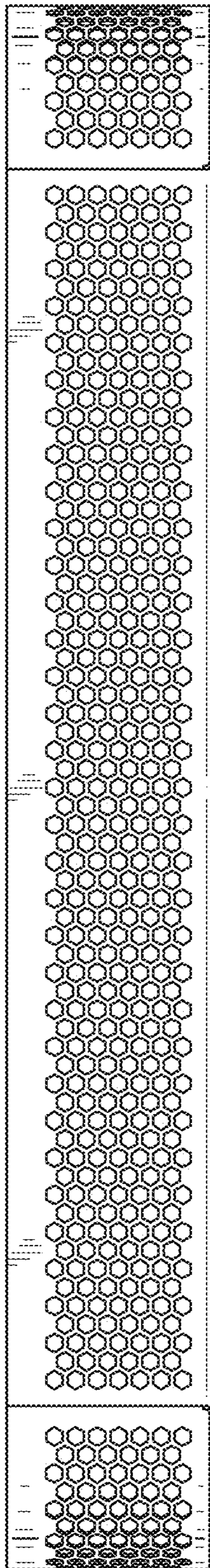


FIG. 2

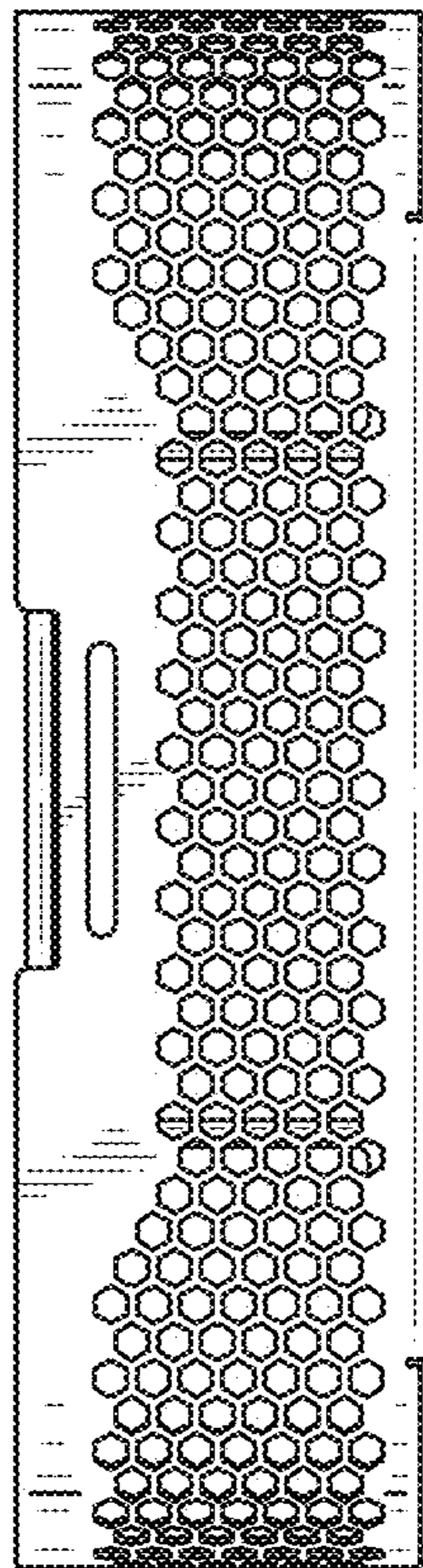


FIG. 3

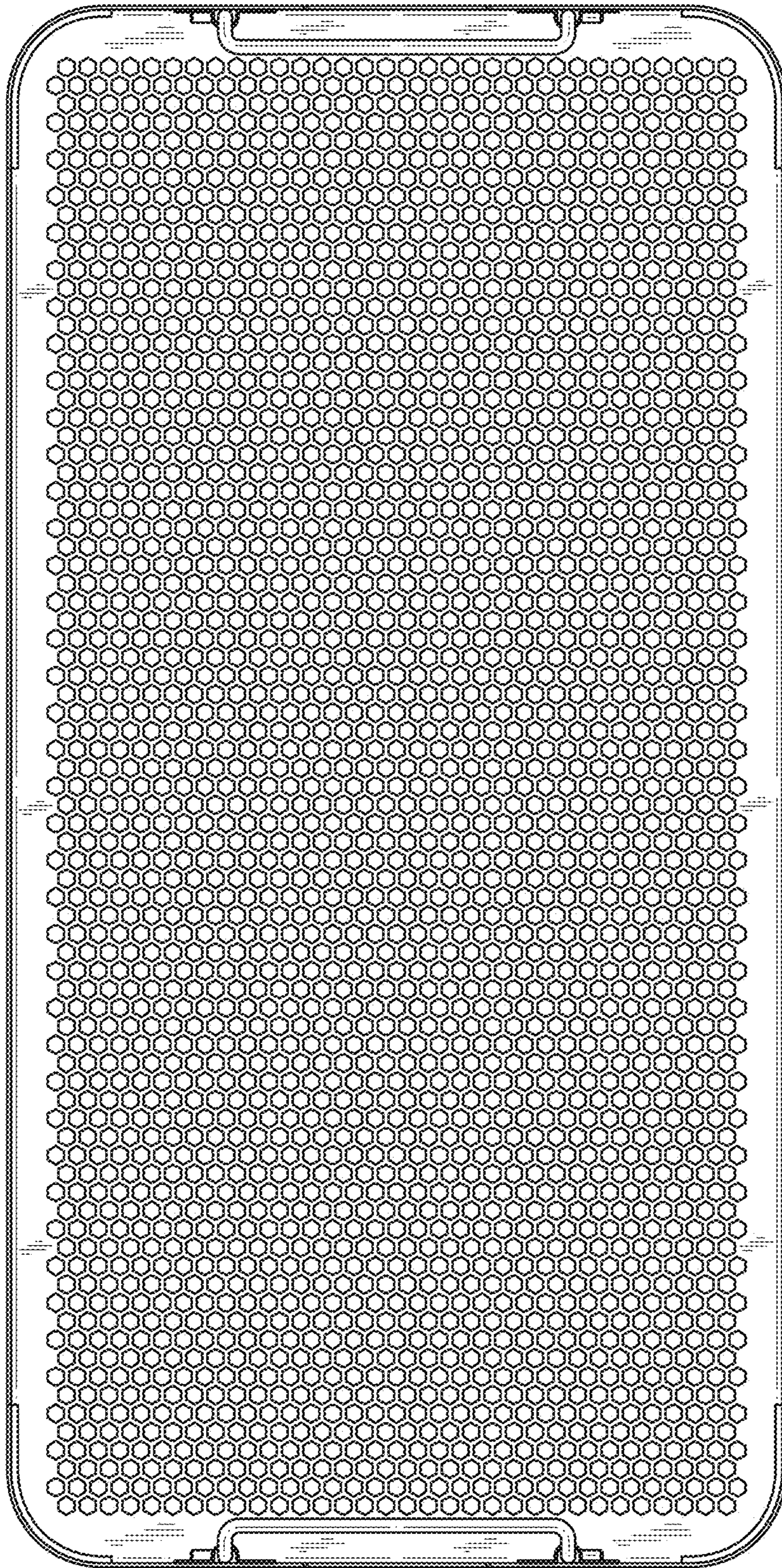


FIG. 4

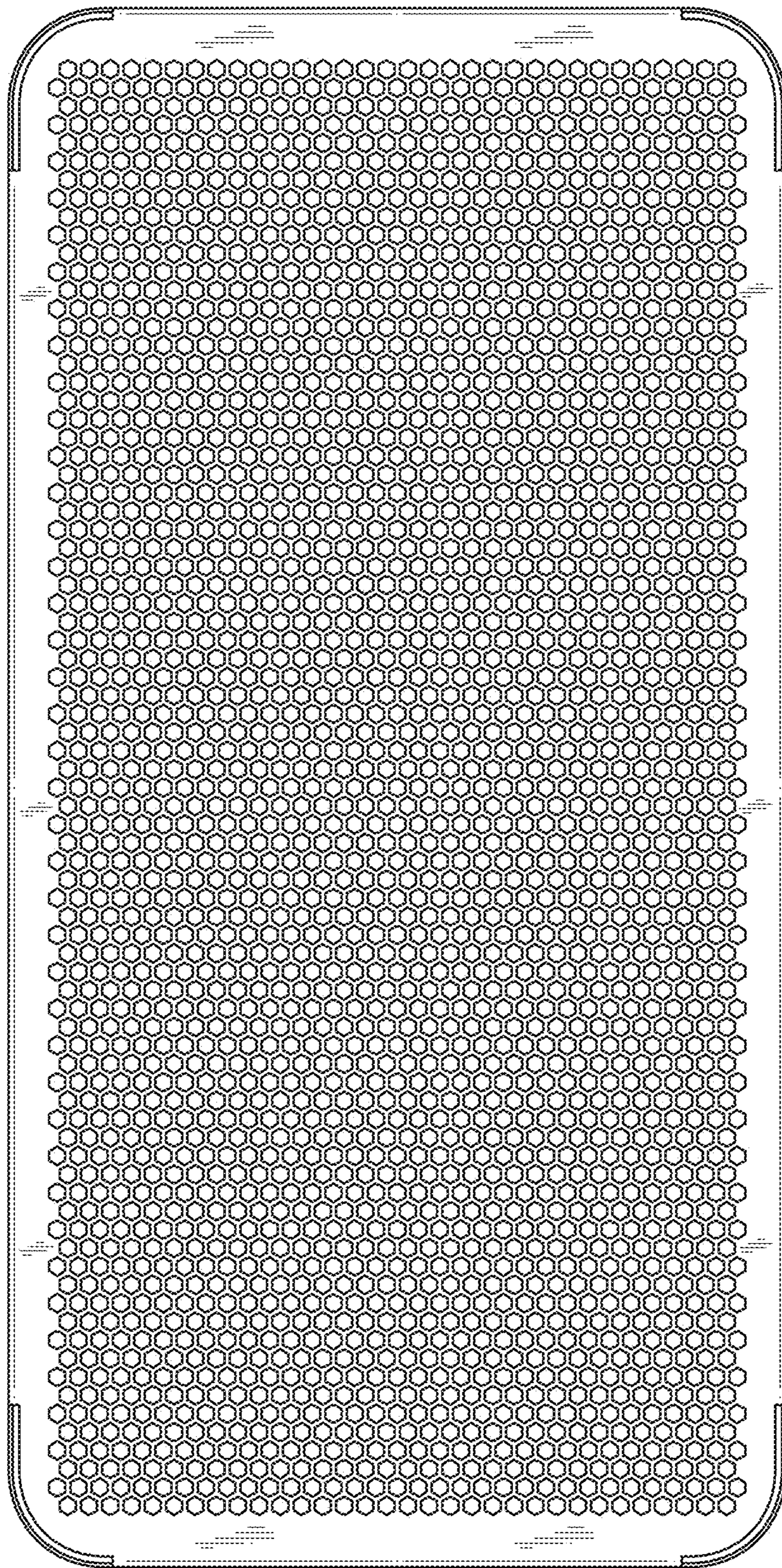


FIG. 5