



US00D953570S

(12) **United States Design Patent**
Uemura et al.

(10) **Patent No.:** **US D953,570 S**

(45) **Date of Patent:** **** May 31, 2022**

(54) **REAGENT CARTRIDGE**

(71) Applicant: **Nippon Chemiphar Co., Ltd.**, Tokyo (JP)

(72) Inventors: **Kenji Uemura**, Misato (JP); **Mai Egami**, Misato (JP); **Takahiro Mataka**, Tokyo (JP); **Norio Tanimoto**, Misato (JP)

(73) Assignee: **Nippon Chemiphar Co., Ltd.**, Tokyo (JP)

(**) Term: **15 Years**

(21) Appl. No.: **35/509,853**

(22) Filed: **Jan. 22, 2020**

(80) **Hague Agreement Data**

Int. Filing Date: **Jan. 22, 2020**

Int. Reg. No.: **DM/206540**

Int. Reg. Date: **Jan. 22, 2020**

Int. Reg. Pub. Date: **Jul. 24, 2020**

(30) **Foreign Application Priority Data**

Aug. 1, 2019 (JP) 2019-017228

(51) **LOC (13) Cl.** **24-02**

(52) **U.S. Cl.**
USPC **D24/224; D24/227**

(58) **Field of Classification Search**
USPC D24/186-189, 222, 224-227, 229, 230
CPC .. B01L 3/527; B01L 7/00; B01L 7/02; C12M 23/06
See application file for complete search history.

(56) **References Cited**

U.S. PATENT DOCUMENTS

D438,633 S * 3/2001 Miller D24/216
D618,820 S * 6/2010 Wilson D24/227

D637,737 S * 5/2011 Wilson D24/230
D669,597 S * 10/2012 Cavada D24/224
D672,881 S * 12/2012 Kraihanzel D24/224
D692,162 S * 10/2013 Lentz D24/224
D778,459 S * 2/2017 Tajima D24/224
D808,039 S * 1/2018 Self D24/227
D814,652 S * 4/2018 Buxton D24/224
D831,843 S * 10/2018 Lentz D24/224
D838,380 S * 1/2019 Self D24/224
D839,093 S * 1/2019 Livingston D9/456
D862,728 S * 10/2019 Livingston D24/227
D893,743 S * 8/2020 Self D24/224
D903,143 S * 11/2020 Self D24/224
D907,797 S * 1/2021 Zergiebel D24/224
D912,272 S * 3/2021 Self D24/224
D925,765 S * 7/2021 Self D24/224

OTHER PUBLICATIONS

Chemiphar. Slide 17—Diagnostics 1: New Product. 2019. https://www.chemiphar.co.jp/english/business_results/20191112e.pdf (Year: 2019).*

* cited by examiner

Primary Examiner — Darcey E Gottschalk

(74) *Attorney, Agent, or Firm* — Sughrue Mion, PLLC

(57) **CLAIM**

The ornamental design for a reagent cartridge, as shown and described.

DESCRIPTION

1. Reagent cartridge

1.1 : Front

1.2 : Back

1.3 : Top

1.4 : Bottom

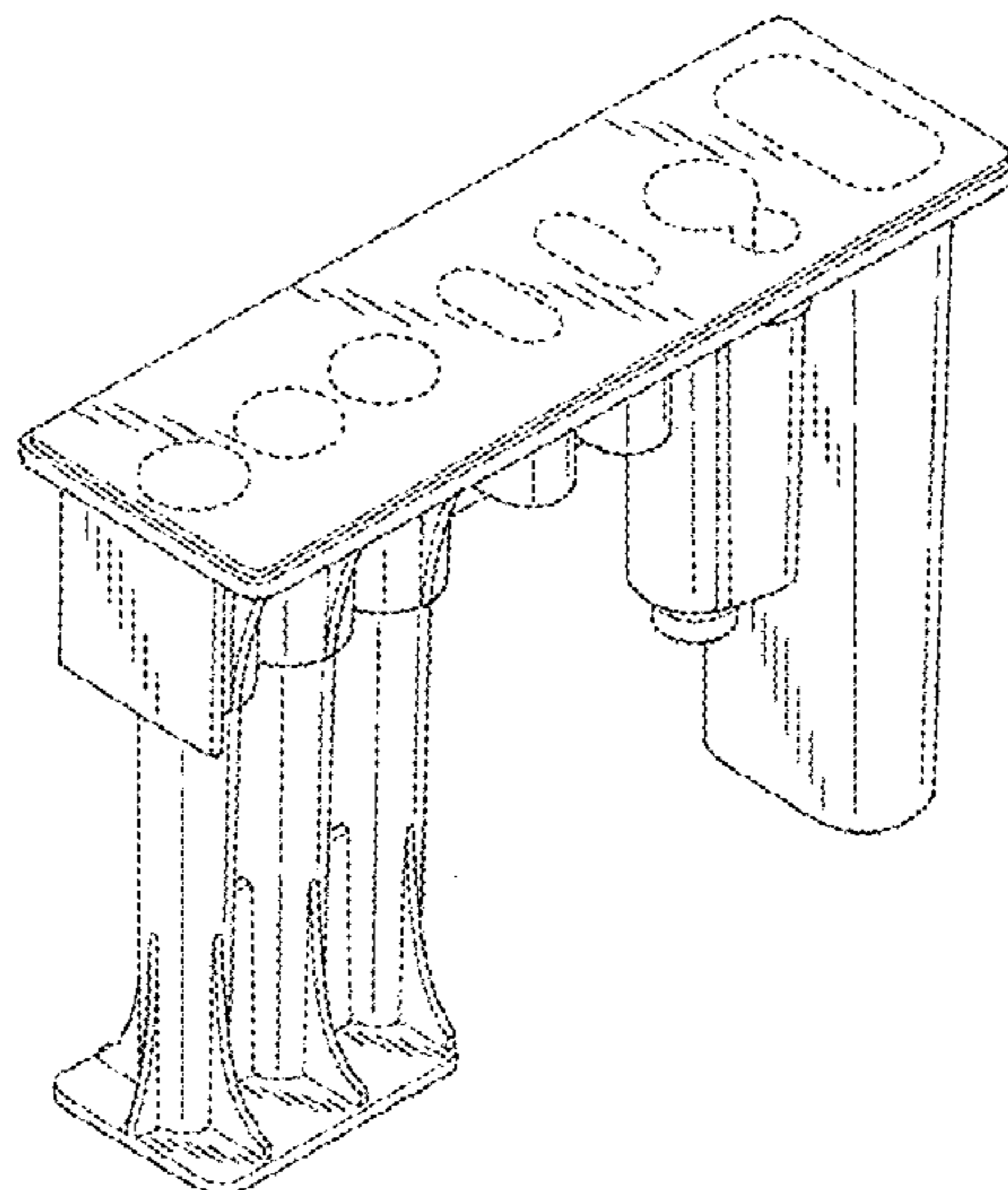
1.5 : Right

1.6 : Left

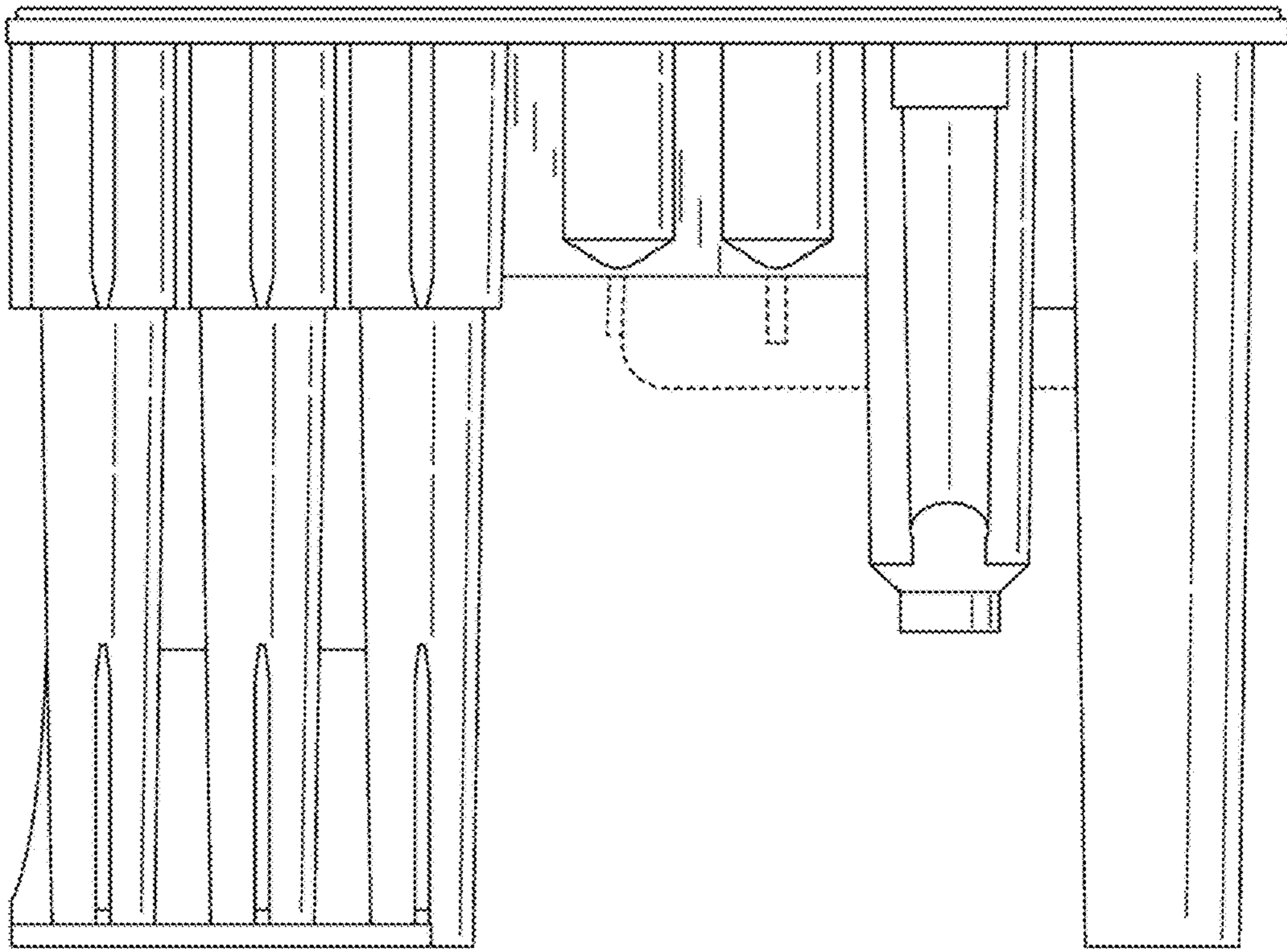
1.7 : Perspective

The broken lines depict portions of the reagent cartridge that form no part of the claim.

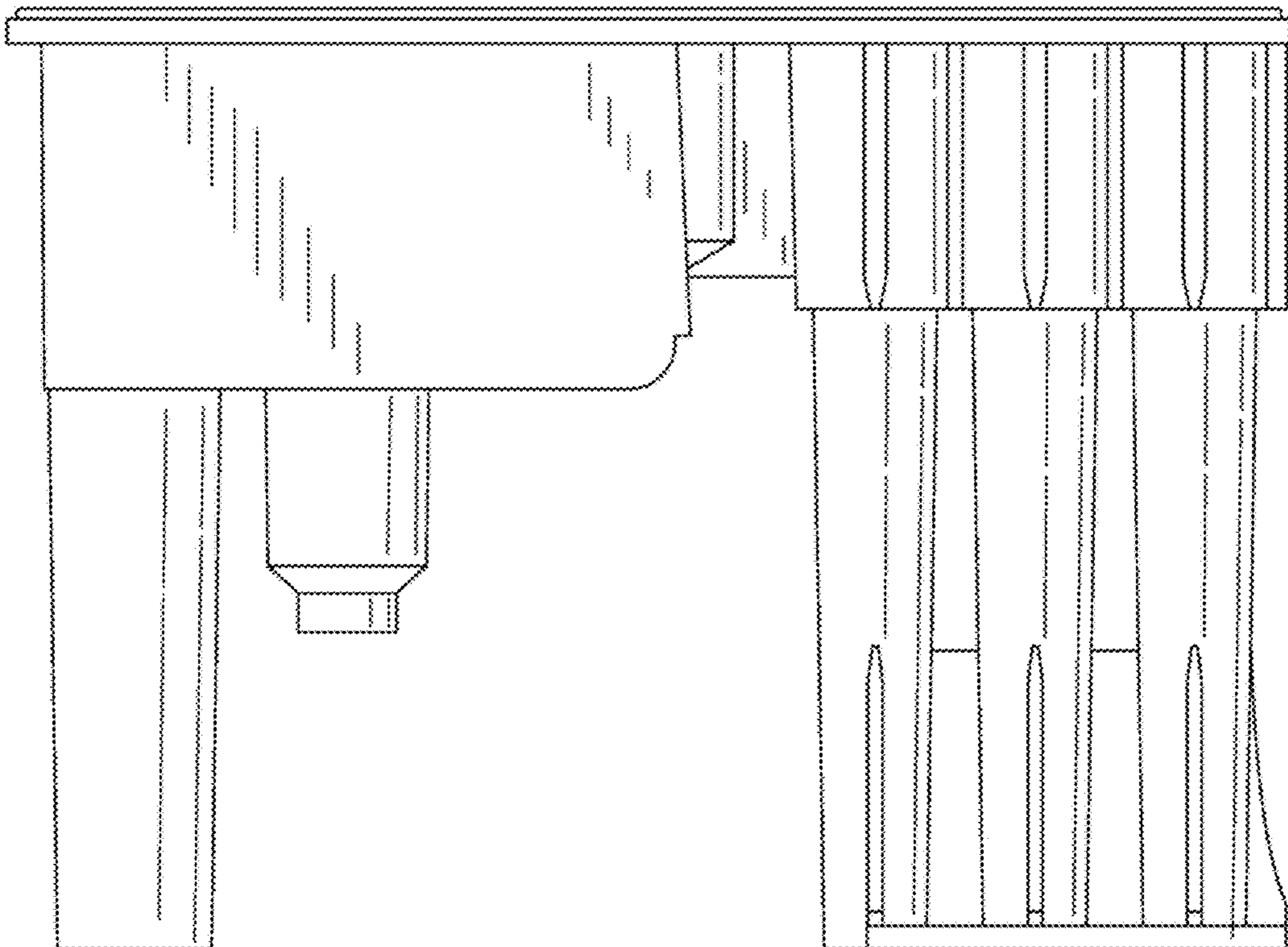
1 Claim, 4 Drawing Sheets



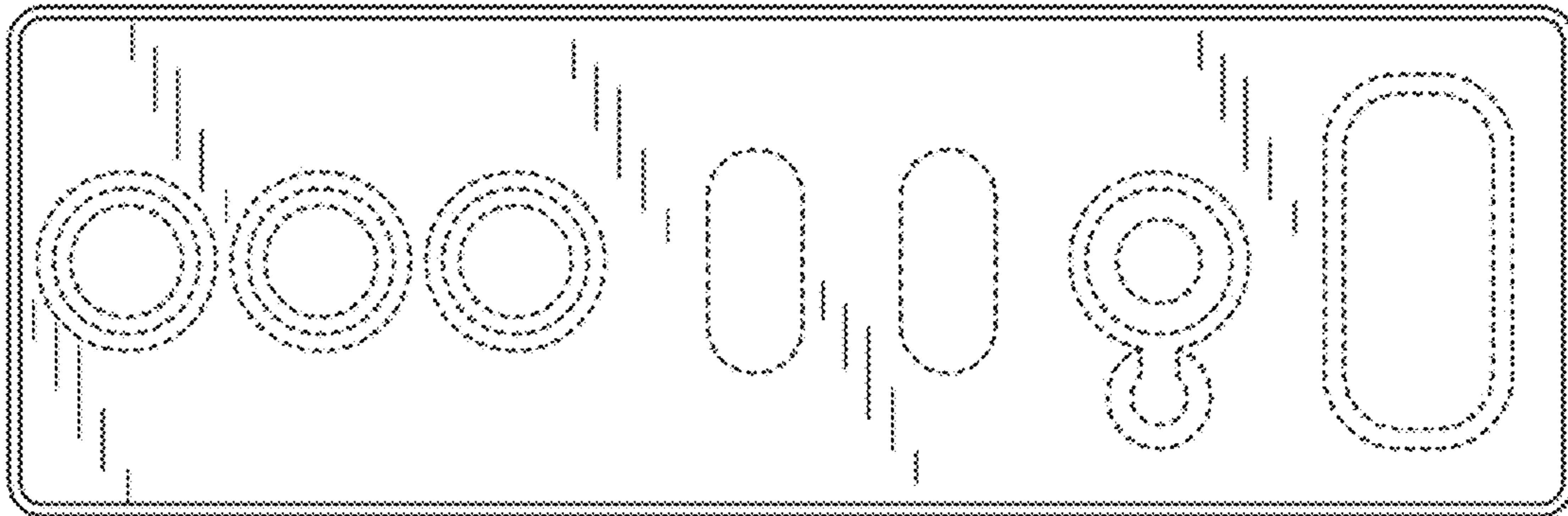
1.1



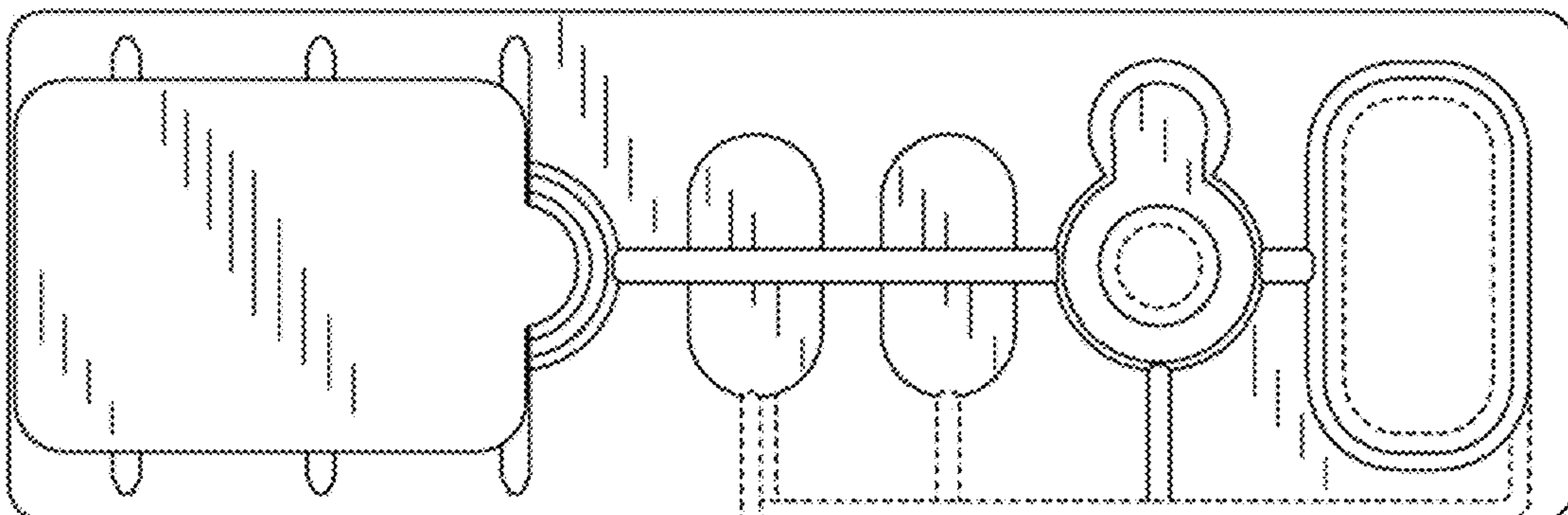
1.2



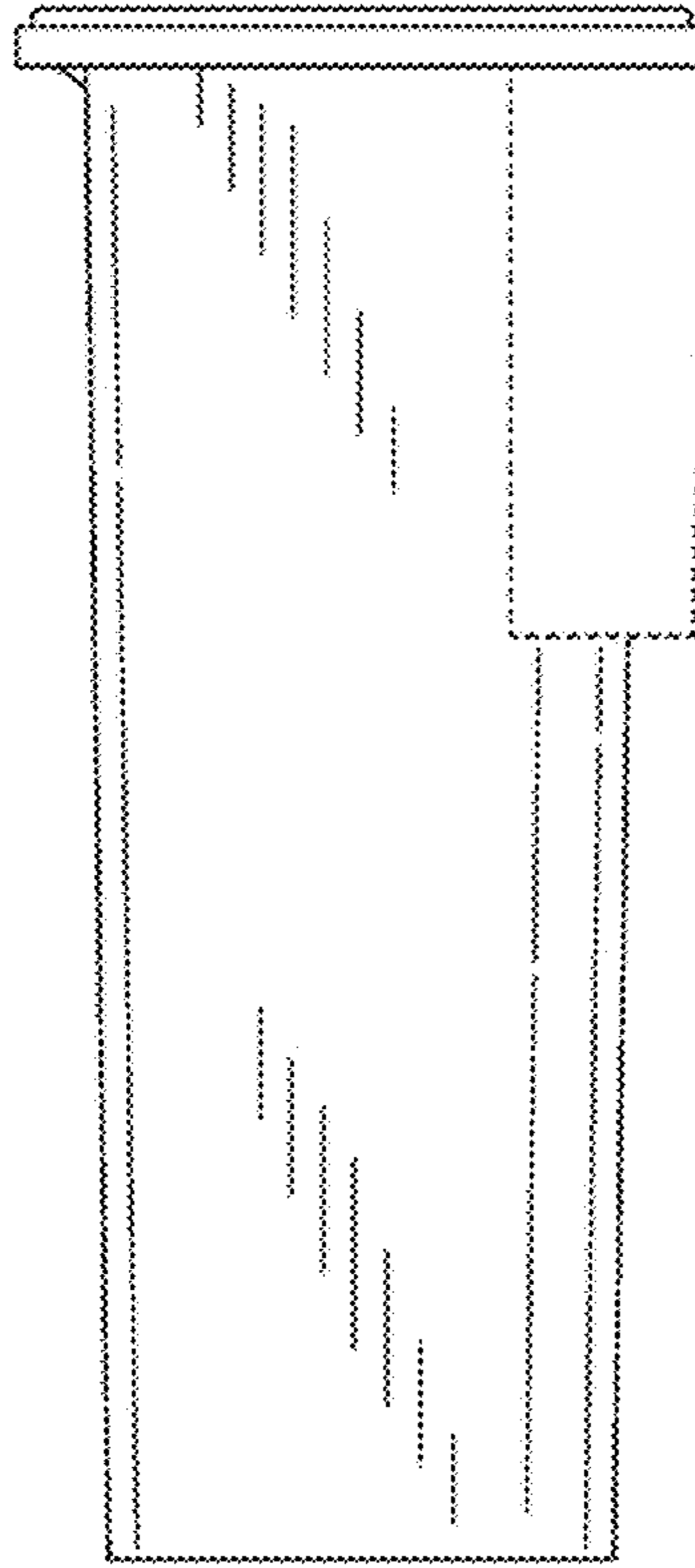
1.3



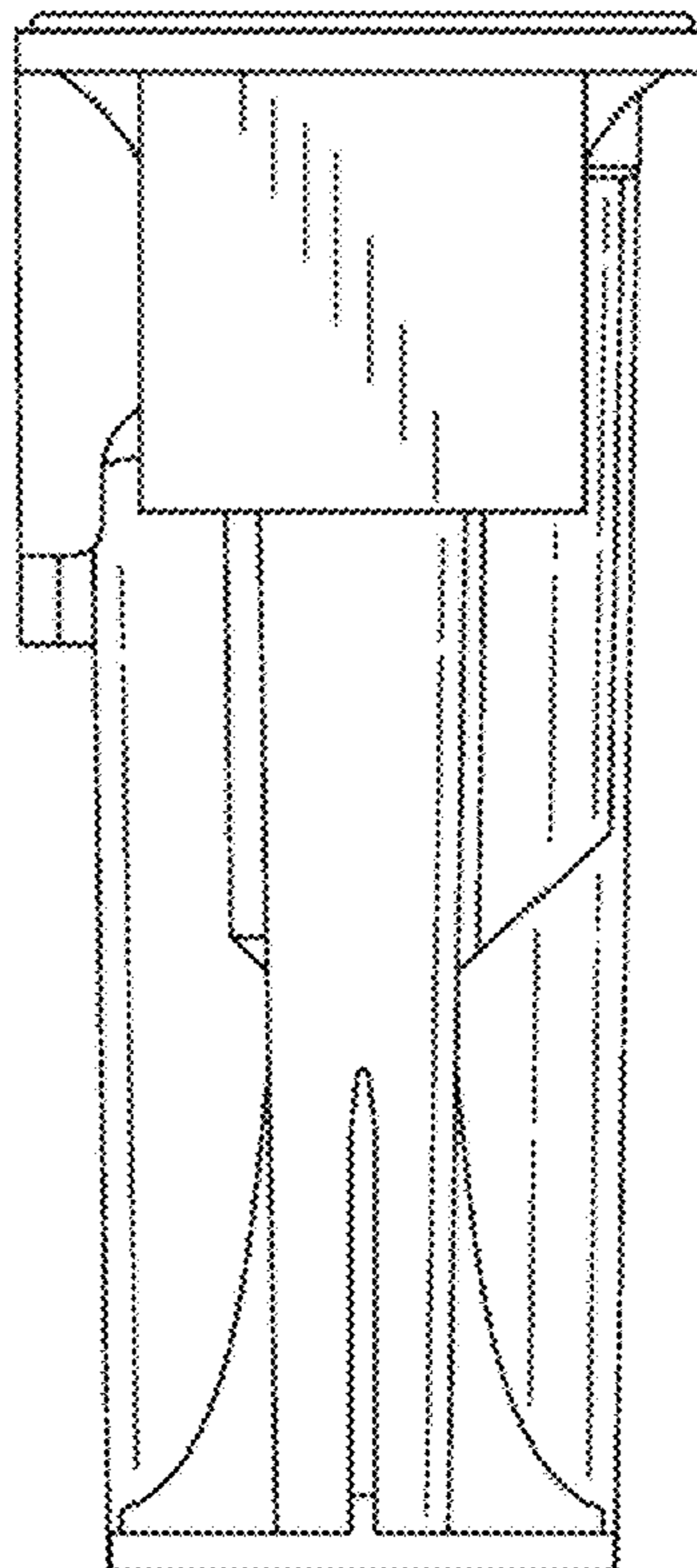
1.4

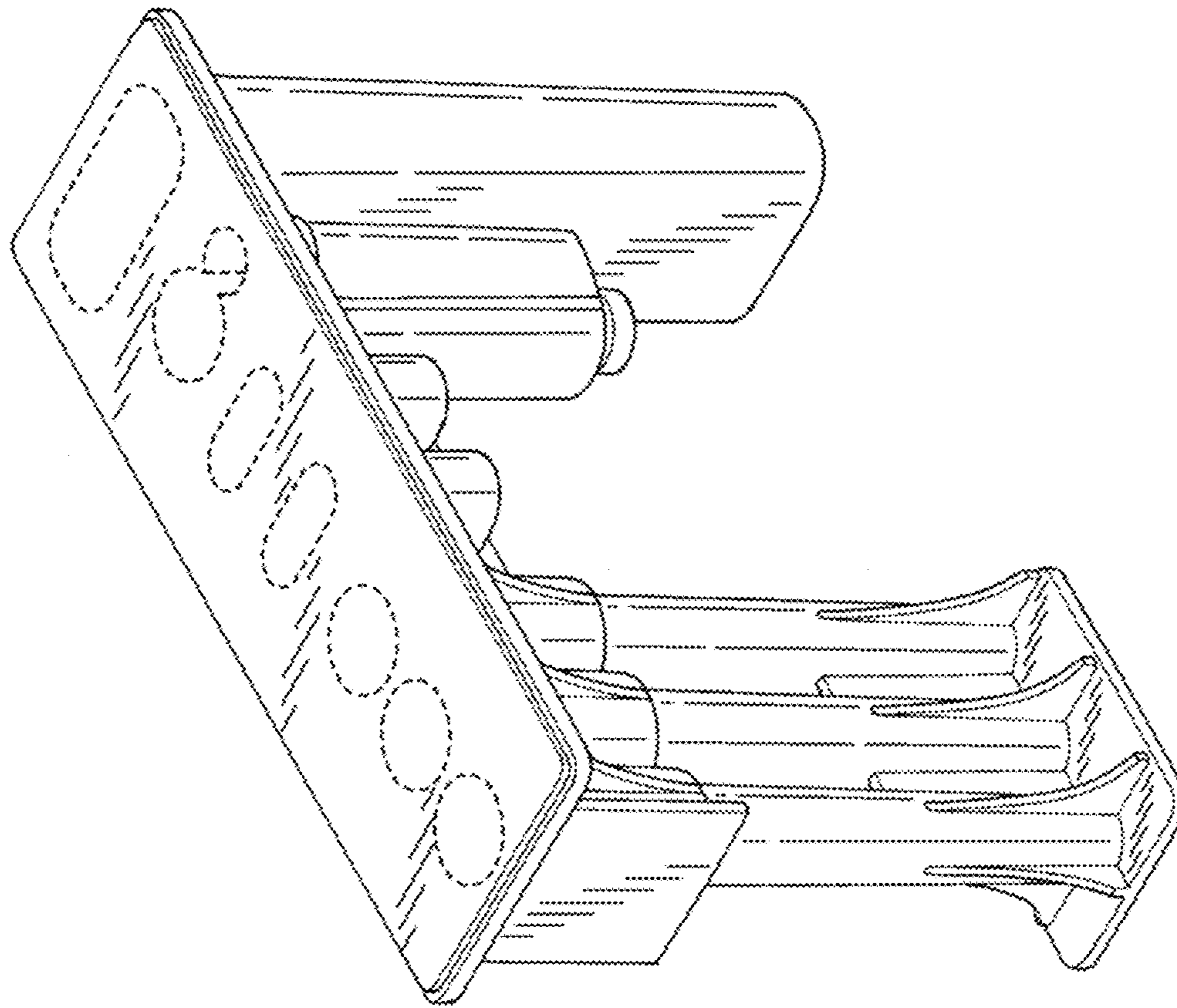


1.5



1.6





1.7