



US00D953569S

(12) **United States Design Patent** (10) **Patent No.:** **US D953,569 S**
Matsuoka et al. (45) **Date of Patent:** **** *May 31, 2022**

(54) **CUVETTE**
(71) Applicant: **Hitachi High-Tech Corporation**,
Tokyo (JP)
(72) Inventors: **Yuya Matsuoka**, Tokyo (JP); **Eiichiro Takada**, Tokyo (JP)
(73) Assignee: **Hitachi High-Tech Corporation**,
Tokyo (JP)
(*) Notice: This patent is subject to a terminal disclaimer.
(**) Term: **15 Years**
(21) Appl. No.: **29/751,993**
(22) Filed: **Sep. 24, 2020**
(30) **Foreign Application Priority Data**
Mar. 24, 2020 (JP) 2020-005603 D
(51) **LOC (13) Cl.** **24-02**
(52) **U.S. Cl.**
USPC **D24/224**
(58) **Field of Classification Search**
USPC D24/107, 121-123, 216-217, 219,
D24/223-227, 229-231, 232; D9/504,
D9/516, 519, 529, 549, 574, 715, 719;
D3/201, 203.1, 203.2
CPC ... B29C 65/665; A61B 10/0045; A61B 5/154;
A61J 1/1468; B01L 3/50825; B65D 41/04
See application file for complete search history.

D645,972 S * 9/2011 Wilkinson D24/224
D647,210 S * 10/2011 Wilkinson D24/224
D764,679 S * 8/2016 Franciskovich D24/224
D770,182 S * 11/2016 Hunter D4/103
D833,030 S * 11/2018 Sasano D24/224
D844,434 S * 4/2019 Toribio D9/500
(Continued)

FOREIGN PATENT DOCUMENTS

RU 2007500444 * 7/2008
WO WO 2020/066165 A1 4/2020

OTHER PUBLICATIONS

Hach 4864302 Sample Cell: 1" Round Plastic 10mL with 1cm Pathlength. Online, published date Dec. 16, 2014. Retrieved on Oct. 26, 2021 from URL: <https://www.amazon.com/Hach-4864302-Sample-Cell-Pathlength/dp/B00R3ECSRE>.
(Continued)

Primary Examiner — Omeed Agilee
(74) *Attorney, Agent, or Firm* — Crowell & Moring LLP

(57) **CLAIM**

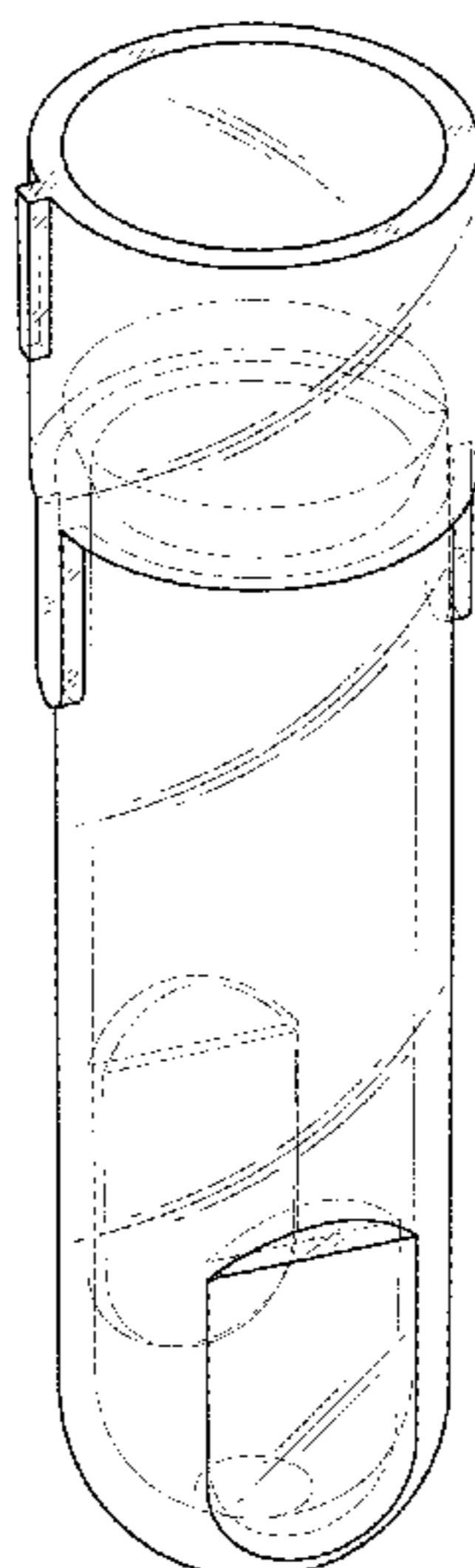
The ornamental design for a cuvette, as shown and described.

DESCRIPTION

FIG. 1 is a front, top, and left side perspective view of a cuvette according to the design;
FIG. 2 is a front view thereof;
FIG. 3 is a left side view thereof;
FIG. 4 is a right side view thereof;
FIG. 5 is a top plan view thereof;
FIG. 6 is a bottom plan view thereof;
FIG. 7 is a rear view thereof;
FIG. 8 is a cross-sectional view taken along line 8-8 of FIG. 2; and,
FIG. 9 is a cross-sectional view taken along line 9-9 of FIG. 4.

1 Claim, 4 Drawing Sheets

(56) **References Cited**
U.S. PATENT DOCUMENTS
D232,355 S * 8/1974 Wiedmann D24/224
D292,735 S * 11/1987 Lovborg D24/224
D357,985 S * 5/1995 Burns D24/224
D432,245 S * 10/2000 Stevens D24/216
D436,183 S * 1/2001 Stevens D20/22
D633,392 S * 3/2011 Northrop D9/521



(56)

References Cited

U.S. PATENT DOCUMENTS

D879,319 S * 3/2020 Kakuda D24/224
D882,113 S * 4/2020 Motadel D24/224
2018/0036733 A1* 2/2018 Williams B01L 3/502

OTHER PUBLICATIONS

U.S. Appl. No. 29/751,980, filed Sep. 24, 2020.
U.S. Appl. No. 29/751,988, filed Sep. 24, 2020.
U.S. Appl. No. 29/751,974, filed Sep. 24, 2020.
United States Non-Final Office Action issued in U.S. Appl. No.
29/751,980 dated Oct. 29, 2021 (15 pages).
United States Non-Final Office Action issued in U.S. Appl. No.
29/751,988 dated Oct. 29, 2021 (15 pages).
United States Non-Final Office Action issued in U.S. Appl. No.
29/751,974 dated Oct. 29, 2021 (15 pages).

* cited by examiner

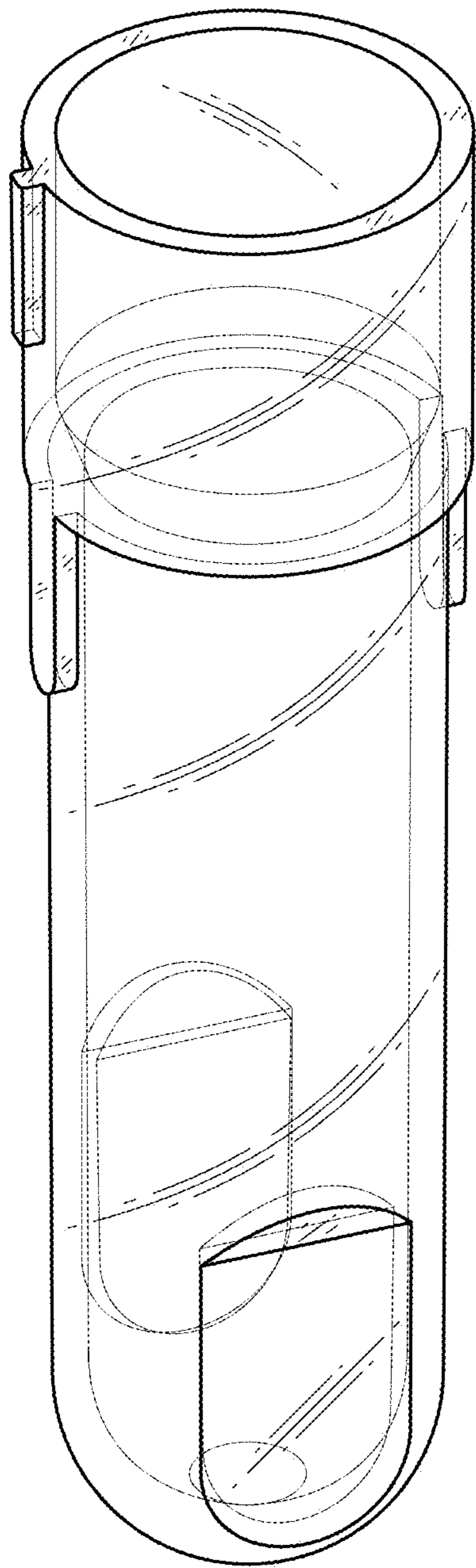
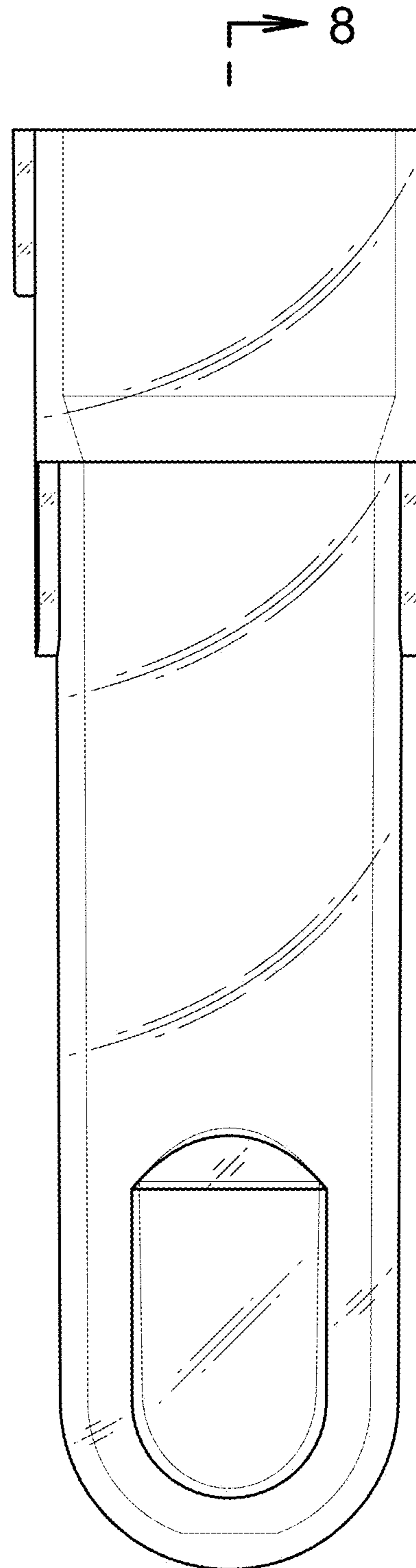


FIG. 1



8

FIG. 2

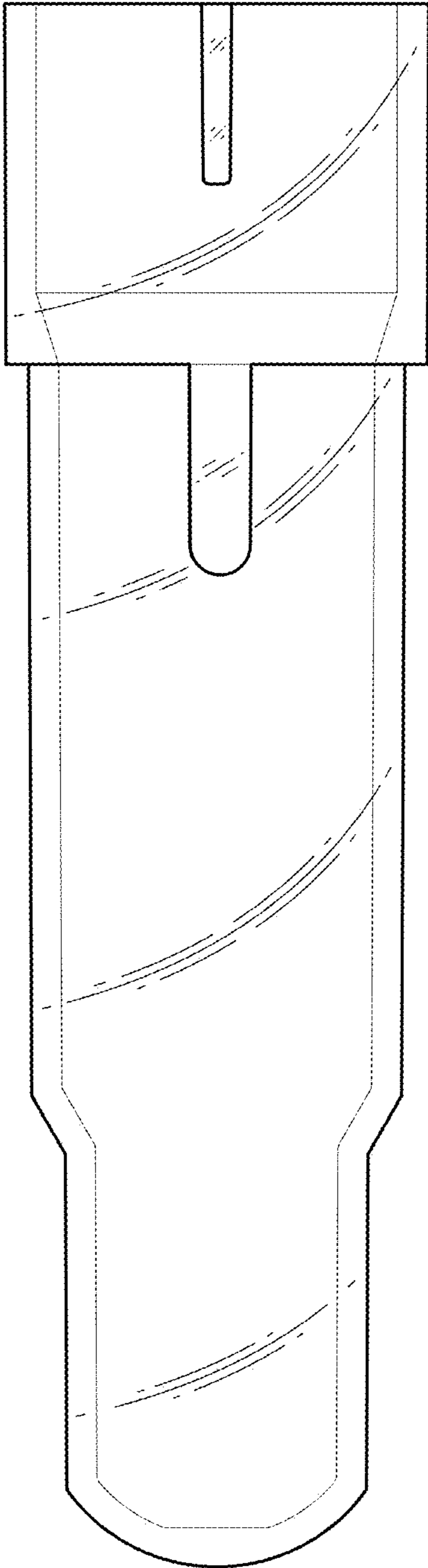


FIG. 3

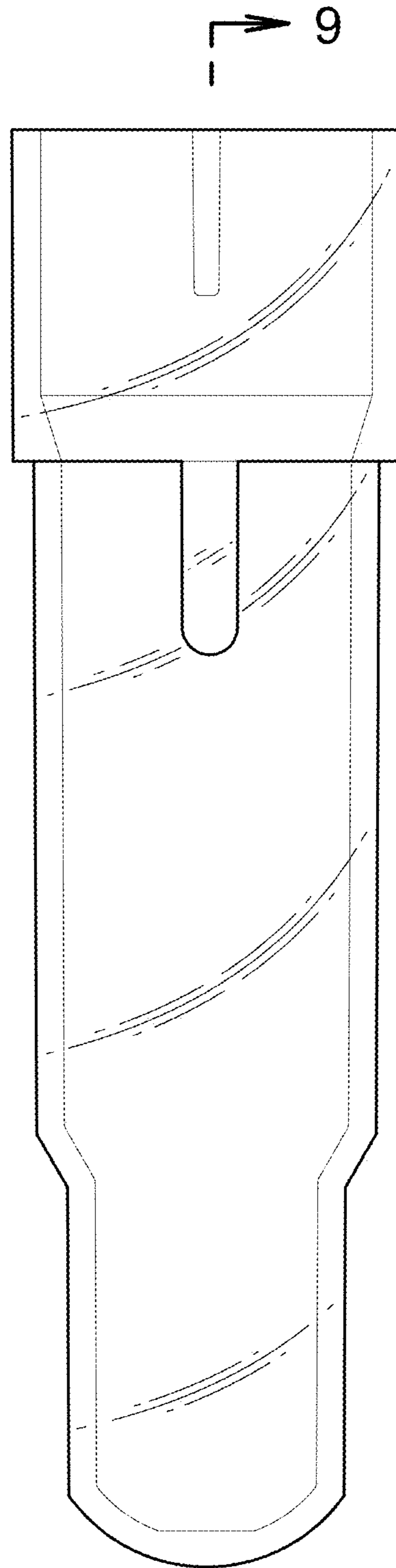


FIG. 4

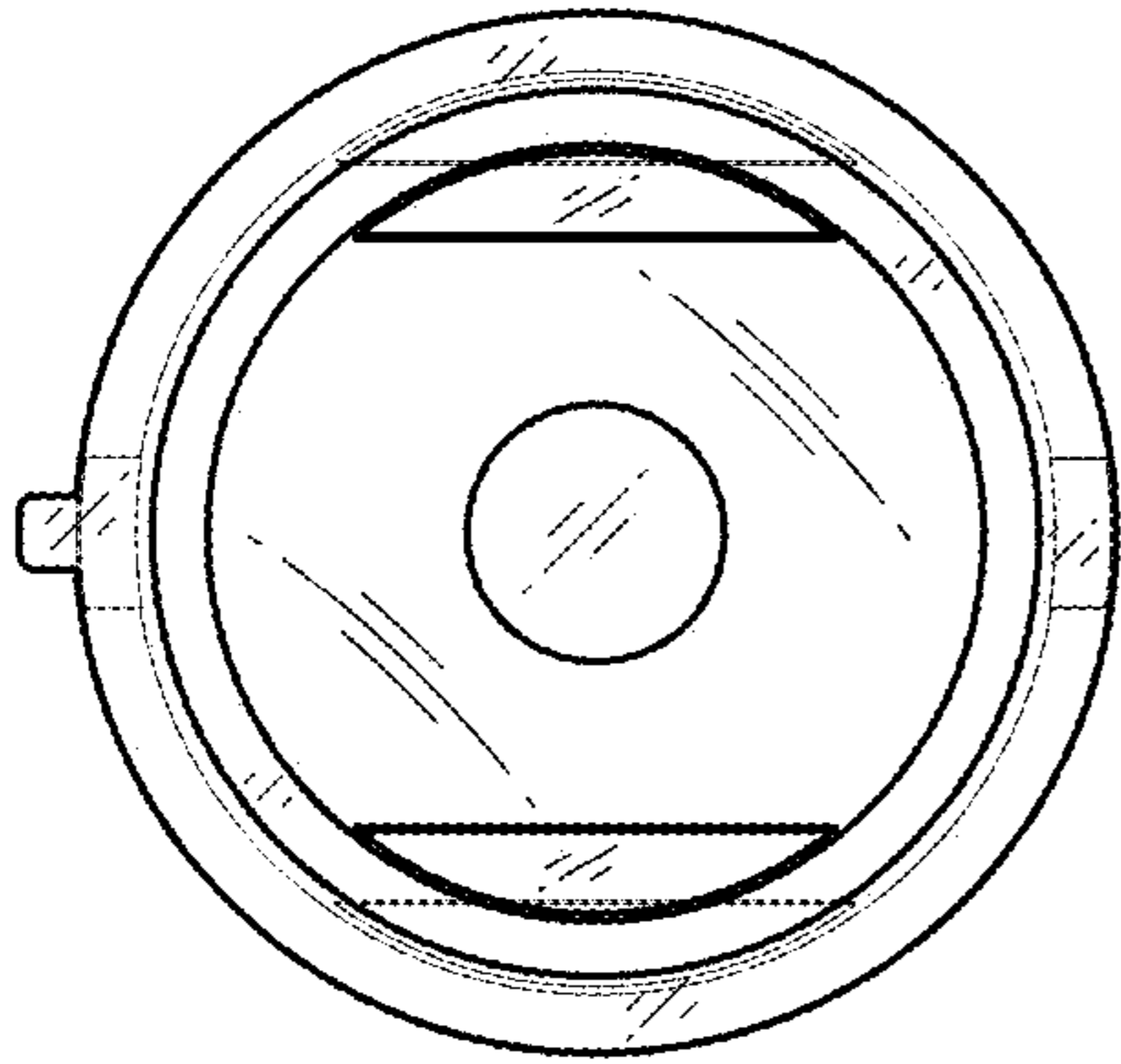


FIG. 5

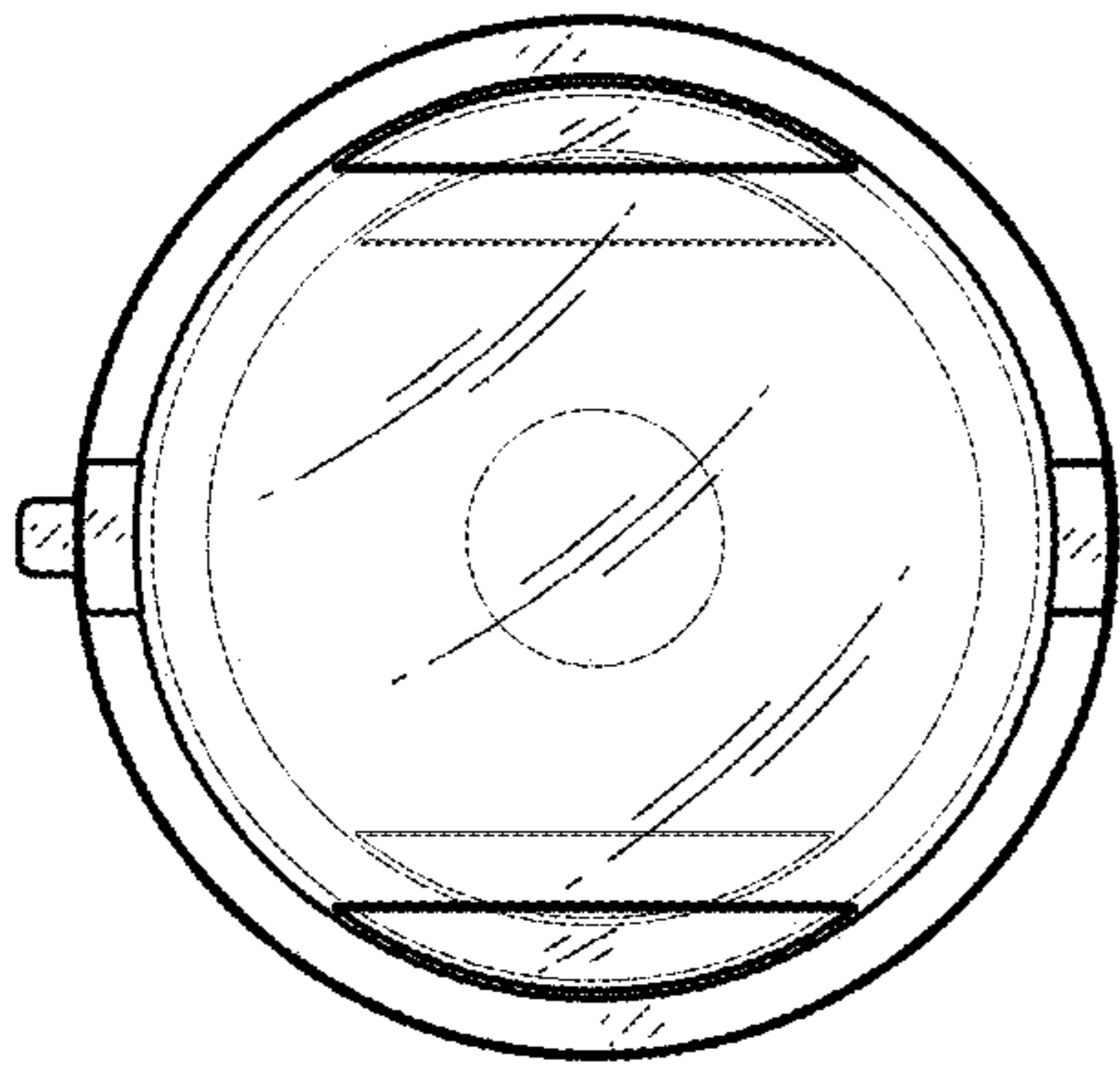


FIG. 6

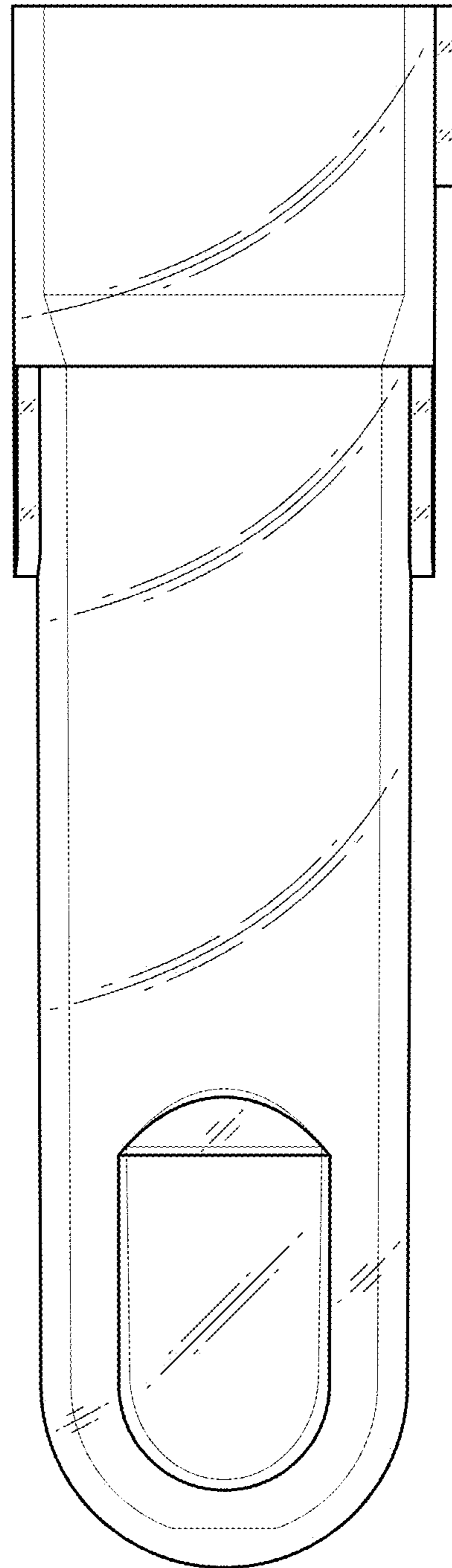


FIG. 7

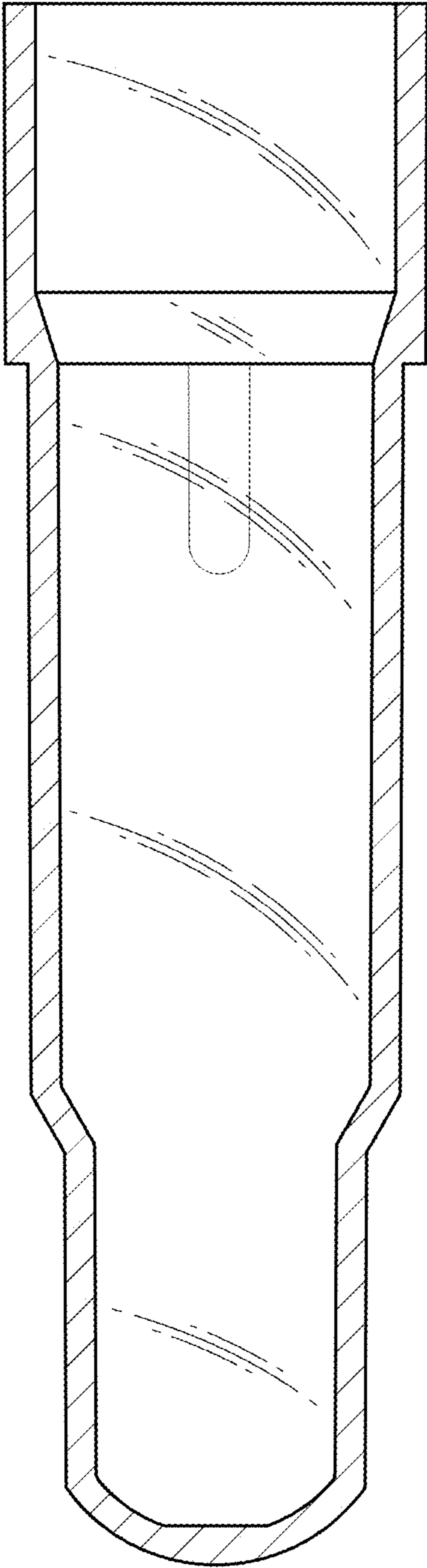


FIG. 8

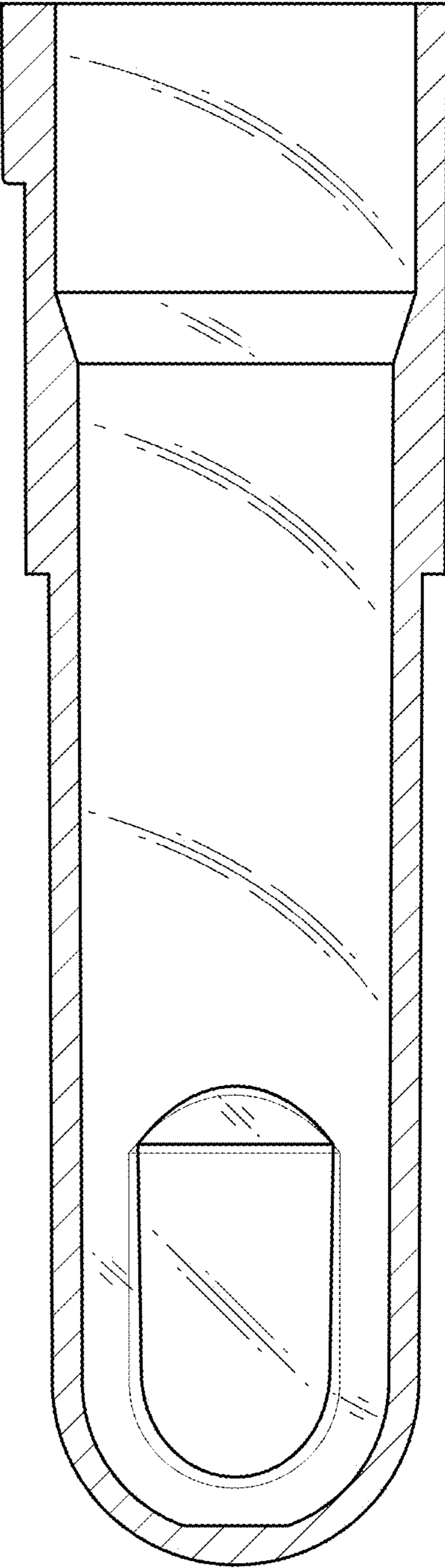


FIG. 9