



US00D953568S

(12) **United States Design Patent** (10) **Patent No.:** **US D953,568 S**  
**Matsuoka et al.** (45) **Date of Patent:** **\*\* \*May 31, 2022**

(54) **CUVETTE**  
(71) Applicant: **Hitachi High-Tech Corporation**,  
Tokyo (JP)

D633,392 S \* 3/2011 Northrop ..... D9/521  
D645,972 S \* 9/2011 Wilkinson ..... D24/224  
D647,210 S \* 10/2011 Wilkinson ..... D24/224  
(Continued)

(72) Inventors: **Yuya Matsuoka**, Tokyo (JP); **Eiichiro Takada**, Tokyo (JP)

FOREIGN PATENT DOCUMENTS

RU 2007500444 \* 7/2008  
WO WO 2020/066165 A1 4/2020

(73) Assignee: **Hitachi High-Tech Corporation**,  
Tokyo (JP)

OTHER PUBLICATIONS

(\*) Notice: This patent is subject to a terminal disclaimer.

Hach 4864302 Sample Cell: 1" Round Plastic 10mL with 1cm Pathlength. Online, published date Dec. 16, 2014. Retrieved on Oct. 26, 2021 from URL: <https://www.amazon.com/Hach-4864302-Sample-Cell-Pathlength/dp/B00R3ECSRE>.\*

(\*\*) Term: **15 Years**

(Continued)

(21) Appl. No.: **29/751,988**

*Primary Examiner* — Omeed Agilee

(22) Filed: **Sep. 24, 2020**

(74) *Attorney, Agent, or Firm* — Crowell & Moring LLP

(30) **Foreign Application Priority Data**

Mar. 24, 2020 (JP) ..... 2020-005607 D

(51) **LOC (13) Cl.** ..... **24-02**

(52) **U.S. Cl.**  
USPC ..... **D24/224**

(58) **Field of Classification Search**  
USPC ..... D24/107, 121–123, 216–217, 219,  
D24/223–227, 229–231, 232; D9/504,  
D9/516, 519, 529, 549, 574, 715, 719;  
D3/201, 203.1, 203.2  
CPC ... B29C 65/665; A61B 10/0045; A61B 5/154;  
A61J 1/1468; B01L 3/50825; B65D 41/04  
See application file for complete search history.

(57) **CLAIM**

The ornamental design for a cuvette, as shown and described.

**DESCRIPTION**

FIG. 1 is a front, top, and left side perspective view of a cuvette according to the design;  
FIG. 2 is a front view thereof;  
FIG. 3 is a left side view thereof;  
FIG. 4 is a right side view thereof;  
FIG. 5 is a top plan view thereof;  
FIG. 6 is a bottom plan view thereof;  
FIG. 7 is a rear view thereof;  
FIG. 8 is a cross-sectional view taken along line 8-8 of FIG. 2; and,  
FIG. 9 is a cross-sectional view taken along line 9-9 of FIG. 4.

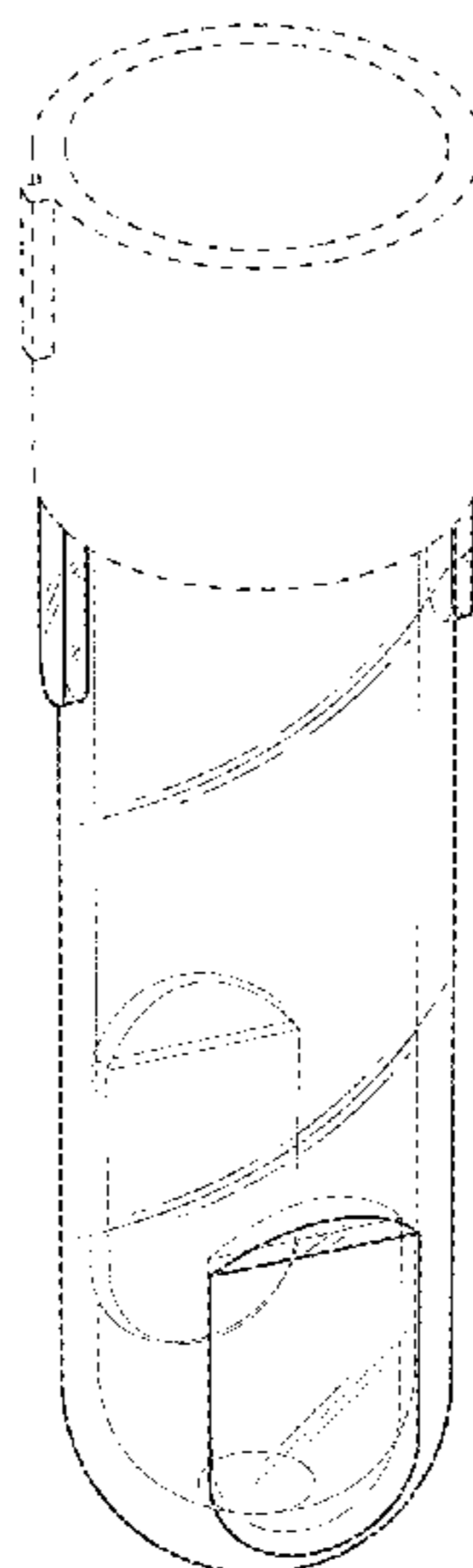
The dash lines depict portions of the cuvette that form no part of the claimed design. The dot dash broken lines depict the boundaries of the claim and form no part thereof.

(56) **References Cited**

U.S. PATENT DOCUMENTS

D232,355 S \* 8/1974 Wiedmann ..... D24/224  
D292,735 S \* 11/1987 Lovborg ..... D24/224  
D357,985 S \* 5/1995 Burns ..... D24/224  
D432,245 S \* 10/2000 Stevens ..... D24/216  
D436,183 S \* 1/2001 Stevens ..... D20/22

**1 Claim, 4 Drawing Sheets**



(56)

**References Cited**

U.S. PATENT DOCUMENTS

D764,679 S \* 8/2016 Franciskovich ..... D24/224  
D770,182 S \* 11/2016 Hunter ..... D4/103  
D833,030 S \* 11/2018 Sasano ..... D24/224  
D844,434 S \* 4/2019 Toribio ..... D9/500  
D879,319 S \* 3/2020 Kakuda ..... D24/224  
D882,113 S \* 4/2020 Motadel ..... D24/224  
2018/0036733 A1 \* 2/2018 Williams ..... B01L 3/502

OTHER PUBLICATIONS

United States Non-Final Office Action issued in United States U.S.  
Appl. No. 29/751,980 dated Oct. 29, 2021 (15 pages).  
United States Non-Final Office Action issued in United States U.S.  
Appl. No. 29/751,974 dated Oct. 29, 2021 (15 pages).  
United States Non-Final Office issued in United States U.S. Appl.  
No. 29/751,993 dated Oct. 29, 2021 (15 pages).  
U.S. Appl. No. 29/751,980, filed Sep. 24, 2020.  
U.S. Appl. No. 29/751,974, filed Sep. 24, 2020.  
U.S. Appl. No. 29/751,993, filed Sep. 24, 2020.

\* cited by examiner

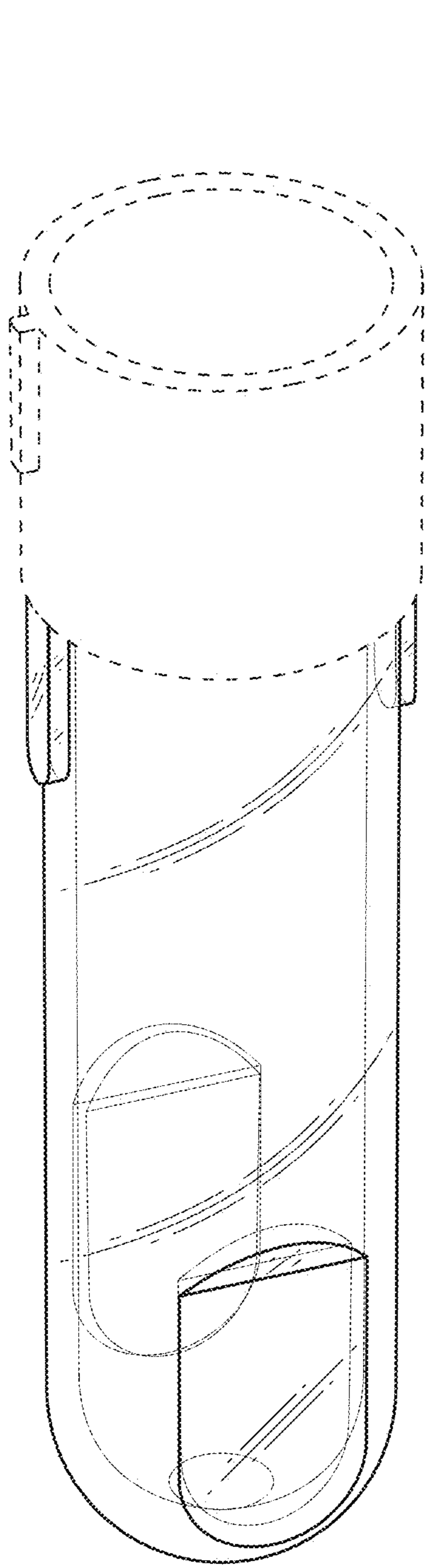
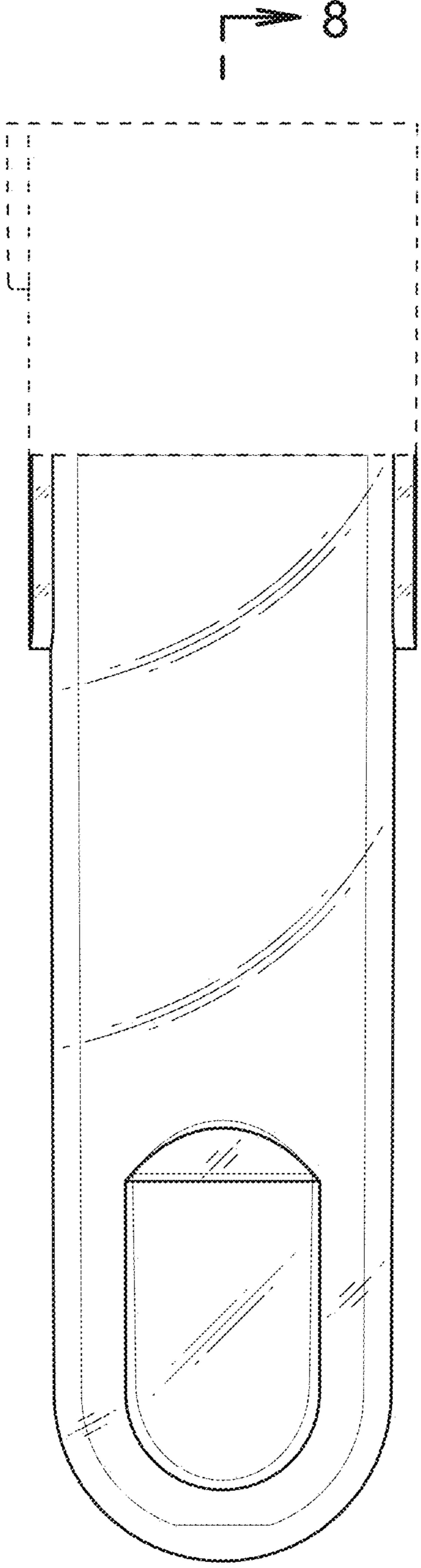


FIG. 1



8

8

FIG. 2

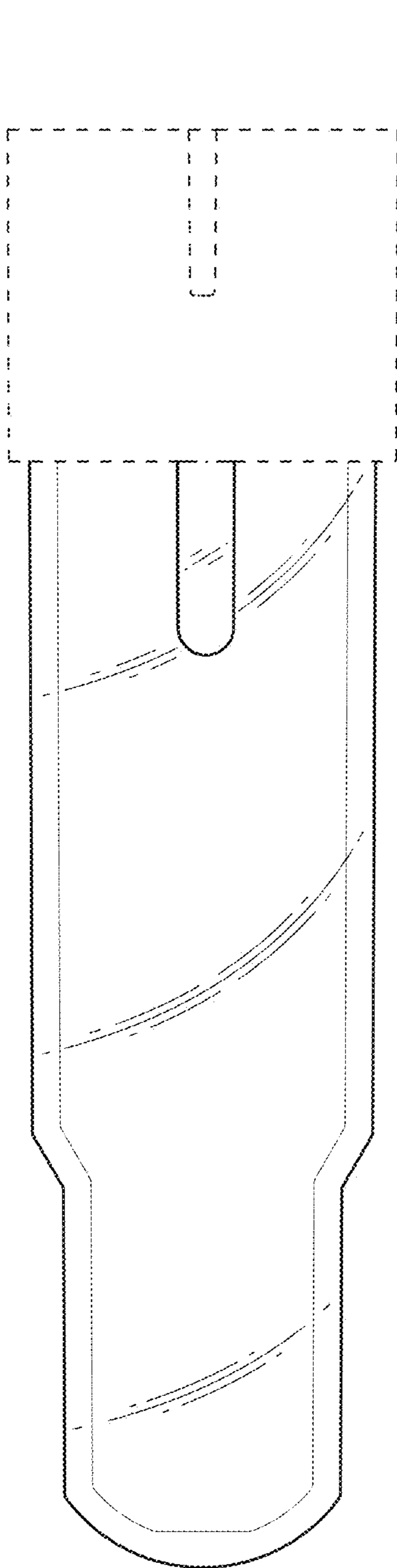


FIG. 3

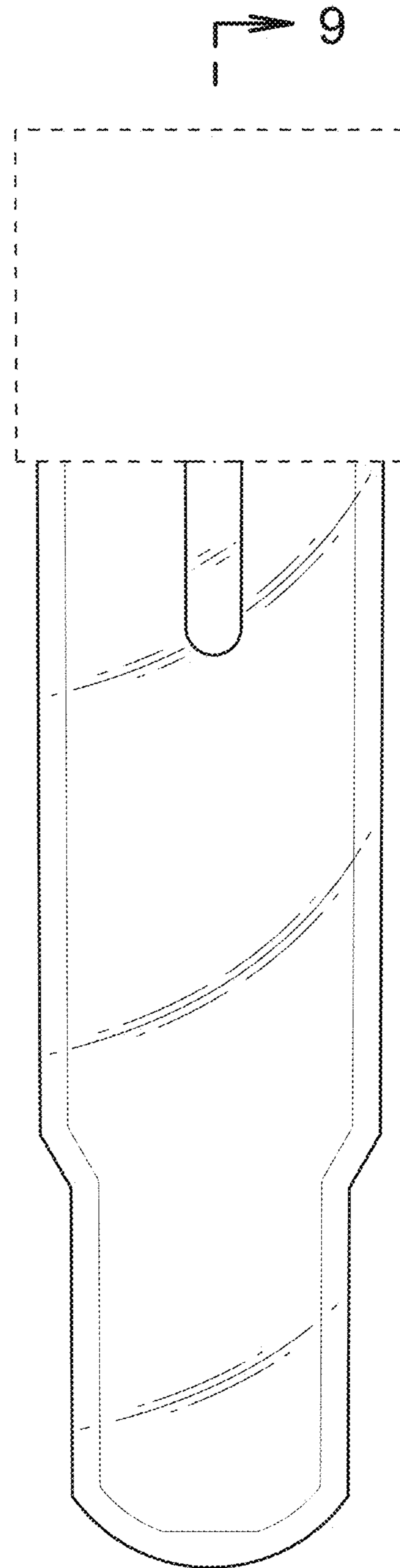
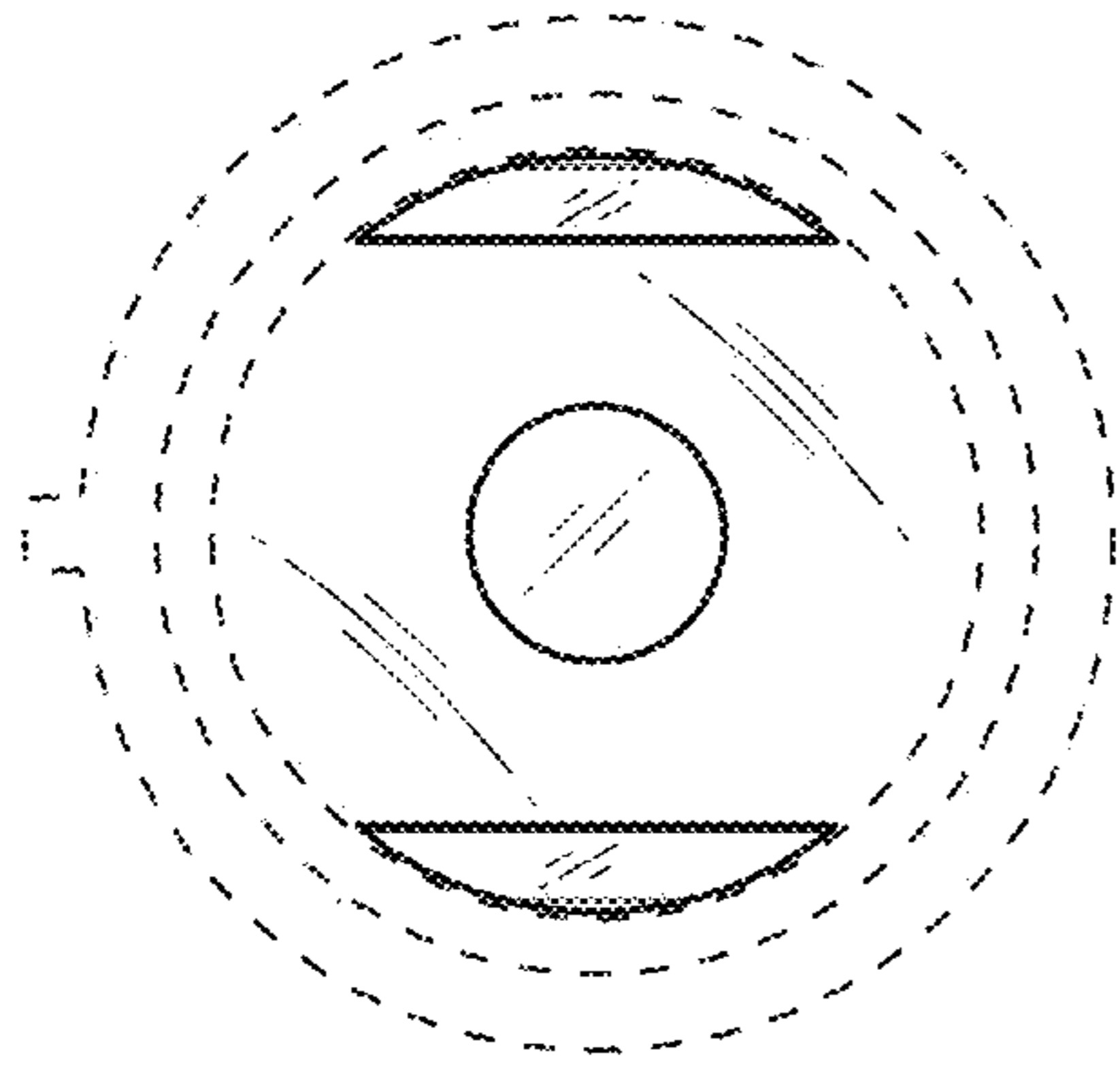
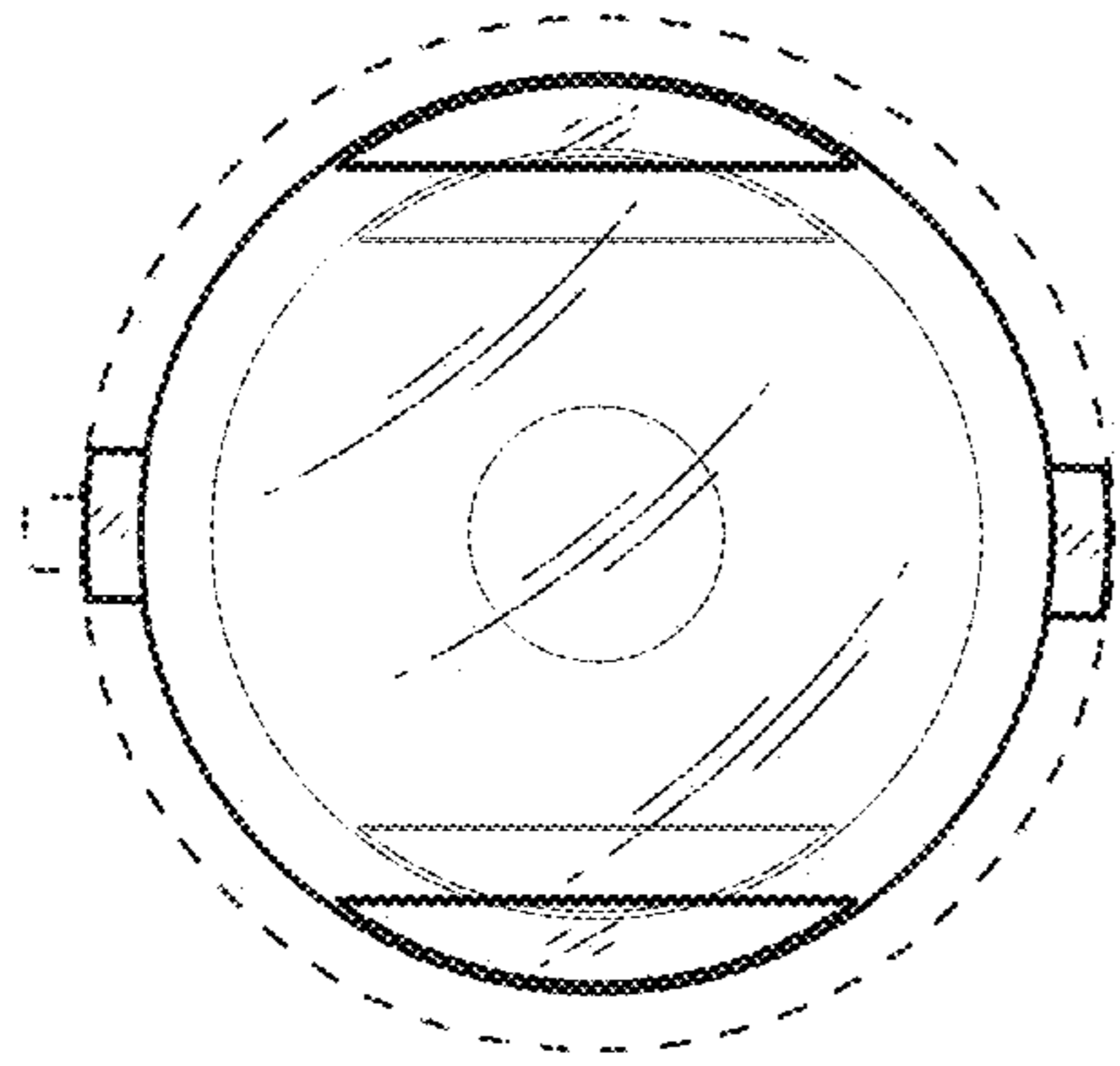


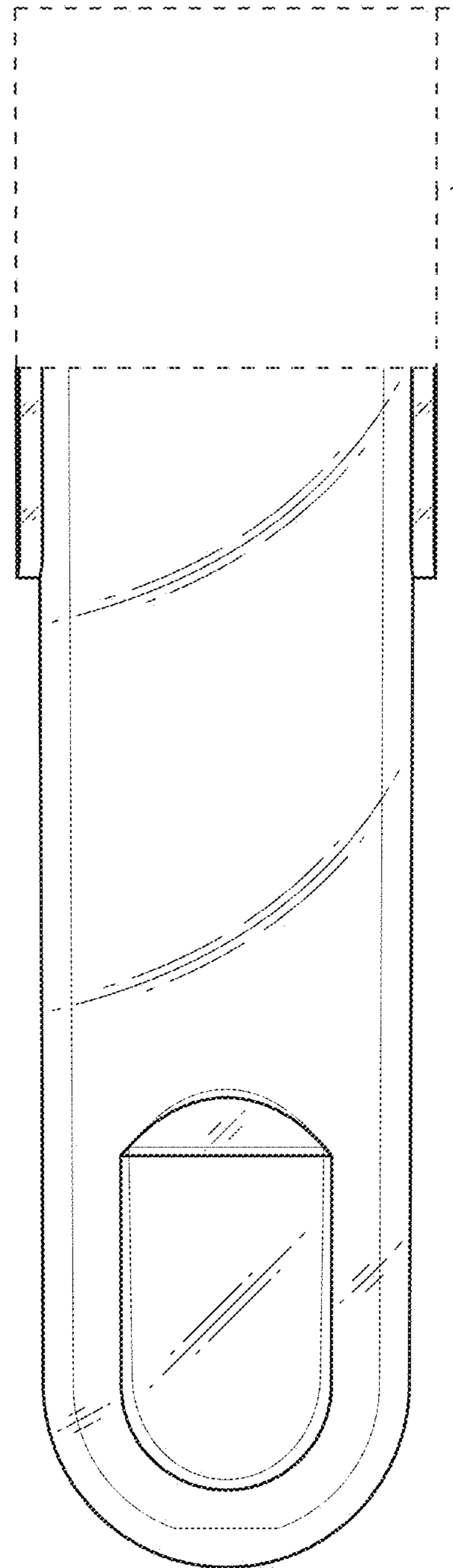
FIG. 4



*FIG. 5*



*FIG. 6*



*FIG. 7*

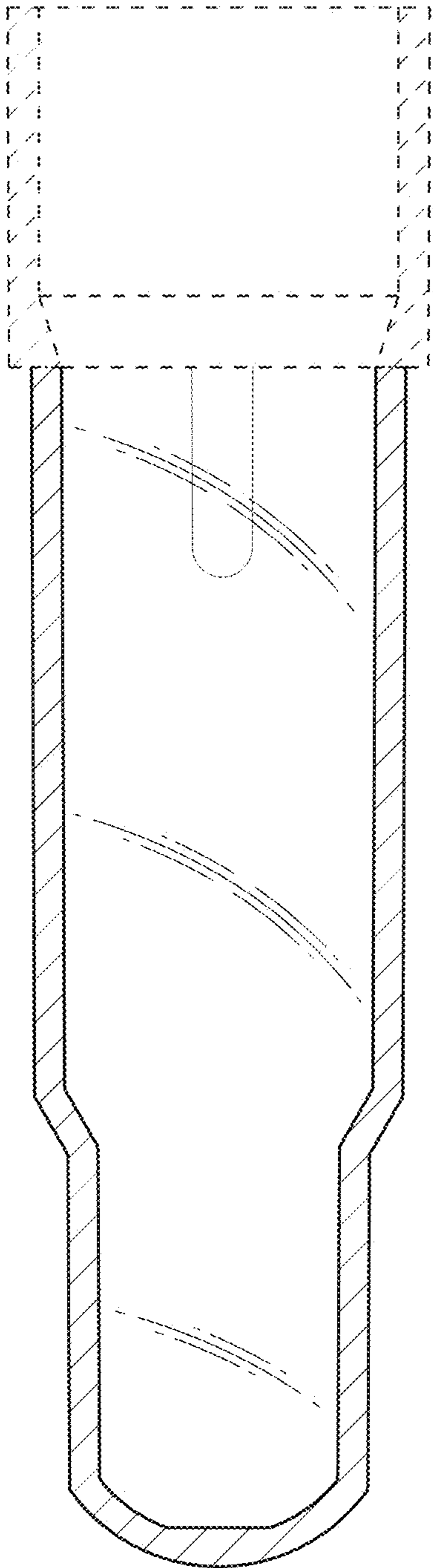


FIG. 8

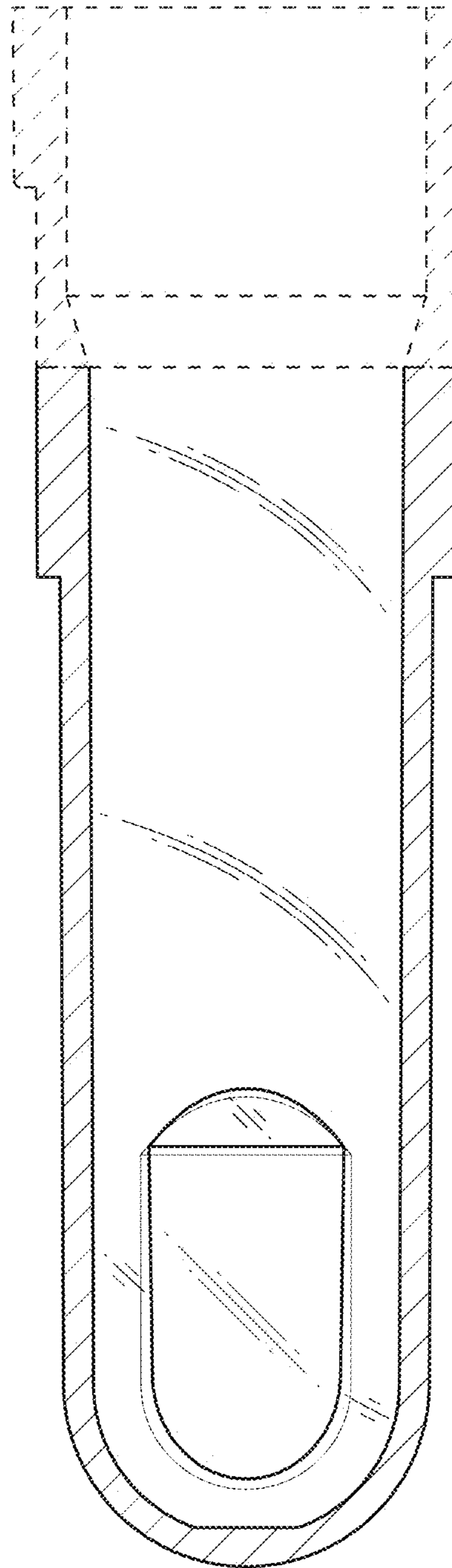


FIG. 9