



US00D953564S

(12) **United States Design Patent**
Kim

(10) **Patent No.:** **US D953,564 S**

(45) **Date of Patent:** **** May 31, 2022**

(54) **FRONT FACE OF A CONTROL PANEL FOR AN ULTRASONIC CLEANER**

(71) Applicant: **SD-ULTRASONIC CO., LTD**, Seoul (KR)

(72) Inventor: **Donggyoun Kim**, Gyeonggi-do (KR)

(73) Assignee: **SD-ULTRASONIC CO., LTD**, Seoul (KR)

(**) Term: **15 Years**

(21) Appl. No.: **29/748,416**

(22) Filed: **Aug. 28, 2020**

(30) **Foreign Application Priority Data**

May 27, 2020 (KR) 30-2020-0023441

(51) **LOC (13) Cl.** **24-01**

(52) **U.S. Cl.**
USPC **D24/217**

(58) **Field of Classification Search**
USPC D24/107, 186, 200, 209–213, 217–219,
D24/224–232; D32/1, 25; D23/366;
D26/1–4

CPC ... A61L 2/26; A61L 2/10; A61L 2/025; A61L
2202/10; A61L 2202/11; A61L 2202/23;
A61L 2202/122

See application file for complete search history.

(56) **References Cited**

U.S. PATENT DOCUMENTS

D404,140 S * 1/1999 Meguro D24/232
D599,817 S * 9/2009 Mays D14/493
D645,570 S * 9/2011 Oonuma D24/232

D681,232 S * 4/2013 Benarieh D24/232
D716,963 S * 11/2014 Yosef D24/215
D741,497 S * 10/2015 Aber D24/186
D758,607 S * 6/2016 Chen D24/215
D789,534 S * 6/2017 Bastia D24/138
D889,682 S * 7/2020 Maw D24/217
D899,622 S * 10/2020 Maw D24/217
D902,435 S * 11/2020 Dutra D24/232
D904,622 S * 12/2020 Kuester D24/186
D918,397 S * 5/2021 Augustyn D24/186

OTHER PUBLICATIONS

Best Built Digital 1.2QT Ultrasonic Cleaner D-100, posted at uptowntools.com, captured on wayback machine Nov. 28, 2020, retrieved Dec. 16, 2021, online, URL: <https://web.archive.org/web/20201128023903/https://www.uptowntools.com/products/best-built-digital-1-2qt-ultrasonic-cleaner> (Year: 2020).*

* cited by examiner

Primary Examiner — Lilyana Bekic

Assistant Examiner — Mary Shannon Malley

(74) *Attorney, Agent, or Firm* — Bachman & LaPointe, P.C.

(57) **CLAIM**

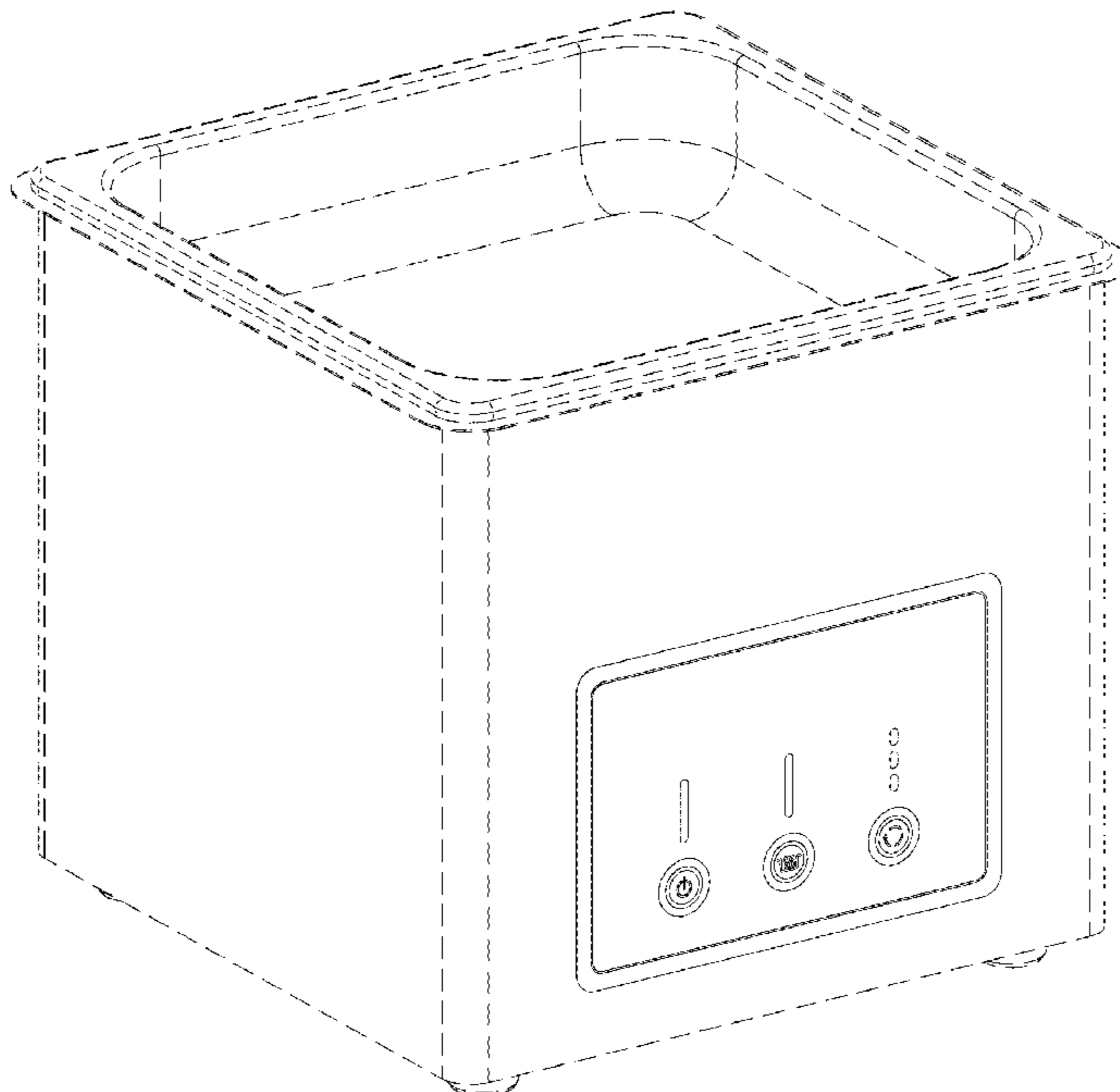
The ornamental design for a front face of a control panel for an ultrasonic cleaner, as shown and described.

DESCRIPTION

FIG. 1 is a perspective view of a front face of a control panel for an ultrasonic cleaner; and, FIG. 2 is a front view thereof.

The broken lines illustrating an ultrasonic cleaner depict environmental subject matter that forms no part of the claimed design.

1 Claim, 2 Drawing Sheets



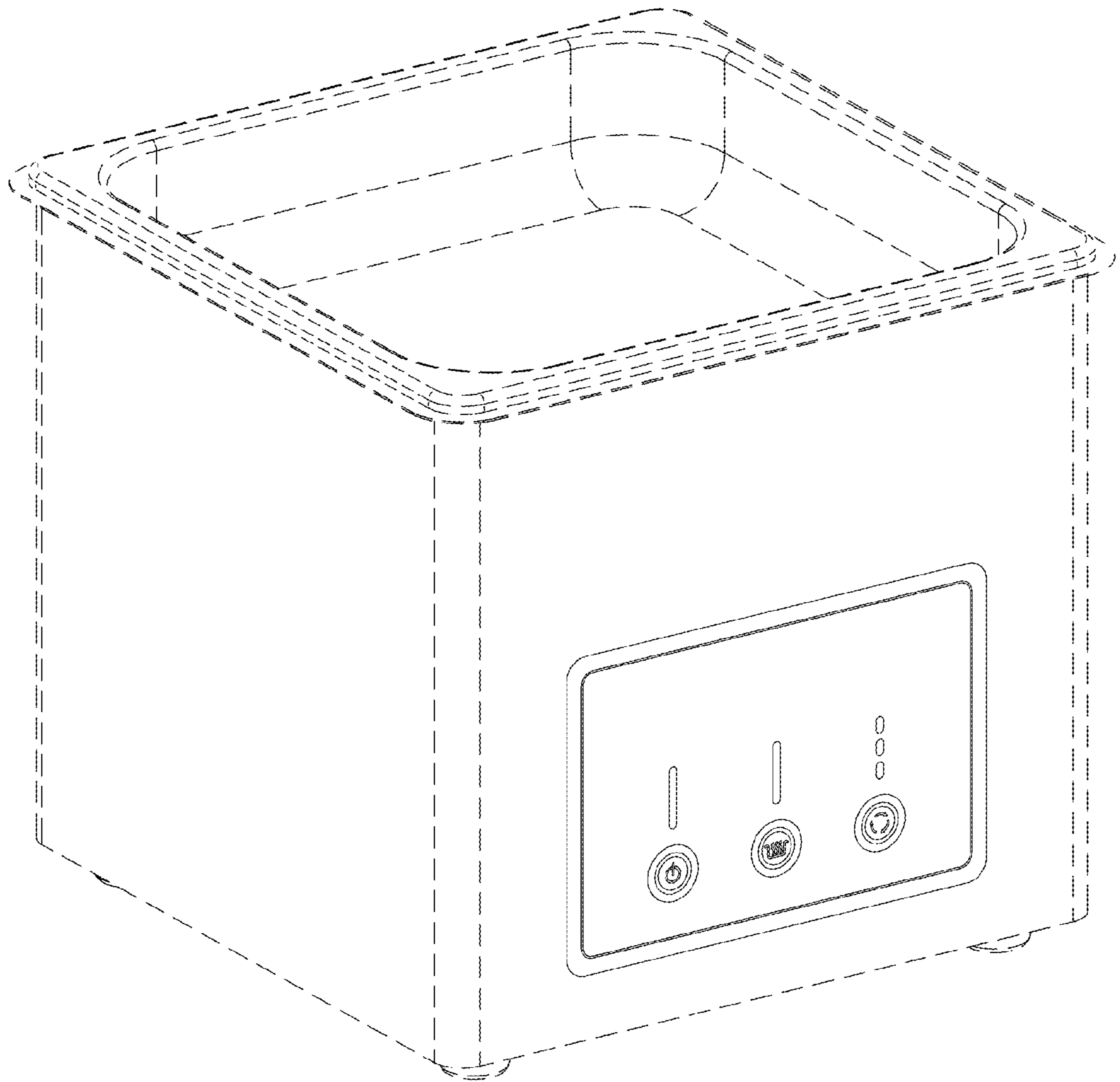


FIG. 1

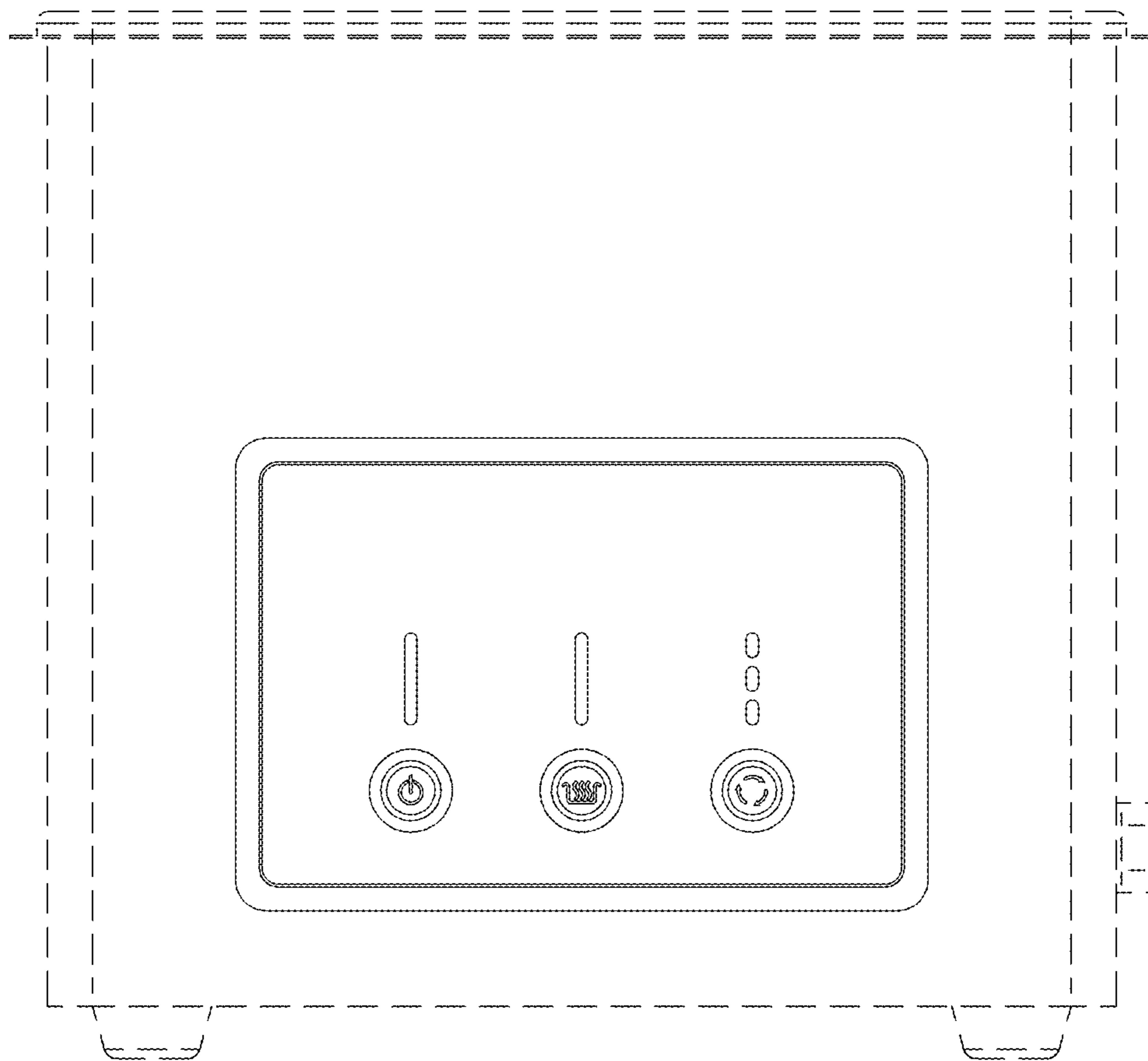


FIG. 2