



US00D953563S

(12) **United States Design Patent** (10) **Patent No.:** **US D953,563 S**
Mataki et al. (45) **Date of Patent:** **** May 31, 2022**

(54) **ANALYSIS EQUIPMENT FOR MEDICAL USE**
(71) Applicant: **Nippon Chemiphar Co., Ltd.**, Tokyo (JP)
(72) Inventors: **Takahiro Mataki**, Tokyo (JP); **Yumi Konishi**, Misato (JP); **Takuji Kambe**, Misato (JP); **Motoe Shimizu**, Ueda (JP)
(73) Assignee: **Nippon Chemiphar Co., Ltd.**, Tokyo (JP)

D399,960 S * 10/1998 Prokop D24/169
D638,545 S * 5/2011 Okawa D24/186
D640,581 S * 6/2011 Sato D10/81
D675,742 S * 2/2013 Fienieg D24/186
D678,530 S * 3/2013 Khan D24/186
D682,432 S * 5/2013 Khan D24/186
D682,441 S * 5/2013 Kim D24/216
D693,477 S * 11/2013 Isozaki D24/216
D693,928 S * 11/2013 Chung D24/169
D694,888 S * 12/2013 Chung D24/169
D724,740 S * 3/2015 Collins D24/169

(Continued)

(**) Term: **15 Years**

(21) Appl. No.: **35/509,856**

(22) Filed: **Jan. 22, 2020**

(80) **Hague Agreement Data**

Int. Filing Date: **Jan. 22, 2020**
Int. Reg. No.: **DM/207421**
Int. Reg. Date: **Jan. 22, 2020**
Int. Reg. Pub. Date: **Jul. 24, 2020**

(30) **Foreign Application Priority Data**

Aug. 1, 2019 (JP) 2019-017230

(51) **LOC (13) Cl.** **24-01**

(52) **U.S. Cl.**
USPC **D24/216**; D24/169; D24/186; D24/232;
D10/81

(58) **Field of Classification Search**

USPC D24/186-189, 216, 159, 160, 177,
D24/183-185, 232-234, 169; D10/81
CPC G01N 2035/00306; G01N 2035/00326;
G01N 2035/00336; G01N 2030/027;
G01N 35/1085; G01N 2021/6432; C12Q
1/6869; C12Q 1/6806
See application file for complete search history.

(56) **References Cited**

U.S. PATENT DOCUMENTS

D240,559 S * 7/1976 Kawaguchi D24/169
D381,749 S * 7/1997 Lawrence D24/169

OTHER PUBLICATIONS

Chemiphar. DP3000 : Device for Allergen-specific IgE measurement. No date specified, <https://www.chemiphar.co.jp/english/company/business/clinical/diapack3000.html> (Year: 0).*

(Continued)

Primary Examiner — Darcey E Gottschalk

(74) *Attorney, Agent, or Firm* — Sughrue Mion, PLLC

(57) **CLAIM**

The ornamental design for an analysis equipment for medical use, as shown and described.

DESCRIPTION

1. Analysis equipment for medical use

1.1: Front

1.2 : Back

1.3 : Top

1.4 : Bottom

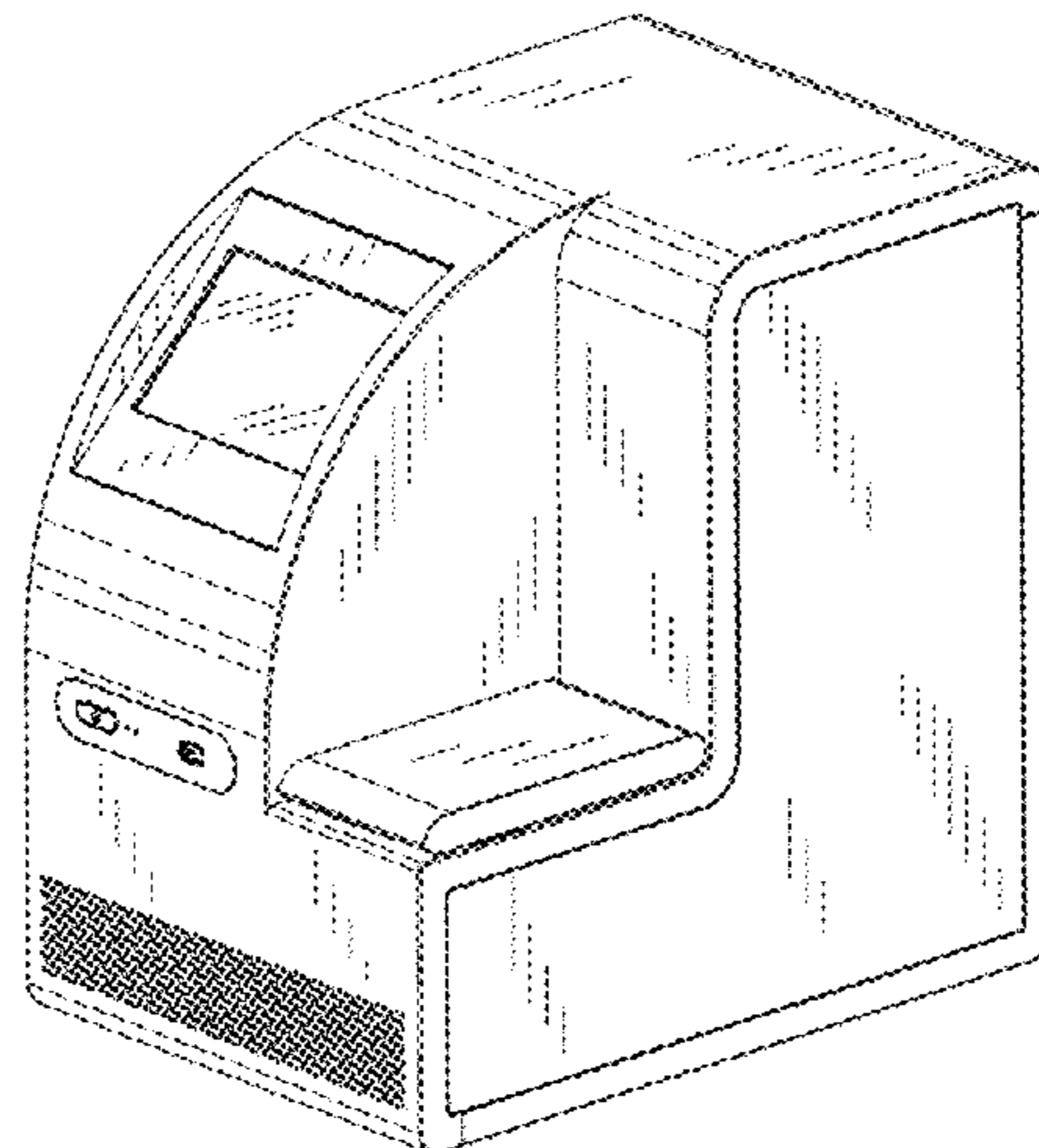
1.5 : Right

1.6 : Left

1.7 : Perspective

The broken lines depict portions of the analysis equipment for medical use that form no part of the claim.

1 Claim, 4 Drawing Sheets



(56)

References Cited

U.S. PATENT DOCUMENTS

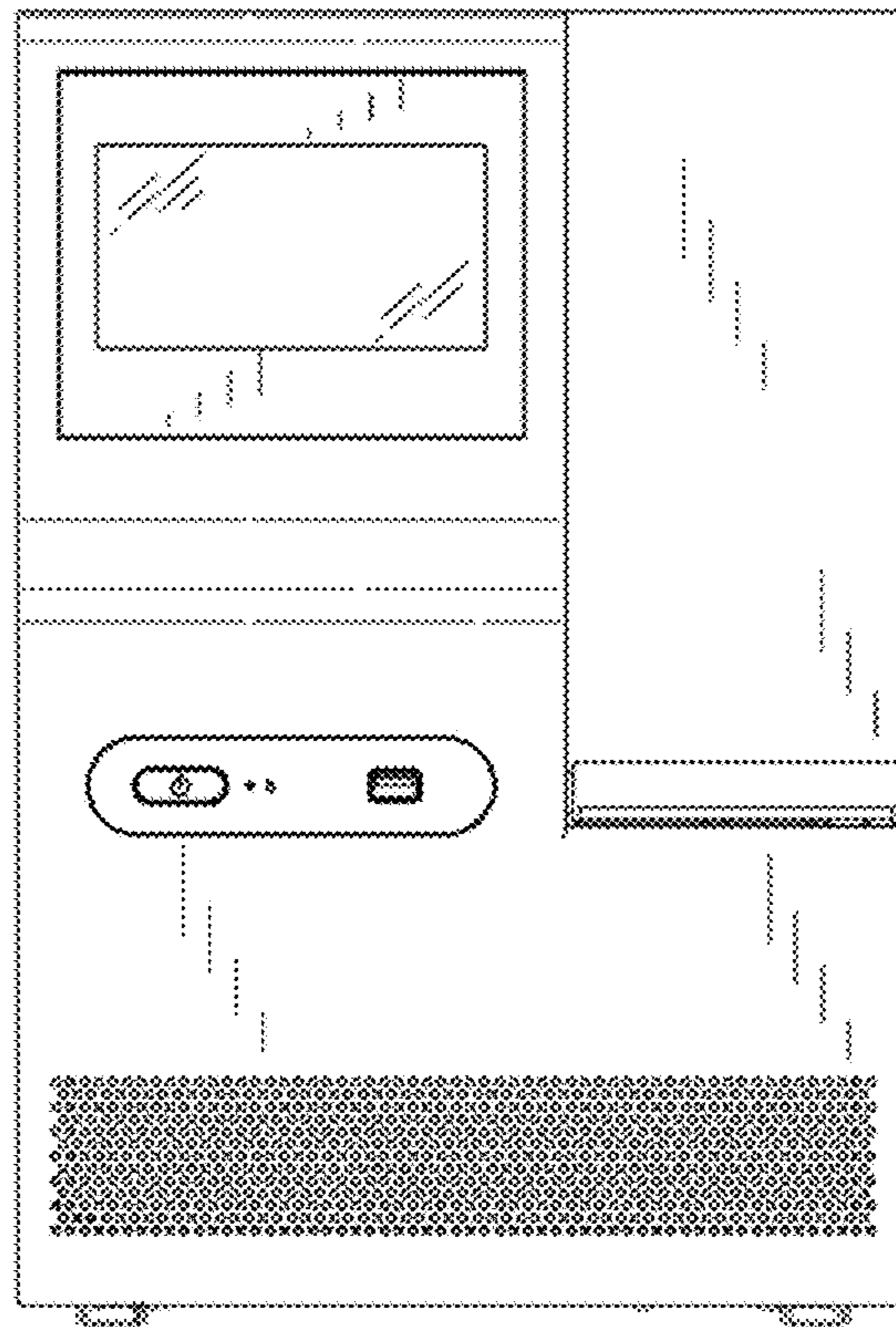
D762,860	S	*	8/2016	He	D24/186
D774,205	S	*	12/2016	Grace	D24/216
D794,211	S	*	8/2017	Ang	D24/232
D800,320	S	*	10/2017	Nishikawa	D24/186
D812,230	S	*	3/2018	Silvonen	D24/177
D822,214	S	*	7/2018	Iles	D24/186
D852,661	S	*	7/2019	Park	D10/81
D854,703	S	*	7/2019	Juhlin	D24/216
D869,310	S	*	12/2019	Nagasawa	D10/81
D904,622	S	*	12/2020	Kuester	D24/186
D907,211	S	*	1/2021	Spurling	D24/169
D915,914	S	*	4/2021	Kojima	D10/81
D920,813	S	*	6/2021	Zhan	D10/46
D921,497	S	*	6/2021	Zhan	D10/46
D937,433	S	*	11/2021	Sugie	D24/216
D941,491	S	*	1/2022	Klein	D24/232

OTHER PUBLICATIONS

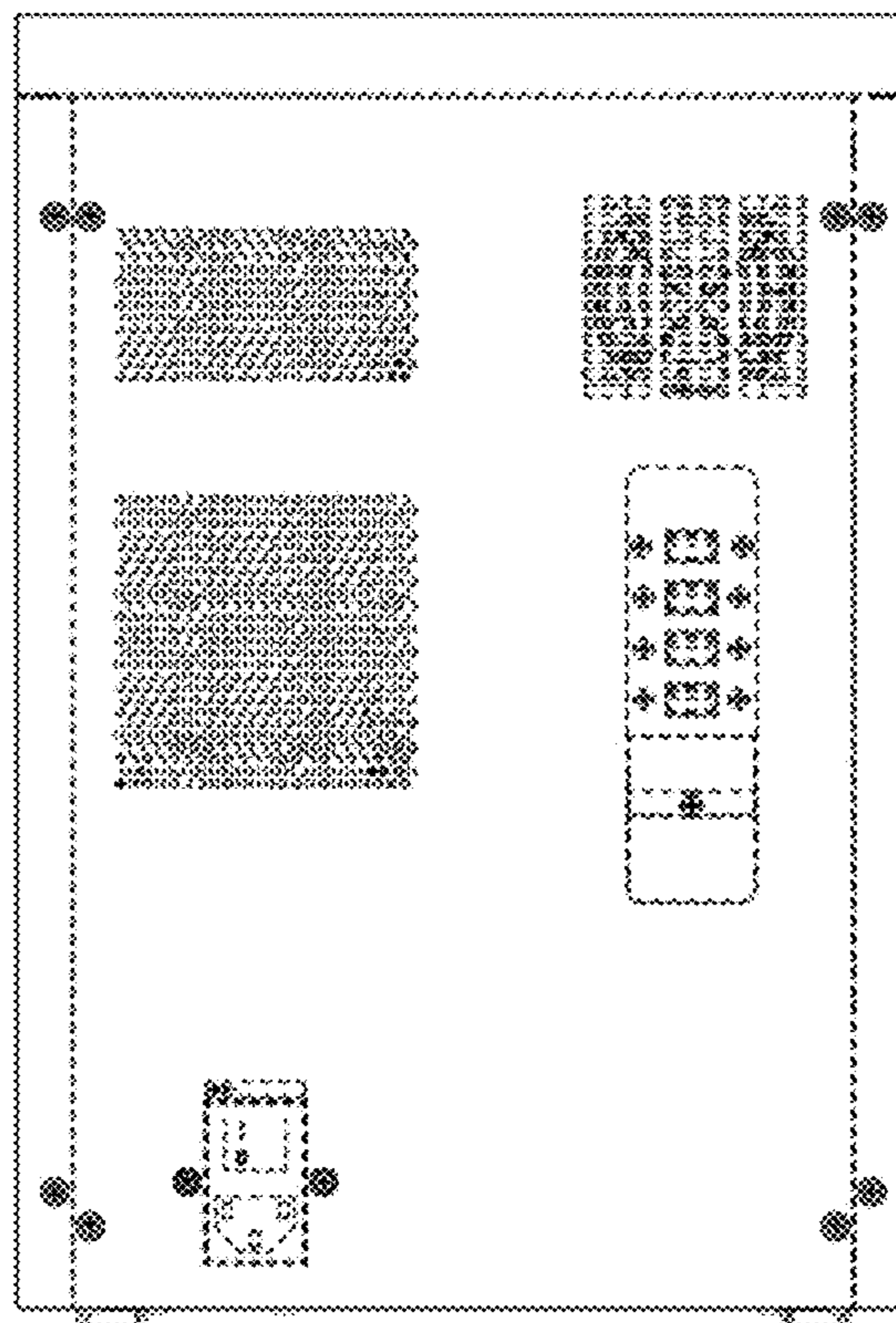
Chemiphar. Slide 17—Diagnostics 1: New Product. 2019. https://www.chemiphar.co.jp/english/business_results/20191112e.pdf (Year: 2019).*

* cited by examiner

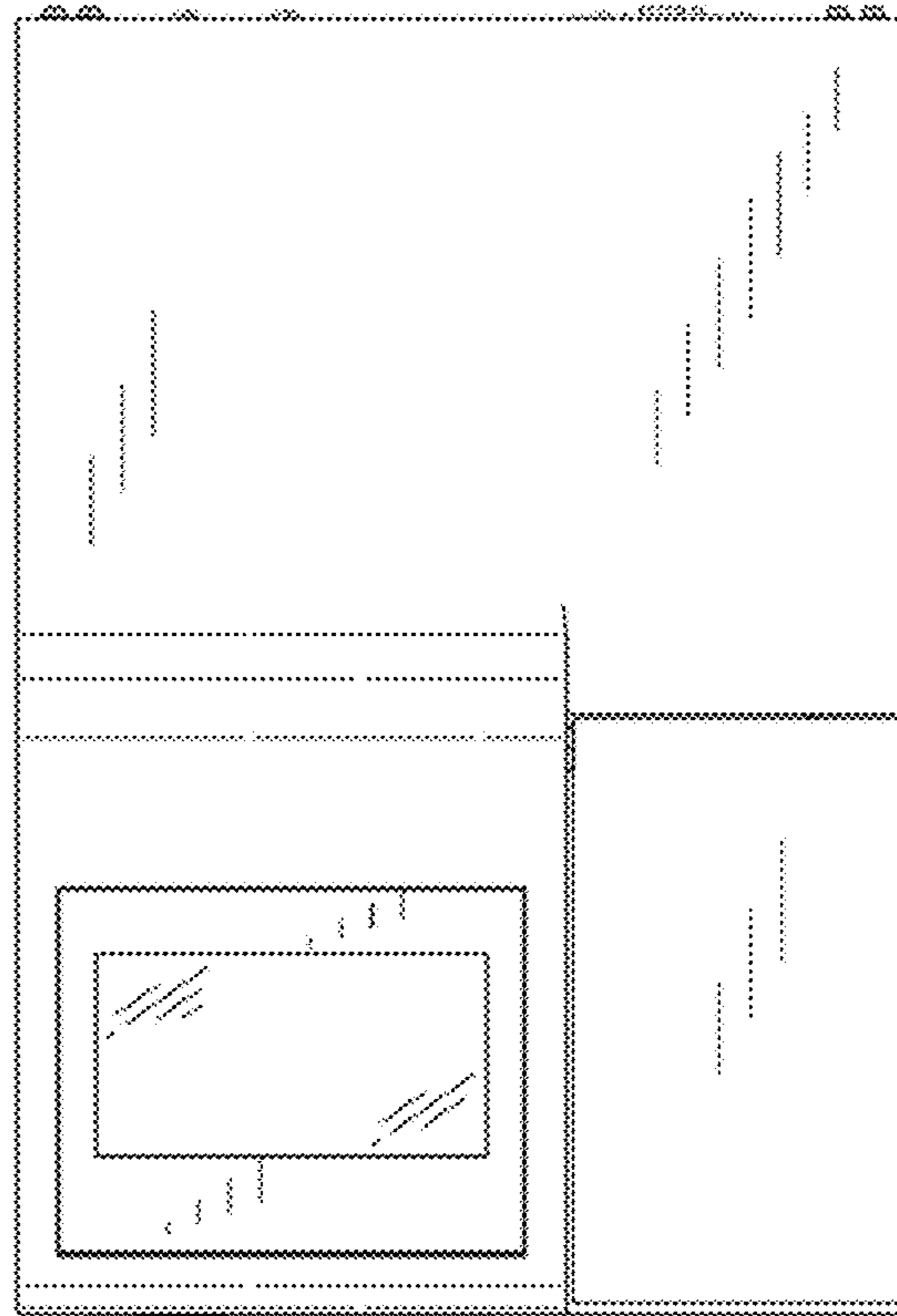
1.1



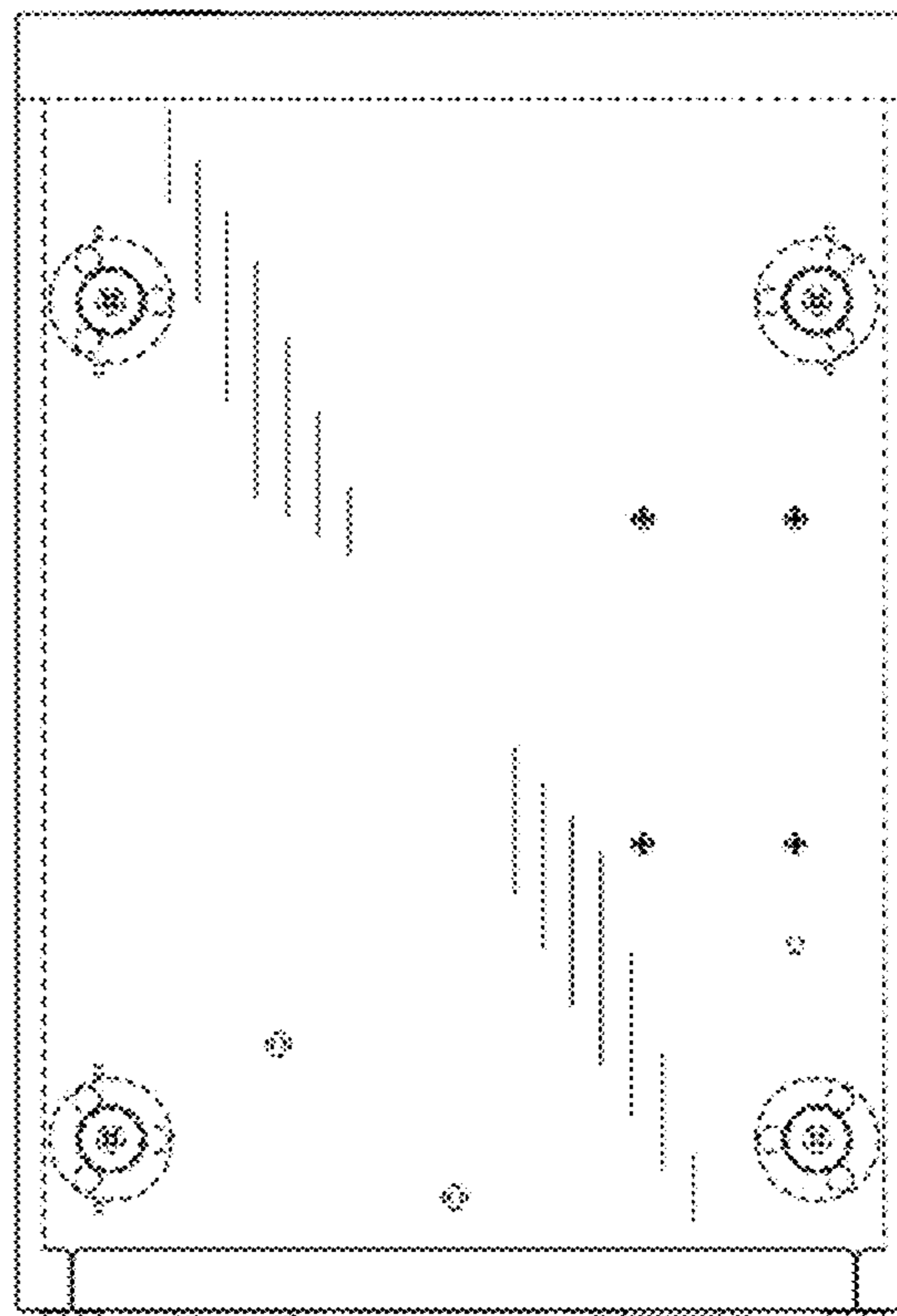
1.2



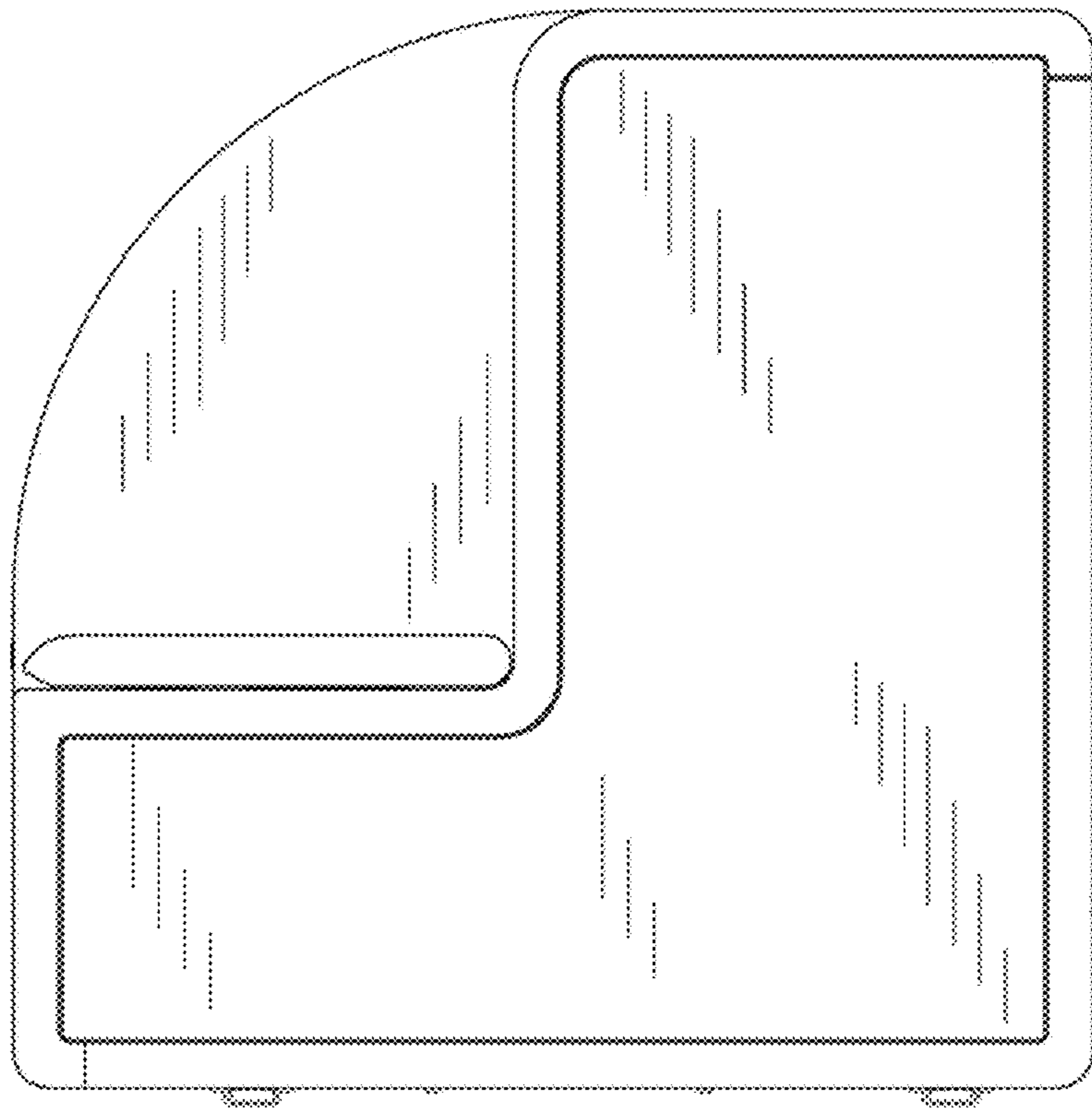
1.3



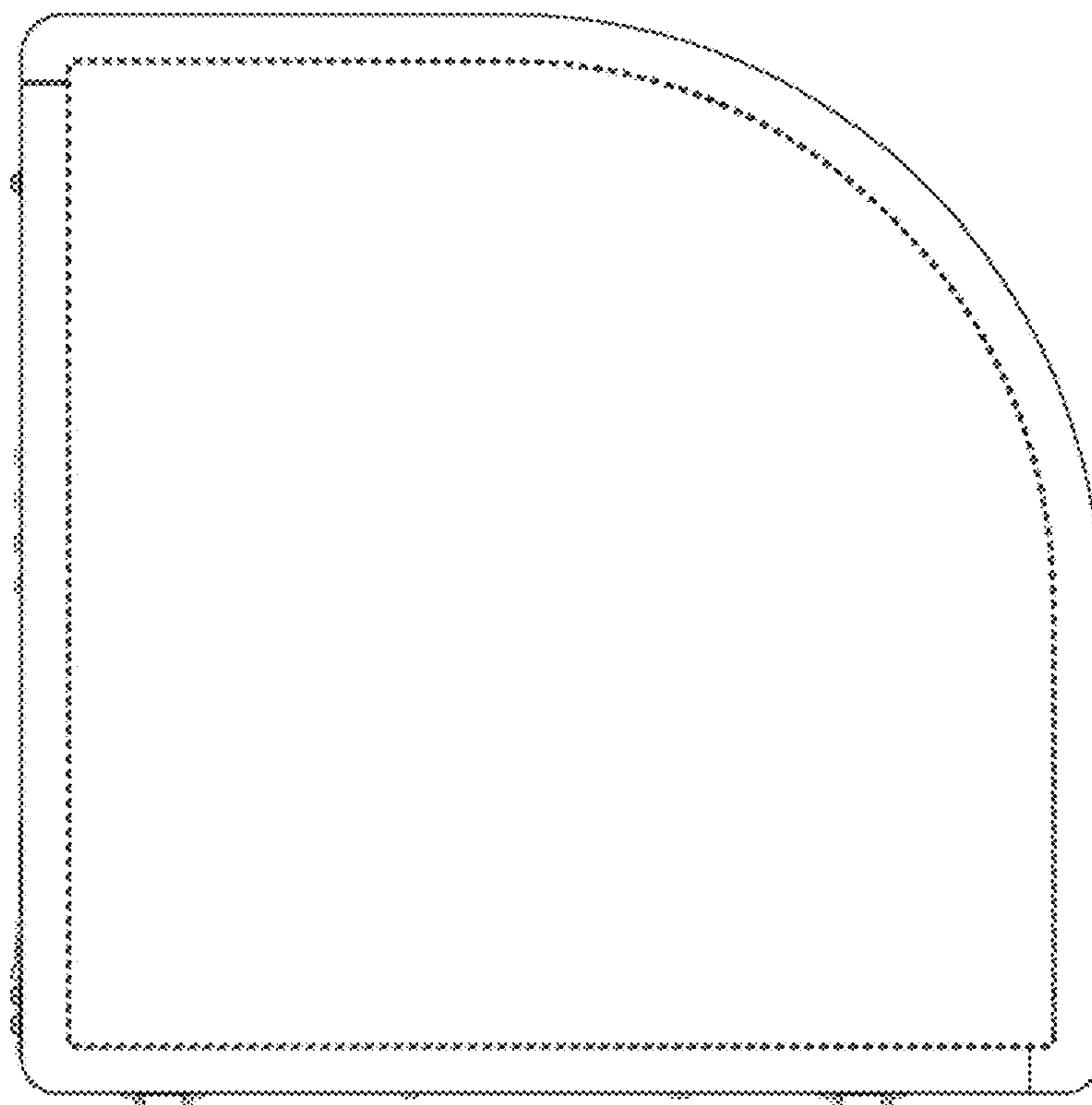
1.4



1.5



1.6



1.7

