



US00D953559S

(12) **United States Design Patent**
He

(10) **Patent No.:** **US D953,559 S**

(45) **Date of Patent:** **** May 31, 2022**

(54) **FASCIA GUN**

(71) Applicants: **HDT(SZ) CO., LTD**, Shenzhen (CN);
Fanghua He, Shenzhen (CN)

(72) Inventor: **Fanghua He**, Shenzhen (CN)

(**) Term: **15 Years**

(21) Appl. No.: **29/764,323**

(22) Filed: **Dec. 29, 2020**

(51) **LOC (13) Cl.** **28-03**

(52) **U.S. Cl.**
USPC **D24/215**

(58) **Field of Classification Search**
USPC D24/200, 211, 212, 213, 214, 215;
D8/14.1; D28/13
CPC . A61H 2201/1635; A61H 1/008; A61H 15/02
See application file for complete search history.

(56) **References Cited**

U.S. PATENT DOCUMENTS

D918,411 S *	5/2021	Xu	D24/215
D920,531 S *	5/2021	Xu	D24/215
10,993,874 B1 *	5/2021	Marton	A61H 23/006
D924,424 S *	7/2021	Wang	D24/215
D925,751 S *	7/2021	Wu	D24/211
D925,758 S *	7/2021	Xu	D24/215
D932,045 S *	9/2021	Shen	D24/215

OTHER PUBLICATIONS

Youtube, "Best Massage Gun", Sep. 3, 2021. https://www.youtube.com/watch?v=YpgEn8O_CEQ. Shown at 0:01 second mark. (Year: 2021).*

Ubuy, "Mini Massage Gun", Date First Available Mar. 31, 2021. <https://www.ubuy.hu/en/product/2MHDLJI-mini-massage-gun-ahq-percussion-massager-gun-for-athletes-deep-tissue-massage-device-muscle-massager>. (Year: 2021).*

Amazon, "AHQ Mini Massage Gun", Mar. 13, 2021. https://www.amazon.com/AHQ-Percussion-Professional-High-Intensity-Rechargeable/dp/B08T6YTDDD/ref=cm_cr_arp_d_product_top?ie=UTF8. Shown on p. 1. (Year: 2021).*

* cited by examiner

Primary Examiner — Michael A Maharajh

(57) **CLAIM**

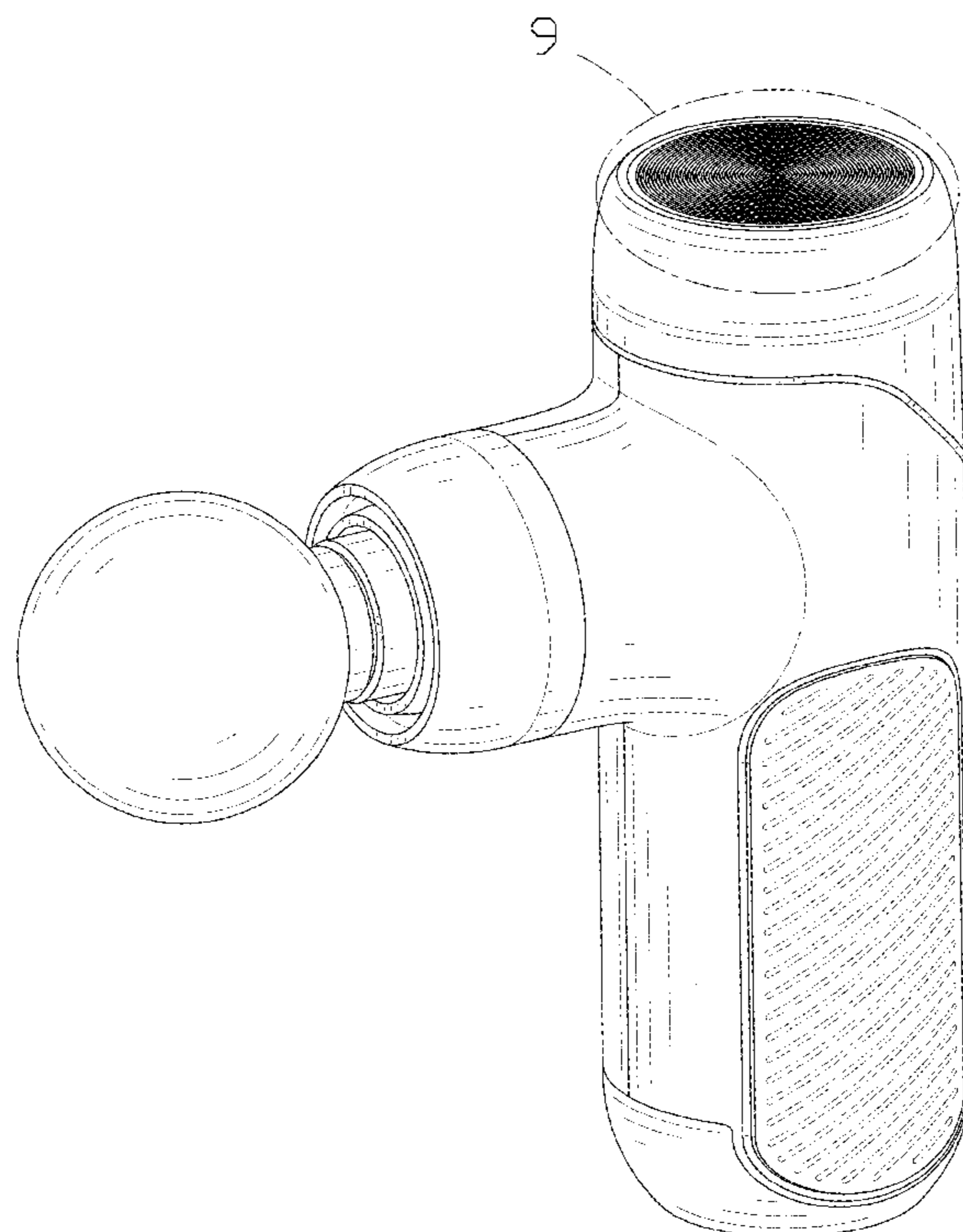
The ornamental design for a fascia gun, as shown and described.

DESCRIPTION

FIG. 1 is a front and top perspective view of a fascia gun, showing new design;
FIG. 2 is a rear and bottom perspective view thereof;
FIG. 3 is a front elevation view thereof;
FIG. 4 is a rear elevation view thereof;
FIG. 5 is a left side elevation view thereof;
FIG. 6 is a right side elevation view thereof;
FIG. 7 is a top plan view thereof;
FIG. 8 is a bottom plan view thereof; and,
FIG. 9 is an enlarged view of a portion indicated with numeric 9 in FIG. 1.

The dashed broken lines in the figures illustrate portions of the article that form no part of the claimed design. The dash dot dash lines in FIGS. 1 and 9 are for the purpose of depicting the cut line of the enlarged view and form no part of the claim.

1 Claim, 9 Drawing Sheets



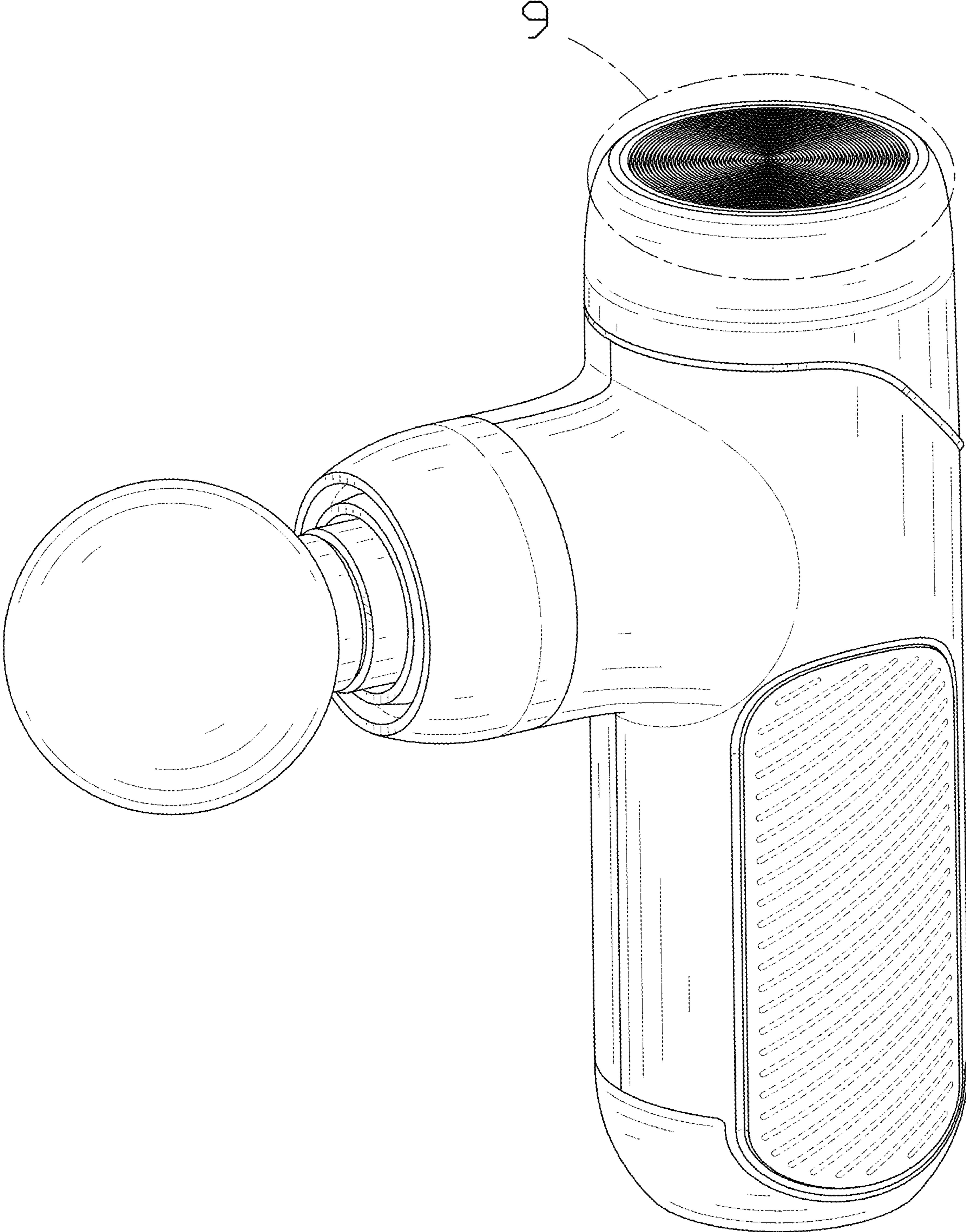


FIG. 1

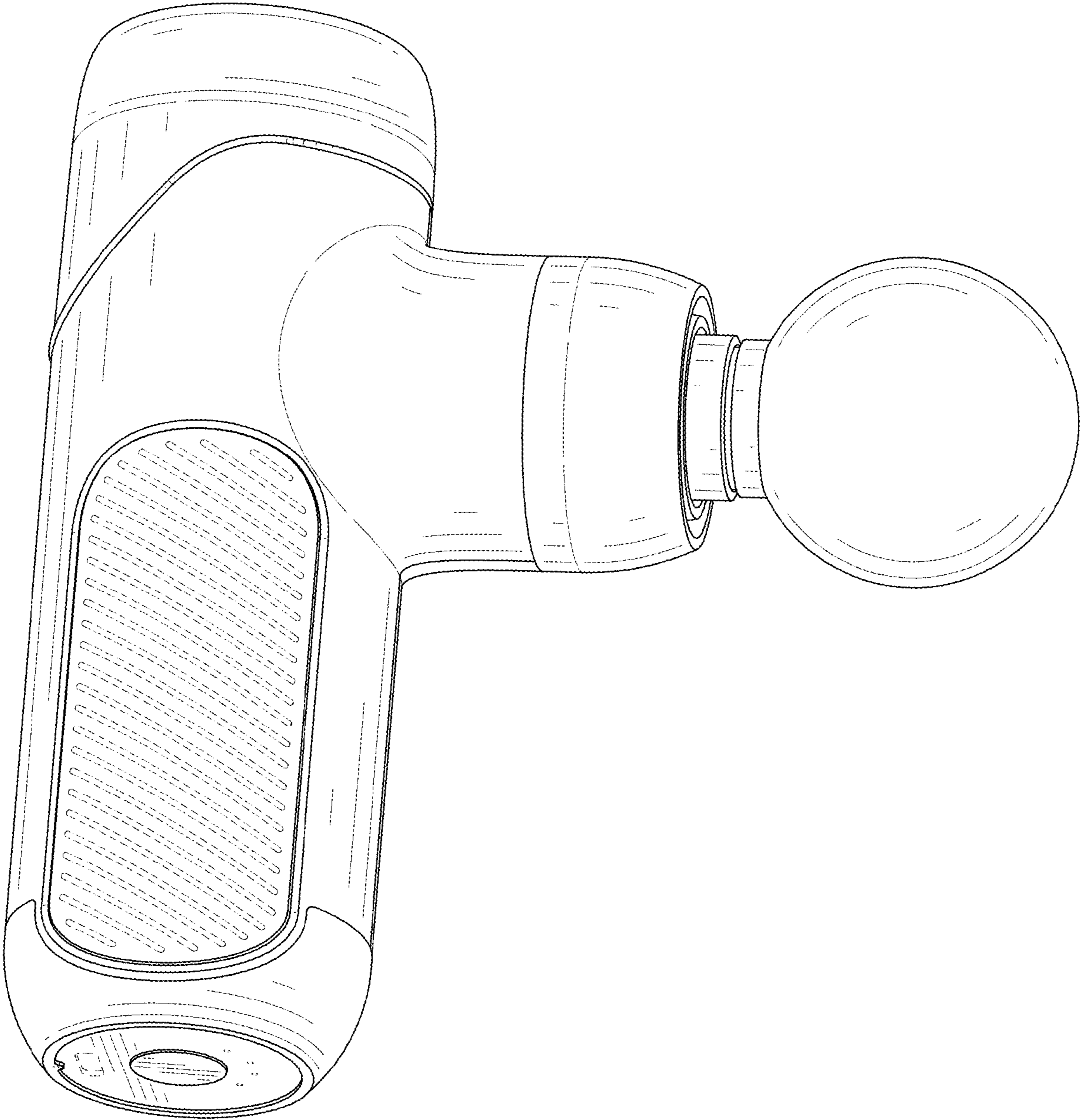


FIG. 2

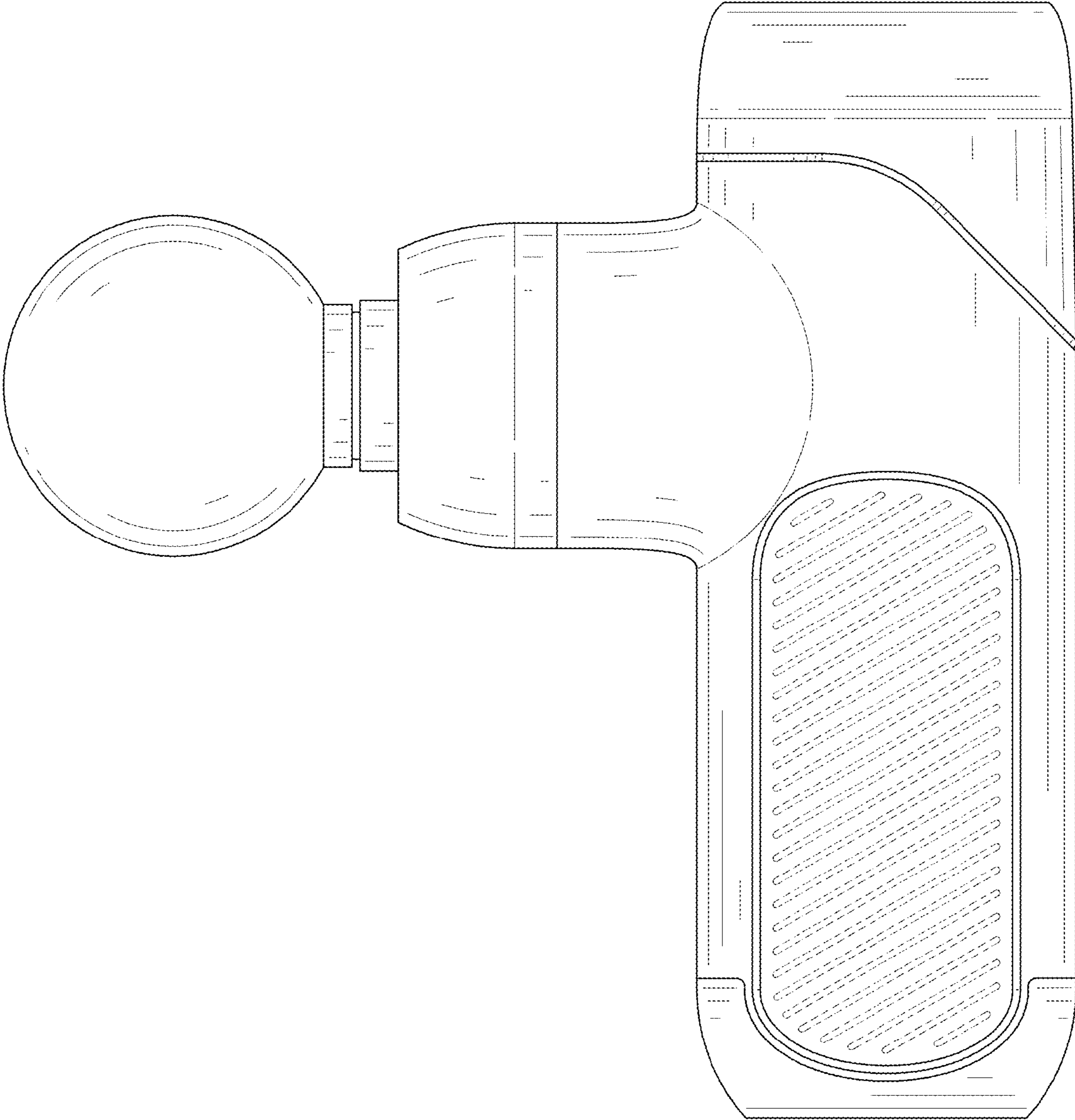


FIG. 3

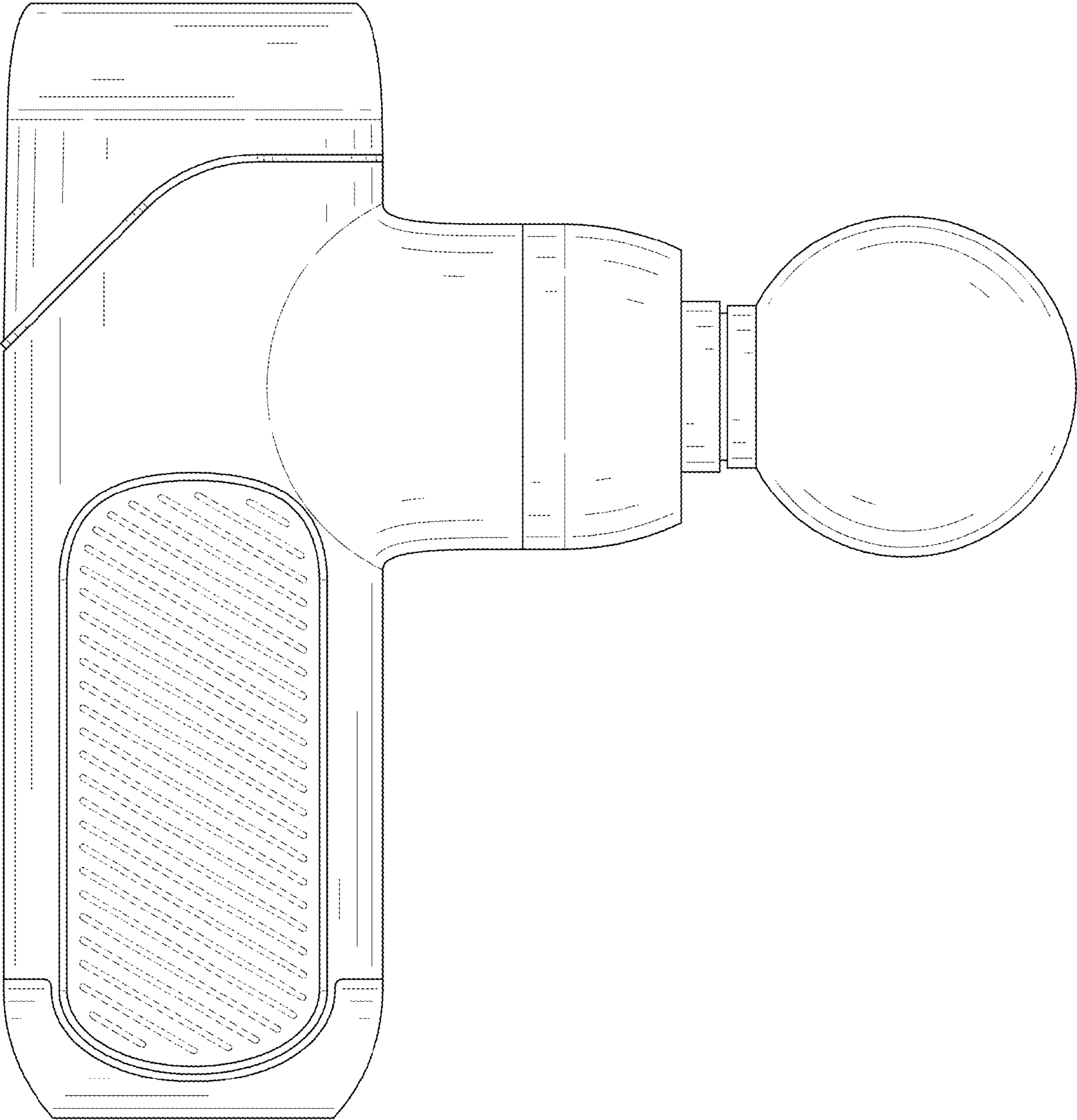


FIG. 4

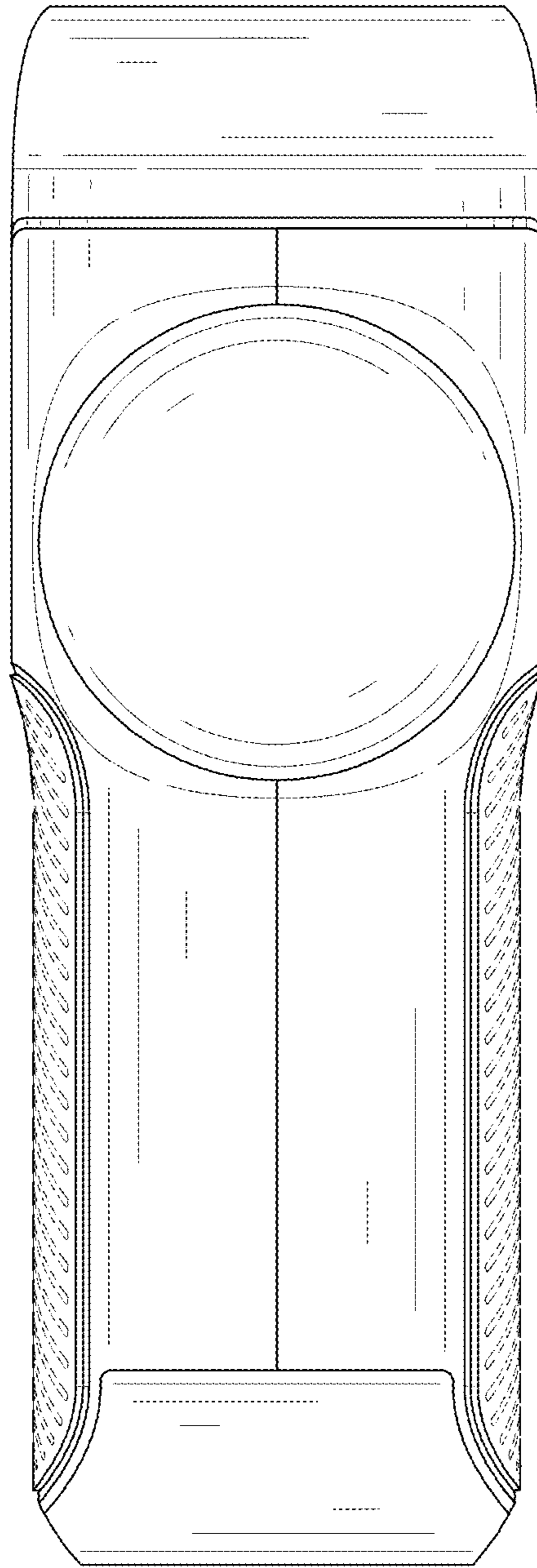


FIG. 5

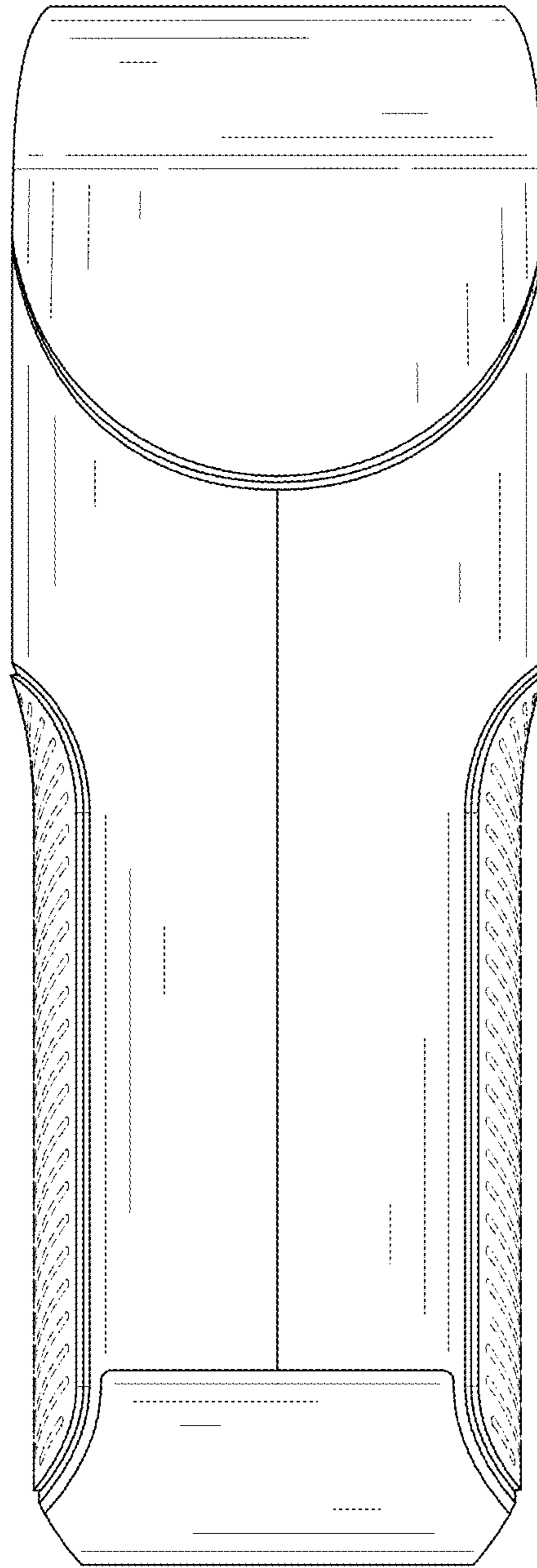


FIG. 6

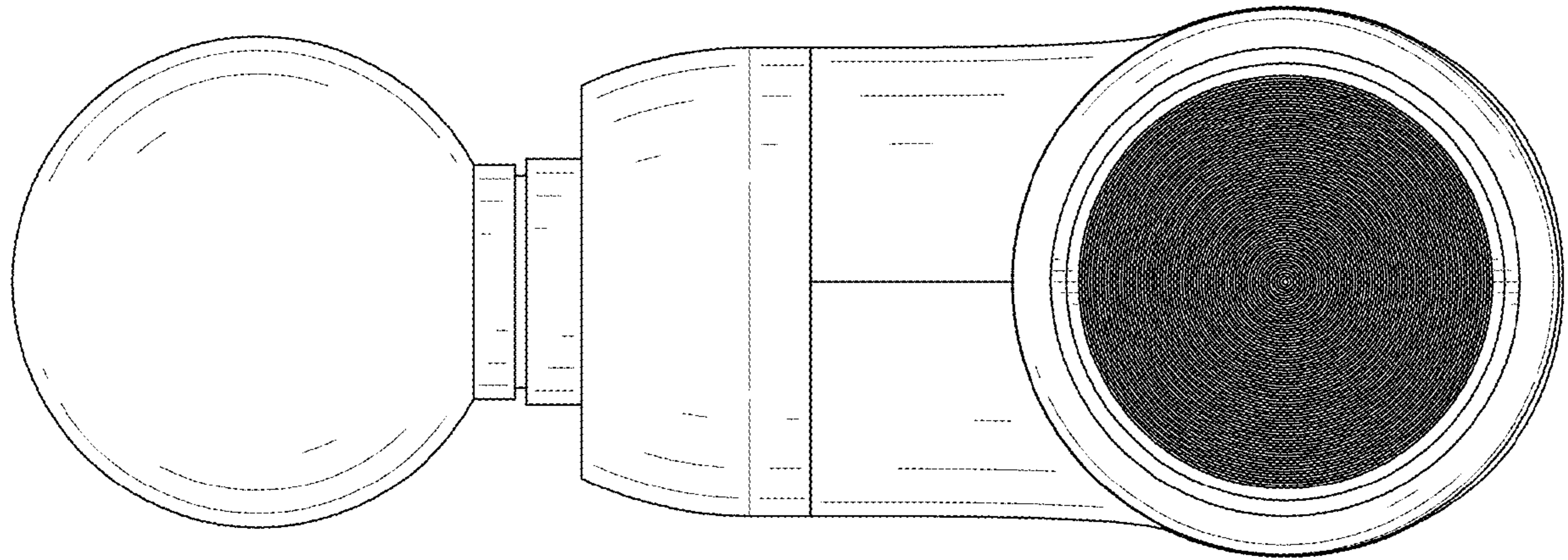


FIG. 7

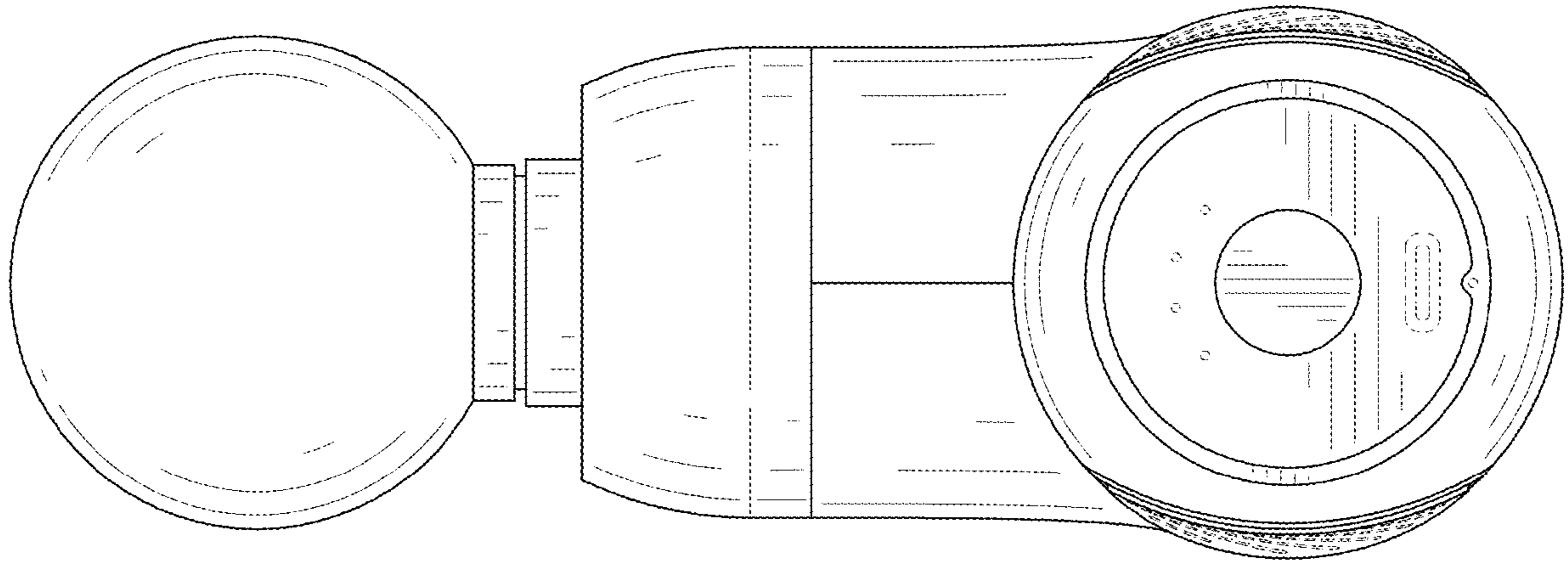


FIG. 8

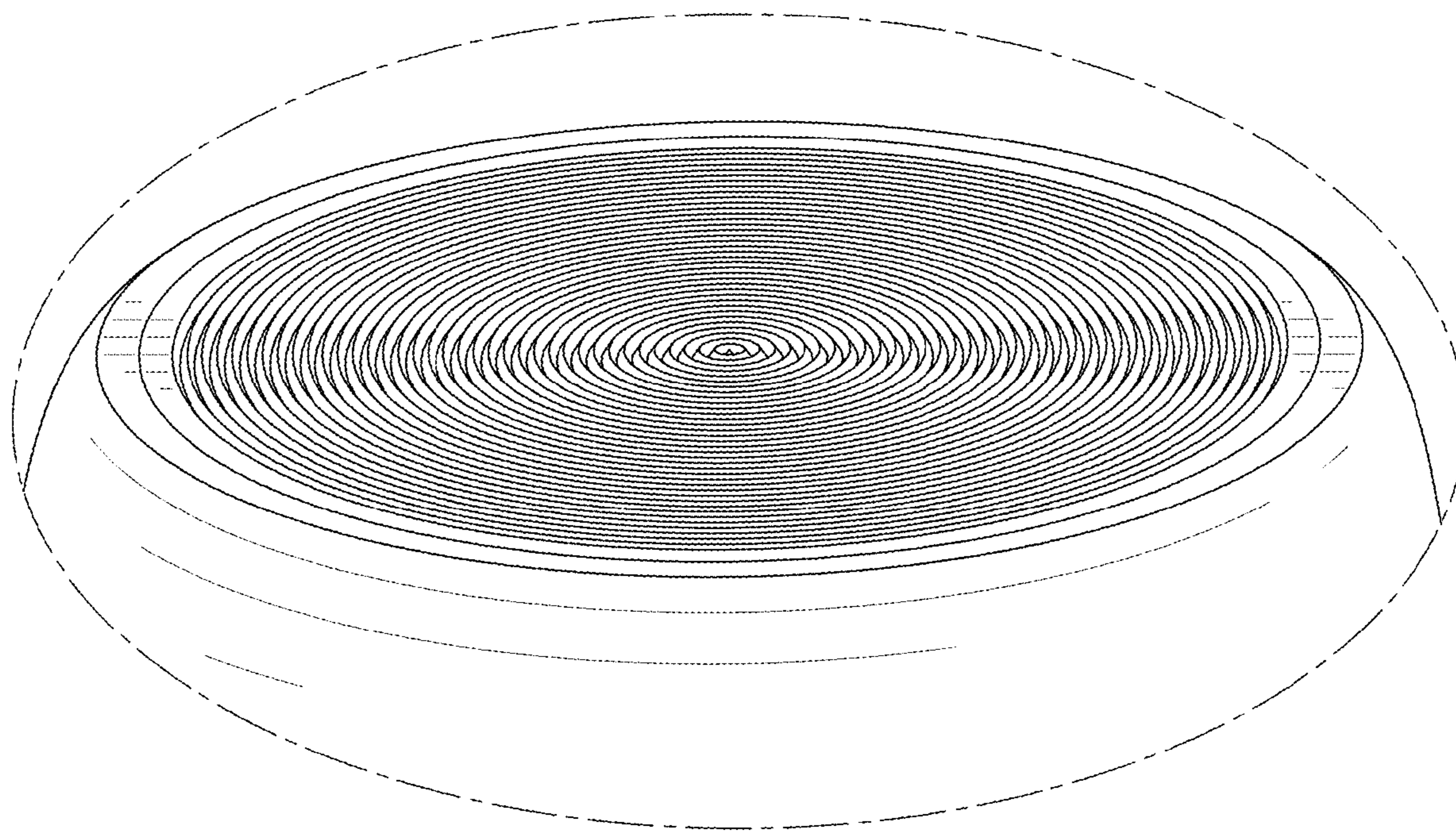


FIG. 9