



US00D953557S

(12) **United States Design Patent** (10) **Patent No.:** **US D953,557 S**
Wu (45) **Date of Patent:** **** May 31, 2022**

- (54) **PERCUSSIVE MASSAGE DEVICE**
- (71) Applicant: **Shenzhen Goodrone Intelligent Technology Co., Ltd**, Shenzhen (CN)
- (72) Inventor: **Yong Wu**, Guangdong (CN)
- (73) Assignee: **SHENZHEN GOODRONE INTELLIGENT TECHNOLOGY CO., LTD.**, Shenzhen (CN)
- (**) Term: **15 Years**
- (21) Appl. No.: **29/745,792**
- (22) Filed: **Aug. 10, 2020**
- (51) **LOC (13) Cl.** **28-03**
- (52) **U.S. Cl.**
USPC **D24/215**
- (58) **Field of Classification Search**
USPC D24/200, 211, 212, 213, 214, 215;
D8/14.1; D28/13
CPC A61H 1/008; A61H 15/02; A61H
2201/1635; A61H 23/006; A61H 23/0263;
A61H 15/00; A61H 1/006
See application file for complete search history.

(56) **References Cited**

U.S. PATENT DOCUMENTS

D478,385 S *	8/2003	Dirks	D24/215
D847,364 S *	4/2019	Lee	D24/215
D866,790 S *	11/2019	Lee	D24/215
D918,411 S *	5/2021	Xu	D24/215
D920,531 S *	5/2021	Xu	D24/215
D920,532 S *	5/2021	Xu	D24/215
10,993,874 B1 *	5/2021	Marton	A61H 23/02
D924,424 S *	7/2021	Wang	D24/215
D925,751 S *	7/2021	Wu	D24/211
D925,758 S *	7/2021	Xu	D24/215
D928,339 S *	8/2021	Yang	D24/215

D932,038 S *	9/2021	Park	D24/211
D932,045 S *	9/2021	Shen	D24/215
2020/0085675 A1 *	3/2020	Lee	A61H 15/0085
2020/0214930 A1 *	7/2020	Wersland	A61H 23/006
2020/0405574 A1 *	12/2020	Wersland	A61H 1/008
2021/0022955 A1 *	1/2021	Wersland	A61H 1/006
2021/0059898 A1 *	3/2021	Wersland	A61H 15/00

* cited by examiner

Primary Examiner — Cynthia Ramirez

Assistant Examiner — Michael A Maharajh

(74) *Attorney, Agent, or Firm* — Andrew C. Cheng

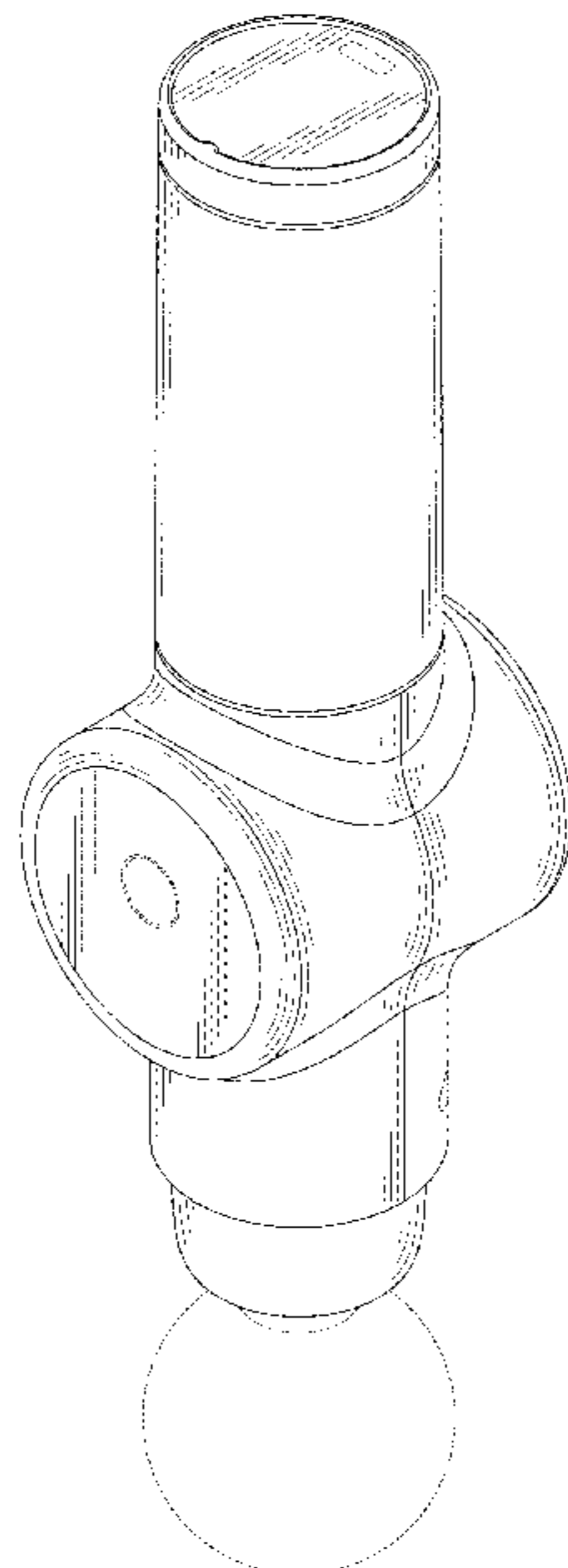
(57) **CLAIM**

I claim the ornamental design for a percussive massage device, as shown and described.

DESCRIPTION

FIG. 1 is a top perspective view of a percussive massage device showing my new design;
 FIG. 2 is a bottom perspective view of the percussive massage device shown in FIG. 1;
 FIG. 3 is a front view of the percussive massage device shown in FIG. 1;
 FIG. 4 is a rear view of the percussive massage device shown in FIG. 1;
 FIG. 5 is a left side view of the percussive massage device shown in FIG. 1;
 FIG. 6 is a right side view of the percussive massage device shown in FIG. 1;
 FIG. 7 is a top view of the percussive massage device shown in FIG. 1; and,
 FIG. 8 is a bottom view of the percussive massage device shown in FIG. 1.
 The broken lines in the drawings are for the purpose of illustrating environmental structure which form no part of the claimed design.

1 Claim, 5 Drawing Sheets



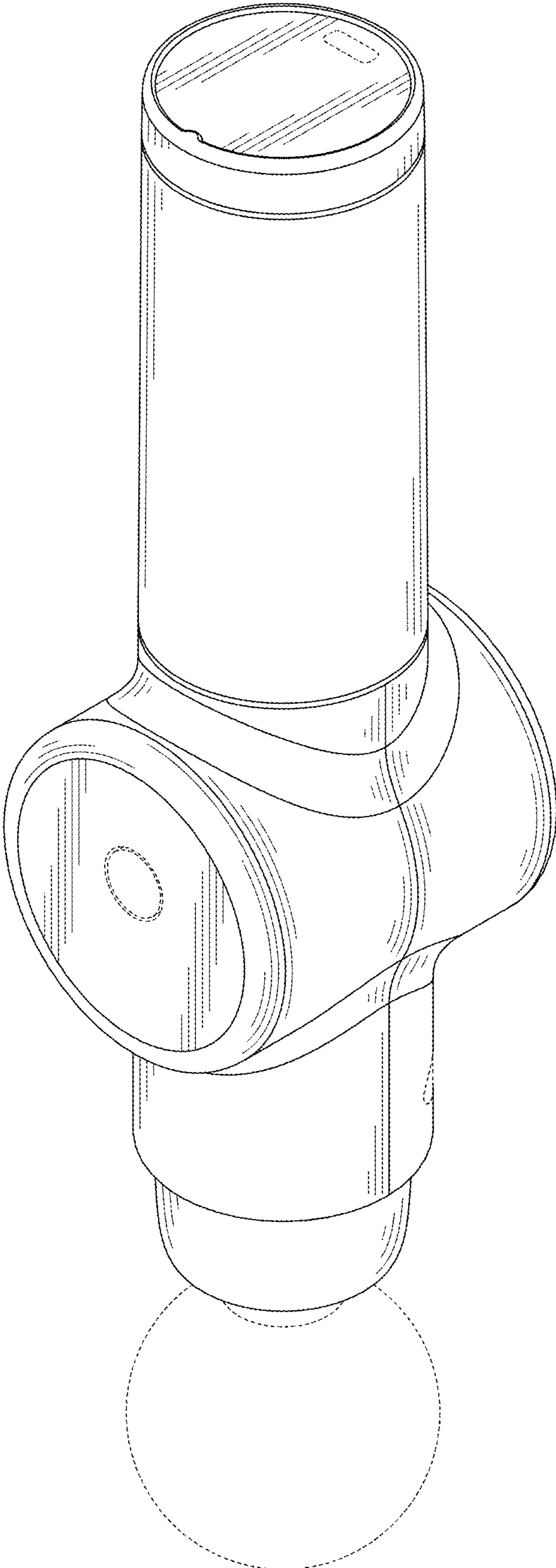


FIG. 1

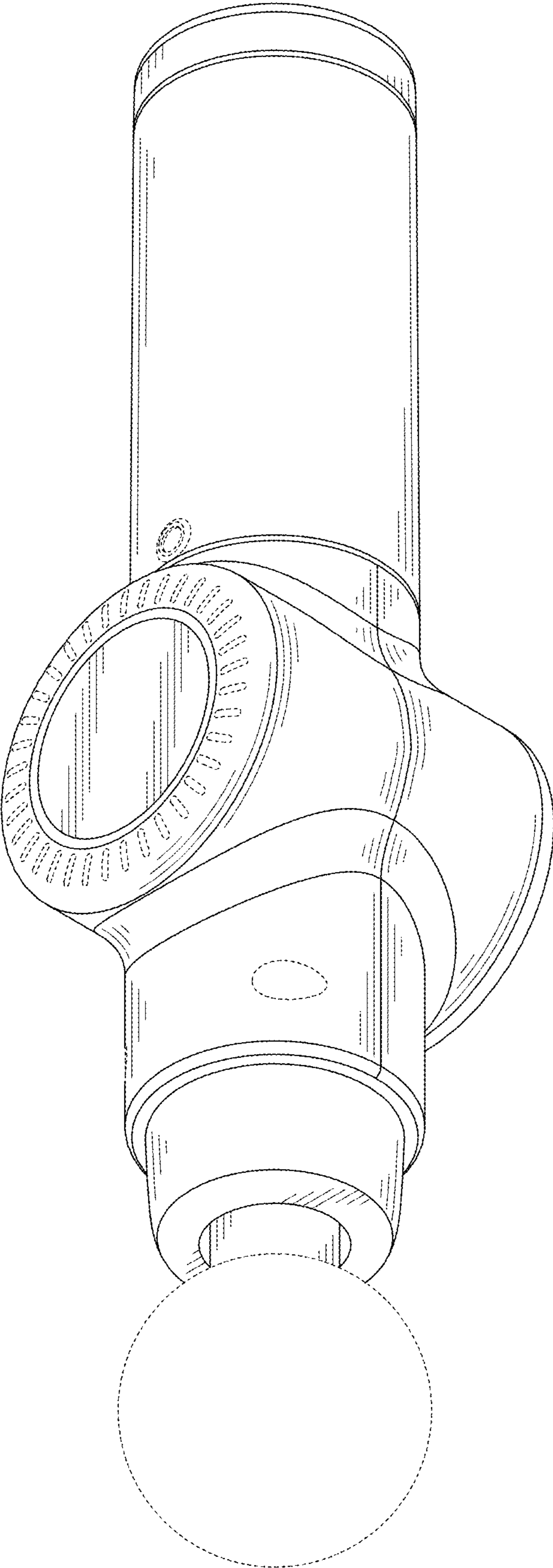


FIG. 2

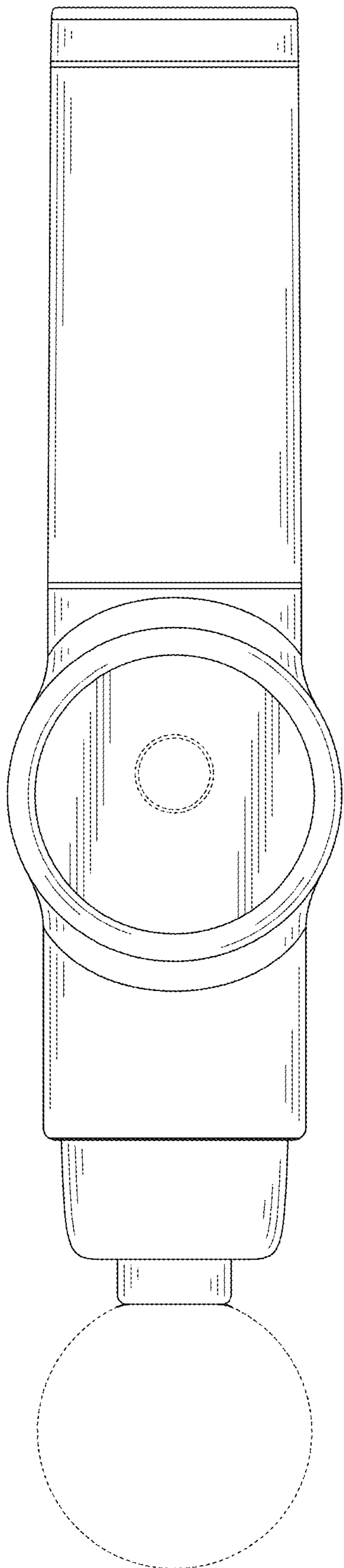


FIG. 3

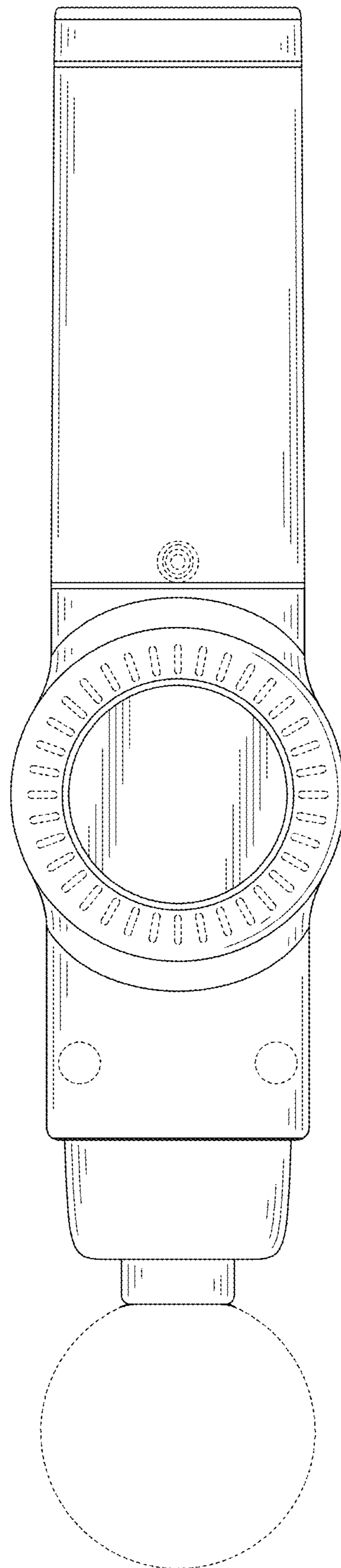


FIG. 4

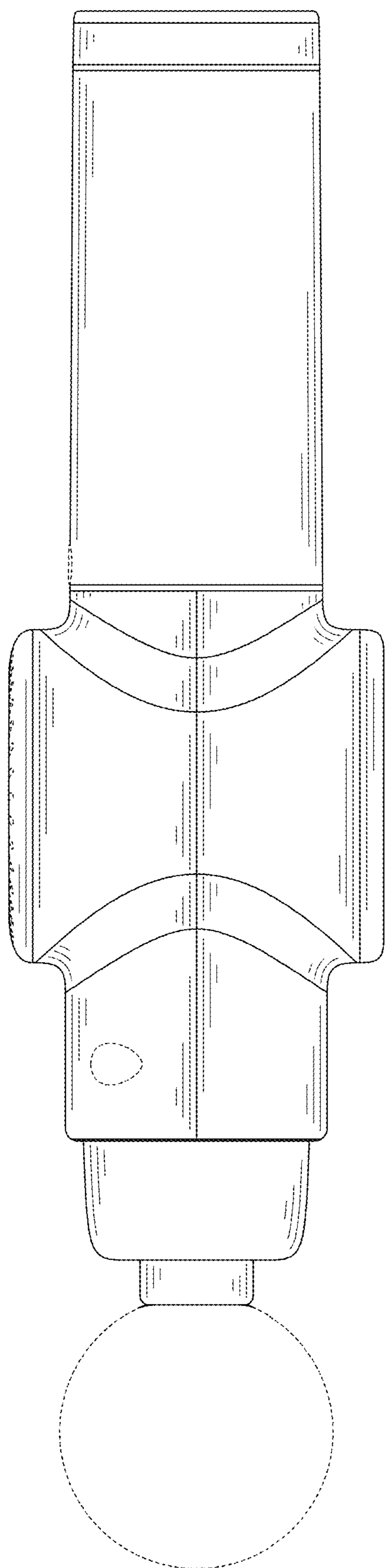


FIG. 5

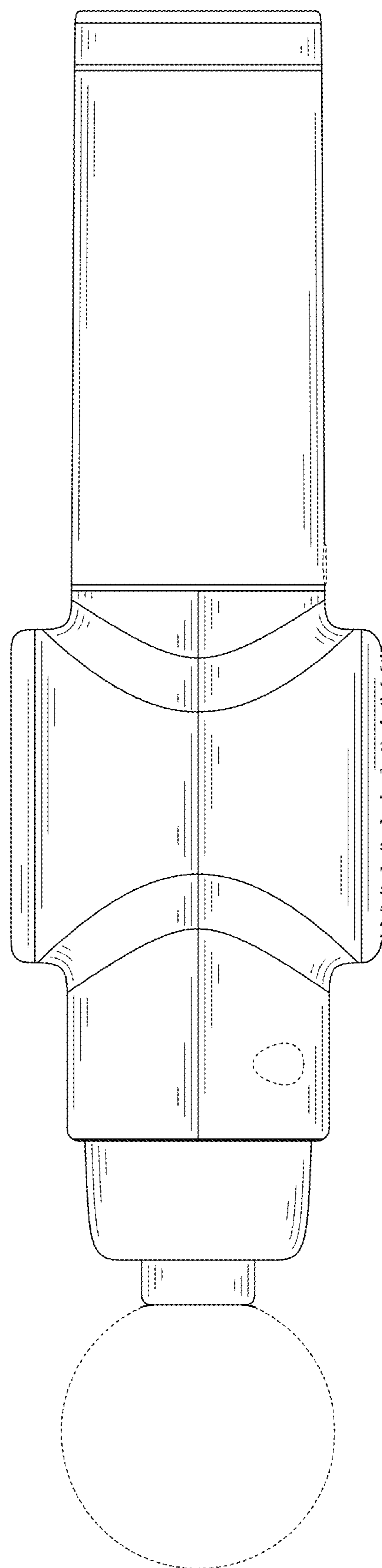


FIG. 6

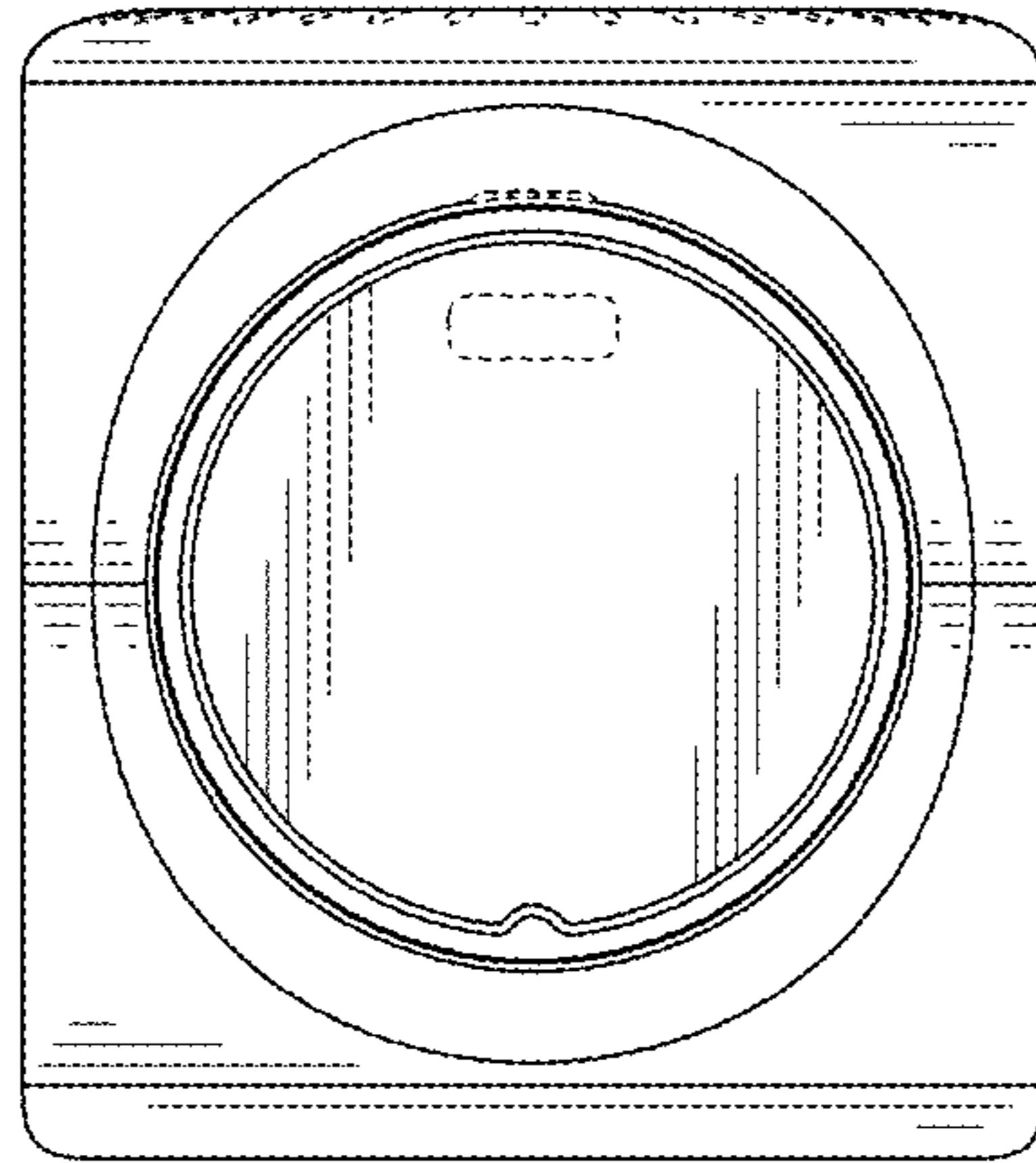


FIG. 7

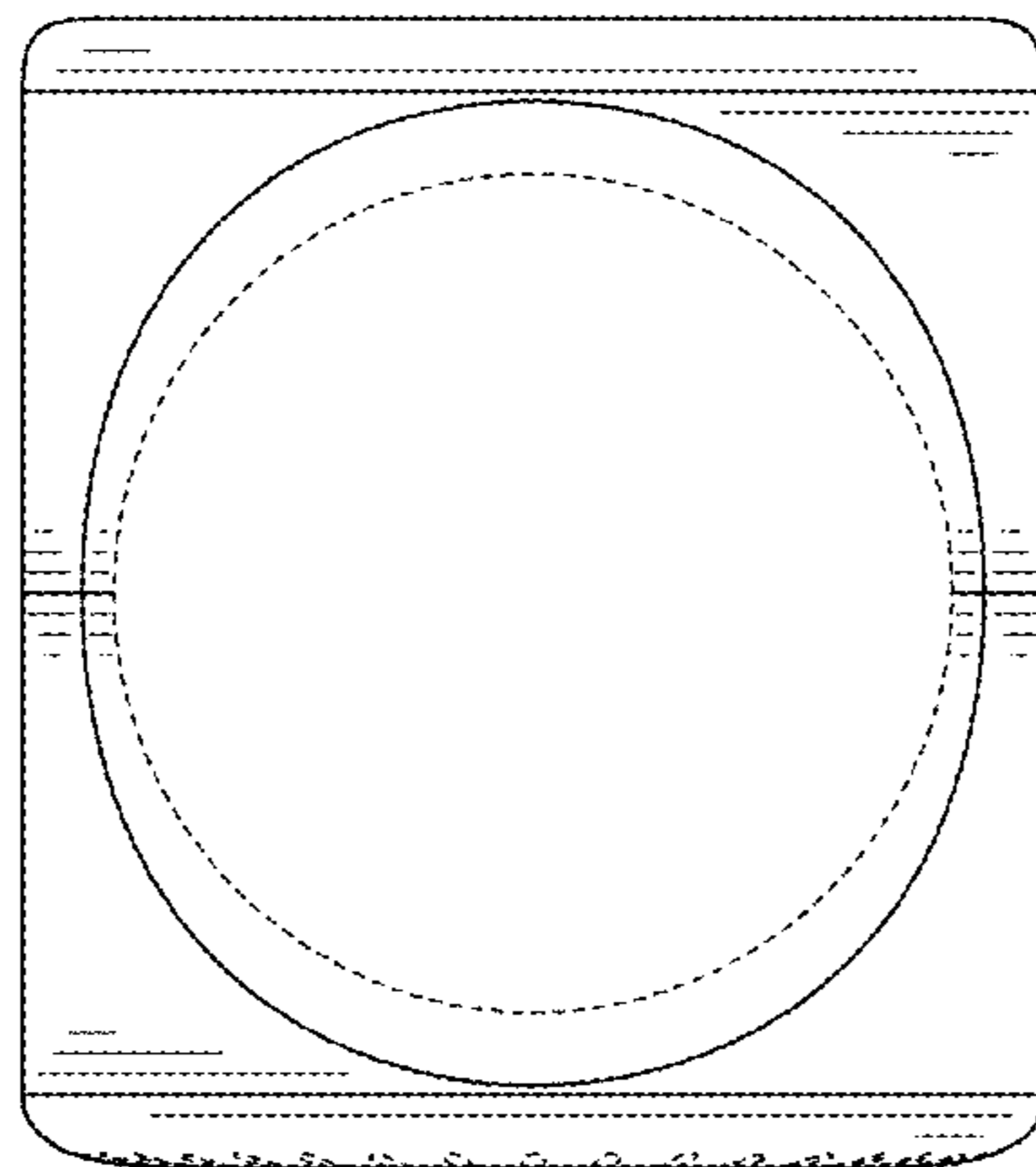


FIG. 8