



US00D953556S

(12) **United States Design Patent** (10) **Patent No.:** **US D953,556 S**  
**Marton et al.** (45) **Date of Patent:** **\*\* May 31, 2022**

(54) **PERCUSSIVE MESSAGE DEVICE**

FOREIGN PATENT DOCUMENTS

(71) Applicant: **Hyper Ice, Inc.**, Irvine, CA (US)

CN 3108457 4/1999  
CN 3155803 8/2000

(72) Inventors: **Robert Marton**, Yorba Linda, CA (US); **Anthony Katz**, Laguna Niguel, CA (US)

(Continued)

(73) Assignee: **Hyper Ice, Inc.**, Irvine, CA (US)

(\*\*) Term: **15 Years**

(21) Appl. No.: **29/744,896**

(22) Filed: **Jul. 31, 2020**

(51) **LOC (13) Cl.** ..... **28-03**

(52) **U.S. Cl.**  
USPC ..... **D24/215**

(58) **Field of Classification Search**  
USPC ..... D24/200, 211, 212, 213, 214, 215;  
D8/14.1; D28/13

CPC ..... A61H 1/008; A61H 15/02; A61H  
2201/1635; A61H 23/006; A61H 23/0263;  
A61H 15/00; A61H 1/006

See application file for complete search history.

(56) **References Cited**

U.S. PATENT DOCUMENTS

D408,543 S	4/1999	Back	
D478,385 S *	8/2003	Dirks	D24/215
D847,364 S	4/2019	Lee et al.	
D855,822 S	8/2019	Marton et al.	
D863,571 S	10/2019	Yang	
D866,790 S	11/2019	Lee et al.	
D873,432 S	1/2020	Dunn	
D874,015 S	1/2020	Marton et al.	
D875,961 S	2/2020	Li	
D884,205 S	5/2020	Zhuang	
D884,207 S	5/2020	Ma	
D886,317 S	6/2020	Marton et al.	
D895,829 S	9/2020	Hu	
D918,411 S *	5/2021	Xu	D24/215
D920,531 S *	5/2021	Xu	D24/215
D920,532 S *	5/2021	Xu	D24/215
10,993,874 B1 *	5/2021	Marton	A61H 23/02

(Continued)

OTHER PUBLICATIONS

Amazon, "Hyperice Hypervolt Go", Nov. 18, 2020. [https://www.amazon.com/Hyperice-Hypervolt-Percussion-Surprisingly-Whisper-Quiet/product-reviews/B08NTPJRZZ/ref=cm\\_cr\\_dp\\_d\\_show\\_all\\_btm?ie=UTF8&reviewerType=all\\_reviews](https://www.amazon.com/Hyperice-Hypervolt-Percussion-Surprisingly-Whisper-Quiet/product-reviews/B08NTPJRZZ/ref=cm_cr_dp_d_show_all_btm?ie=UTF8&reviewerType=all_reviews). Shown on p. 1. (Year: 2020).\*

(Continued)

*Primary Examiner* — Cynthia Ramirez

*Assistant Examiner* — Michael A Maharajh

(74) *Attorney, Agent, or Firm* — Patterson Intellectual Property Law, P.C.; Jerry Turner Sewell

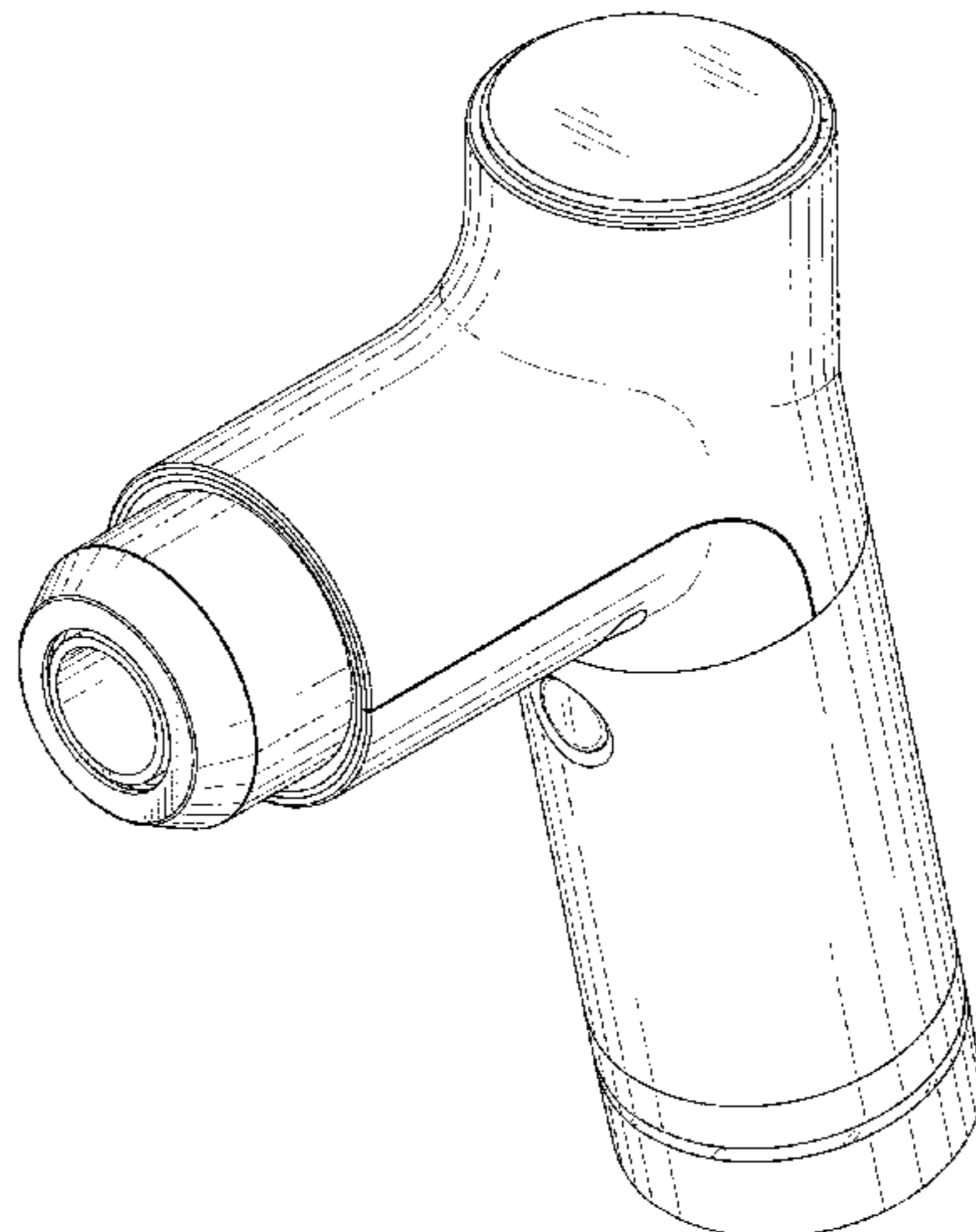
(57) **CLAIM**

The ornamental design for a "percussive massage device," as shown and described.

**DESCRIPTION**

FIG. 1 is an upper front perspective view of a percussive massage device of our new design; FIG. 2 is a lower front perspective view thereof; FIG. 3 is a left side view thereof; FIG. 4 is a right side view thereof; FIG. 5 is a front view thereof; FIG. 6 is a rear view thereof; FIG. 7 is a top view thereof; and, FIG. 8 is a bottom view thereof. The broken lines in the drawings are for the purposes of illustrating portions of the percussive massage device, which form no part of the claimed design.

**1 Claim, 6 Drawing Sheets**



(56)

References Cited

U.S. PATENT DOCUMENTS

D924,424	S	*	7/2021	Wang	.....	D24/215
D925,751	S	*	7/2021	Wu	.....	D24/211
D925,758	S	*	7/2021	Xu	.....	D24/215
D928,339	S	*	8/2021	Yang	.....	D24/215
D932,038	S	*	9/2021	Park	.....	D24/211
D932,045	S	*	9/2021	Shen	.....	D24/215
2020/0085675	A1	*	3/2020	Lee	.....	A61H 15/0085
2020/0214930	A1	*	7/2020	Wersland	.....	A61H 23/006
2020/0405574	A1	*	12/2020	Wersland	.....	A61H 1/008
2021/0022955	A1	*	1/2021	Wersland	.....	A61H 1/006
2021/0059898	A1	*	3/2021	Wersland	.....	A61H 15/00

FOREIGN PATENT DOCUMENTS

CN	3202355		9/2001
CN	3209707		11/2001
CN	3249359		7/2002
CN	3337572		11/2003
CN	3395112		9/2004
CN	3488401		11/2005
CN	302319938	S	2/2013
CN	303389916	S	9/2015
CN	303457647	S	11/2015
CN	305167898		5/2019
CN	305313554		8/2019
CN	305571224	S	1/2020
CN	305628440		2/2020
CN	305651652		3/2020
CN	305747546		4/2020
CN	305795992		5/2020
CN	305863004		6/2020
CN	306219678	S	12/2020
JP	D1683409		4/2021
KR	3010427980000		1/2020
TW	D202371		1/2020

OTHER PUBLICATIONS

Youtube, "Hyperice Hypervolt Go Clip", Dec. 10, 2020. [https://www.youtube.com/watch?v=s304\\_ftwnxM](https://www.youtube.com/watch?v=s304_ftwnxM). (Year: 2020).\*

Taiwan IPO Search Report for corresponding Taiwan Design Patent Application No. 110300550, completed on May 27, 2021, 1 page. English translation of Taiwan IPO Search Report for corresponding Taiwan Design Patent Application No. 110300550, completed on May 27, 2021, 1 page.

Advertisement for Impact Massage Gun by Trigger Point, [Accessed online on Mar. 10, 2020, from <https://triggerpoint.implus.com/impact>].

"Massage Gun Mini," Advertisement for Massage Guns, [Accessed online on Mar. 10, 2020, from <https://massageguns.com/products/massage-gun-mini>].

"Massage Gun for Athletes," Advertisement for Massage Gun by Eraxusa, [Accessed online on Mar. 10, 2020, from <https://www.amazon.com/Athletes-Percussion-Relaxation-Cordless-Handheld/dp/B08482751K>].

"Massage Gun Deep Tissue Percussion Muscle Relaxer for Pain Relief," Advertisement for Massage Gun by BQQCSTY, [Accessed online on Mar. 10, 2020, from <https://www.amazon.com/Massager-Percussion-Vibration-Brushless-BQQCSTY/dp/B0833PPDKJ>].

"Massage Gun Deep Tissue Percussion Muscle Relaxer for Pain Relief," Advertisement for Massage Gun by REDAPO, [Accessed online on Mar. 10, 2020, from <https://www.amazon.com/Massage-Tissue-Percussion-Muscle-Massager/dp/B083SRHSJD>].

"Massage Gun for Athletes," Advertisement for Massage Gun by Emaxusa, [Accessed online on Mar. 10, 2020, from <https://www.amazon.com/Athletes-Percussion-Relaxation-Cordless-Handheld/dp/B0849L5PVX>].

Advertisement for Massage Gun by MPT, [Accessed online on Mar. 10, 2020, from [https://www.alibaba.com/product-detail/MPT-26V-2500mAh-Portable-Handheld-Cordless\\_62173601405.html](https://www.alibaba.com/product-detail/MPT-26V-2500mAh-Portable-Handheld-Cordless_62173601405.html)].

"Electric Massage Gun Fascia Gun Percussion Therapy Relax Muscle Device 5 Speeds 3600RPM," Advertisement for Massage Gun by Massage, [Accessed online on Mar. 10, 2020, from <https://www.geekbuying.com/item/Electric-Massage-Gun-Relax-Muscle-Therapy-Device-Black-418543.html>].

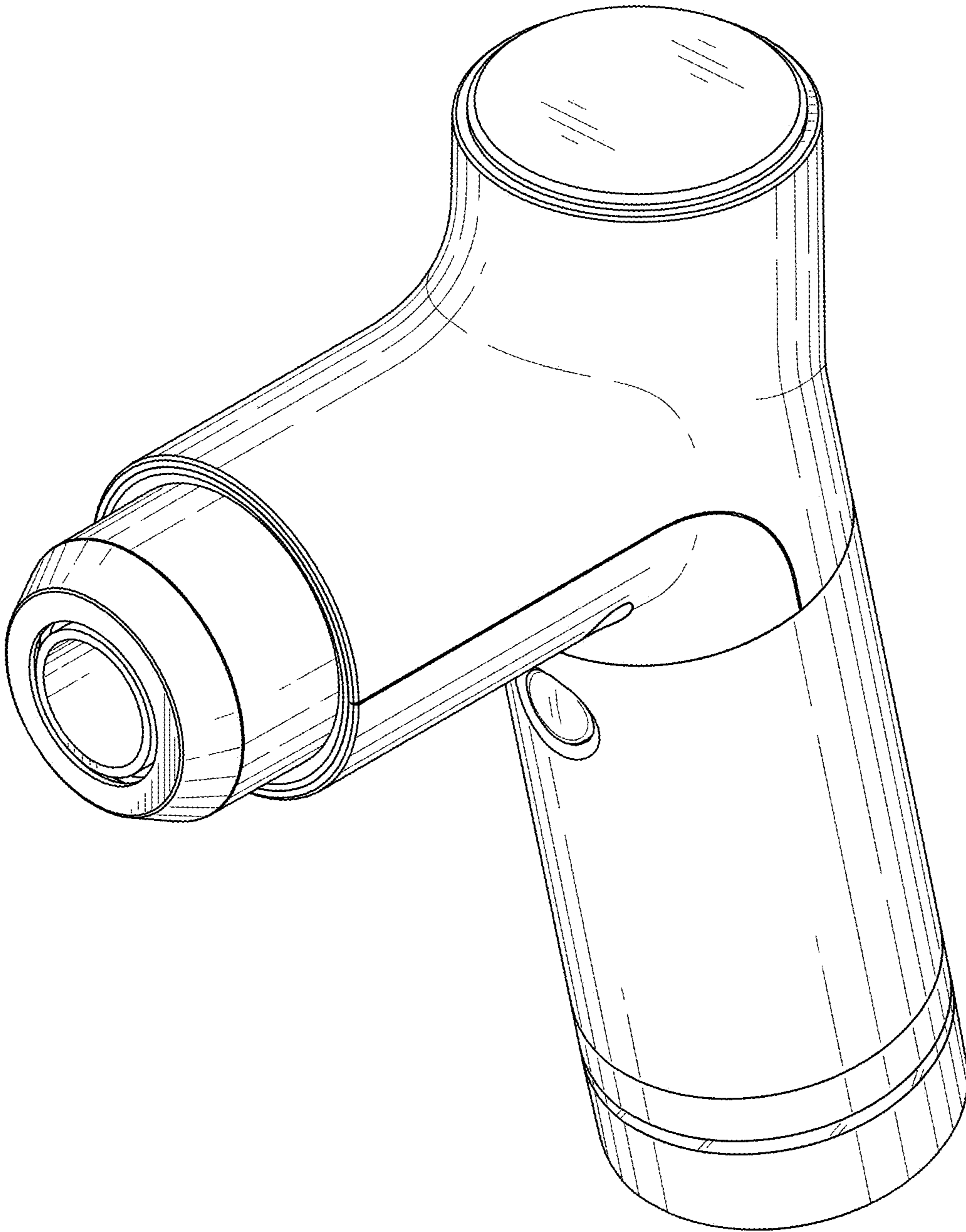
Advertisement for "Muscle Blaster V2" Massage Gun by Jawku, [Accessed online on Mar. 10, 2020, from <https://jawku.com/>].

"Hot Sale! Factory Hand Held Massage Gun Relax Deep Tissue Vibration Muscle Relax Cordless Massager For Muscle," Advertisement for Massage Gun by OEM, [Accessed online on Mar. 10, 2020, from [https://www.alibaba.com/product-detail/Factory-Hand-Held-Massage-Gun-Relax\\_62095231627.html](https://www.alibaba.com/product-detail/Factory-Hand-Held-Massage-Gun-Relax_62095231627.html)].

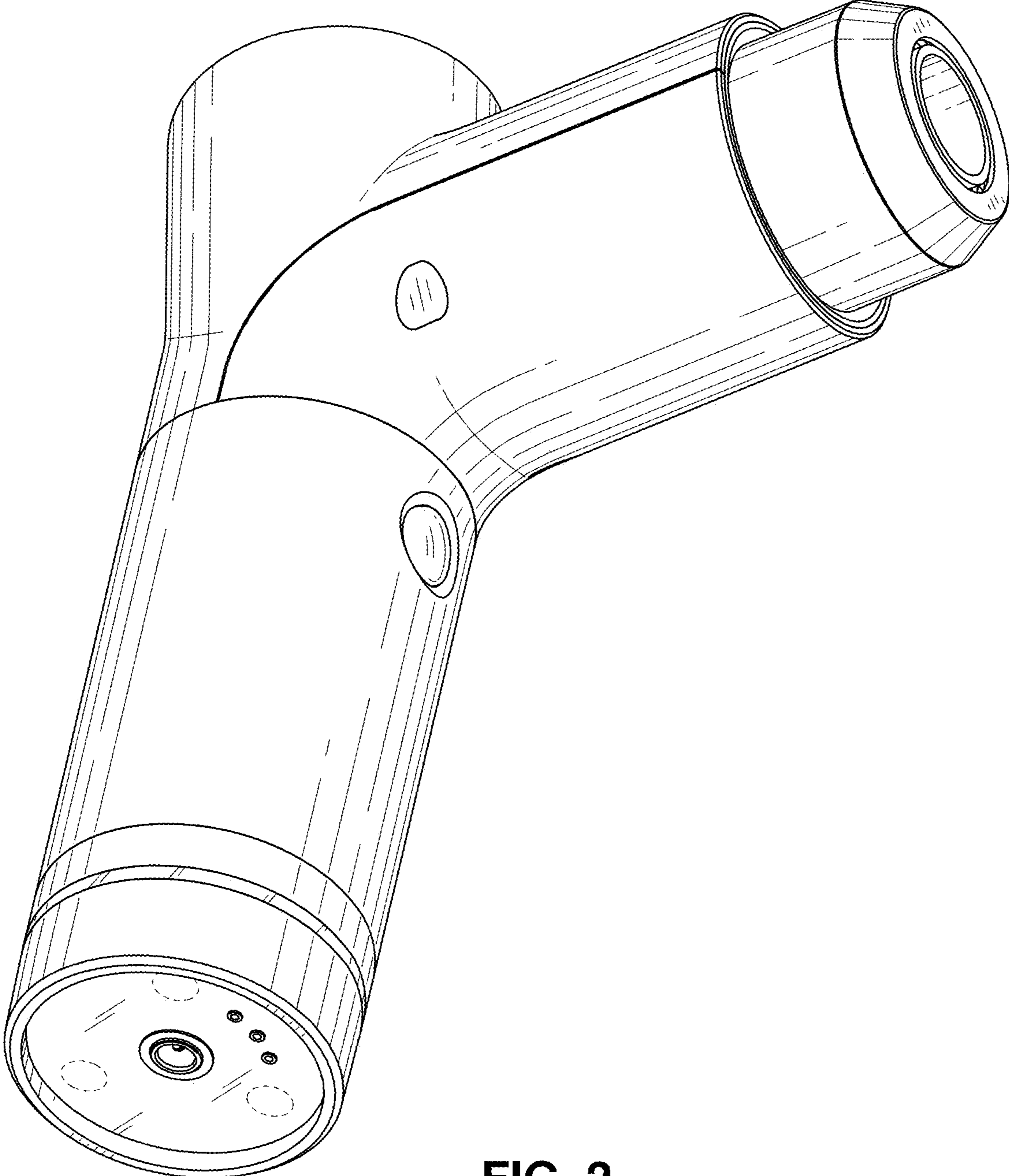
"VIMDO 2020 New Arrival VMG03 24V Percussion Deep Tissue Cordless Fascia Muscle Vibration Massage Gun Massager," Advertisement for Massage Gun by JVIMDO, [Accessed online on Mar. 10, 2020, from [https://www.alibaba.com/product-detail/VIMDO-2020-New-Arrival-VMG03-24V\\_62057035351.html](https://www.alibaba.com/product-detail/VIMDO-2020-New-Arrival-VMG03-24V_62057035351.html)].

"Personal Massage Gun Muscle Massager Athletic Deep Tissue Massager Muscle Recovery Fascial Gun," Advertisement for Massage Gun by Hi5, [Accessed online on Mar. 10, 2020, from [https://www.alibaba.com/product-detail/Personal-Percussion-Massage-Gun-Muscle-Massager\\_1600052733752.html](https://www.alibaba.com/product-detail/Personal-Percussion-Massage-Gun-Muscle-Massager_1600052733752.html)].

\* cited by examiner



**FIG. 1**



**FIG. 2**

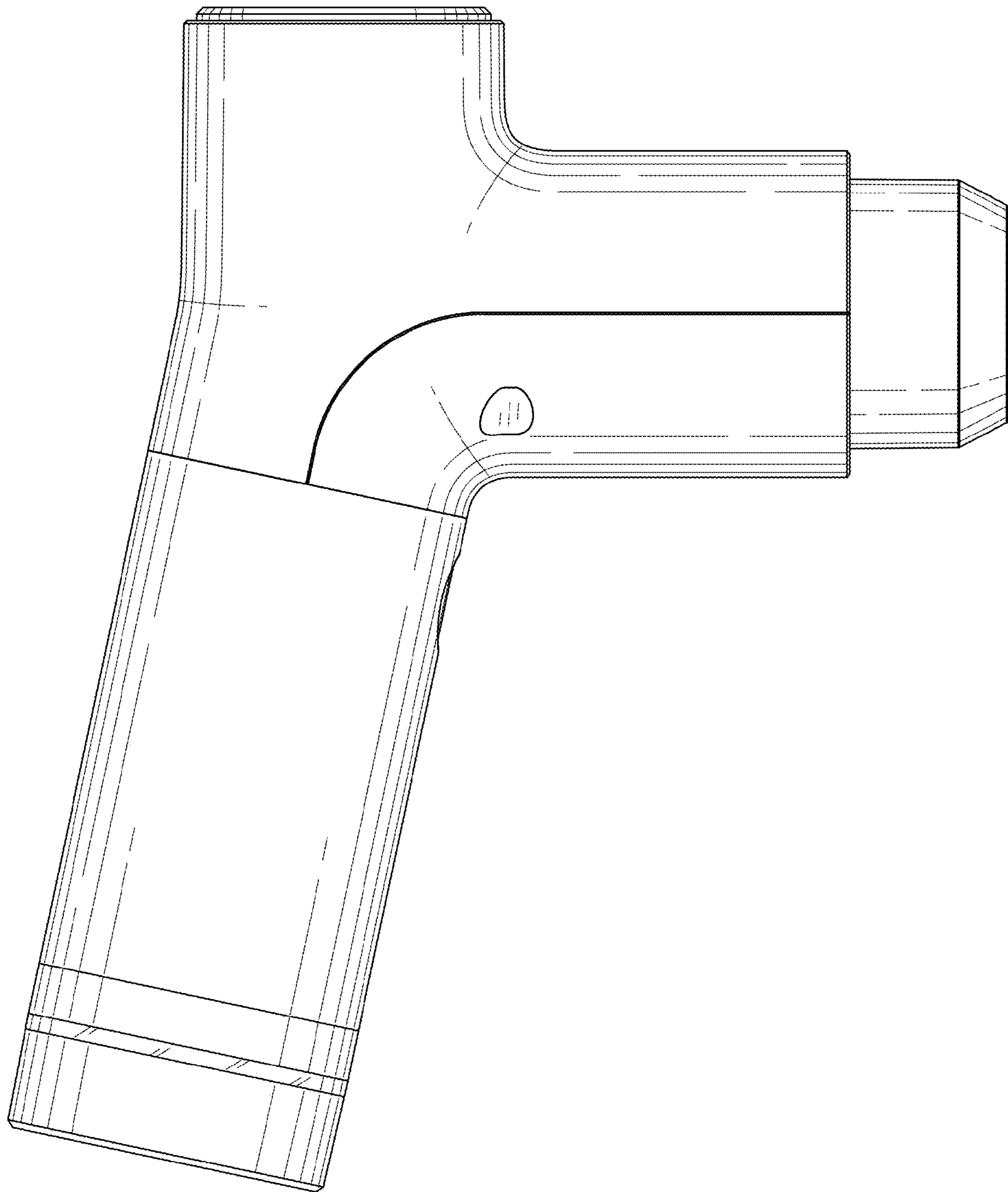


FIG. 3

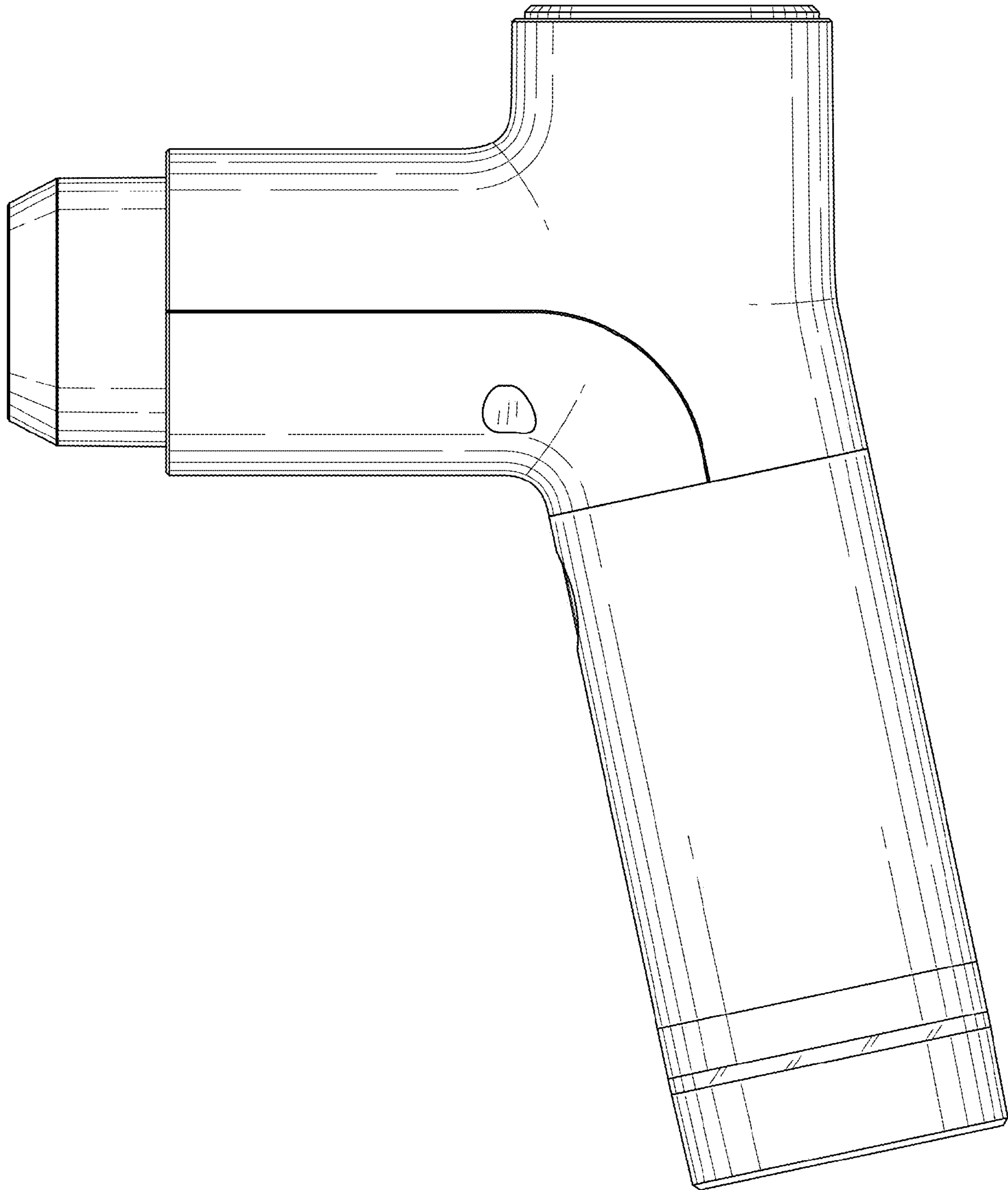
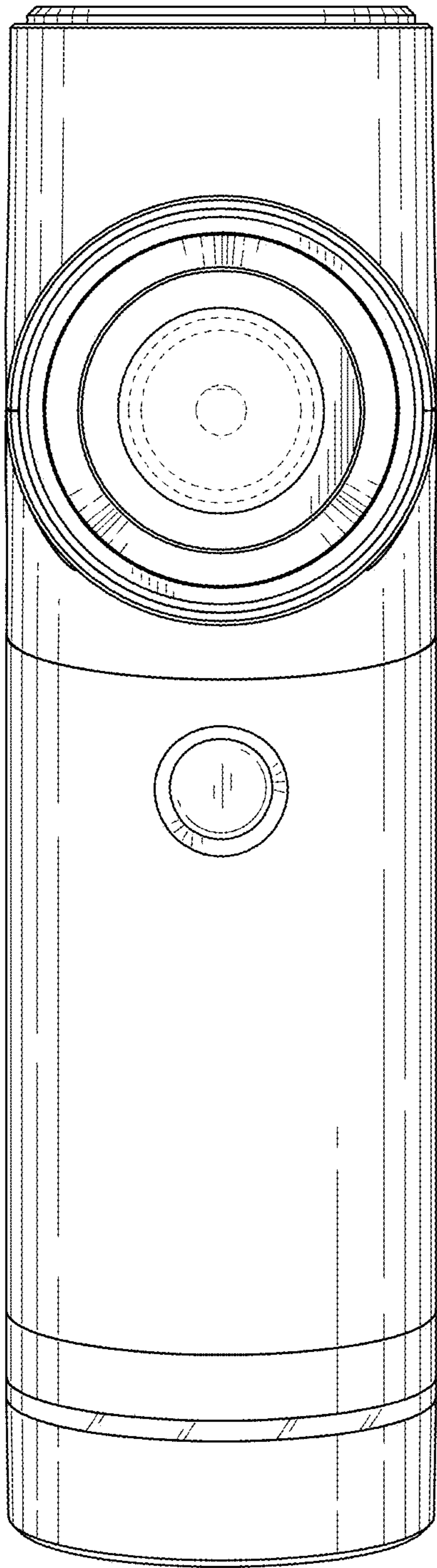
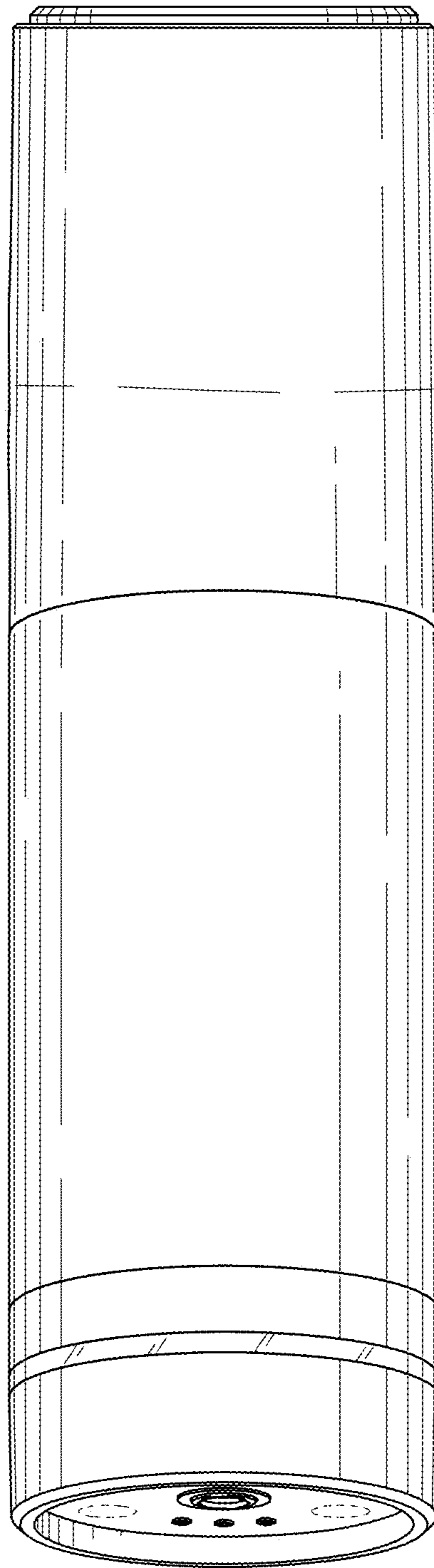


FIG. 4



**FIG. 5**



**FIG. 6**

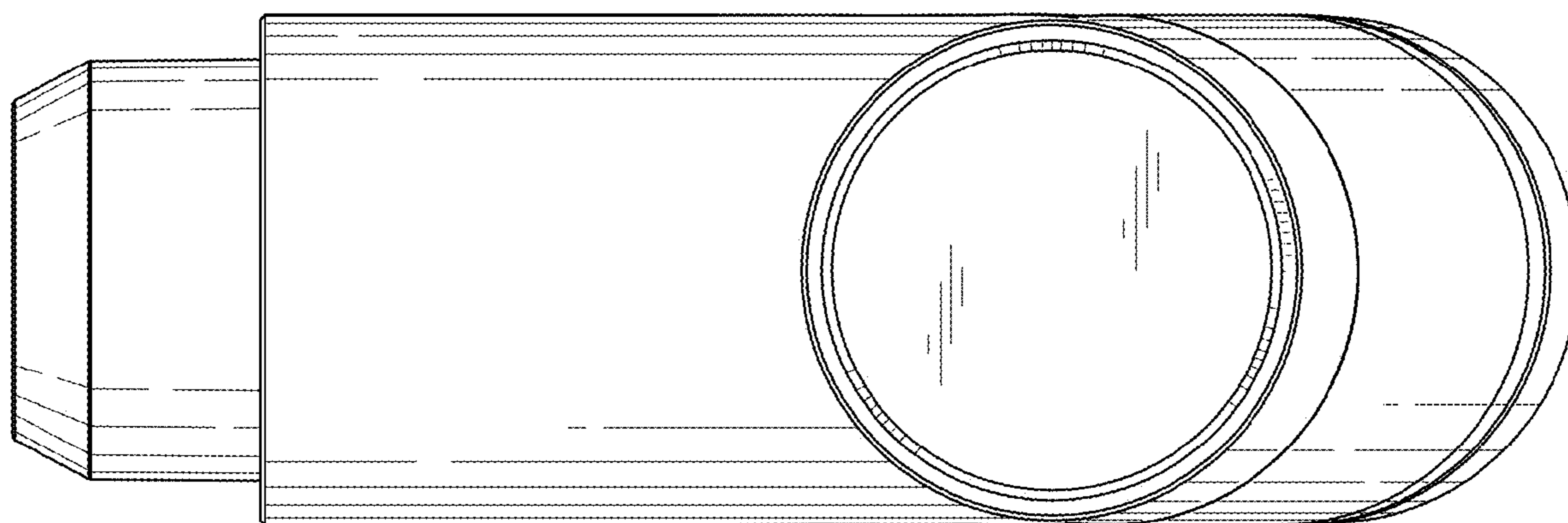


FIG. 7

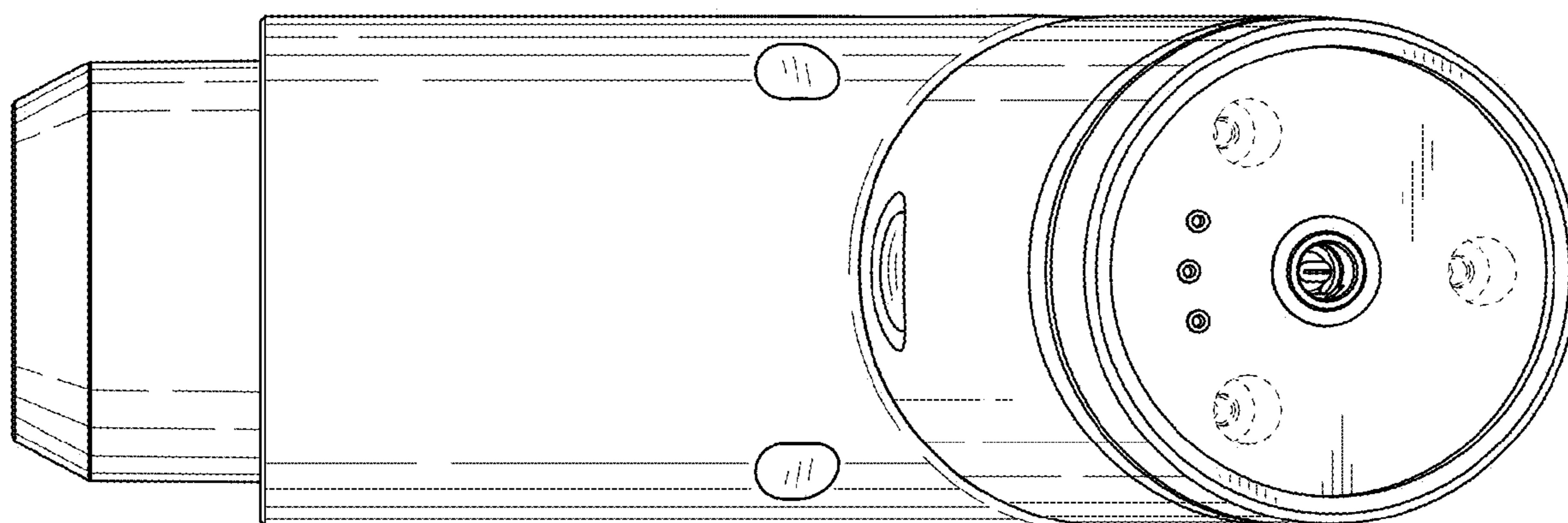


FIG. 8