



US00D953552S

(12) **United States Design Patent** (10) **Patent No.:** **US D953,552 S**
Tan (45) **Date of Patent:** **** May 31, 2022**

(54) **PHOTOTHERAPY DEVICE**
(71) Applicant: **Shenzhen NearbyExpress Technology Development Company Limited**, Shenzhen (CN)
(72) Inventor: **Xiang-Min Tan**, Shenzhen (CN)
(73) Assignee: **Shenzhen NearbyExpress Technology Development Company Limited**, Shenzhen (CN)

(**) Term: **15 Years**
(21) Appl. No.: **29/730,087**
(22) Filed: **Apr. 1, 2020**

(30) **Foreign Application Priority Data**
Mar. 2, 2020 (CN) 202030065856.3
(51) **LOC (13) Cl.** **28-03**
(52) **U.S. Cl.**
USPC **D24/209**
(58) **Field of Classification Search**
USPC D24/107, 186, 158, 231, 200, 209, 210;
D26/93, 104, 106, 120; D28/9; D14/341
CPC A61N 5/0616; A61N 5/0618; A61N
2005/0644; A61N 2005/0636; A61N
2005/0626; A61N 2005/0627; A61N
2005/0652; A61N 2005/0654; A61N
2005/0642; A61B 2018/00452; A61B
2018/1807
See application file for complete search history.

(56) **References Cited**
U.S. PATENT DOCUMENTS
D724,579 S * 3/2015 Moradian D14/341
D807,522 S * 1/2018 Berke D24/210

D875,265 S * 2/2020 Li D24/210
D879,984 S * 3/2020 Hu D24/209
D903,136 S * 11/2020 Xiao D24/210
D911,540 S * 2/2021 Li D24/210
D925,047 S * 7/2021 Yang D24/210
D925,049 S * 7/2021 Yang D24/210
D925,050 S * 7/2021 Yang D24/210
D927,710 S * 8/2021 Li D24/210
2020/0132282 A1 * 4/2020 Harmon A61N 5/0618

FOREIGN PATENT DOCUMENTS

CN 201930337670.6 * 4/2020
* cited by examiner

Primary Examiner — Anhdao Doan
(74) *Attorney, Agent, or Firm* — ScienBiziP, P.C.

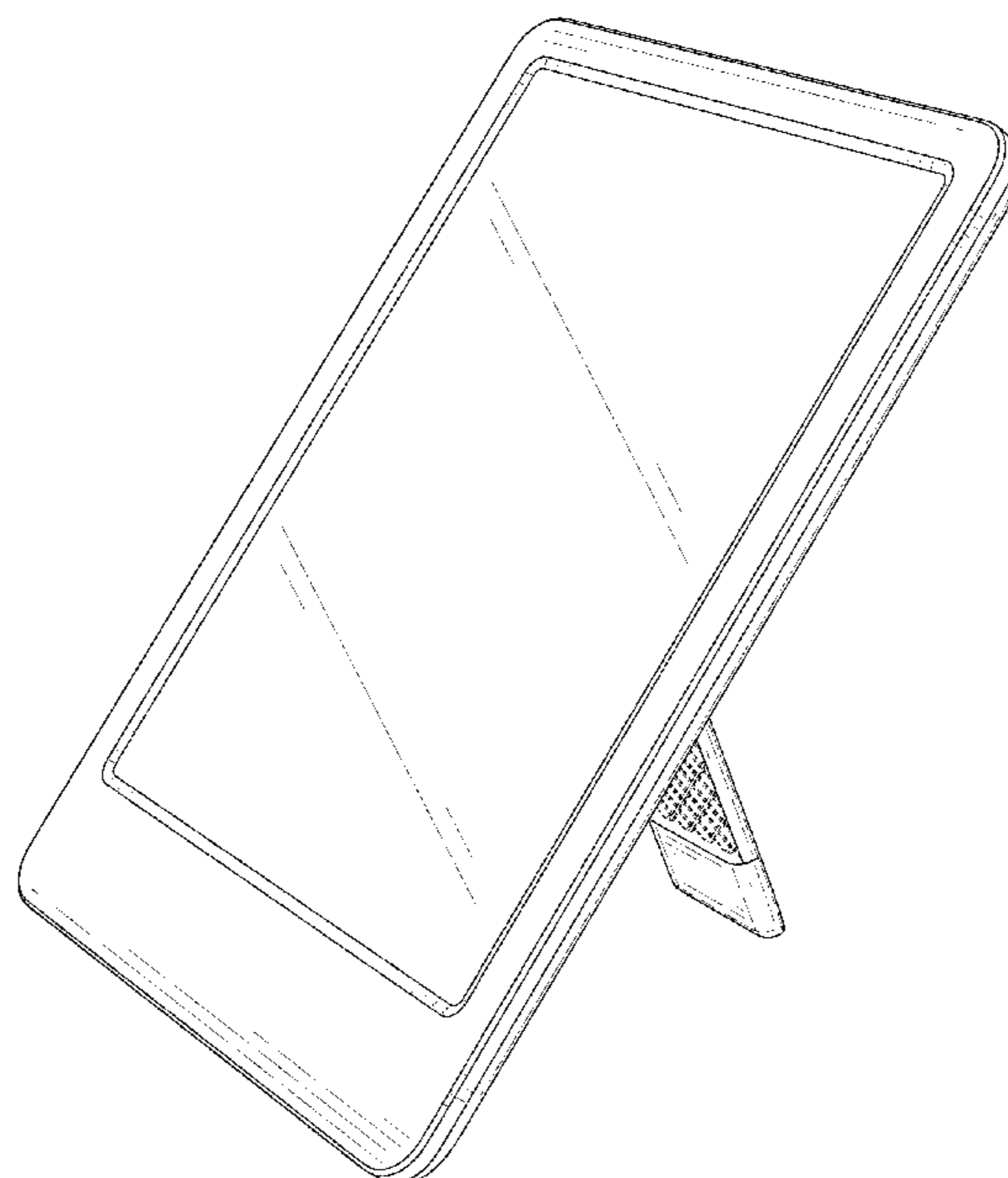
(57) **CLAIM**

The ornamental design for a phototherapy device, as shown and described.

DESCRIPTION

FIG. 1 is a bottom, front, right side perspective view of a phototherapy device, showing my design.
FIG. 2 is a top, rear, left side perspective view thereof.
FIG. 3 is a front elevation view thereof.
FIG. 4 is a rear elevation view thereof.
FIG. 5 is a left side elevation view thereof.
FIG. 6 is a right side elevation view thereof.
FIG. 7 is a top plan view thereof.
FIG. 8 is a bottom plan view thereof; and,
FIG. 9 is a rear perspective view thereof showing a condition when the stand is folded up.
The broken lines shown in the drawings are included for the purpose of illustrating portions of the phototherapy device that form no part of the claimed design.

1 Claim, 9 Drawing Sheets



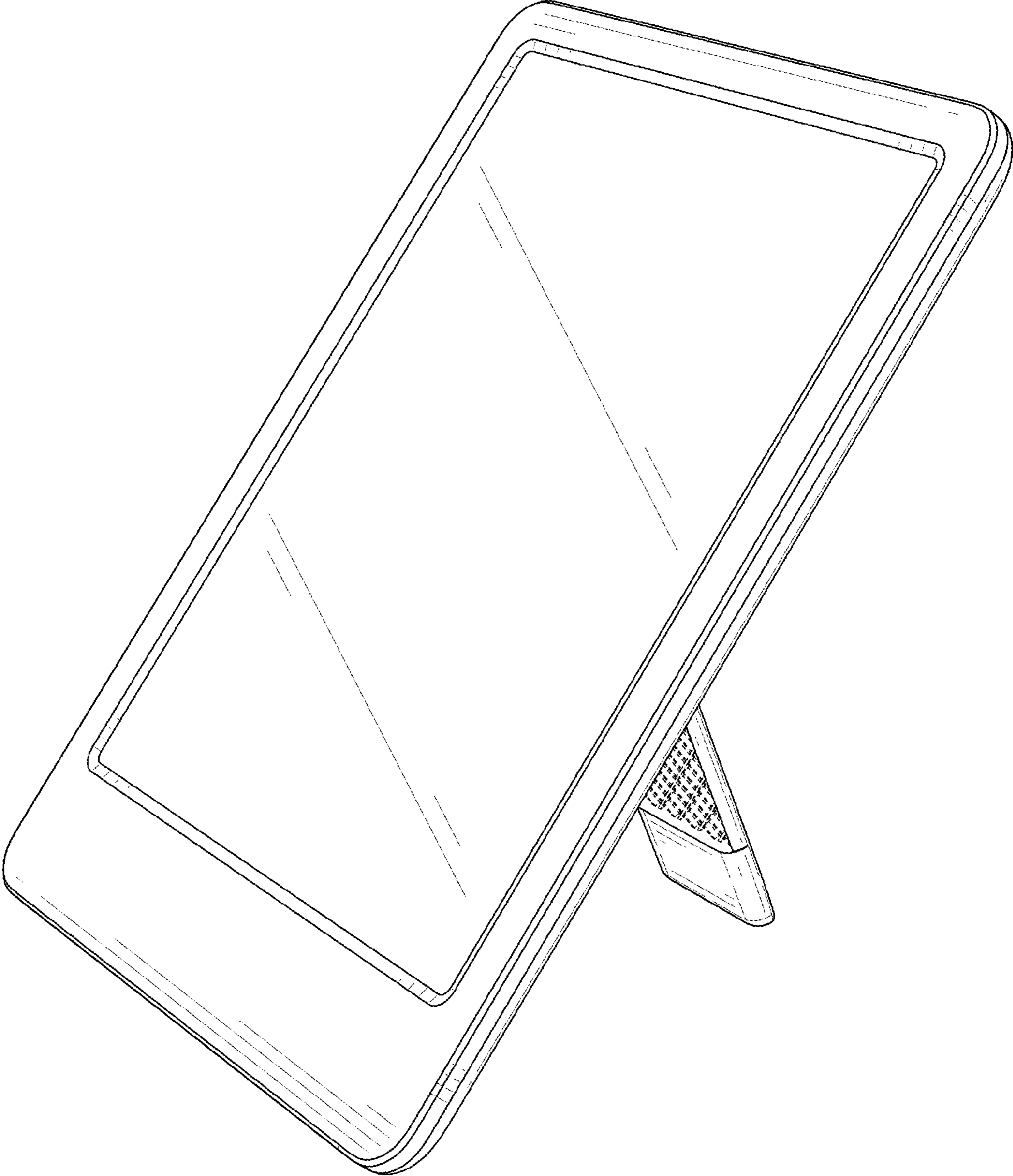


FIG. 1

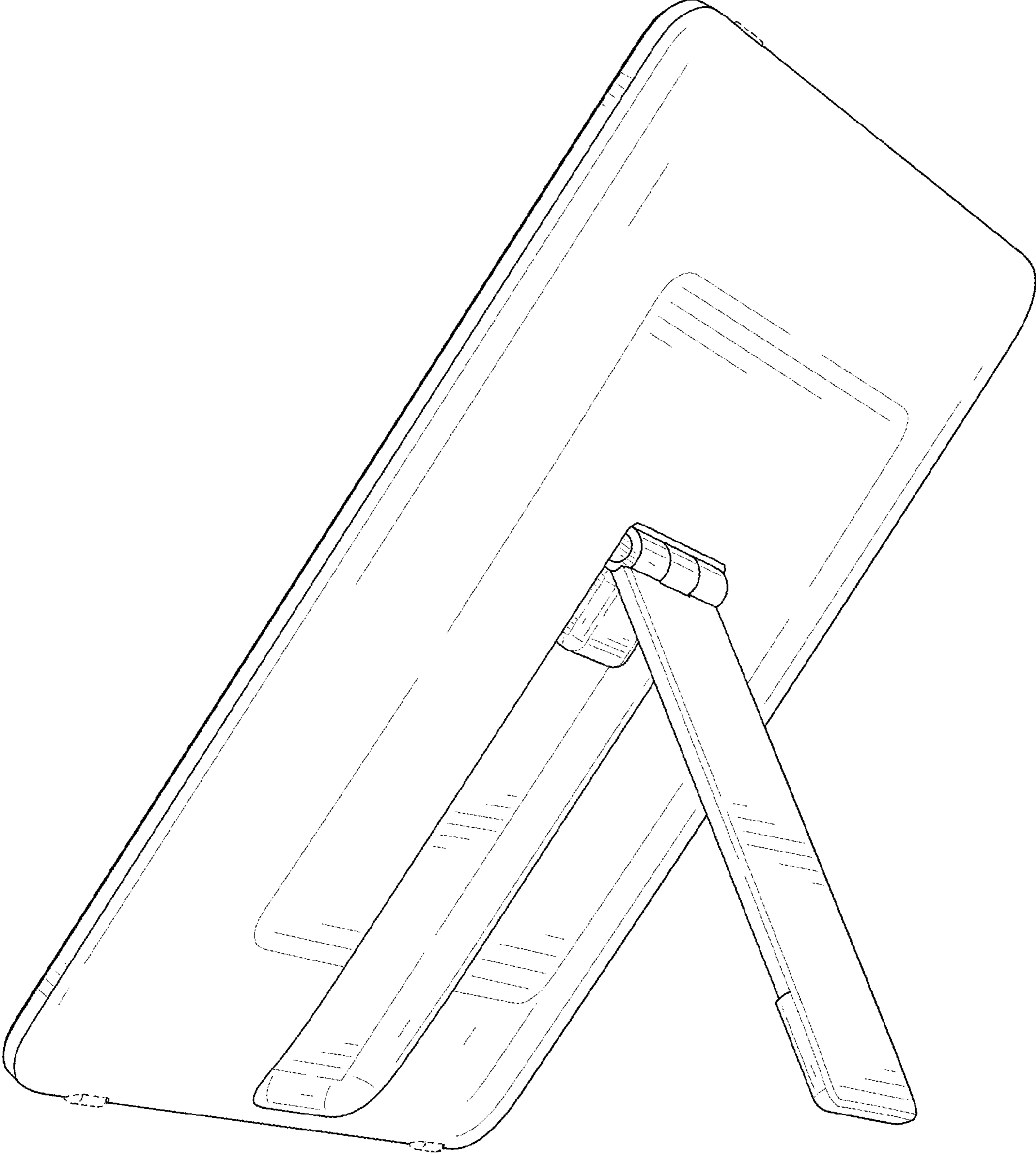


FIG. 2

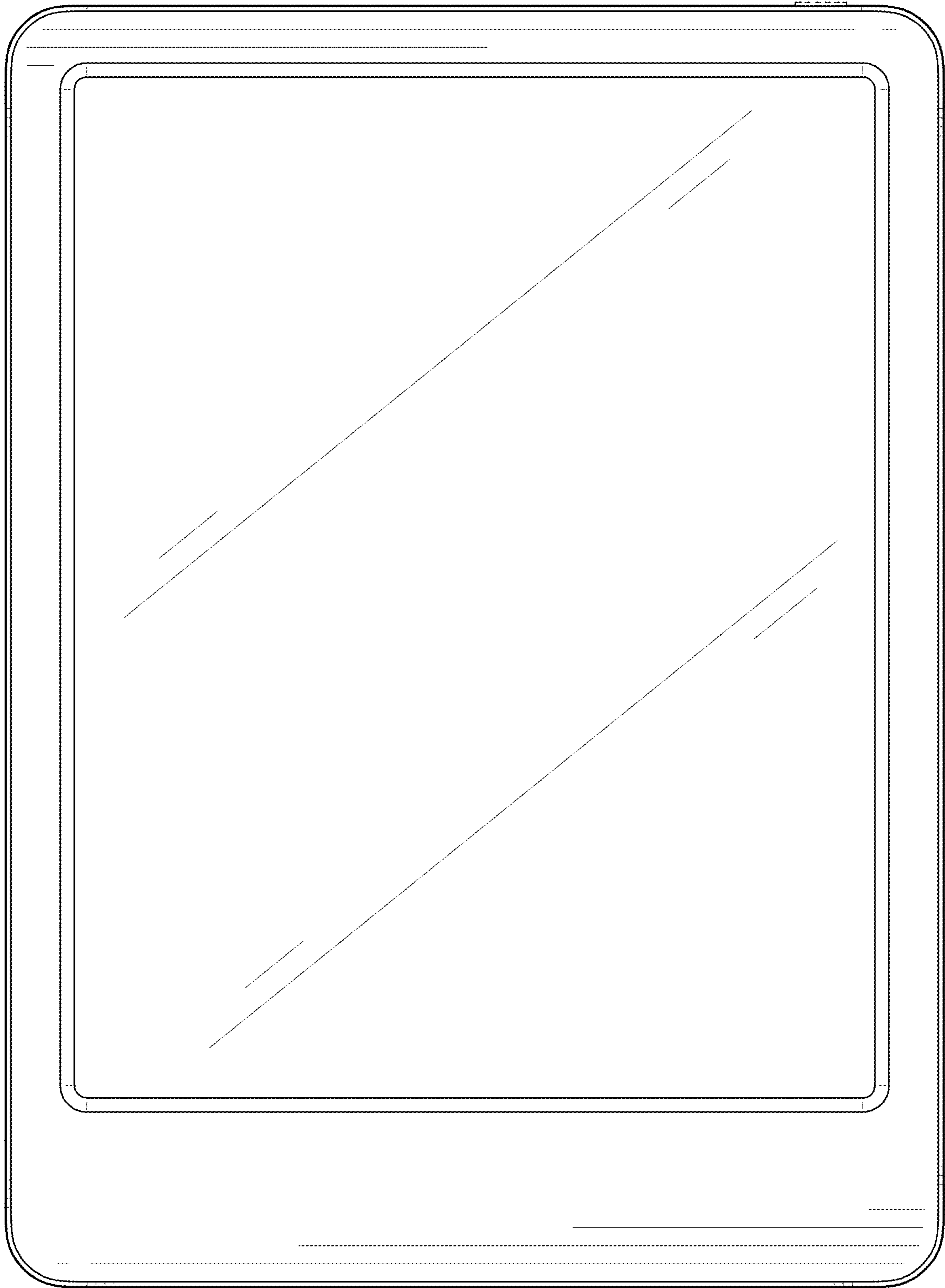


FIG. 3

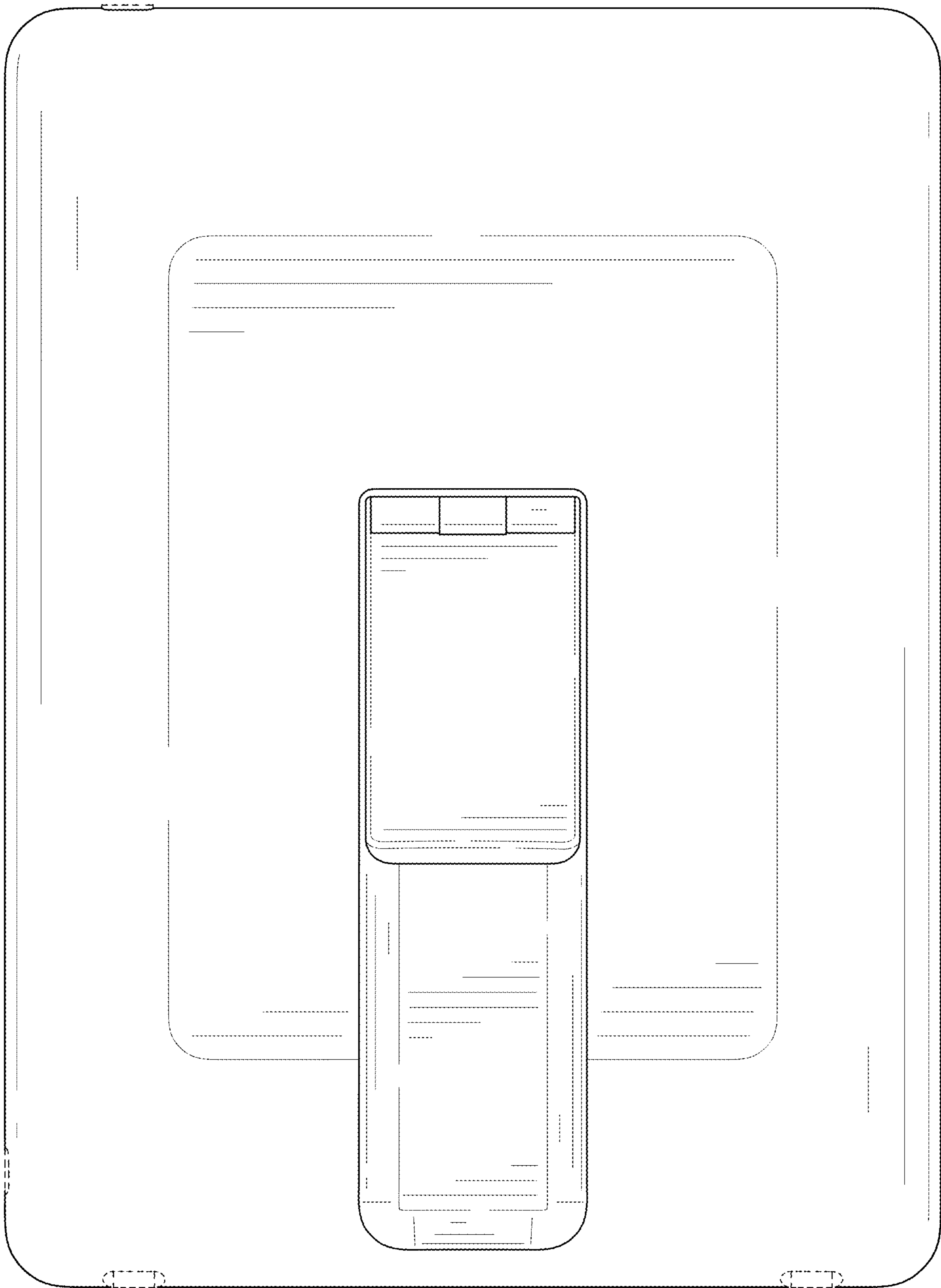


FIG. 4

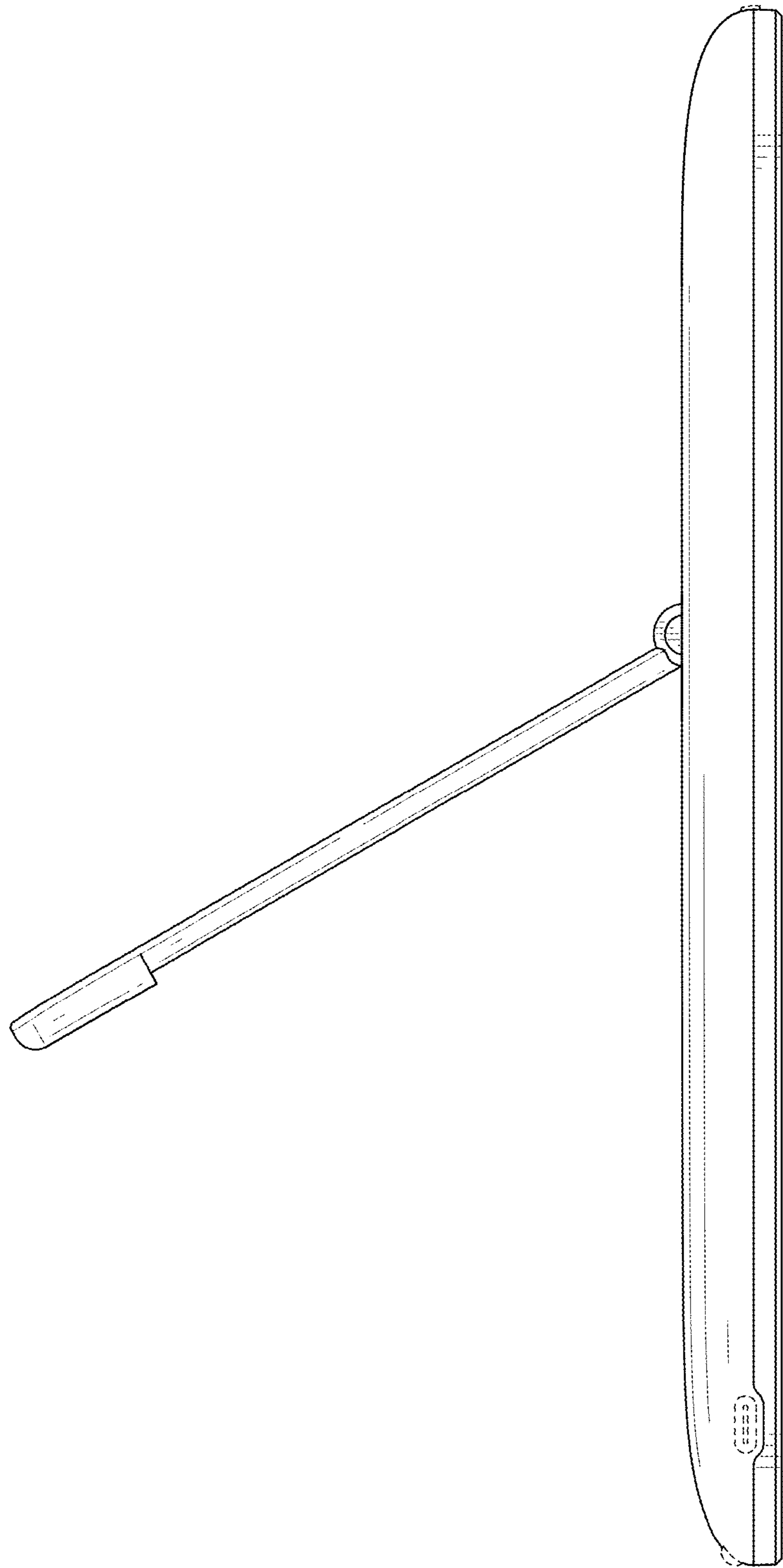


FIG. 5

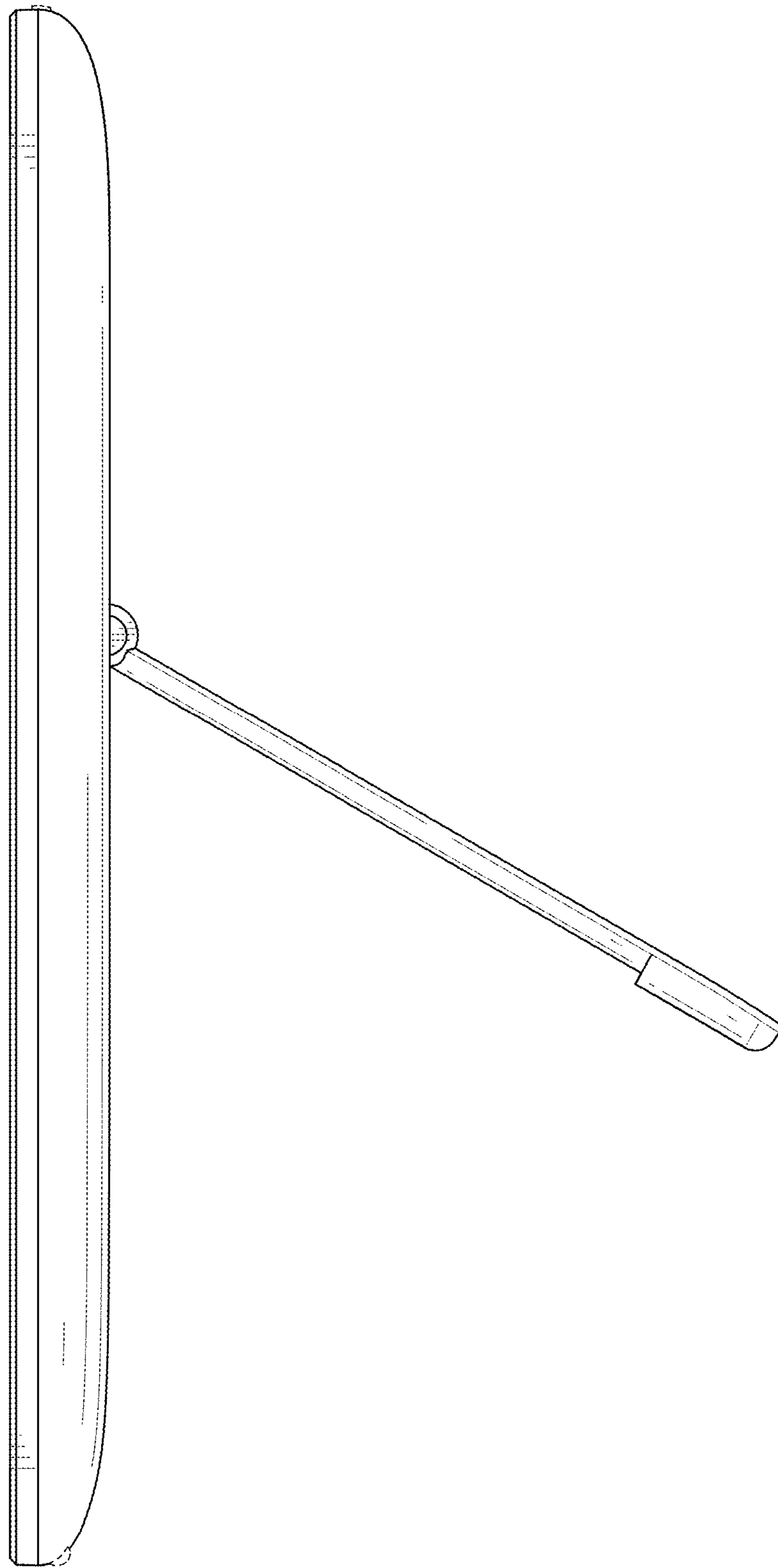


FIG. 6

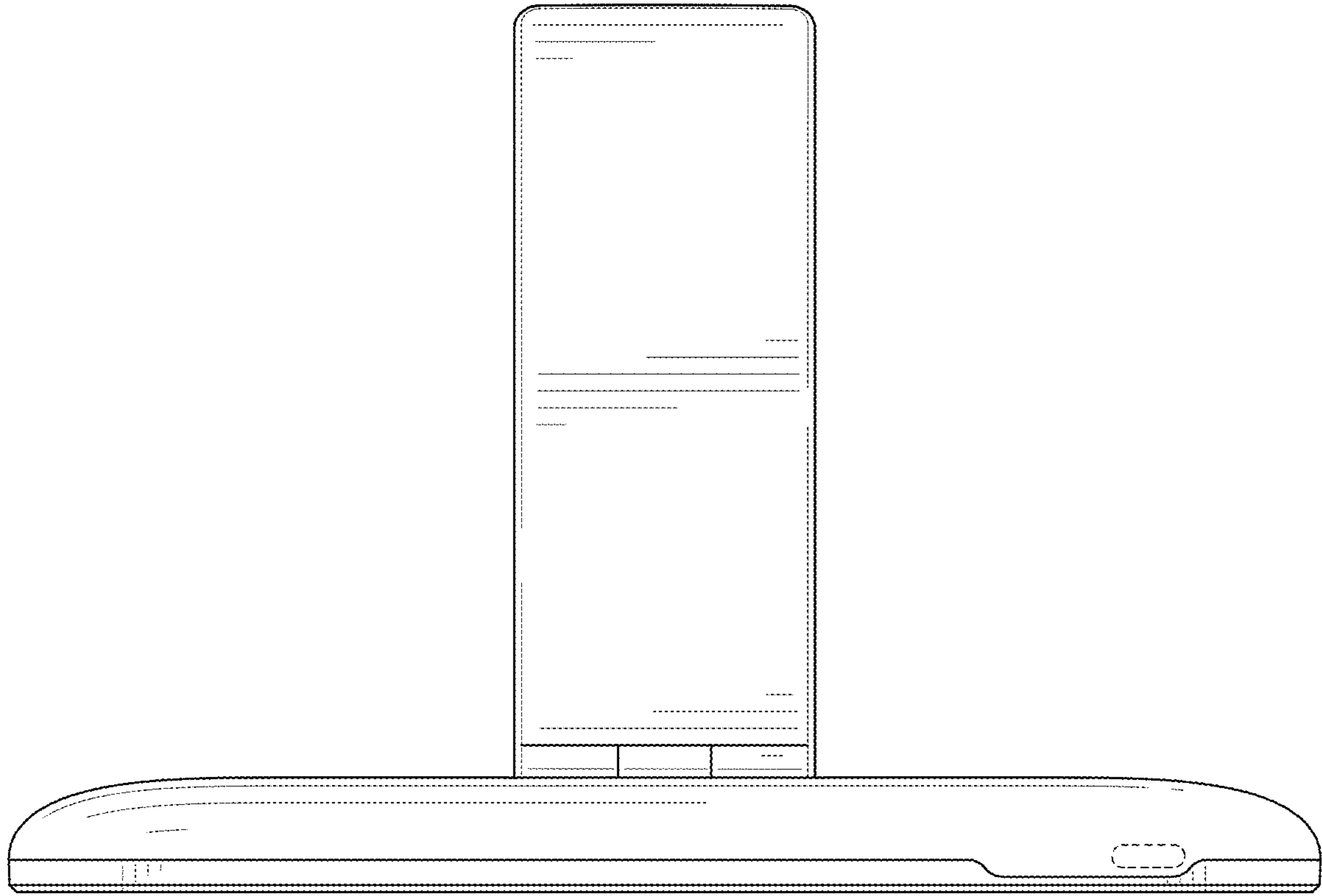


FIG. 7

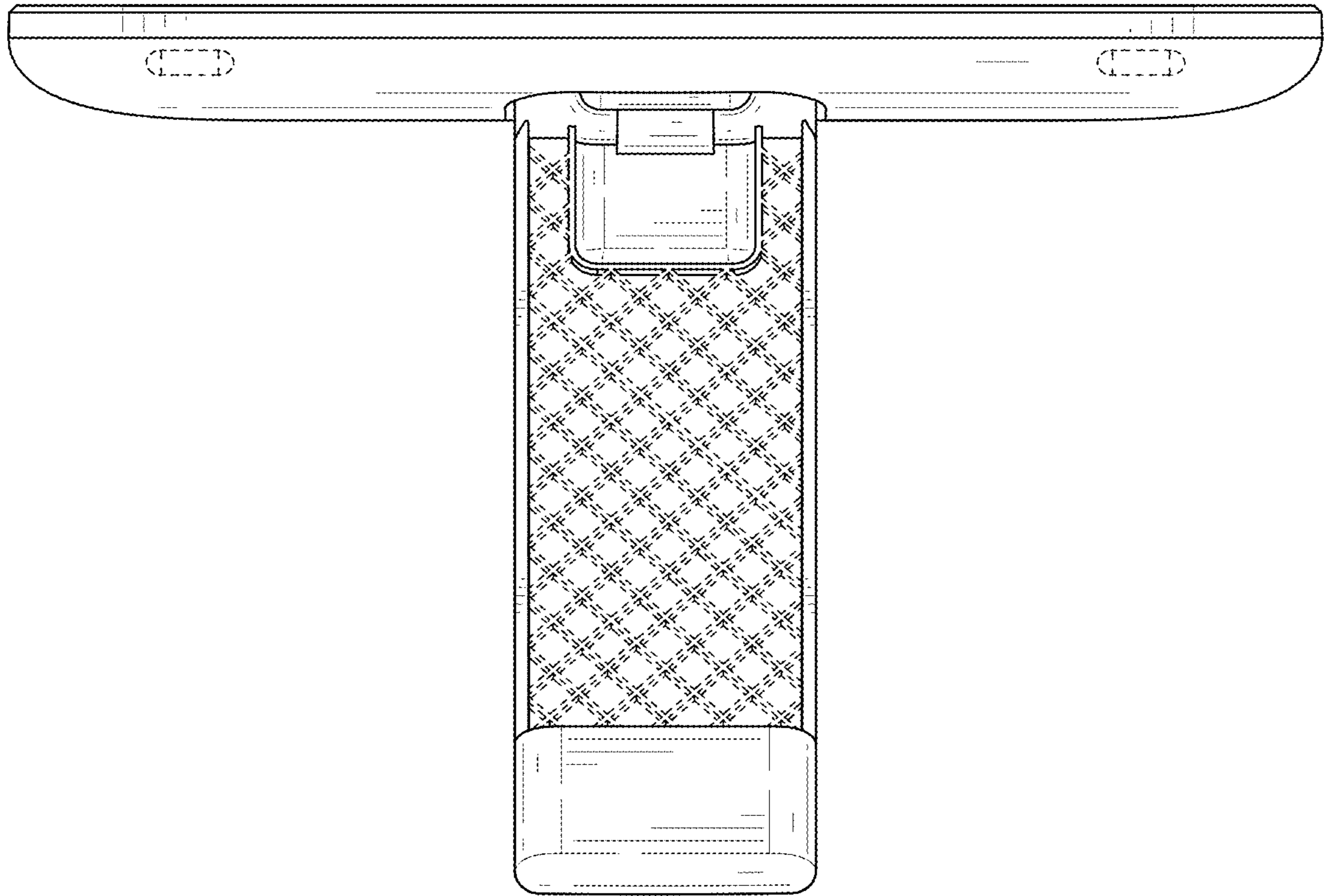


FIG. 8

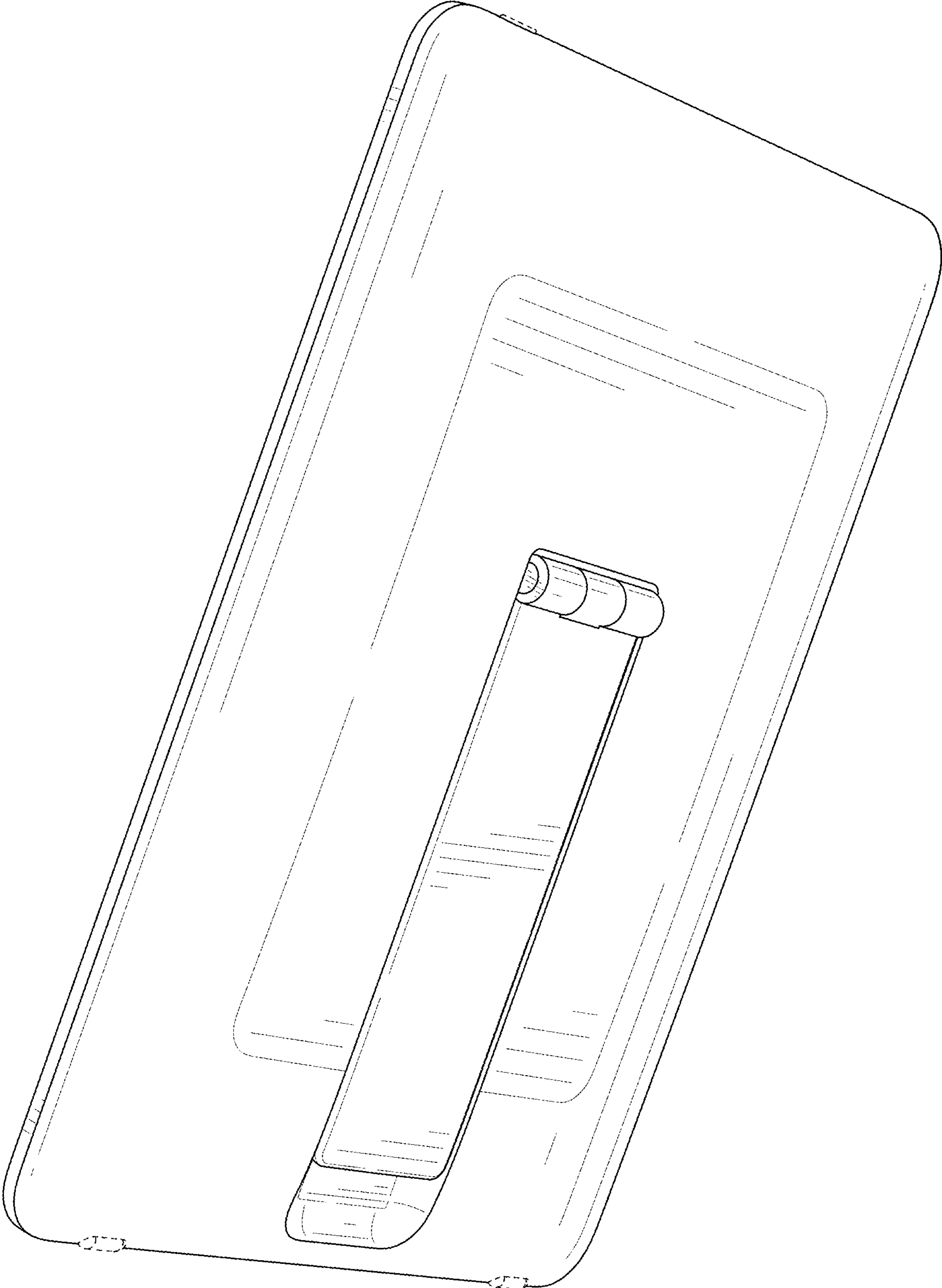


FIG. 9