



US00D953548S

(12) **United States Design Patent**
Tobias

(10) **Patent No.:** **US D953,548 S**

(45) **Date of Patent:** **** May 31, 2022**

(54) **MESSAGE BOARD**

(71) Applicant: **Kenneth A. Tobias**, Virginia Beach, VA (US)

(72) Inventor: **Kenneth A. Tobias**, Virginia Beach, VA (US)

(**) Term: **15 Years**

(21) Appl. No.: **29/733,442**

(22) Filed: **May 1, 2020**

(51) **LOC (13) Cl.** **24-01**

(52) **U.S. Cl.**

USPC **D24/200**; D24/215

(58) **Field of Classification Search**

USPC D24/215, 200, 211, 212, 213, 214, 107, D24/231, 183, 171; D6/601, 592; D21/809

CPC A61H 7/007; A61H 2201/1623; A61H 2205/081; A61H 2205/08; A61H 2205/04; A61H 1/0292; A61H 7/00; A61H 15/00; A61H 2015/0028; A61H 39/00; A61H 39/04; A61H 39/08; A61H 2203/0443; A61H 37/00; A61H 2015/0007; A63B 23/02; A63B 23/0233; A63B 2023/003; A63B 2023/006; A61N 5/0619

See application file for complete search history.

(56) **References Cited**

U.S. PATENT DOCUMENTS

- 4,030,729 A * 6/1977 Nathaniel E01C 13/107 472/90
- D435,295 S * 12/2000 Yoo D24/200
- D471,636 S * 3/2003 Yu D24/212
- 6,588,167 B2 * 7/2003 Chang B44C 3/123 52/302.1
- D810,465 S * 2/2018 Wah D6/592
- D853,150 S * 7/2019 Wah D6/592
- D878,104 S * 3/2020 Villano A63F 9/10 D6/592
- D882,100 S * 4/2020 Van D24/200

- 2012/0009377 A1* 1/2012 Dodge, III B32B 5/02 428/319.3
 - 2013/0291474 A1* 11/2013 Tillery E04F 15/22 29/428
 - 2017/0280908 A1* 10/2017 Huang A47G 27/025
- (Continued)

OTHER PUBLICATIONS

OrthoDon—Module Massage Game Mats for Kids. Date: Feb. 18, 2020. [online], [Site visited Feb. 11, 2022]. Available from Internet URL : <https://www.amazon.com/dp/B083Z2HZ7T/> (Year: 2020).*

(Continued)

Primary Examiner — Susan Bennett Hattan
Assistant Examiner — Landon Thomas Cassell

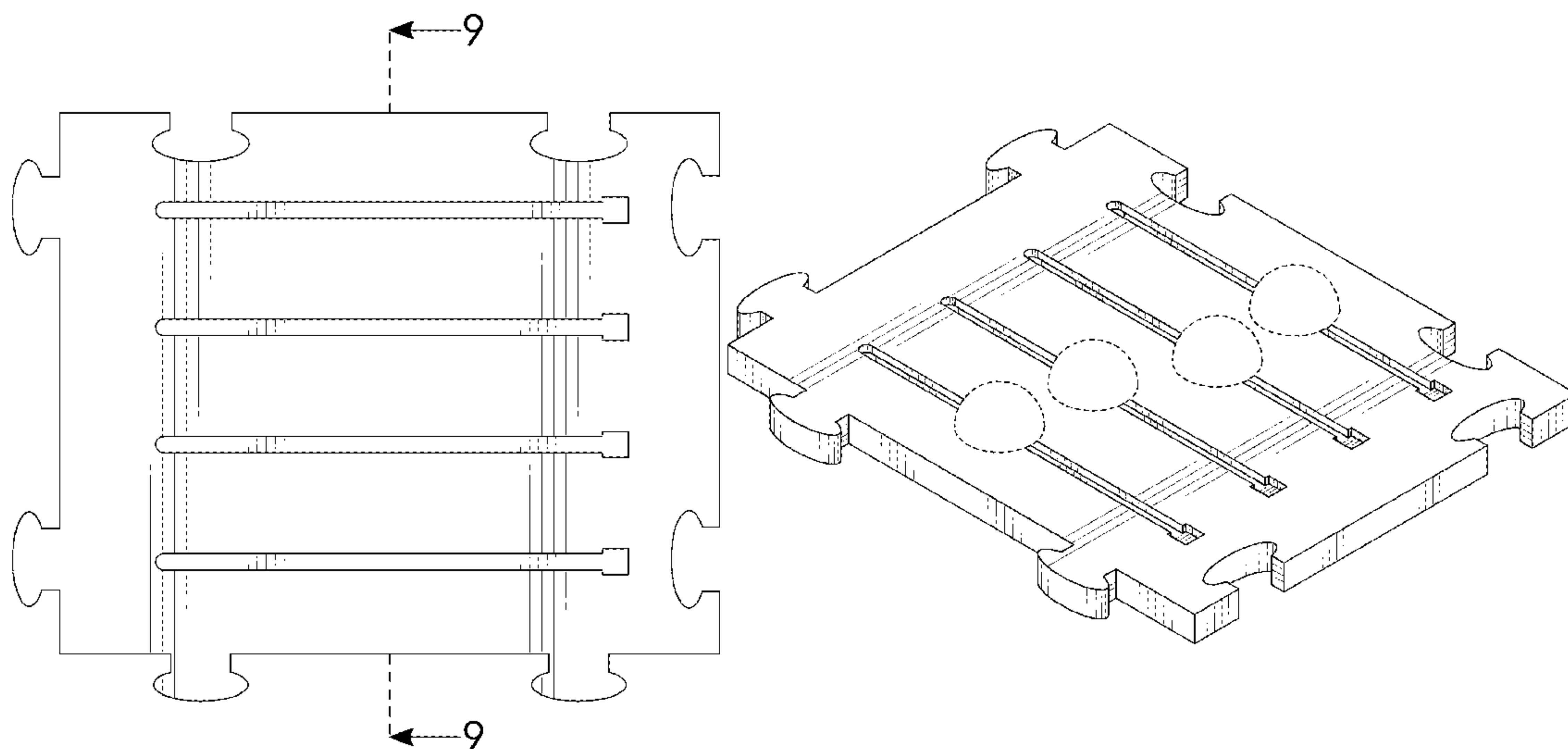
(57) **CLAIM**

The ornamental design for a massage board, as shown and described.

DESCRIPTION

FIG. 1 is a top-left-front perspective view of the massage board showing of my design;
 FIG. 2 is a bottom-right-rear perspective view thereof;
 FIG. 3 is a top plan view thereof;
 FIG. 4 is a bottom plan view thereof;
 FIG. 5 is a front elevational view thereof;
 FIG. 6 is a rear elevational view thereof;
 FIG. 7 is a left elevational view thereof;
 FIG. 8 is a right elevational view thereof;
 FIG. 9 is a cross-sectional view taken along line 9-9 in FIG. 3; and,
 FIG. 10 is a top-left-front perspective view of the massage board with cushions attached.
 The broken line showing of attached cushions in FIG. 10 is included for the purpose of illustrating environmental structure and forms no part of the claimed design.

1 Claim, 10 Drawing Sheets



(56)

References Cited

U.S. PATENT DOCUMENTS

2019/0380906 A1* 12/2019 Lin A61H 15/00

OTHER PUBLICATIONS

MQIAOHAM—baby play mat floor mats jigsaws. Date: Jan. 3, 2020. [online]. [Site visited Feb. 11, 2022]. Available from Internet URL: <https://www.amazon.com/dp/B07MC3KNMT/> (Year: 2020).*

Massage Mats. (Design—© Questel) orbit.com. [Online PDF compilation of references selected by examiner] 11 pgs. Print Dates Range Oct. 9, 2002-Dec. 19, 2014 [Retrieved Feb. 19, 2022] <https://www.orbit.com/export/UCZAH96B/pdf4/078ddbd0-fe15-411f-bdfa-f6bd976031aa-195003.pdf> (Year: 2022).*

* cited by examiner

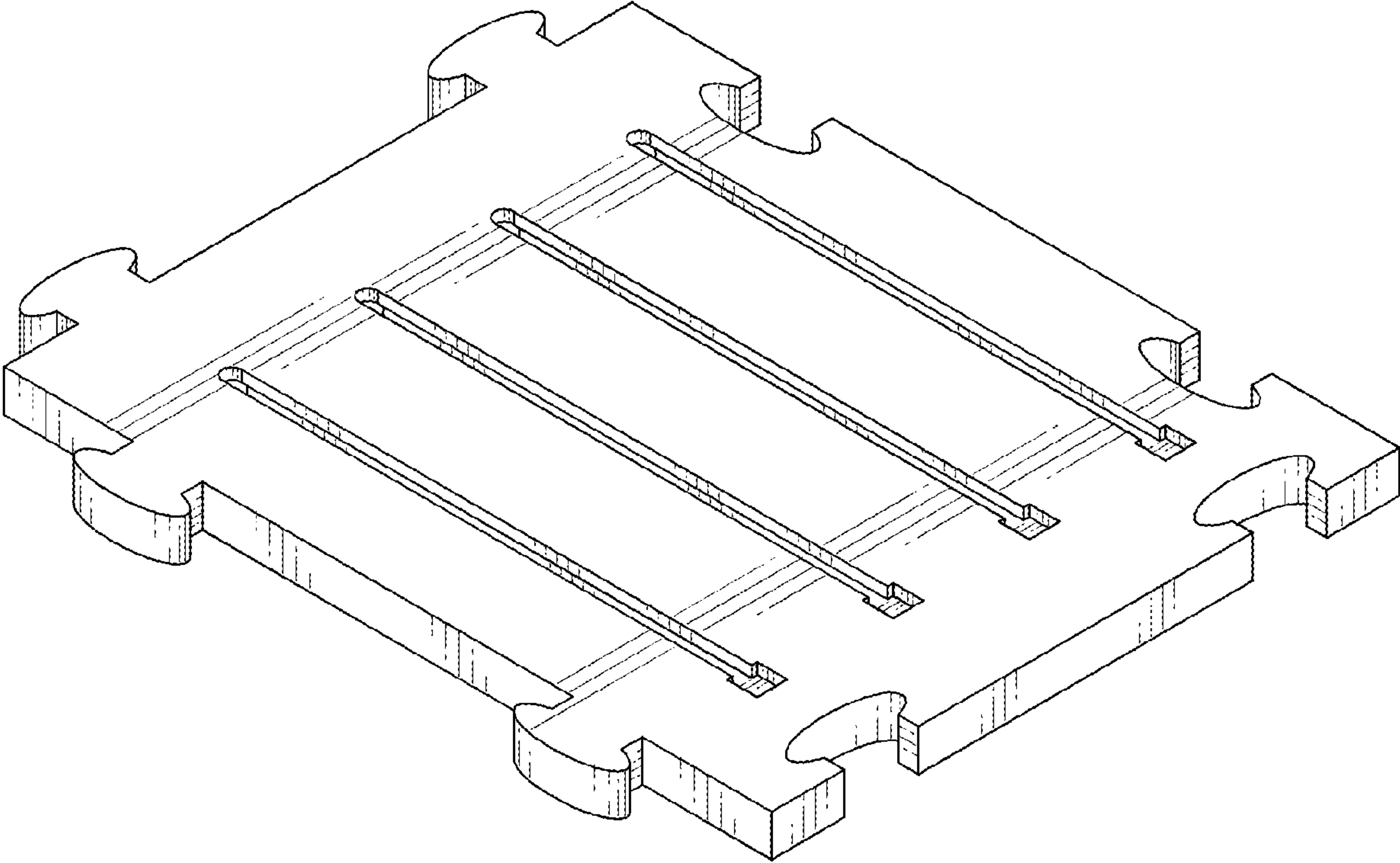


FIG. 1

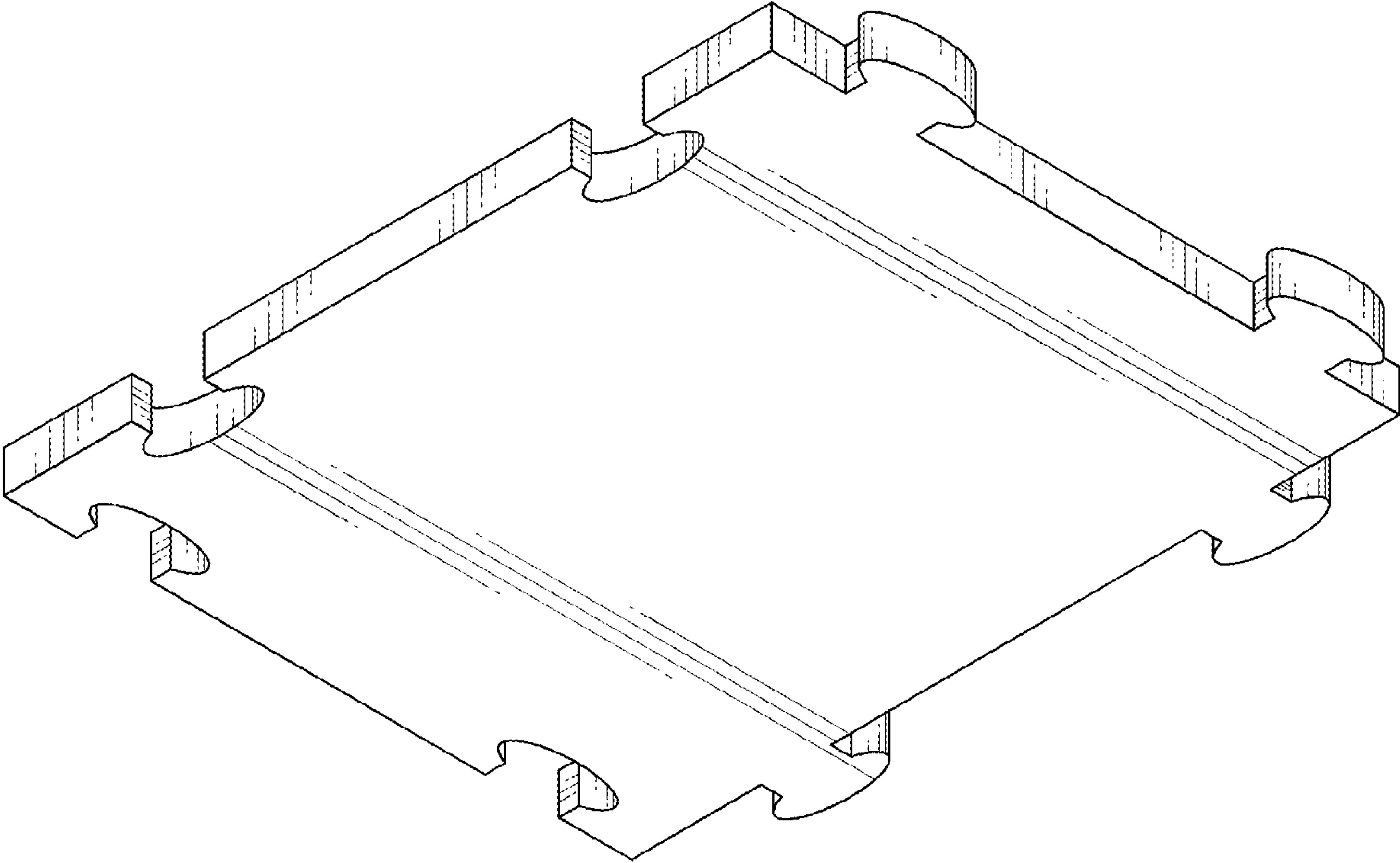


FIG. 2

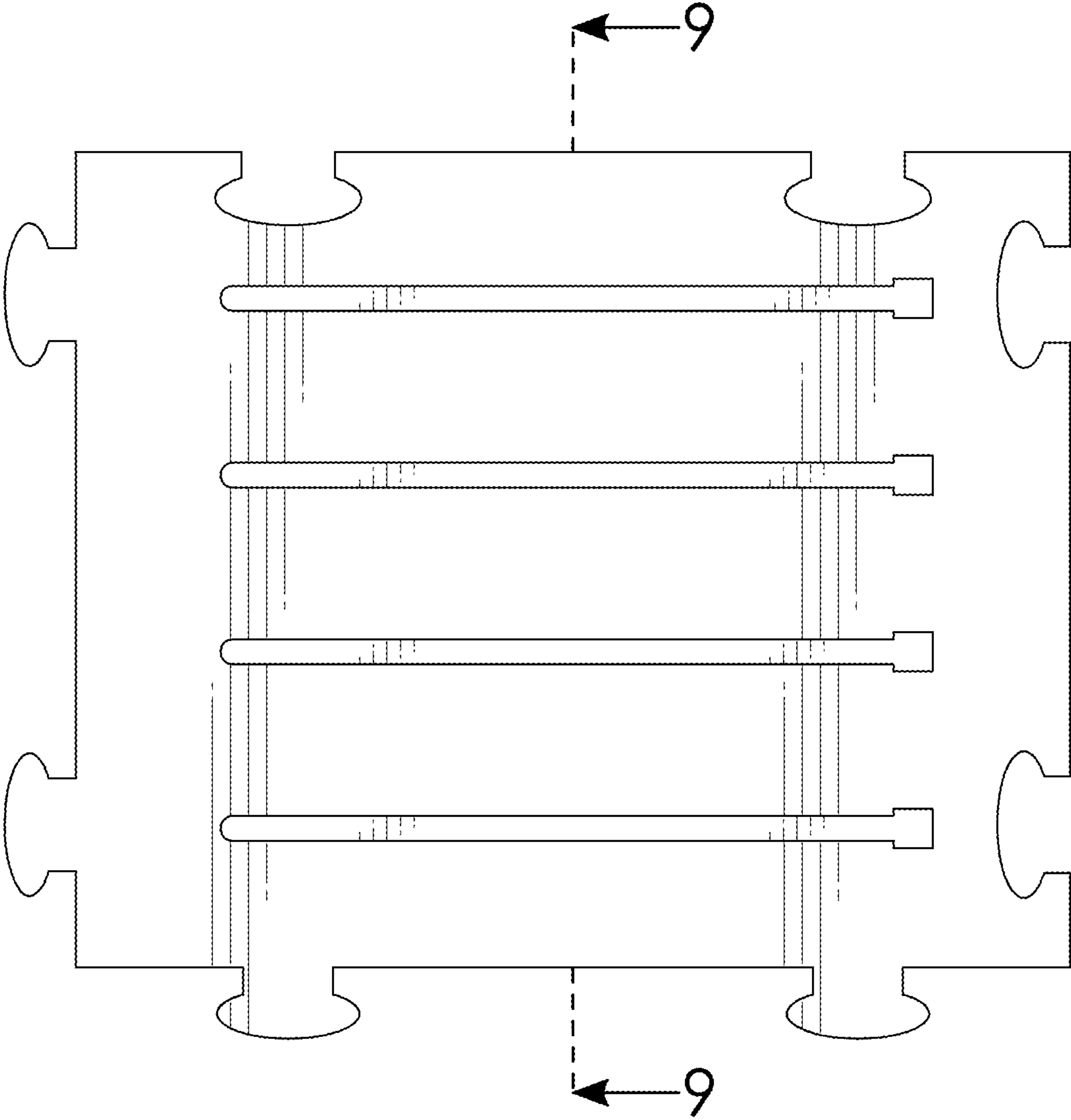


FIG. 3

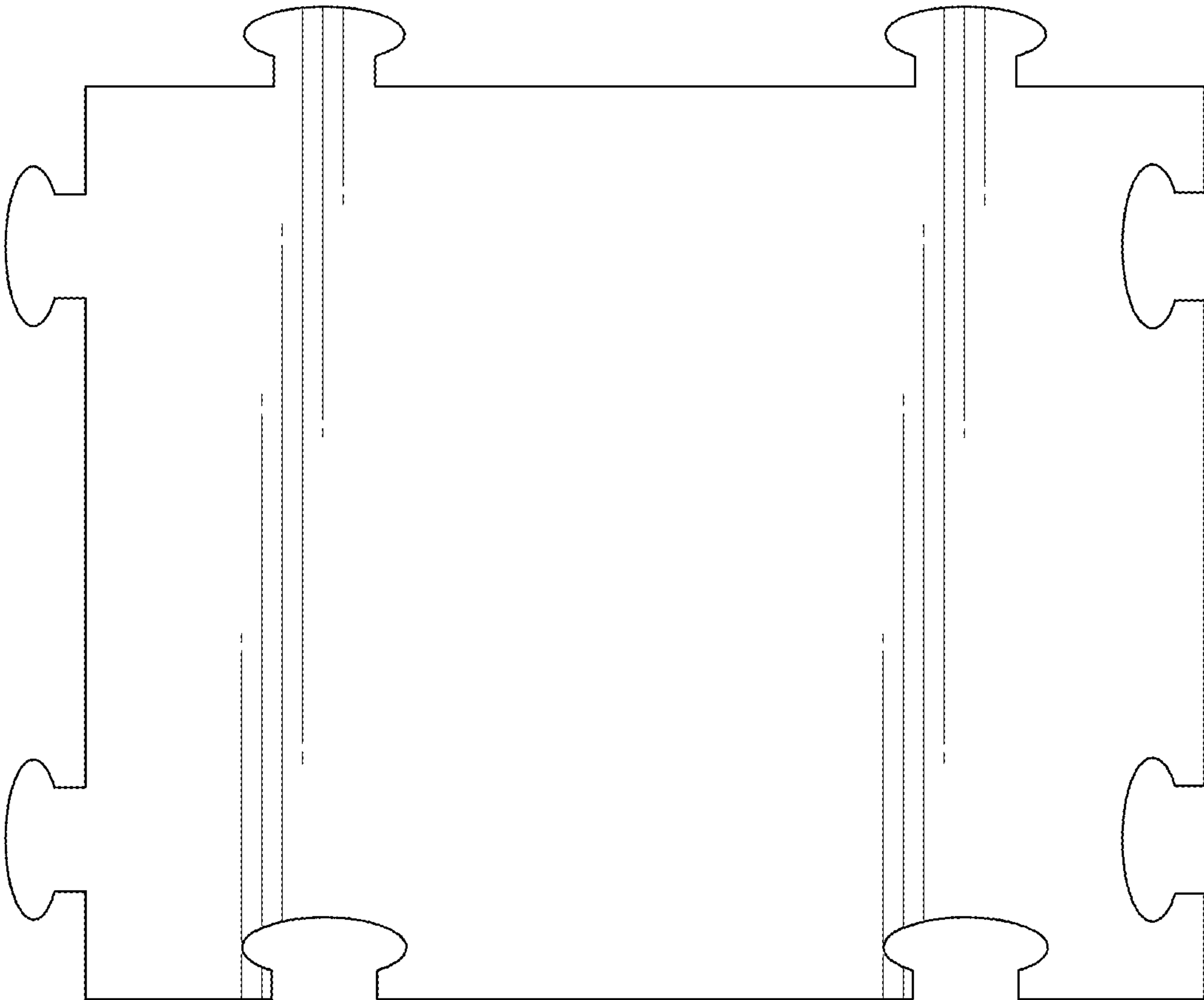


FIG. 4

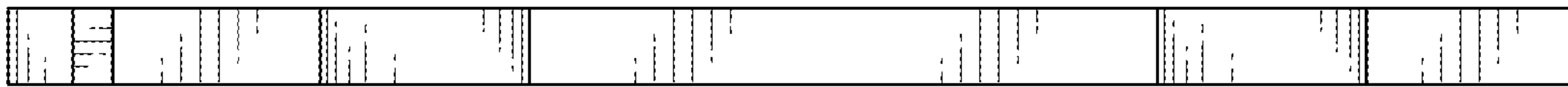


FIG. 5

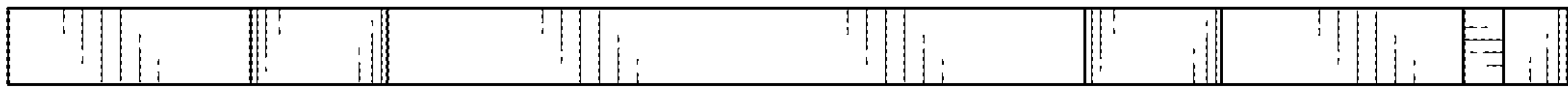


FIG. 6



FIG. 7

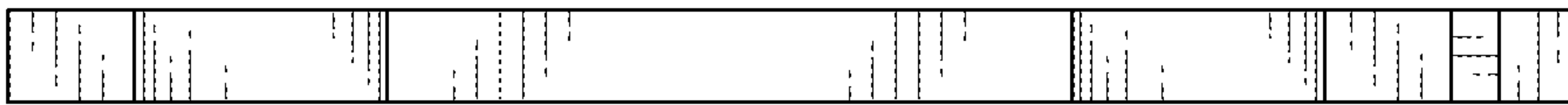


FIG. 8



FIG. 9

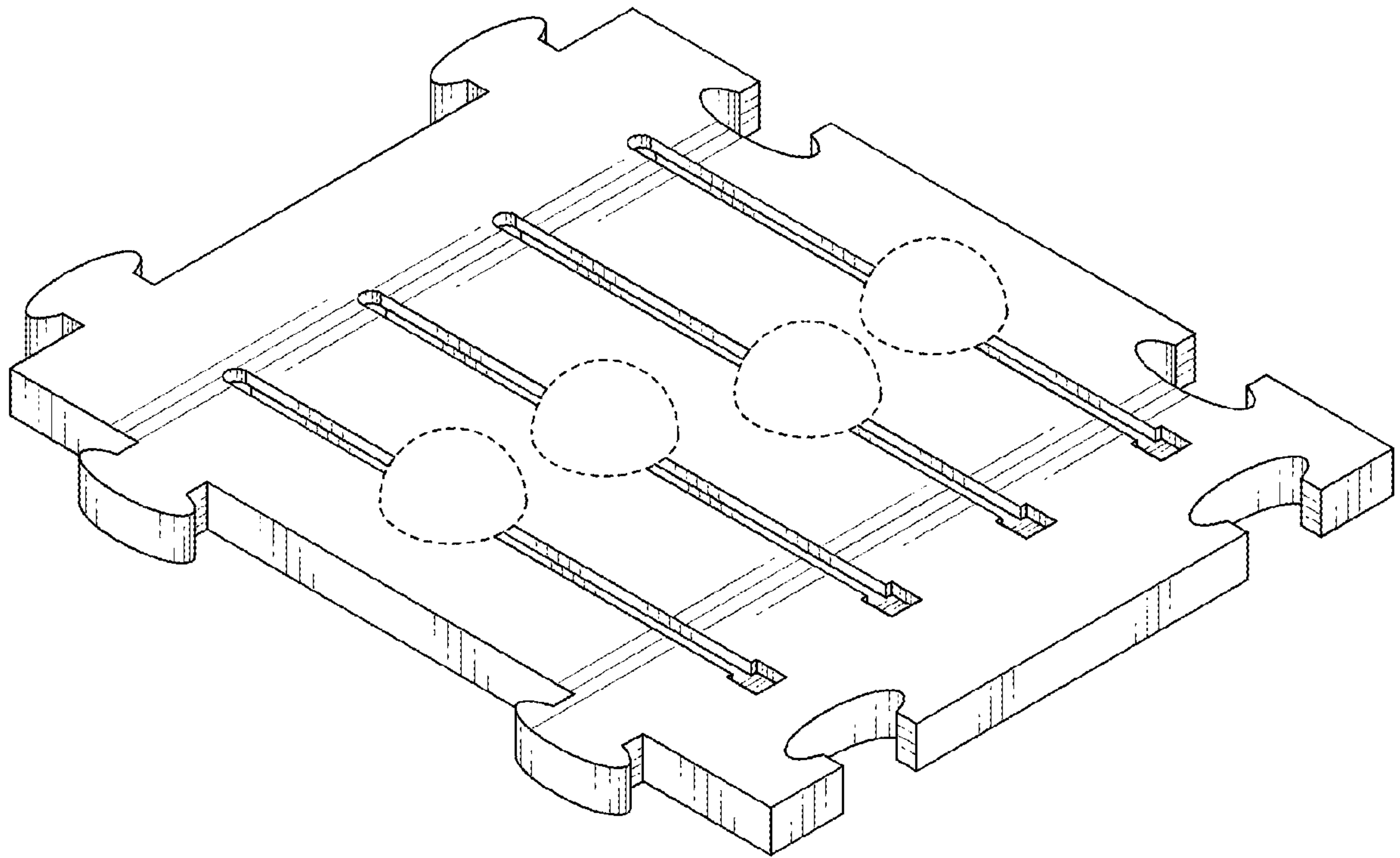


FIG. 10