



US00D953547S

(12) **United States Design Patent** (10) **Patent No.:** **US D953,547 S**
Park (45) **Date of Patent:** **** May 31, 2022**

(54) **PACIFIER**

(71) Applicant: **Seon-mi Park**, Namyangjoo-si (KR)

(72) Inventor: **Seon-mi Park**, Namyangjoo-si (KR)

(**) Term: **15 Years**

(21) Appl. No.: **29/748,383**

(22) Filed: **Aug. 28, 2020**

(51) **LOC (13) Cl.** **24-04**

(52) **U.S. Cl.**
USPC **D24/195**

(58) **Field of Classification Search**
USPC D24/115, 117, 193, 194, 195, 196, 214;
D30/160; D21/496, 576, 622, 625, 627,
D21/628, 650, 659
CPC A61J 17/001; A61J 17/02
See application file for complete search history.

(56) **References Cited**

U.S. PATENT DOCUMENTS

4,193,407	A *	3/1980	Edmark	A61J 17/001 606/234
D273,991	S *	5/1984	Moore	D24/194
D299,064	S *	12/1988	Berndt	D24/195
D303,839	S *	10/1989	Fitzpatrick	D24/194
D338,274	S *	8/1993	Chuang	D24/194
D359,123	S *	6/1995	Perrine	D24/194
D477,411	S *	7/2003	Kroepel	D24/194
D748,811	S *	2/2016	Lee	D24/194
9,770,394	B1 *	9/2017	Velazquez	A61J 17/109
D826,413	S *	8/2018	Eaton	D24/194
D907,786	S *	1/2021	Khersonenko	D24/195
2018/0104159	A1 *	4/2018	Bredemeier	B29C 43/42
2019/0290548	A1 *	9/2019	Evans	A61J 17/02

OTHER PUBLICATIONS

“Fromise: Silicone Baby Pacifier Smile/Heart”. Found online Sep. 29, 2021 at amazon.com. Reference dated Jan. 14, 2021. Retrieved

from <https://www.amazon.com/Fromise-Silicone-Pacifier-Cashmere-Individual/dp/B08NQ1W4R1/>.
* “Philips Avent: Newborn Pacifier”. Found online Sep. 29, 2020 at amazon.com. Reference dated Sep. 9, 2012. Retrieved from <http://www.amazon.com/Philips-AVENT-Soothie-Pacifier-Months/dp/B004516IAO/>.
* “Fred & Friends: The Chill Baby Artiste Pacifier”. Found online Jul. 28, 2016 at wavy.com. Reference dated Feb. 2, 2014. Retrieved from <http://wavy.com/2014/02/02/pacifiers-recalled-over-risk-that-baby-could-choke/>.
* “ADISC.org: Thread—Guide to Pacifiers”. Found online Dec. 6, 2016 at adisc.org. Reference dated Mar. 3, 2014. Retrieved from <http://www.adisc.org/forum/showthread.php/83336-Guide-to-Pacifiers>.*

* cited by examiner

Primary Examiner — Kendra Leslie Hamilton
(74) *Attorney, Agent, or Firm* — Sughrue Mion, PLLC

(57) **CLAIM**

The ornamental design for a pacifier, as shown and described.

DESCRIPTION

FIG. 1 is a front, top, right perspective view of a pacifier, showing my new design;
FIG. 2 is a front elevation view thereof;
FIG. 3 is a rear elevation view thereof;
FIG. 4 is a left side elevation view thereof, wherein the right side elevation view is a mirror image thereof;
FIG. 5 is a top plan view thereof; and,
FIG. 6 is a bottom view thereof.

The equal-length broken lines in the drawings depict portions of the pacifier that form no part of the claimed design.

1 Claim, 6 Drawing Sheets

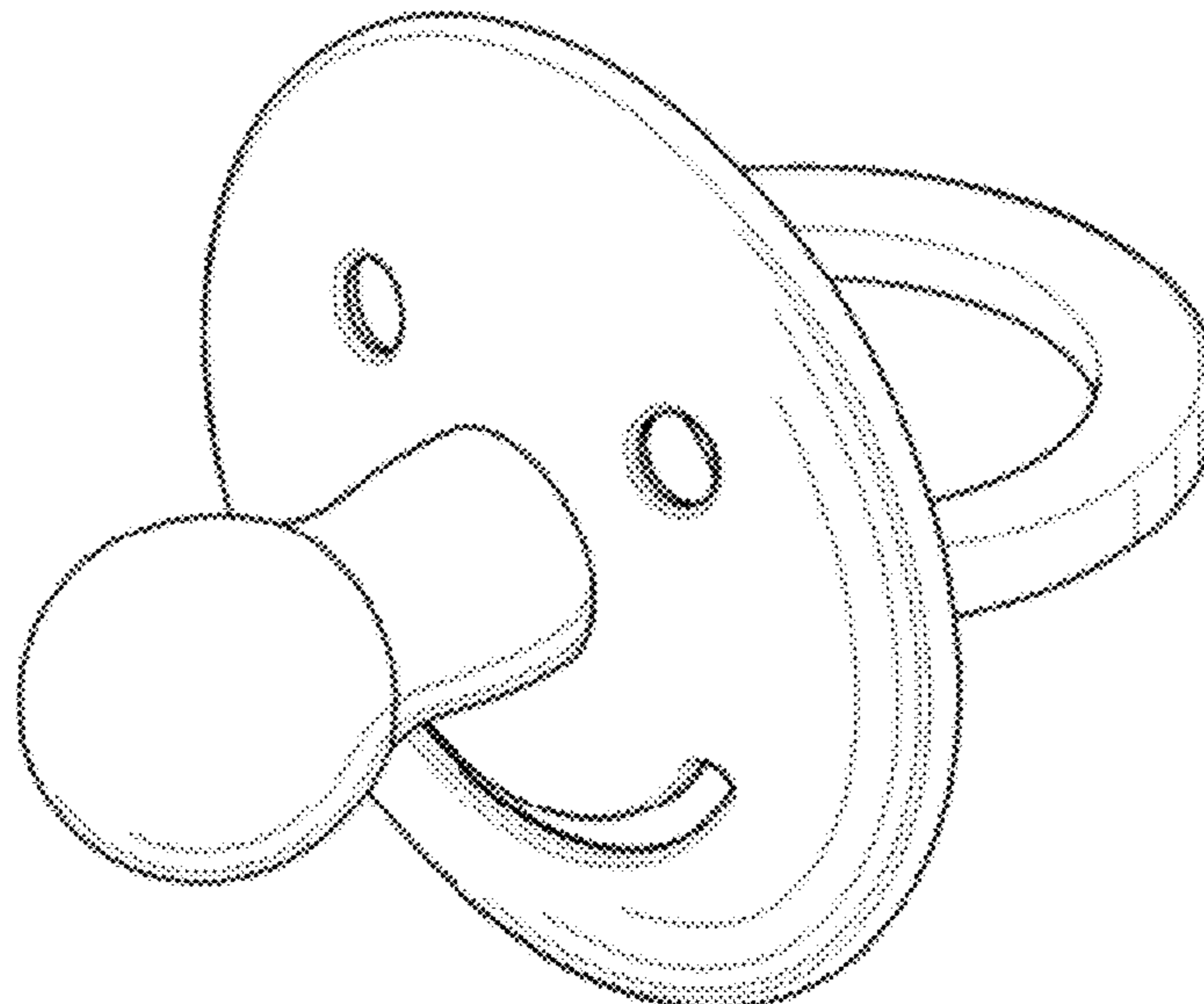


FIG. 1

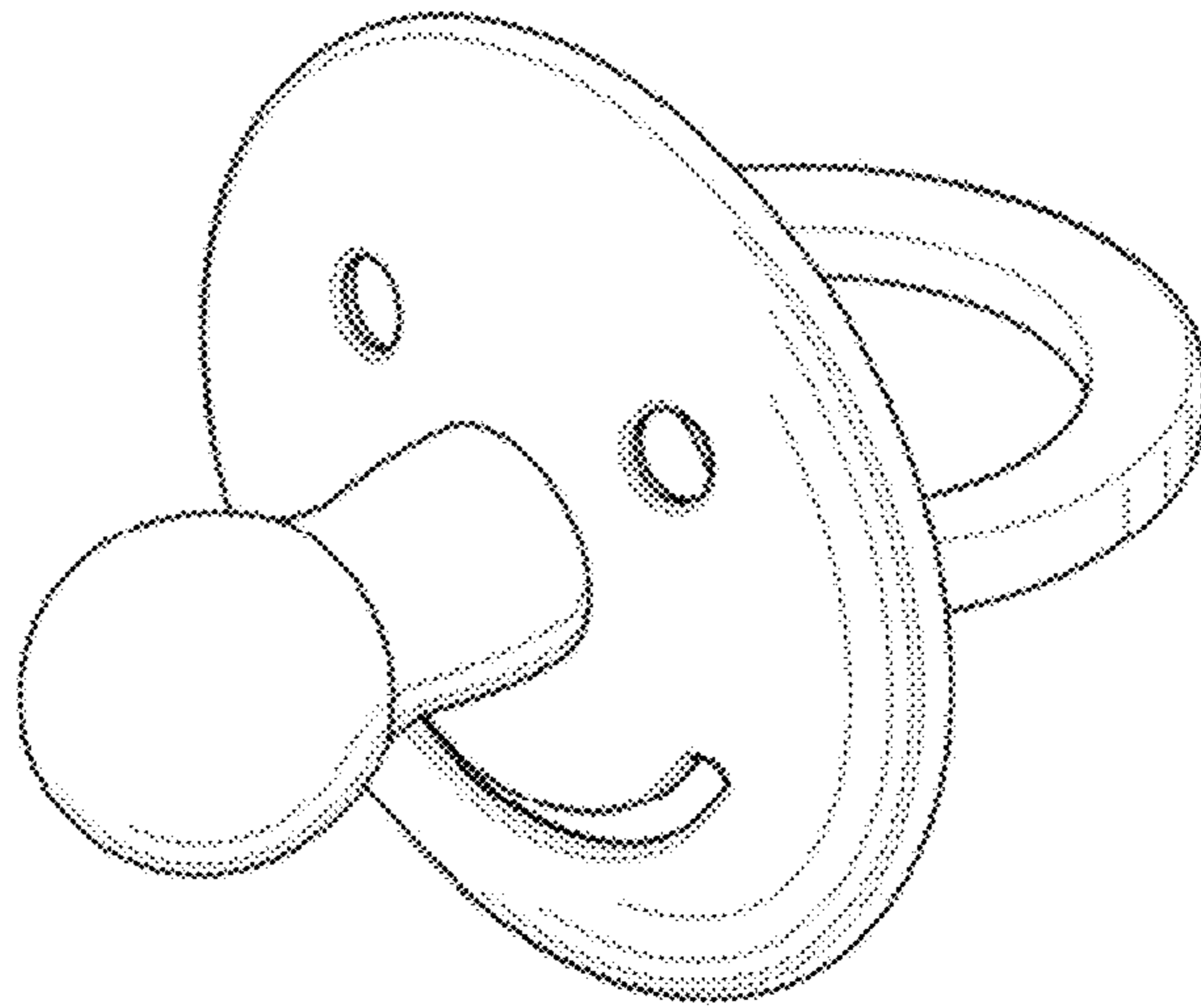


FIG. 2

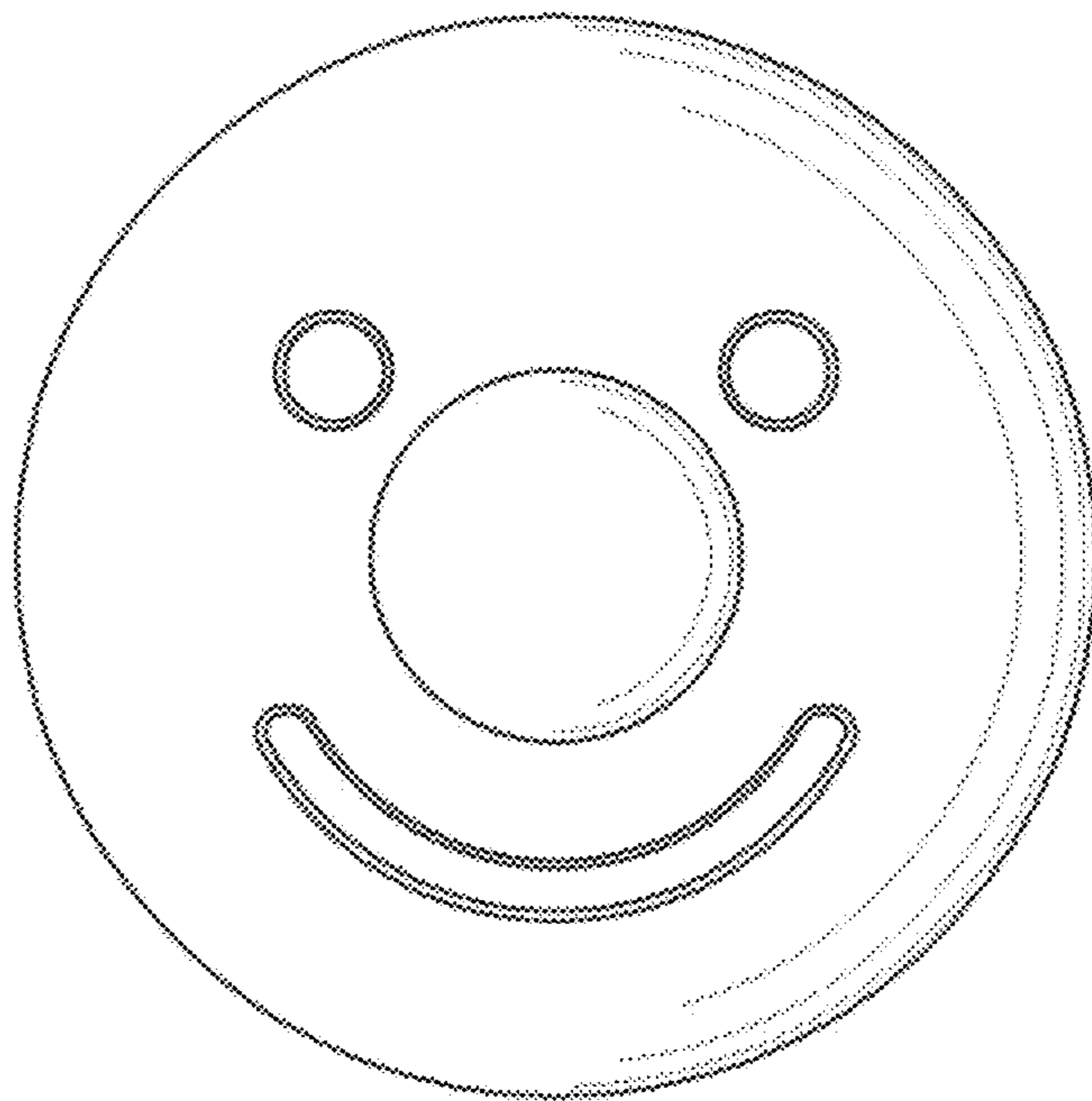


FIG. 3

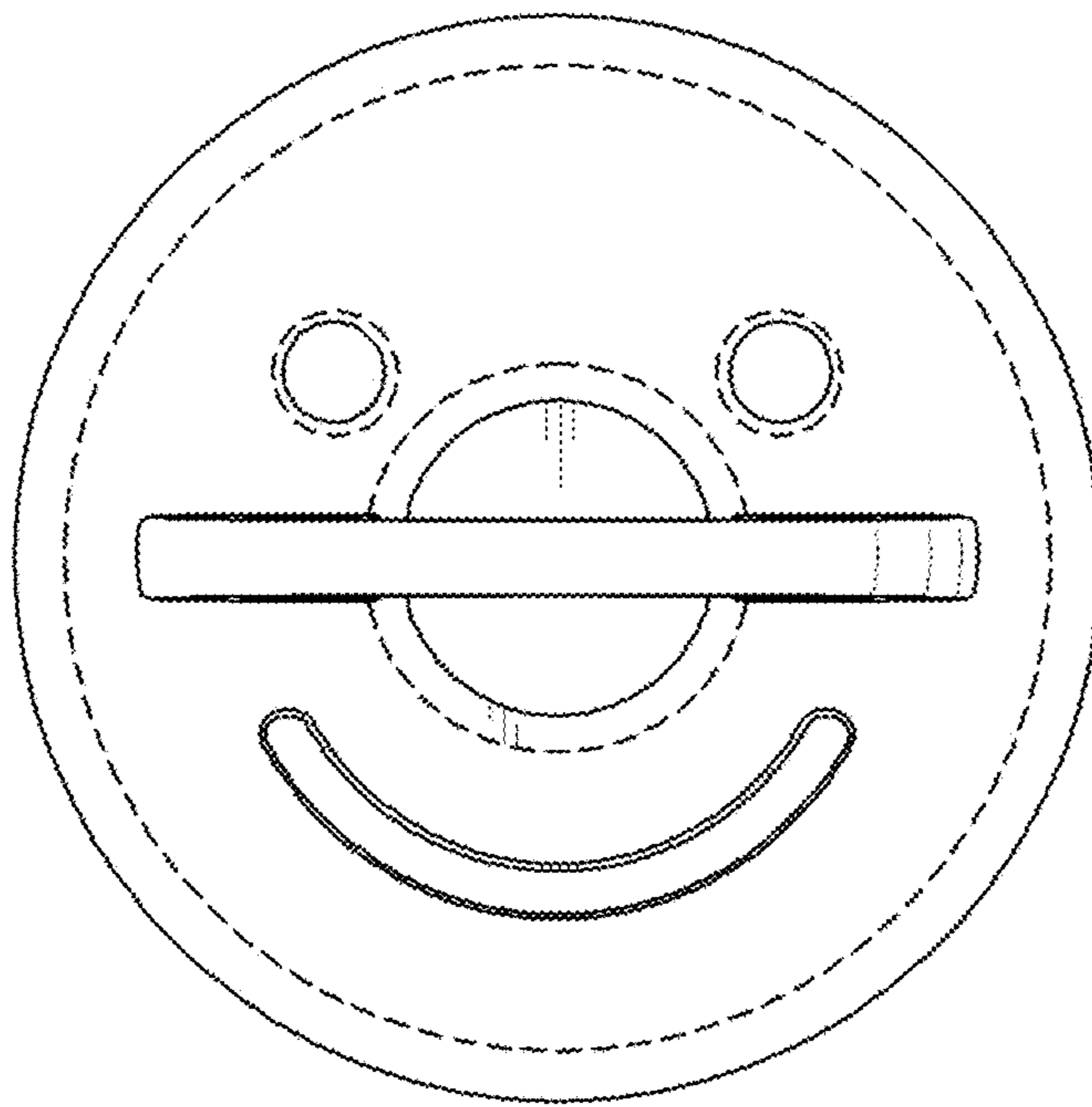


FIG. 4

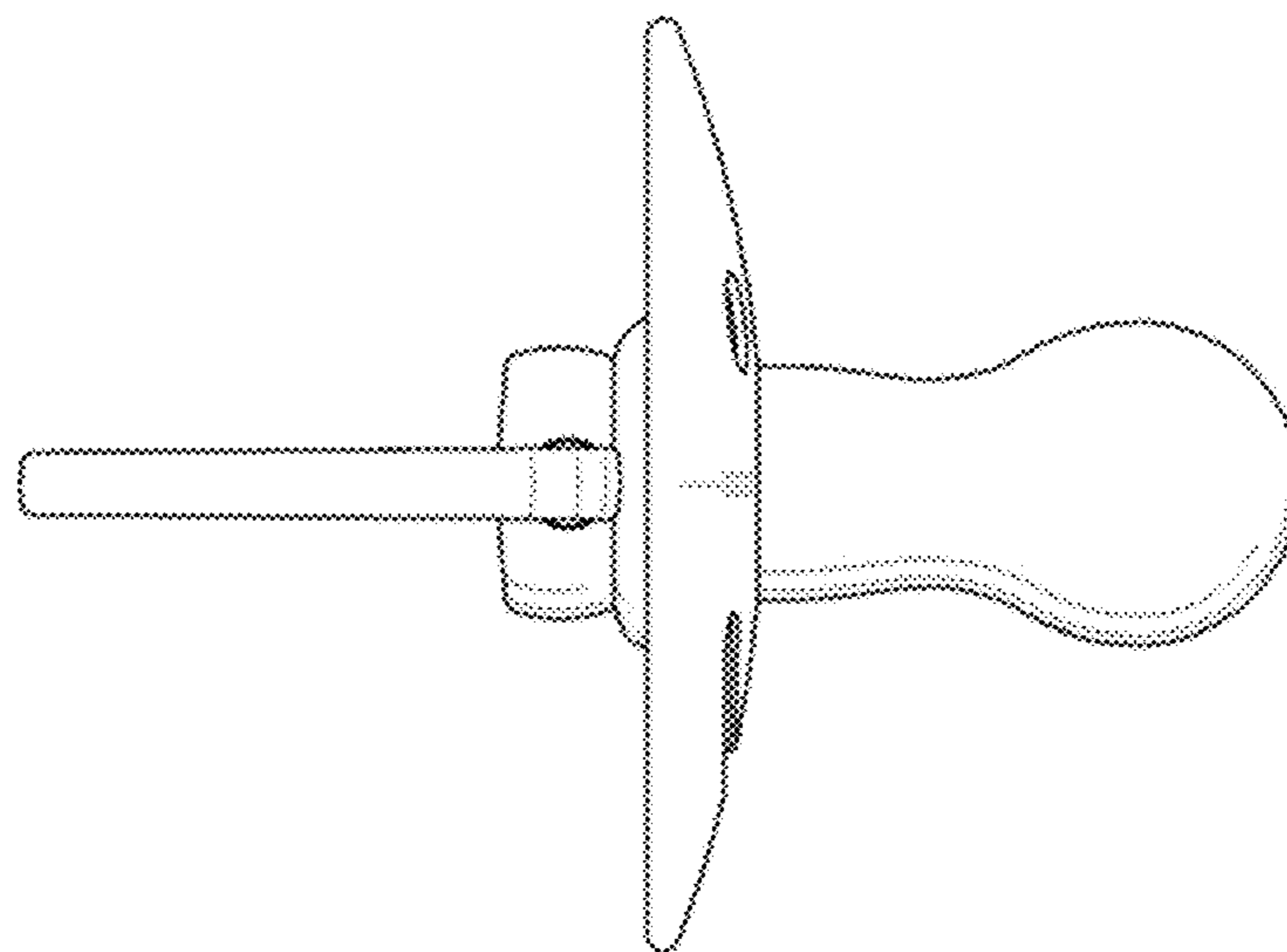


FIG. 5

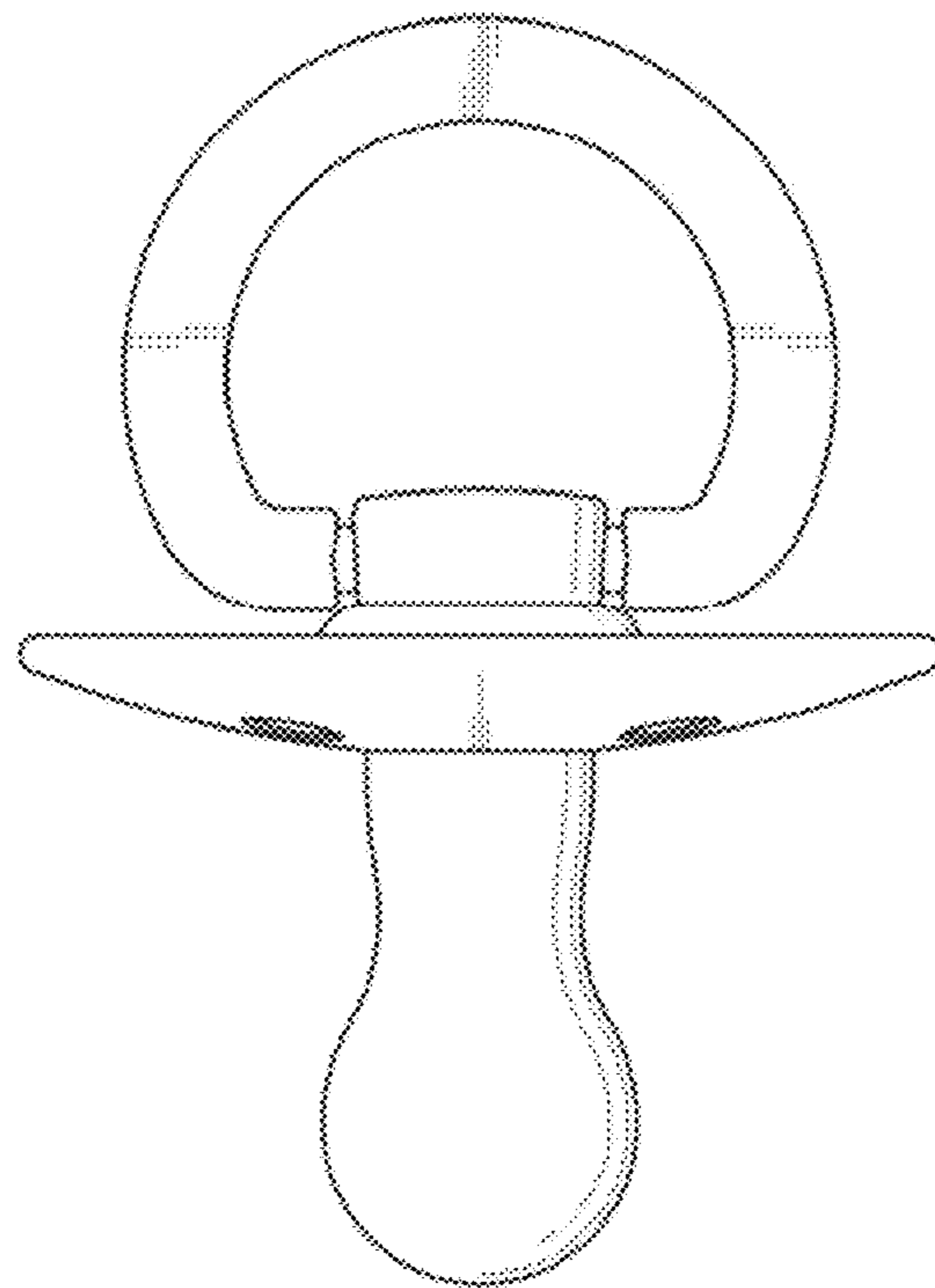


FIG. 6

