



US00D953542S

(12) **United States Design Patent** (10) **Patent No.:** **US D953,542 S**
Seki (45) **Date of Patent:** **** May 31, 2022**

(54) **BIOSIGNAL DETECTOR**
(71) Applicant: **MELTIN MMI CO., LTD.**, Tokyo (JP)
(72) Inventor: **Tatsuya Seki**, Tokyo (JP)
(73) Assignee: **MELTIN MMI CO., LTD.**, Tokyo (JP)
(**) Term: **15 Years**
(21) Appl. No.: **29/774,082**
(22) Filed: **Mar. 14, 2021**

Related U.S. Application Data

(62) Division of application No. 29/677,936, filed on Jan. 24, 2019, now Pat. No. Des. 917,702, which is a
(Continued)

(30) **Foreign Application Priority Data**

Jan. 16, 2017 (JP) 2017-000575
Jan. 16, 2017 (JP) 2017-000576
Jan. 16, 2017 (JP) 2017-000577
Jan. 16, 2017 (JP) 2017-000578
Jan. 16, 2017 (JP) 2017-000579
Jan. 16, 2017 (JP) 2017-000580
Jan. 16, 2017 (JP) 2017-000581
Jan. 16, 2017 (JP) 2017-000582

(Continued)

(51) **LOC (13) Cl.** **24-02**

(52) **U.S. Cl.**
USPC **D24/186**

(58) **Field of Classification Search**
USPC D24/186, 187, 200

(Continued)

(56) **References Cited**

U.S. PATENT DOCUMENTS

D578,221 S 10/2008 Sakurai
D578,222 S 10/2008 Sakurai

(Continued)

Primary Examiner — Eliza Z Harvey
(74) *Attorney, Agent, or Firm* — Renner, Otto, Boisselle & Sklar, LLP

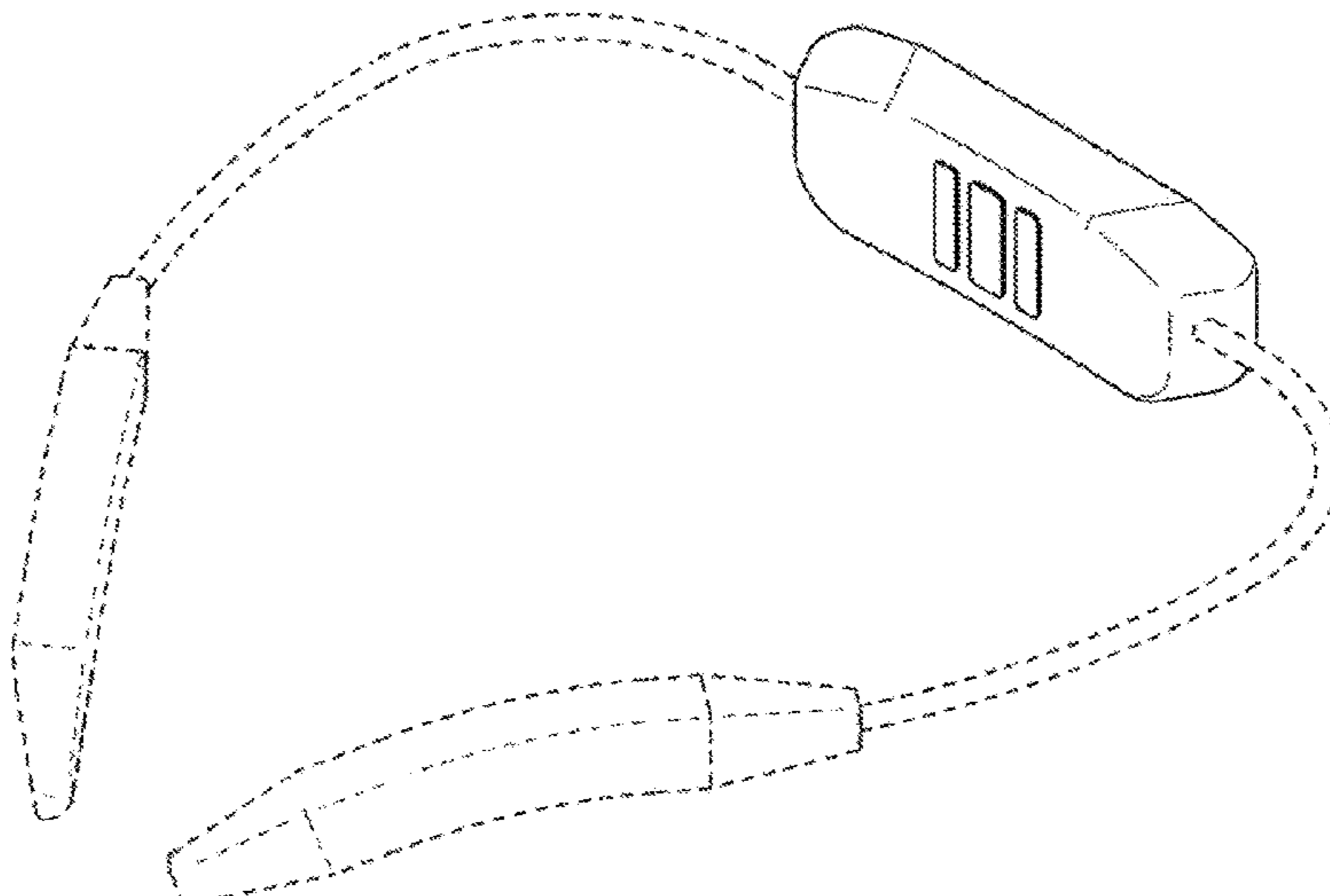
(57) **CLAIM**

The ornamental design for a biosignal detector, as shown and described.

DESCRIPTION

FIG. 1: Perspective
FIG. 2: Perspective
FIG. 3: Front
FIG. 4: Back
FIG. 5: Right
FIG. 6: Left
FIG. 7: Top
FIG. 8: Bottom
FIG. 9: Partial enlarged view of FIG. 1
FIG. 10: Reference view—electrodes
FIG. 11: Reference view of state in use
FIG. 12: Perspective
FIG. 13: Perspective
FIG. 14: Front
FIG. 15: Back
FIG. 16: Right
FIG. 17: Left
FIG. 18: Top
FIG. 19: Bottom
FIG. 20: Partial enlarged view of FIG. 12
FIG. 21: Reference view—electrodes; and,
FIG. 22: Reference view of state in use.
The solid lines form part of the claimed designs; the broken lines are for illustrative purposes only and form no part of the claimed designs.

1 Claim, 22 Drawing Sheets



Related U.S. Application Data

division of application No. 35/504,324, filed on Jul. 14, 2017 (U.S. filing date under 35 U.S.C. 384), and having an international filing date of Jul. 14, 2017, now Pat. No. Des. 853,569.

D752,236 S	3/2016	Guarraia	
D752,766 S	3/2016	Guarraia	
D753,316 S	4/2016	Guarraia	
D756,959 S	5/2016	Lee	
D768,024 S	10/2016	Dayal	
D795,110 S	8/2017	Takizawa	
D796,051 S	8/2017	Ruffini	
D796,683 S	9/2017	Smeros	
D797,296 S	9/2017	Dehollander	
D800,089 S	10/2017	Park	
9,981,127 B2	5/2018	Guarraia	
D827,143 S	8/2018	Dayal	
D832,812 S	11/2018	Fyrlund	
10,317,939 B2	6/2019	Fukuda	
D853,569 S	7/2019	Seki	
D853,987 S	7/2019	Kelley	
D878,326 S	3/2020	Kiang	
D879,743 S	3/2020	Lee	
D881,848 S	4/2020	Kolton	
D917,702 S *	4/2021	Seki	D24/186
D917,703 S *	4/2021	Seki	D24/186
2012/0314351 A1	12/2012	Kroupa	
2013/0096641 A1	4/2013	Strother	
2013/0115579 A1	5/2013	Taghavi	
2013/0156248 A1	6/2013	Nakajima	
2013/0190678 A1	7/2013	Andreas	
2013/0256345 A1	10/2013	Larkin	
2013/0274583 A1	10/2013	Heck	
2015/0196101 A1	7/2015	Sayal	
2016/0098138 A1	4/2016	Park	
2020/0046284 A1 *	2/2020	Seki	A61B 5/7264

(30) **Foreign Application Priority Data**

Jan. 16, 2017	(JP)	2017-000583
Jan. 16, 2017	(JP)	2017-000584
Jan. 16, 2017	(JP)	2017-000585
Jan. 16, 2017	(JP)	2017-000586
Jan. 16, 2017	(JP)	2017-000587

(58) **Field of Classification Search**

CPC A61B 5/0478
See application file for complete search history.

(56) **References Cited**

U.S. PATENT DOCUMENTS

D585,557 S	1/2009	Sakurai
D721,673 S	1/2015	Park
D743,933 S	11/2015	Park
9,232,366 B1	1/2016	Charlier
D750,264 S	2/2016	Guarraia
D750,794 S	3/2016	Guarraia
D751,214 S	3/2016	Guarraia
D751,722 S	3/2016	Guarraia

* cited by examiner

FIG. 1

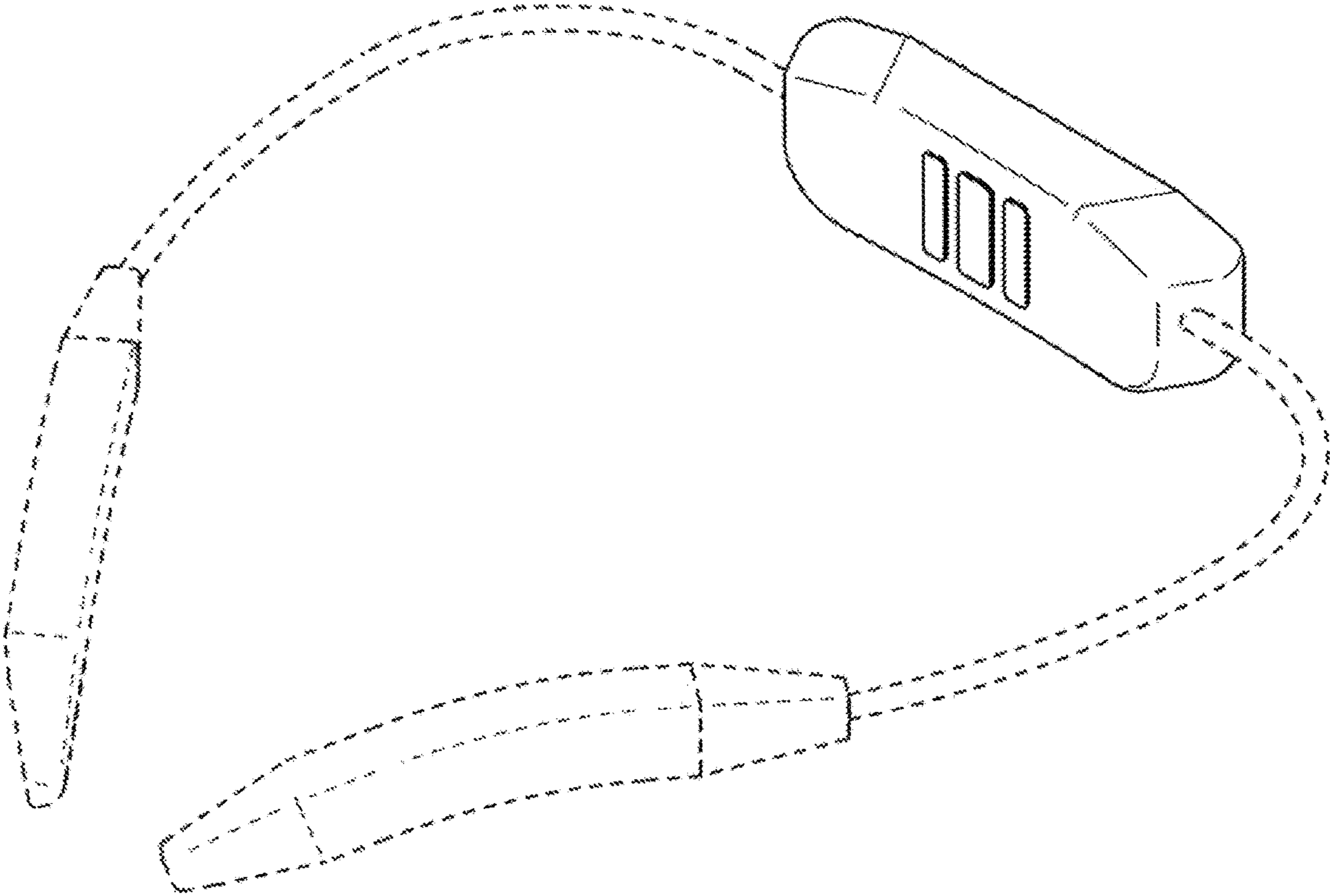


FIG. 2

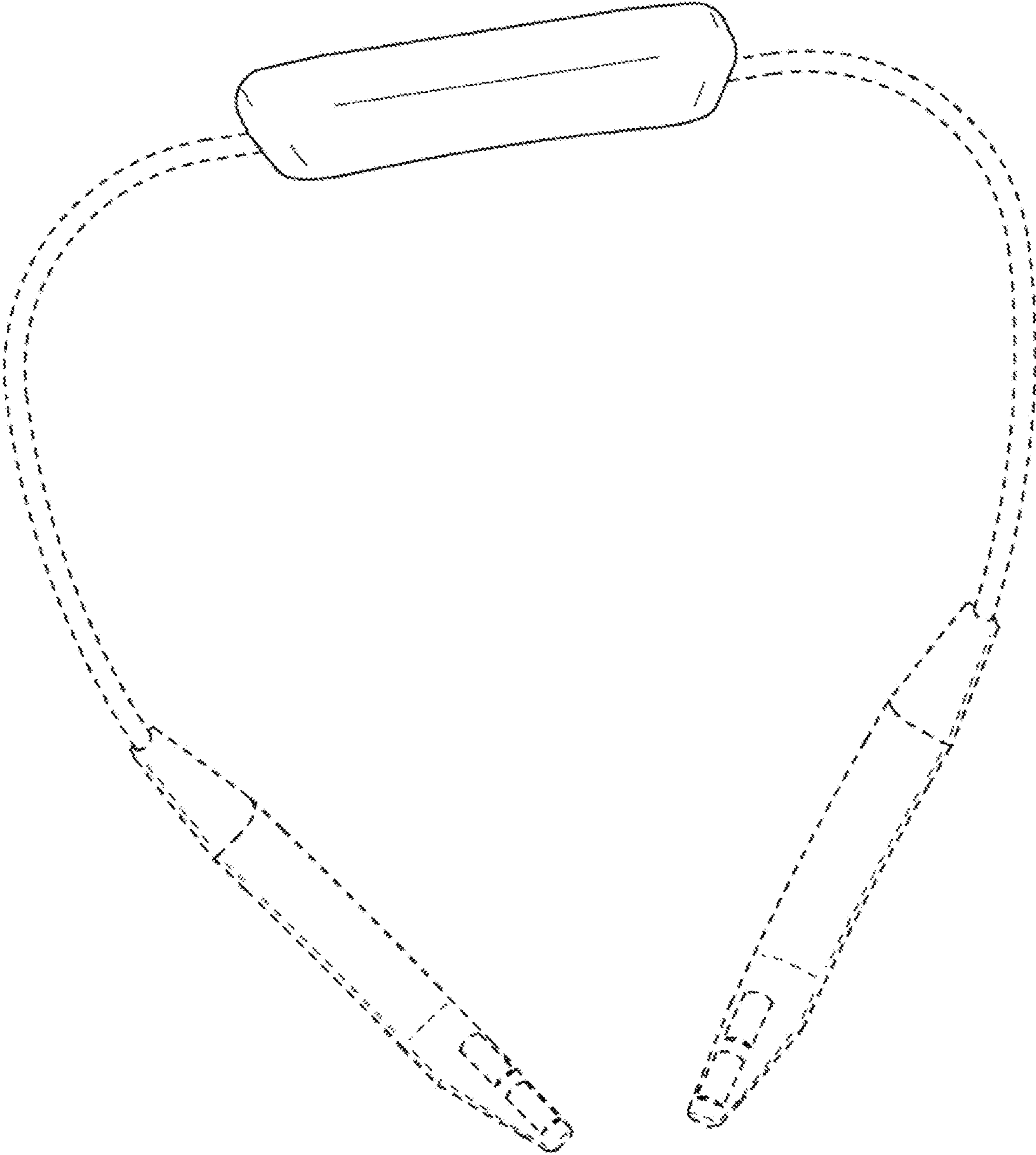


FIG. 3

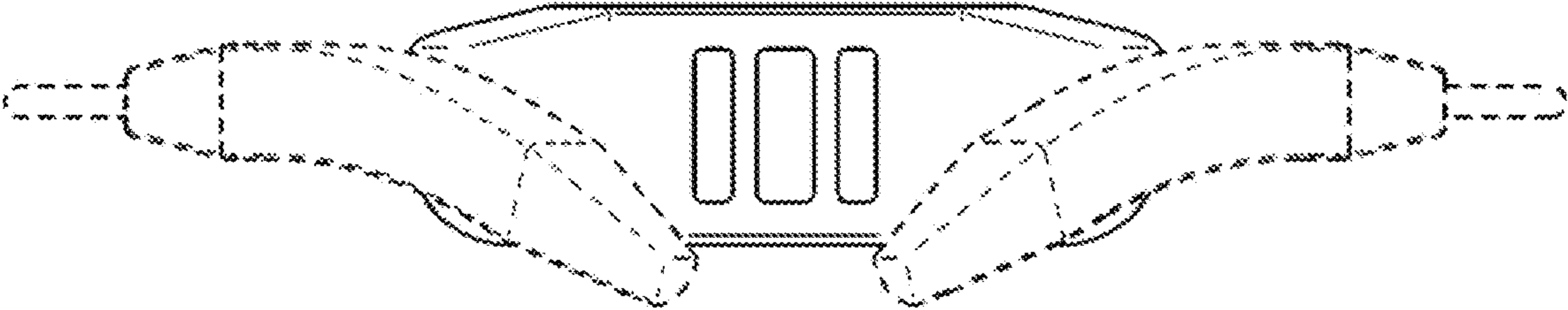


FIG. 4

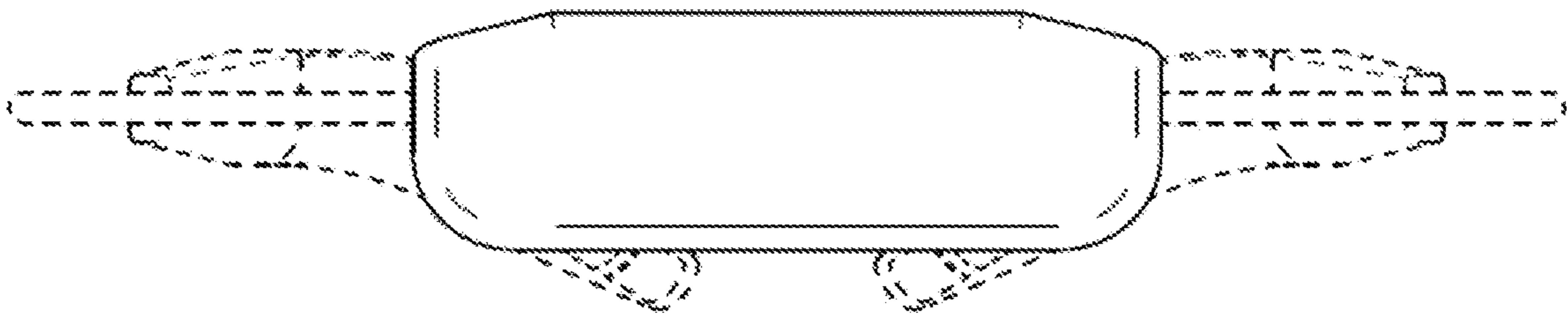


FIG. 5

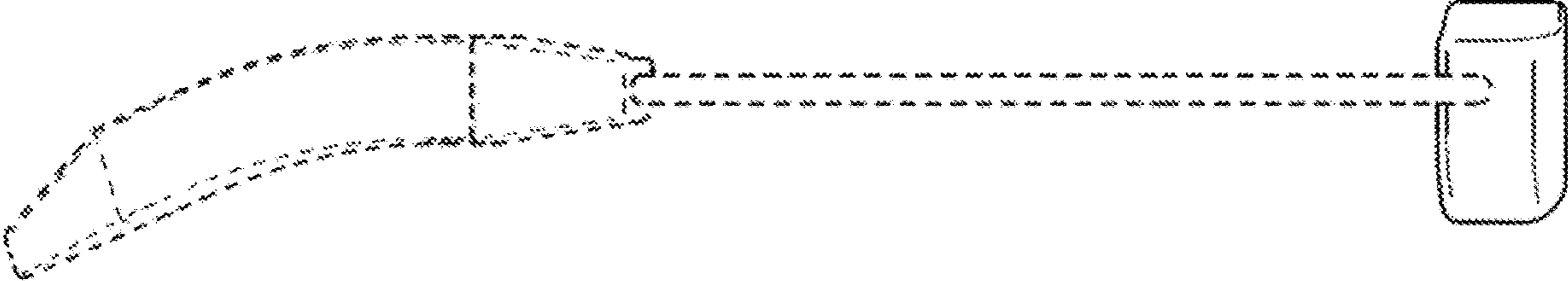


FIG. 6

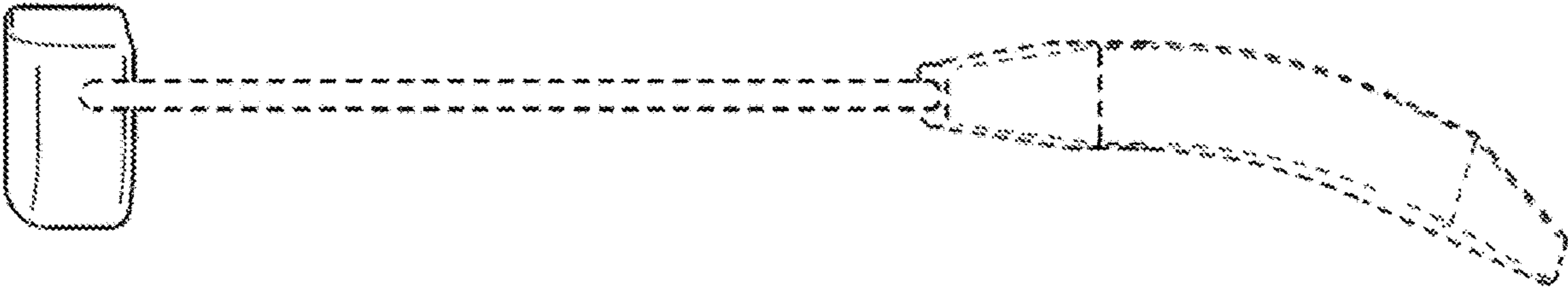


FIG. 7

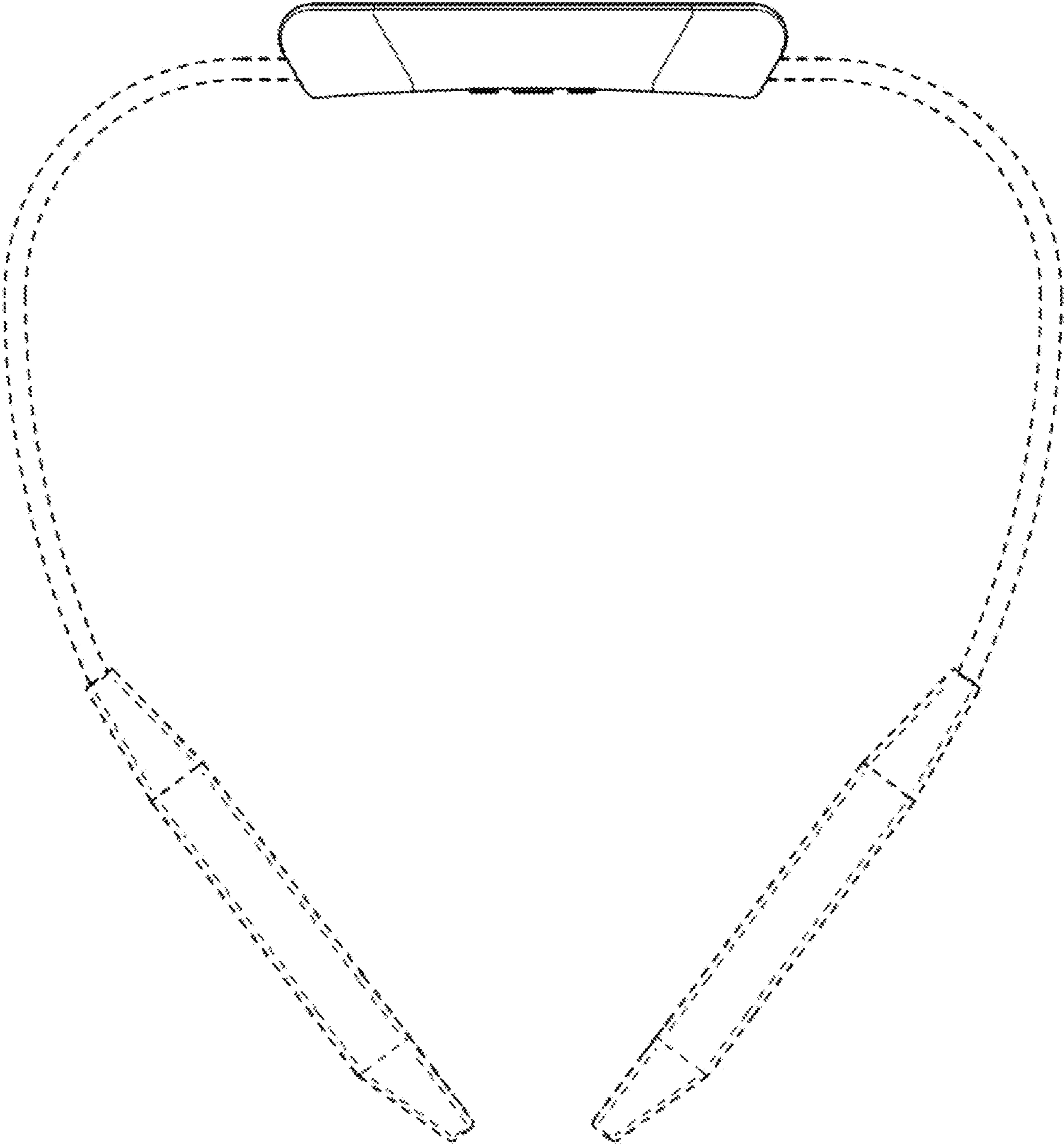


FIG. 8

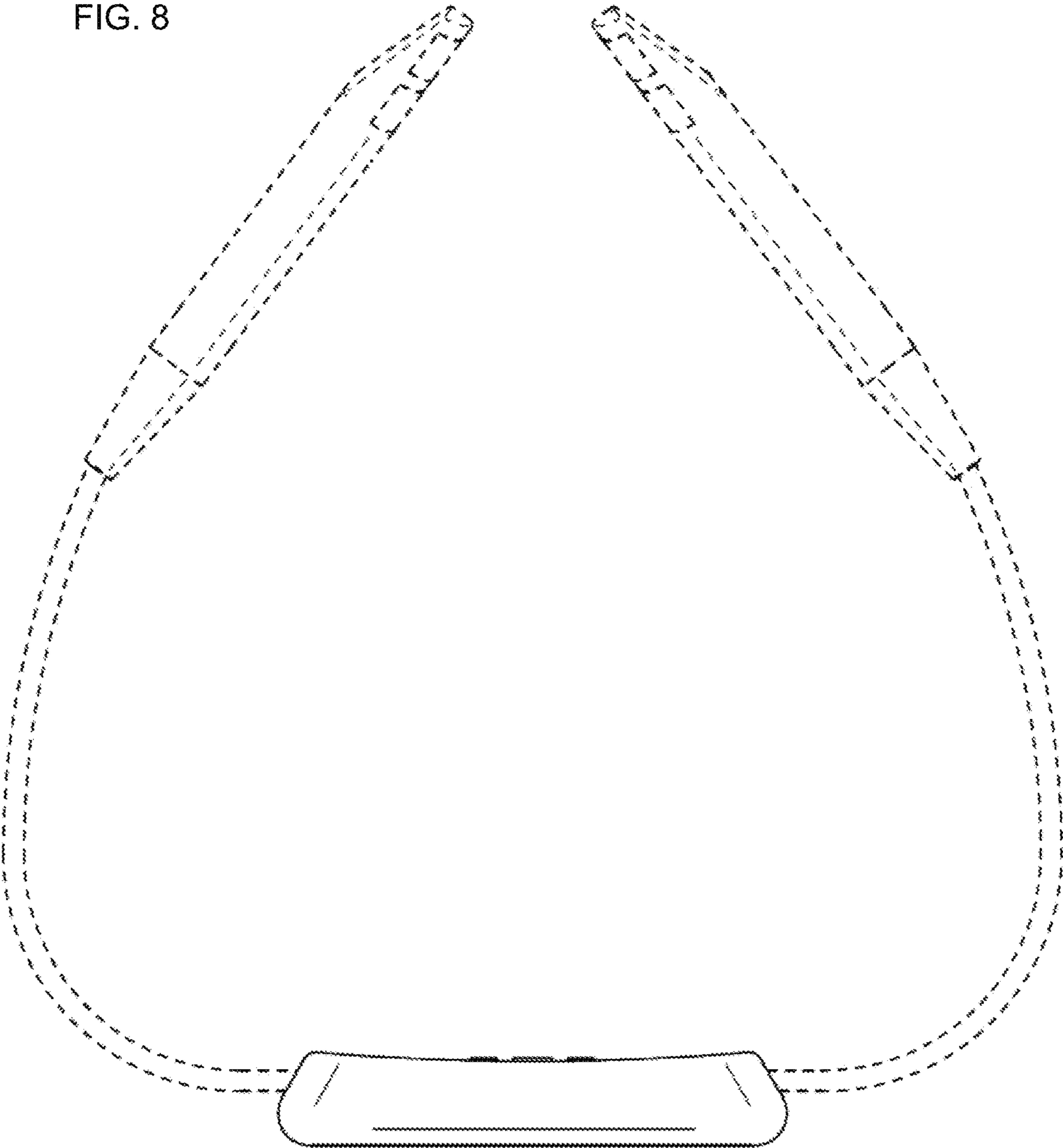


FIG. 9

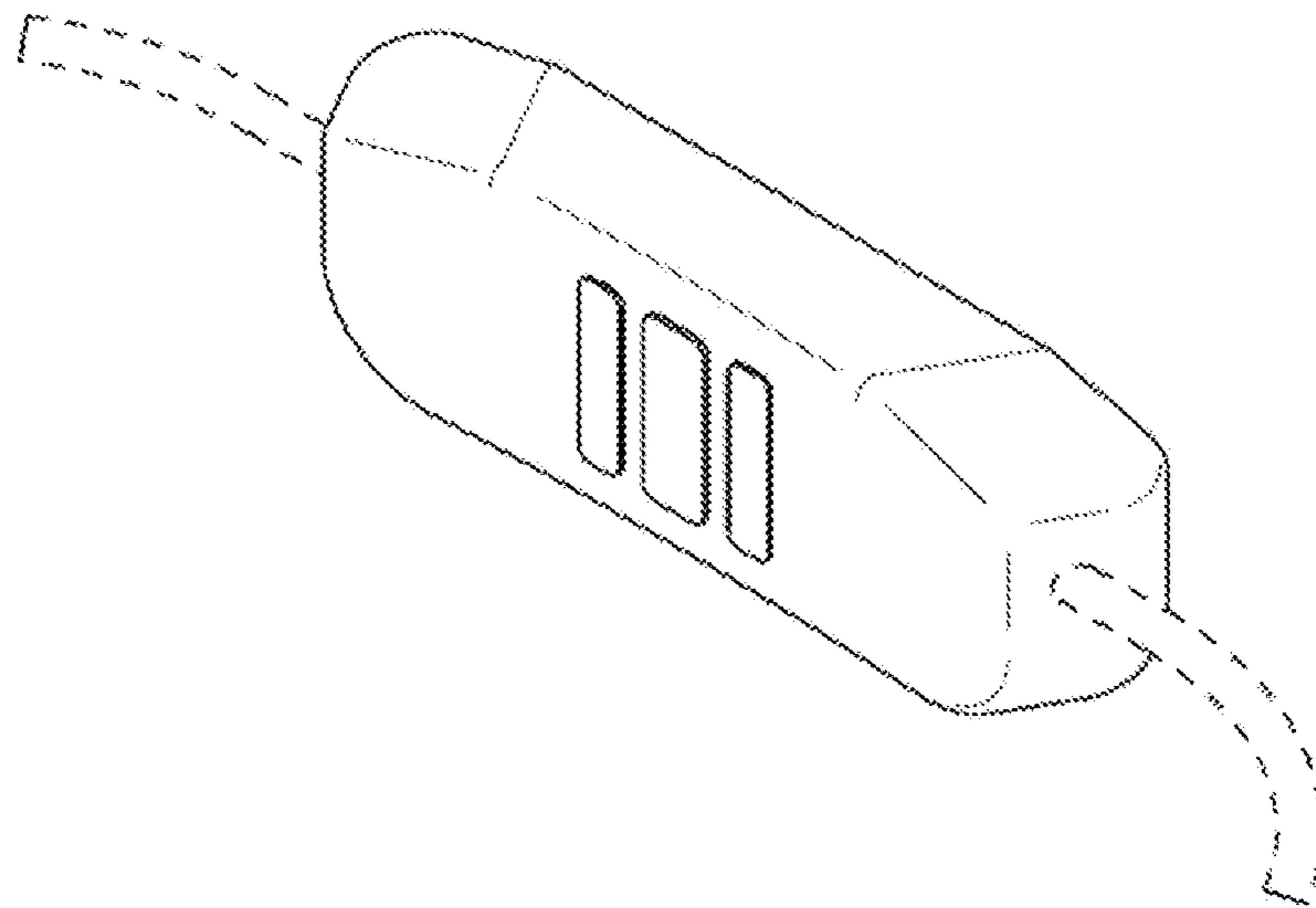


FIG. 10

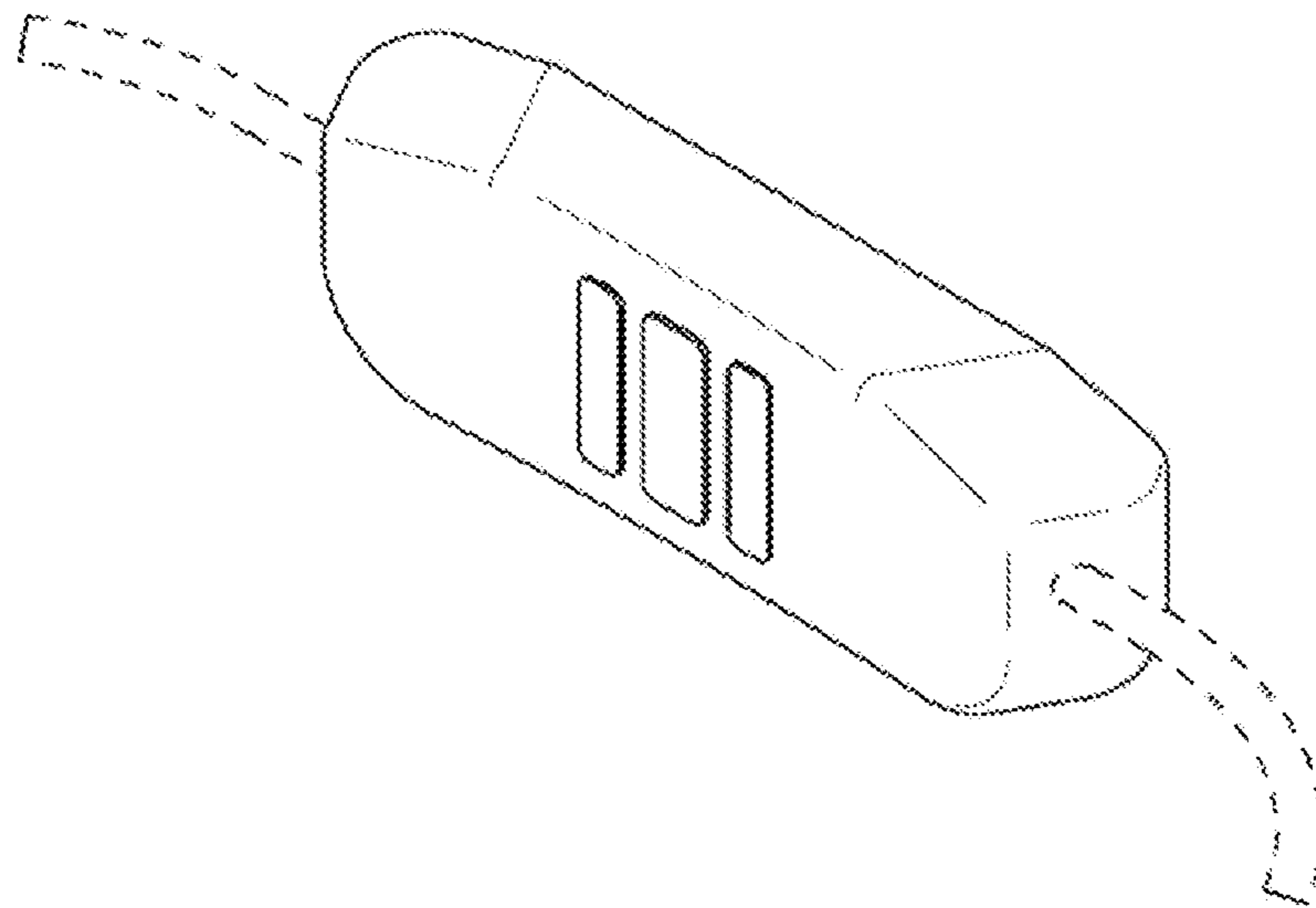


FIG. 11

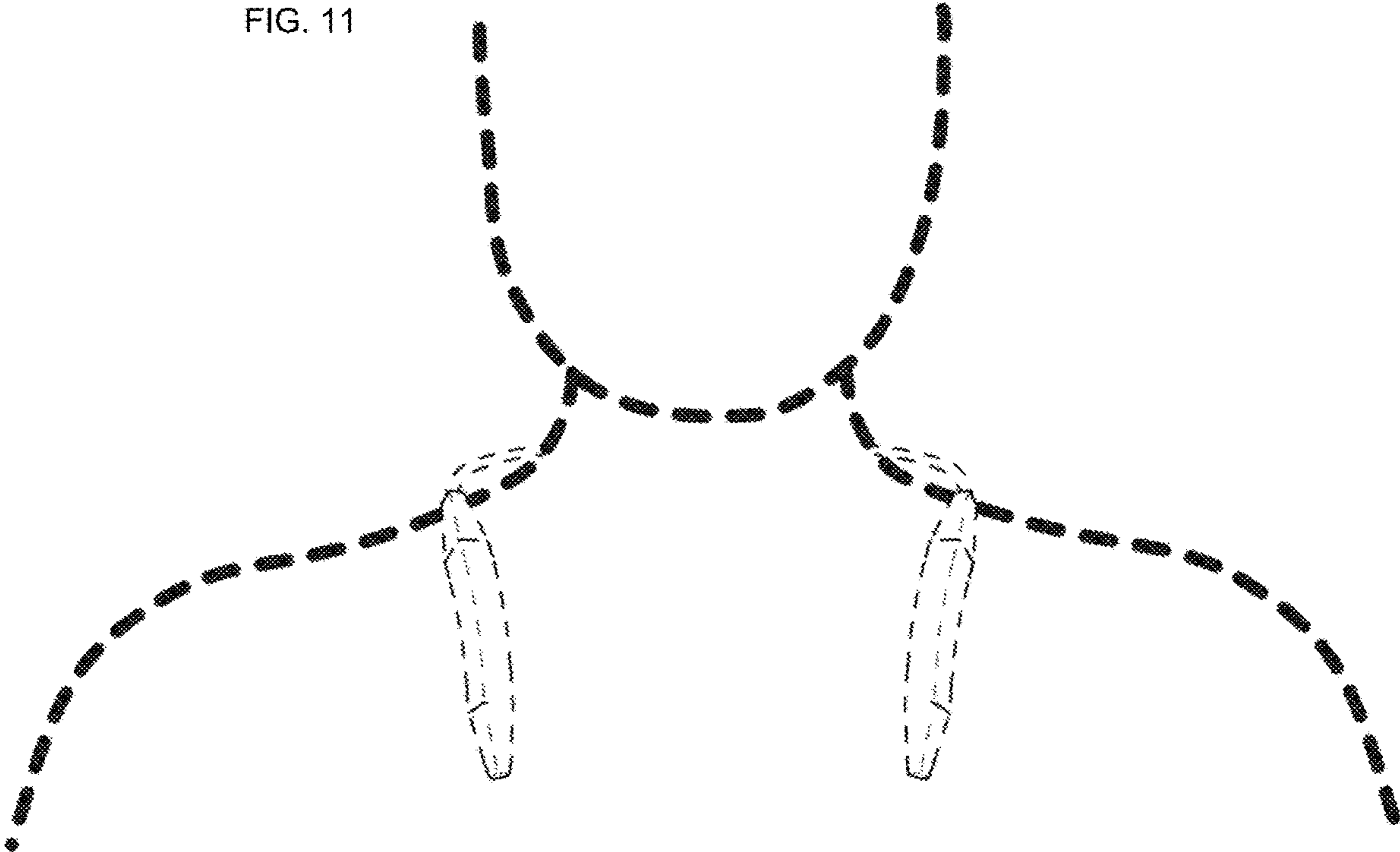


FIG. 12

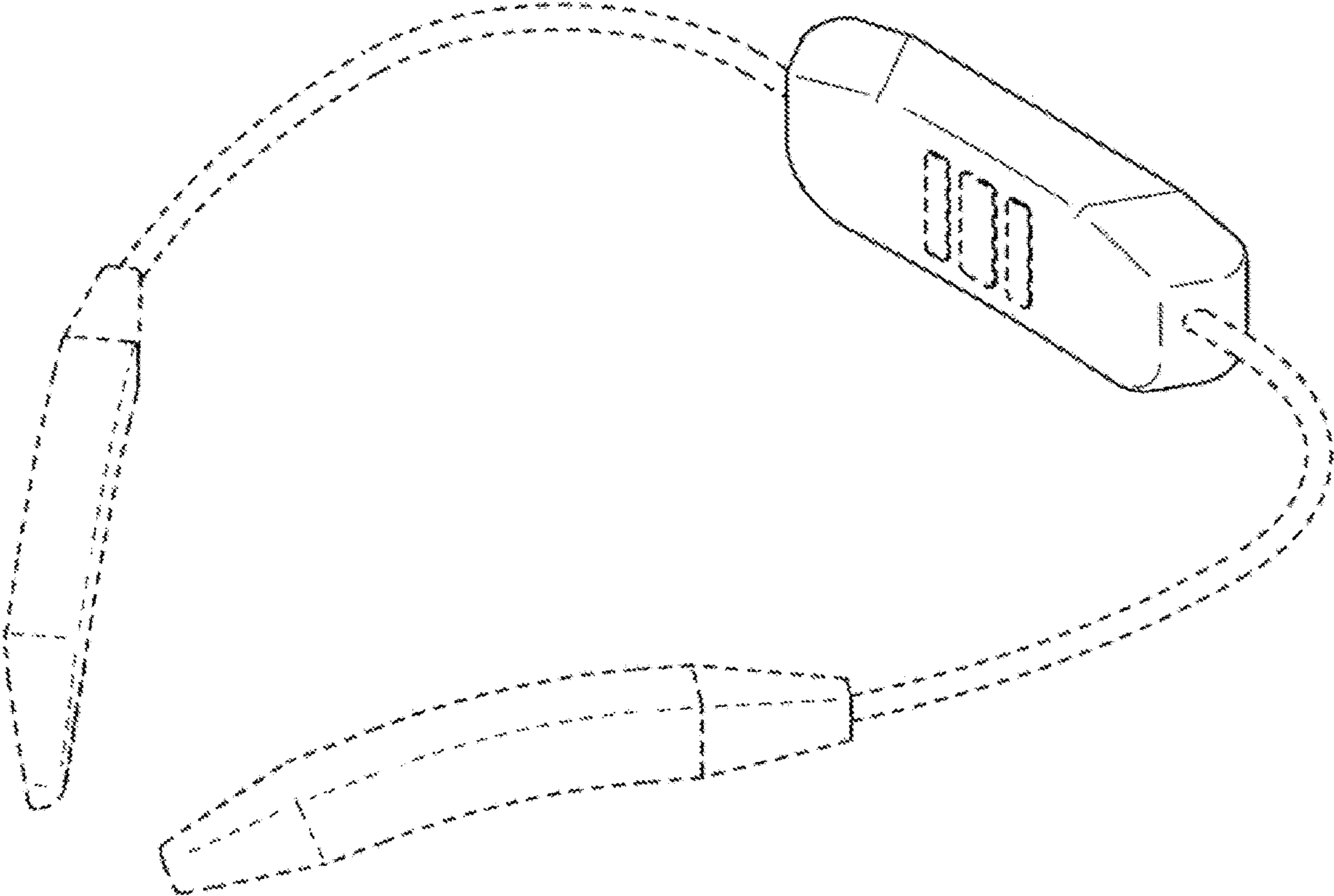


FIG. 13

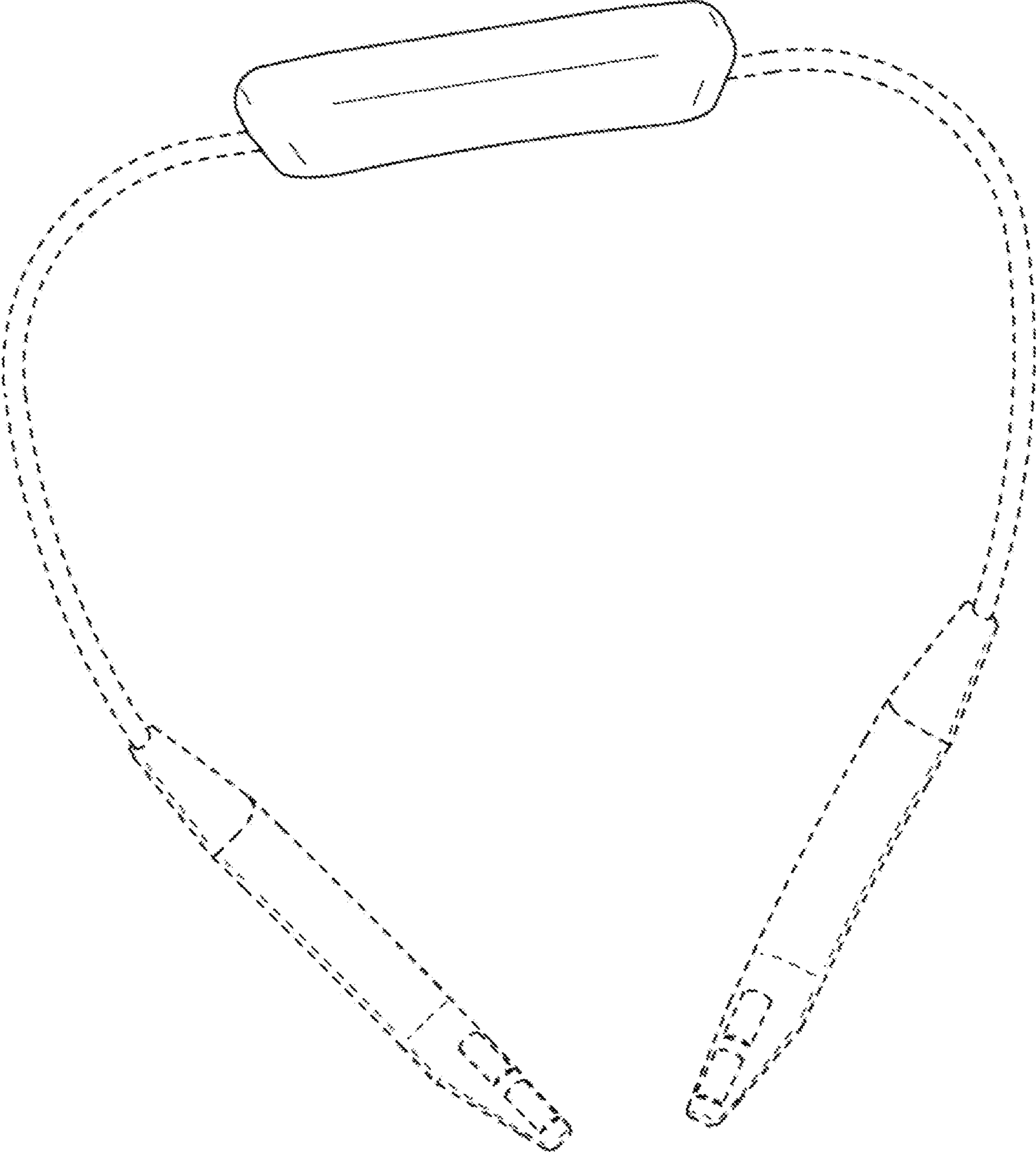


FIG. 14

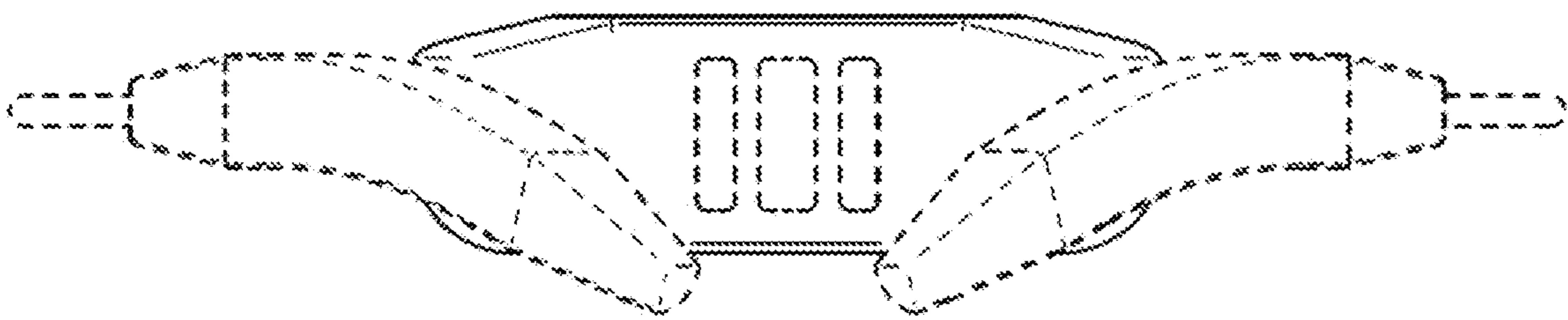


FIG. 15

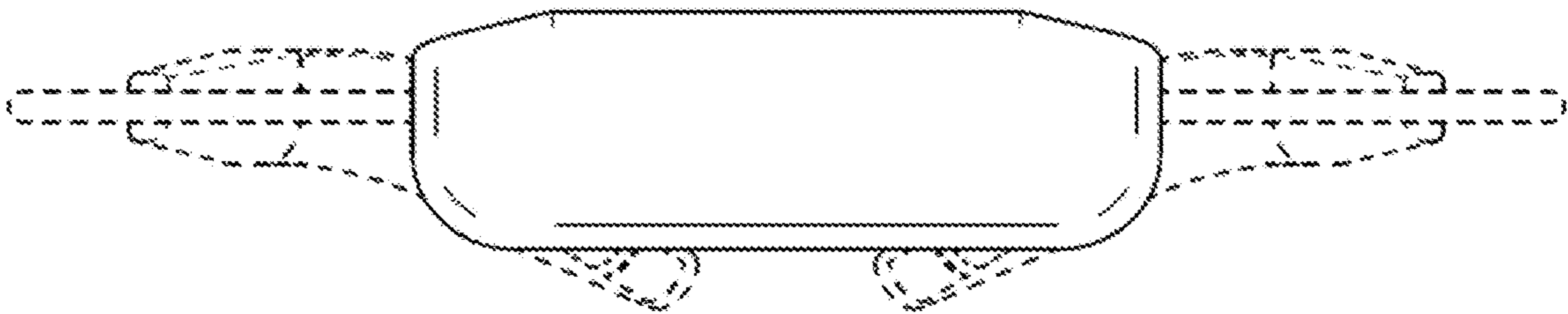


FIG. 16

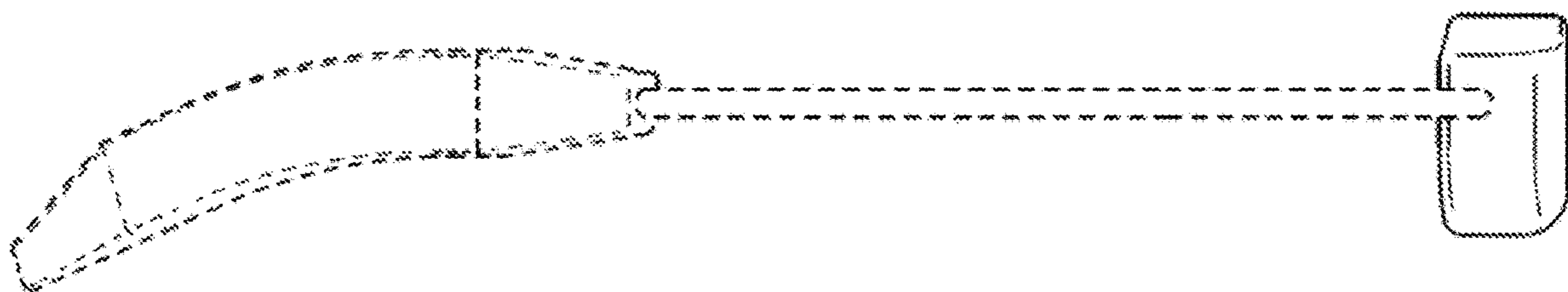


FIG. 17

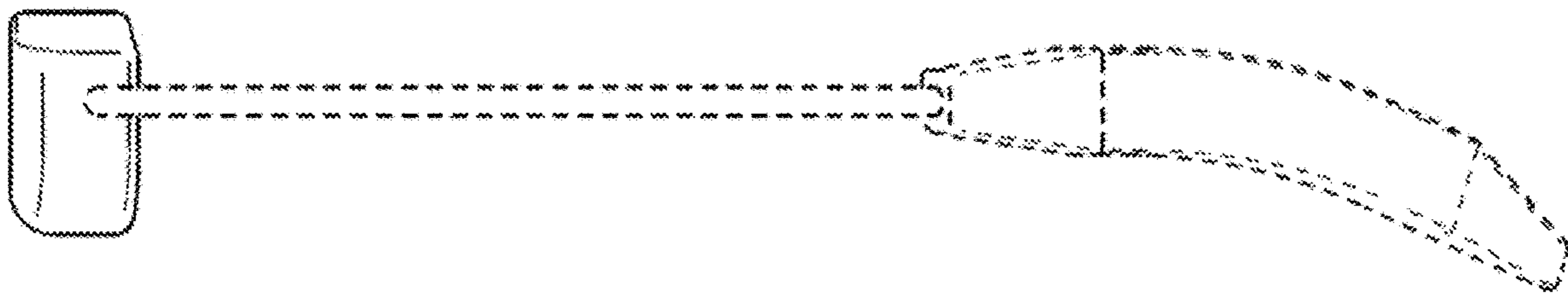


FIG. 18

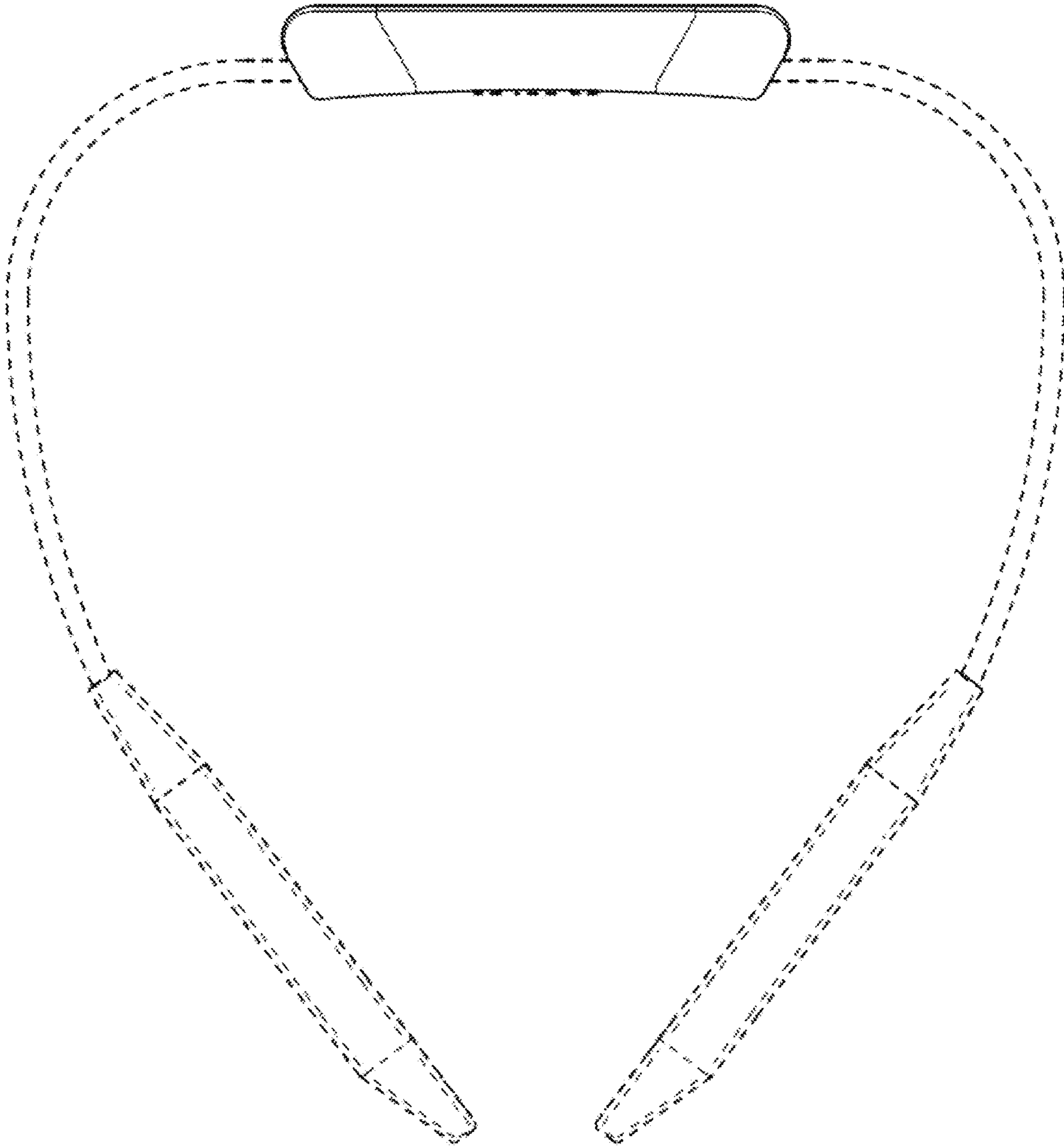


FIG. 19

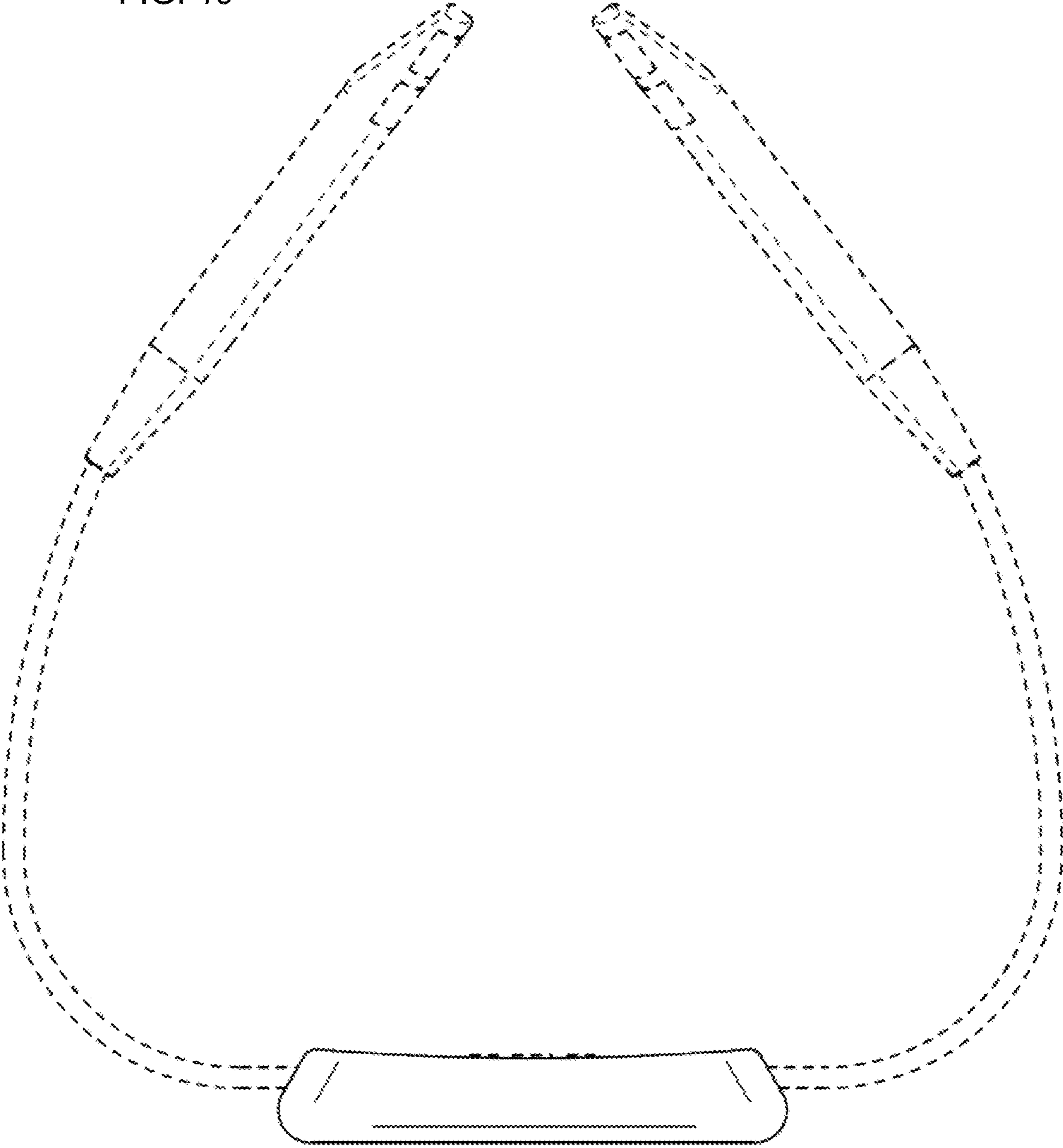


FIG. 20

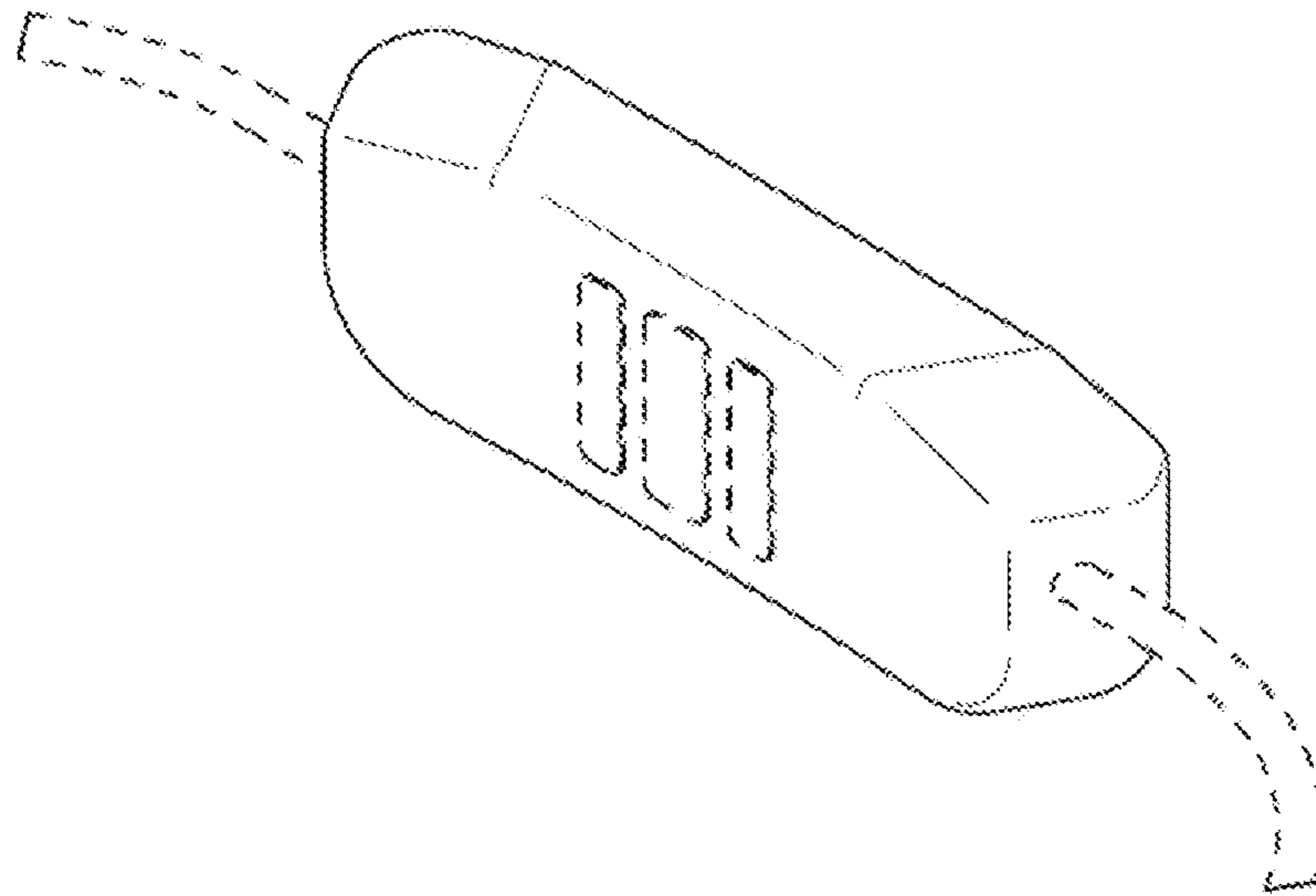


FIG. 21

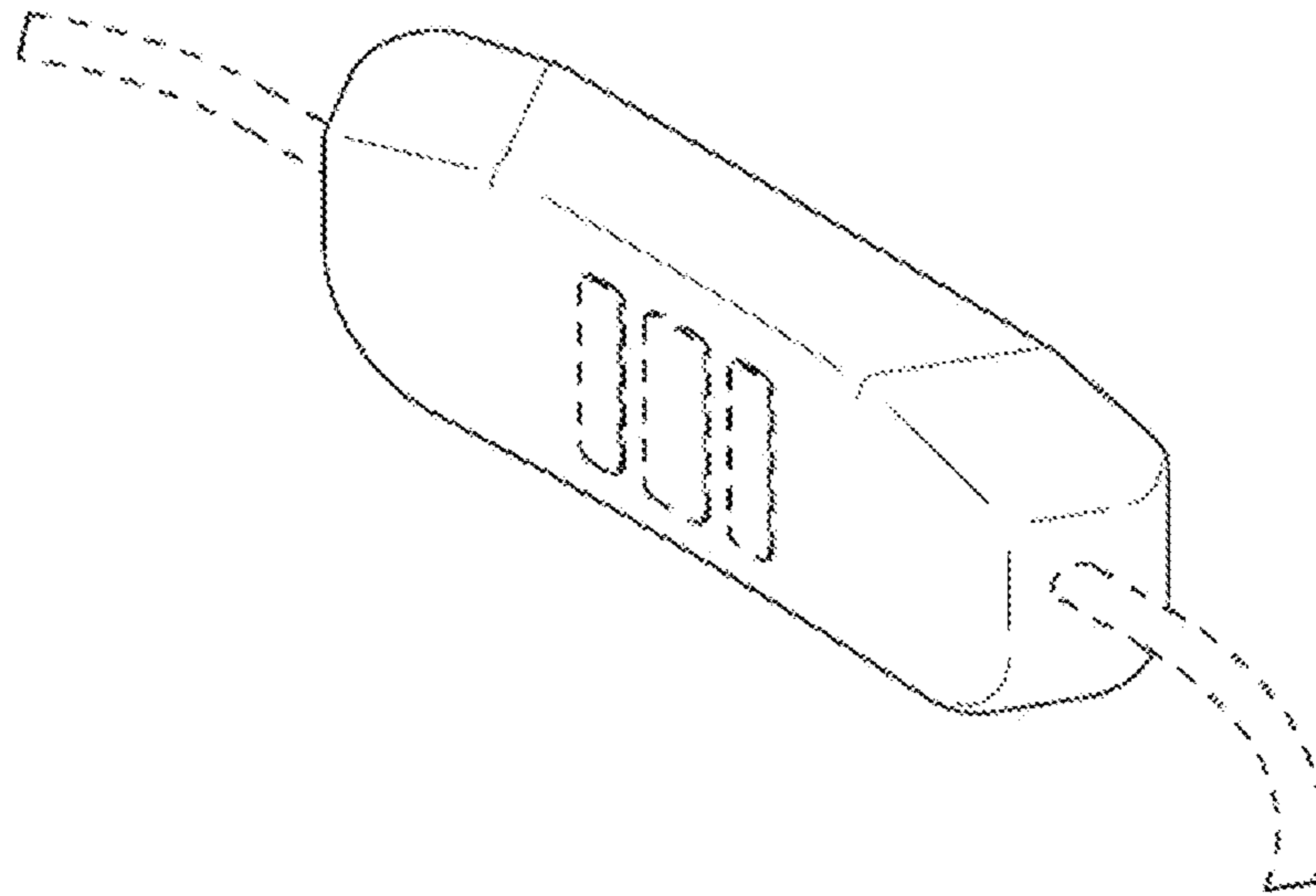


FIG. 22

