



US00D953540S

(12) **United States Design Patent** (10) **Patent No.:** **US D953,540 S**
Behrendt et al. (45) **Date of Patent:** **** May 31, 2022**

(54) **COR TRIPOD TROLLEY**

(56) **References Cited**

(71) Applicant: **KARL STORZ SE & Co. KG**,
Tuttlingen (DE)

(72) Inventors: **Kay Behrendt**, Tuttlingen (DE);
Alexander Sabo, Tuttlingen (DE);
Rainer Schairer, Gammertingen (DE);
Wolfgang Müller-Beiter, Sigmaringen
(DE)

U.S. PATENT DOCUMENTS

D548,918	S	*	8/2007	Nussberger	D34/17
D668,829	S	*	10/2012	Ono	D34/12
D670,472	S	*	11/2012	Ono	D34/12
9,367,061	B2	*	6/2016	Miller	G10K 11/17873
D863,559	S	*	10/2019	Brooks	D24/185
D894,402	S	*	8/2020	Couch	D24/185
D908,303	S	*	1/2021	Prince	D34/17
D910,954	S	*	2/2021	Hokanson	D34/12
D919,098	S	*	5/2021	Couch	D24/185
D936,839	S	*	11/2021	Couch	D24/185
2009/0212670	A1	*	8/2009	Bustle	A47B 21/0314 312/209
2013/0200586	A1	*	8/2013	Trish	A61G 12/001 280/79.3
2014/0117635	A1	*	5/2014	Ninomiya	B62B 3/008 280/35

(73) Assignee: **KARL STORZ SE & CO. KG**,
Tuttlingen (DE)

(**) Term: **15 Years**

(21) Appl. No.: **29/740,544**

(22) Filed: **Jul. 6, 2020**

(30) **Foreign Application Priority Data**

Jan. 7, 2020 (EM) 007483573-0002

(51) **LOC (13) Cl.** **24-02**

(52) **U.S. Cl.**
USPC **D24/185**

(58) **Field of Classification Search**

USPC D34/12, 14, 17, 20, 21, 23, 27, 25, 19;
D16/244, 250; D24/185

CPC B62B 1/18; B62B 1/20; B62B 1/2208;
B62B 1/002; B62B 1/10; B62B 1/14;
B62B 1/12; B62B 1/204; B62B 1/22;
B62B 1/00; B62B 1/16; B62B 1/206;
B62B 5/00; B62B 5/067; B62B 5/068;
B62B 5/0083; B62B 5/062; B62B 5/006;
B62B 2205/006; A61B 6/4405; A61B
8/4405; A61B 8/462; A61B 8/467

See application file for complete search history.

* cited by examiner

Primary Examiner — Cynthia Ramirez

(74) *Attorney, Agent, or Firm* — Eversheds Sutherland
(US) LLP

(57) **CLAIM**

The ornamental design for a COR tripod trolley, as shown and described.

DESCRIPTION

FIG. 1 is a perspective view of a COR tripod trolley showing our new design;

FIG. 2 is a front view thereof;

FIG. 3 is a rear view thereof;

FIG. 4 is a left side view thereof;

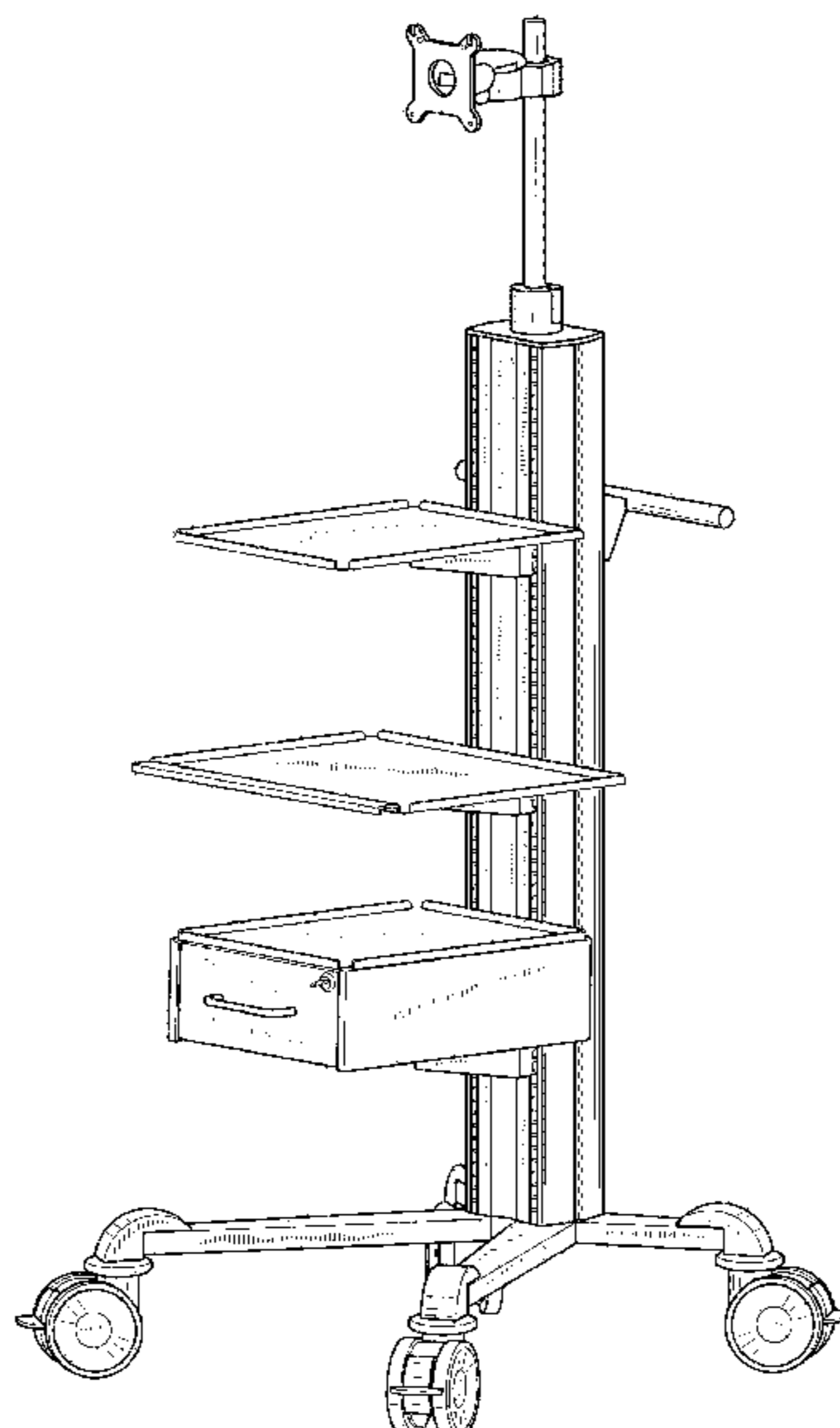
FIG. 5 is a right view thereof;

FIG. 6 is a top view thereof; and,

FIG. 7 is a bottom view thereof.

The broken lines shown in the figures are included for the purpose of illustrating portions of the COR tripod trolley and forms no part of the claimed design.

1 Claim, 7 Drawing Sheets



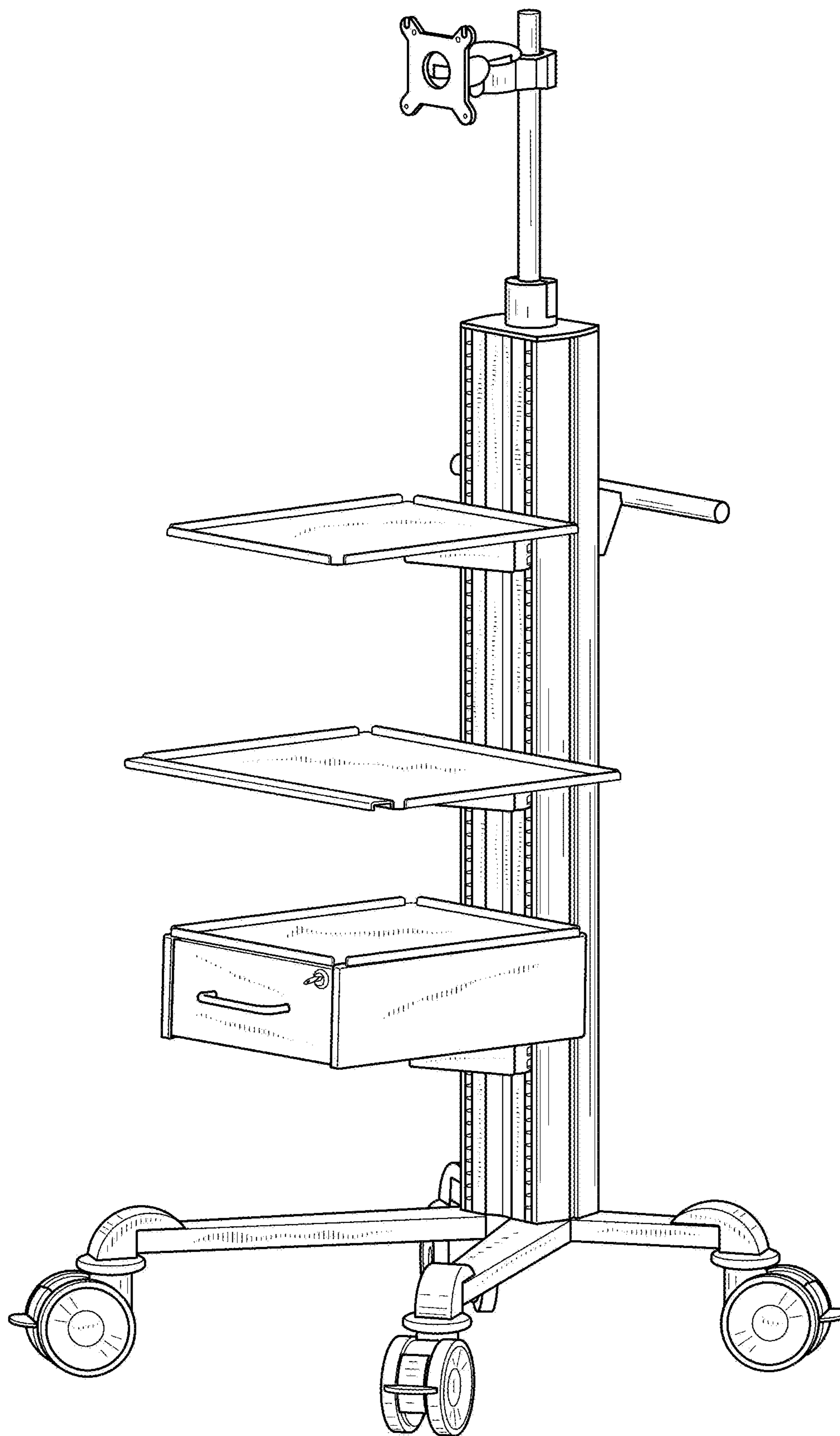


FIG. 1

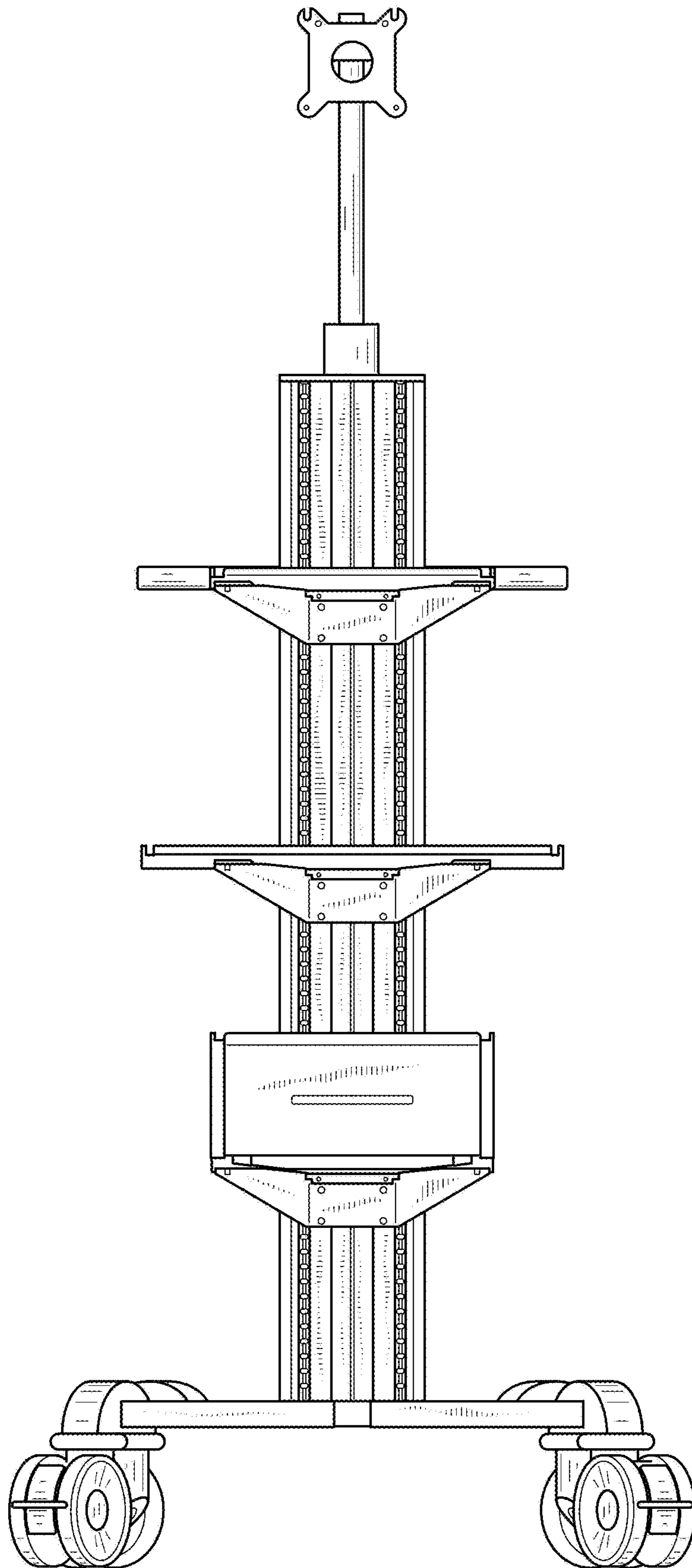


FIG. 2

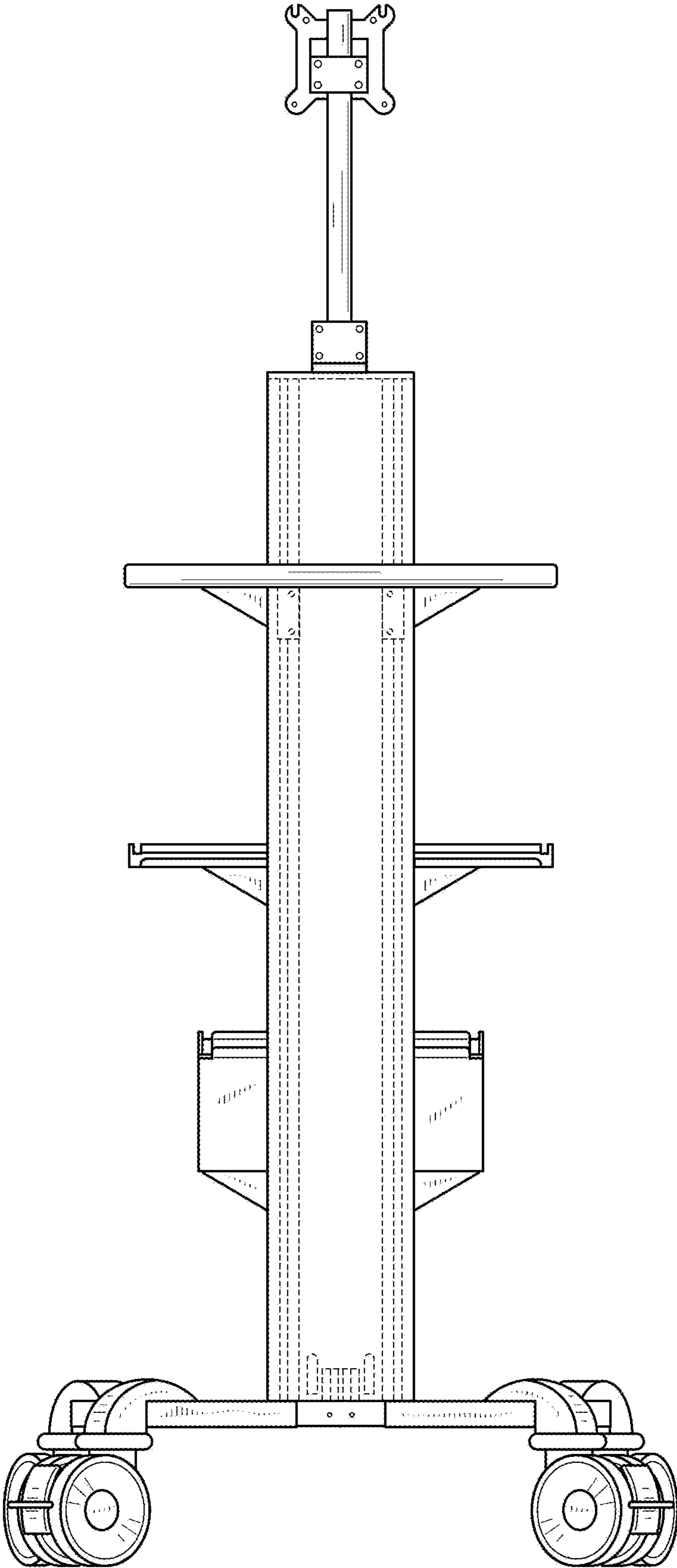


FIG. 3

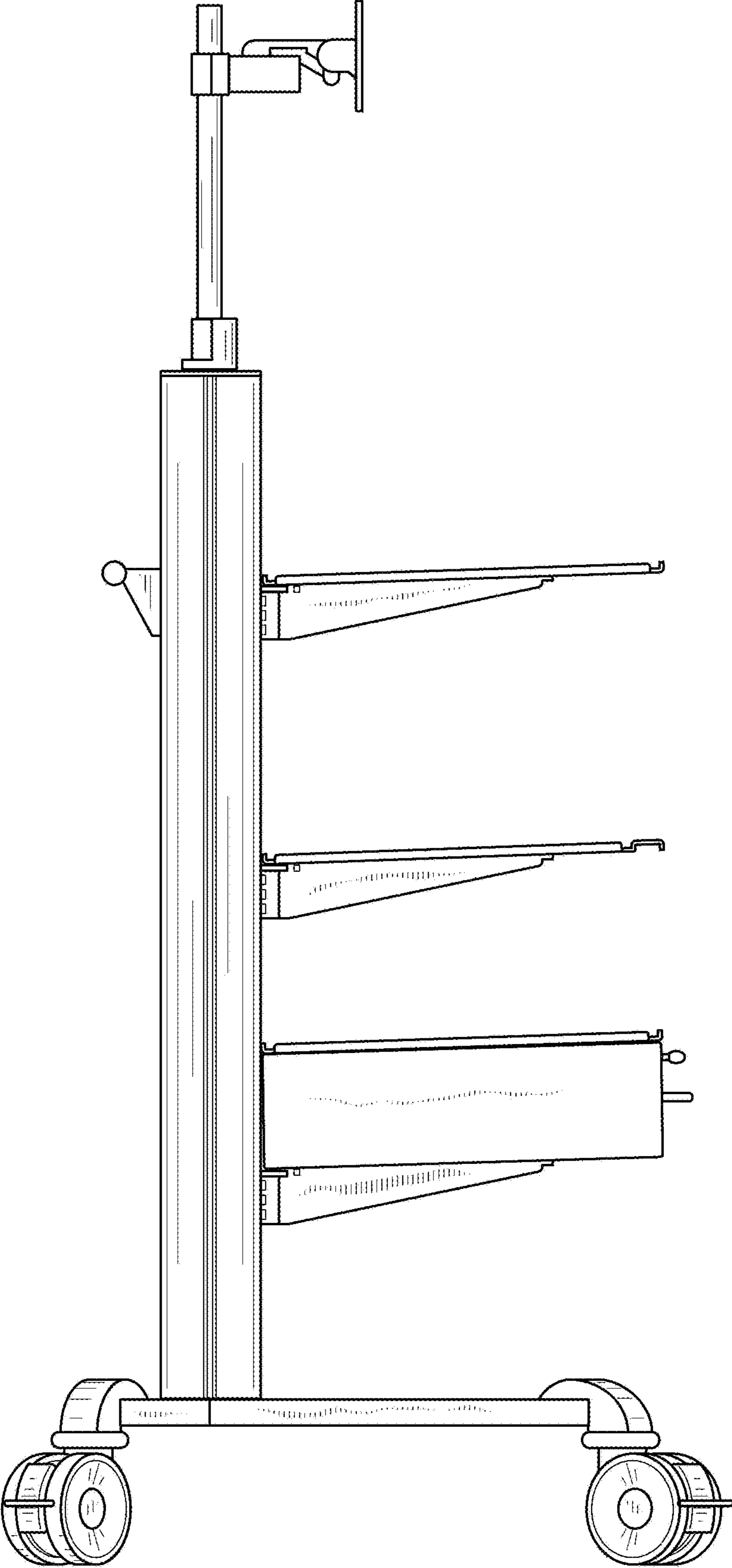


FIG. 4

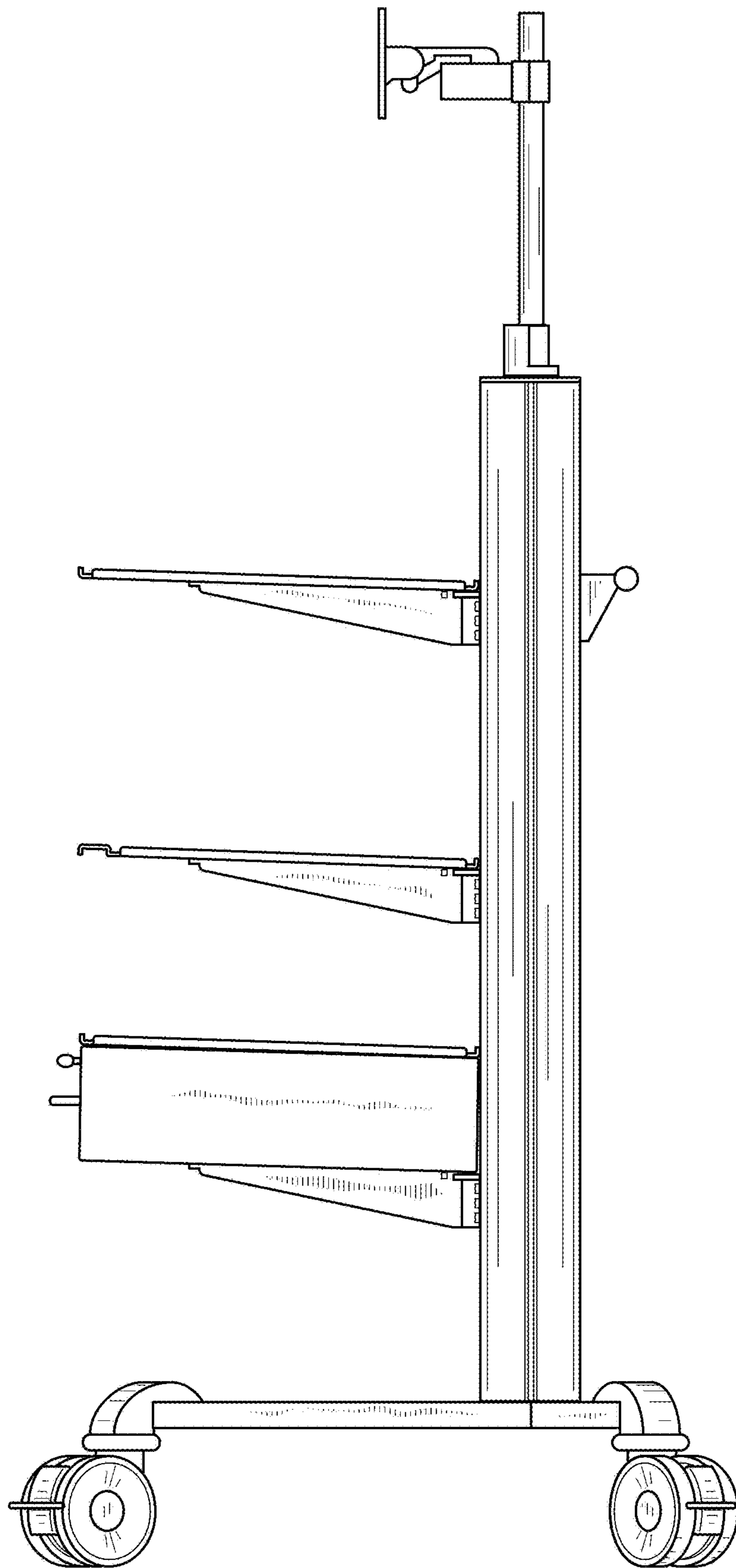


FIG. 5

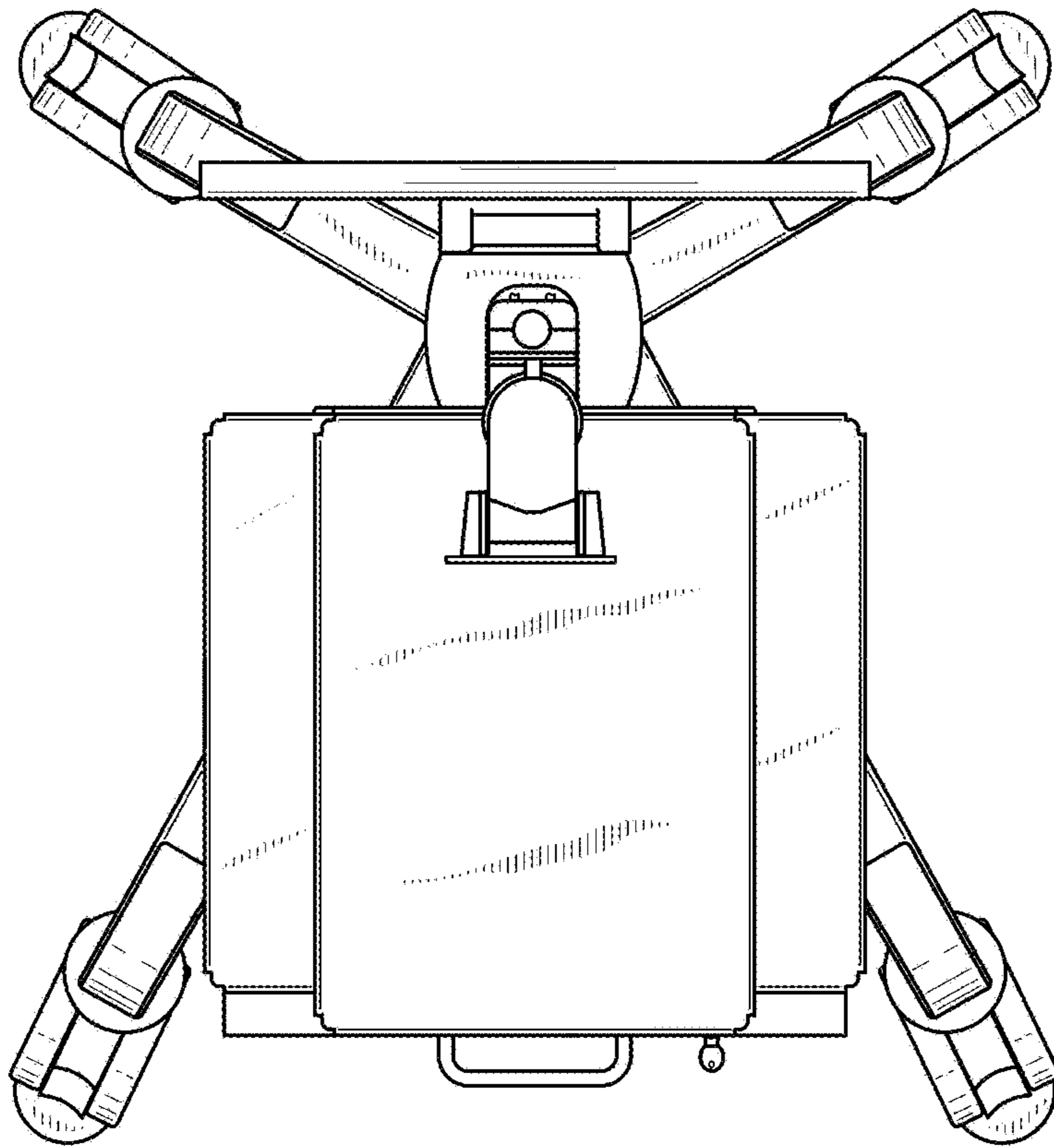


FIG. 6

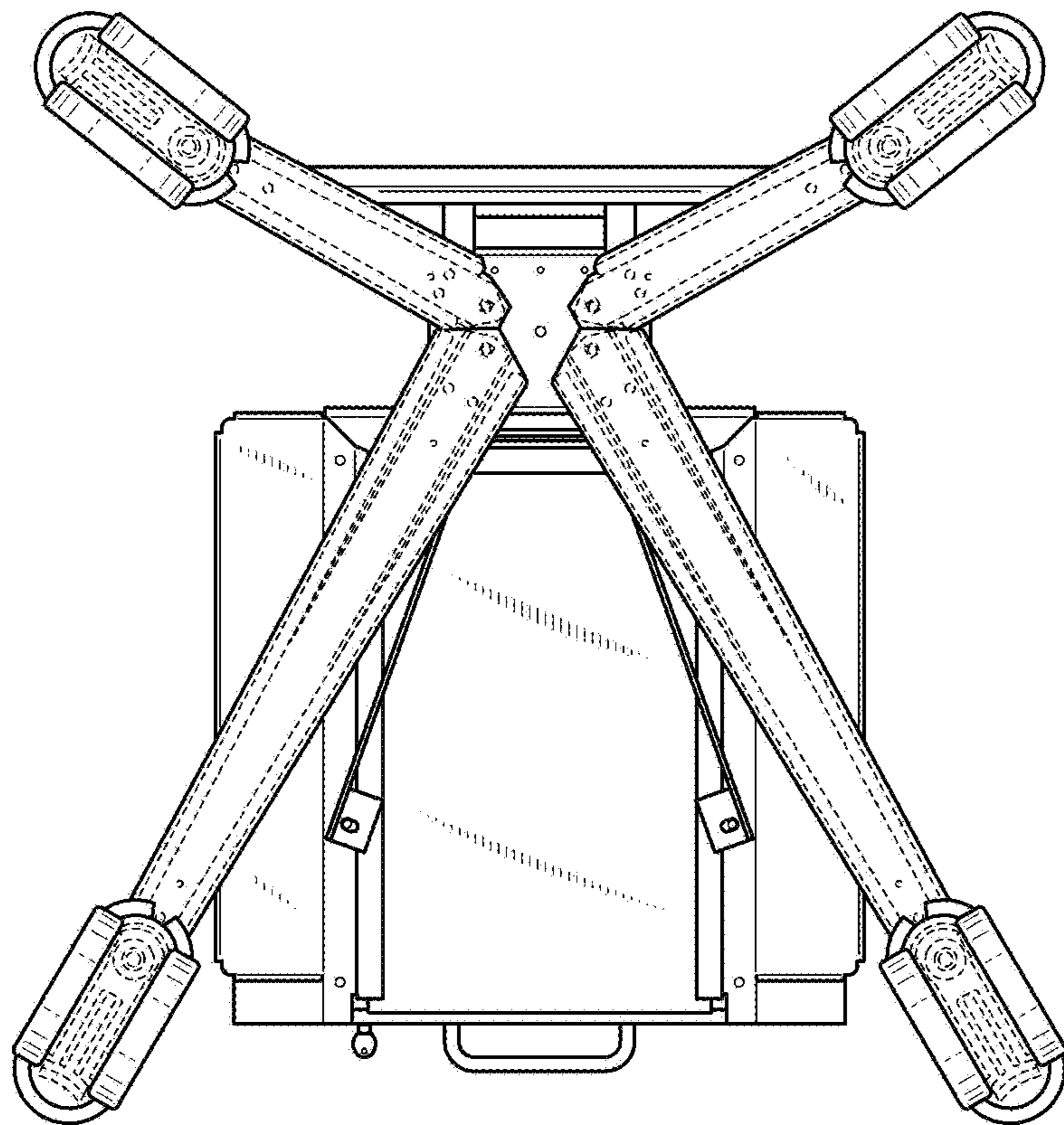


FIG. 7