



US00D953537S

(12) **United States Design Patent**
Tamsiran

(10) **Patent No.:** **US D953,537 S**

(45) **Date of Patent:** **** May 31, 2022**

(54) **HEARING AID**

- (71) Applicant: **Sonova AG**, Stäfa (CH)
- (72) Inventor: **Rafael Tamsiran**, Amersfoort (NL)
- (**) Term: **15 Years**
- (21) Appl. No.: **35/510,243**
- (22) Filed: **Aug. 19, 2020**

(80) **Hague Agreement Data**

Int. Filing Date: **Aug. 19, 2020**
 Int. Reg. No.: **DM/209996**
 Int. Reg. Date: **Aug. 19, 2020**
 Int. Reg. Pub. Date: **Sep. 4, 2020**

(51) **LOC (13) Cl.** **24-99**

(52) **U.S. Cl.**
USPC **D24/174**

(58) **Field of Classification Search**
USPC D24/173; D14/205, 226
CPC ... H04R 2225/025; H04R 25/60; H04R 25/65
See application file for complete search history.

(56) **References Cited**

U.S. PATENT DOCUMENTS

D705,936 S *	5/2014	Lockenwitz	D24/174
D837,984 S *	1/2019	Christiansen	D24/151
D896,387 S *	9/2020	Shi	D24/174
D896,388 S *	9/2020	Shi	D24/174
D896,389 S *	9/2020	Zhang	D24/174
D896,968 S *	9/2020	Yu	D24/174
2007/0223756 A1 *	9/2007	Nielsen	H04R 25/65 381/322

OTHER PUBLICATIONS

Widex, Hearing aids that fit behind the ear, undated online product page, retrieved Aug. 31, 2021 from <URL:http://webfiles.widex.com/en/products/hearing-aid-types/behind-the-ear-hearing-aids/> (Year: 2021).*

* cited by examiner

Primary Examiner — Calvin E Vansant

(57) **CLAIM**

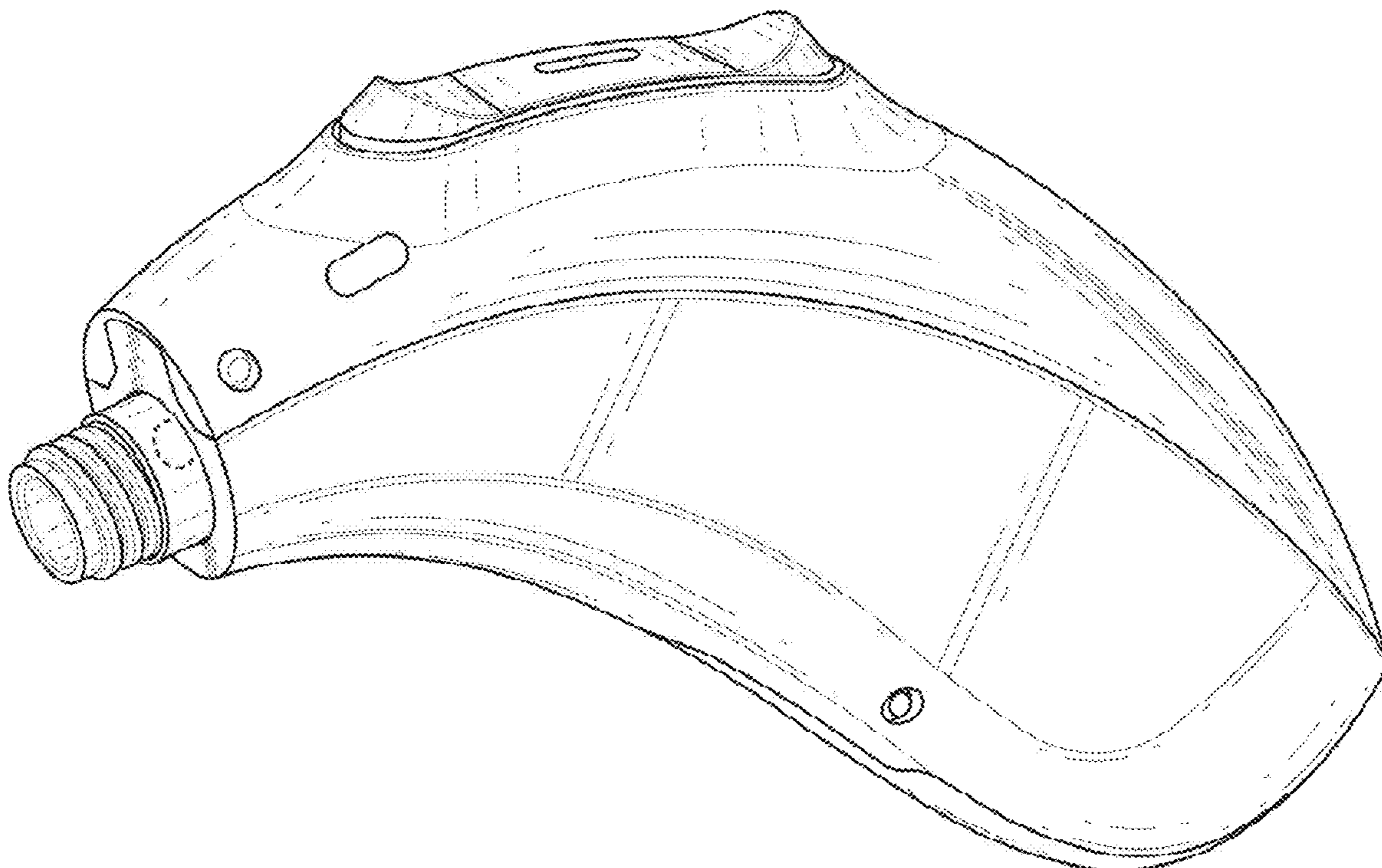
The ornamental design for a hearing aid, as shown and described.

DESCRIPTION

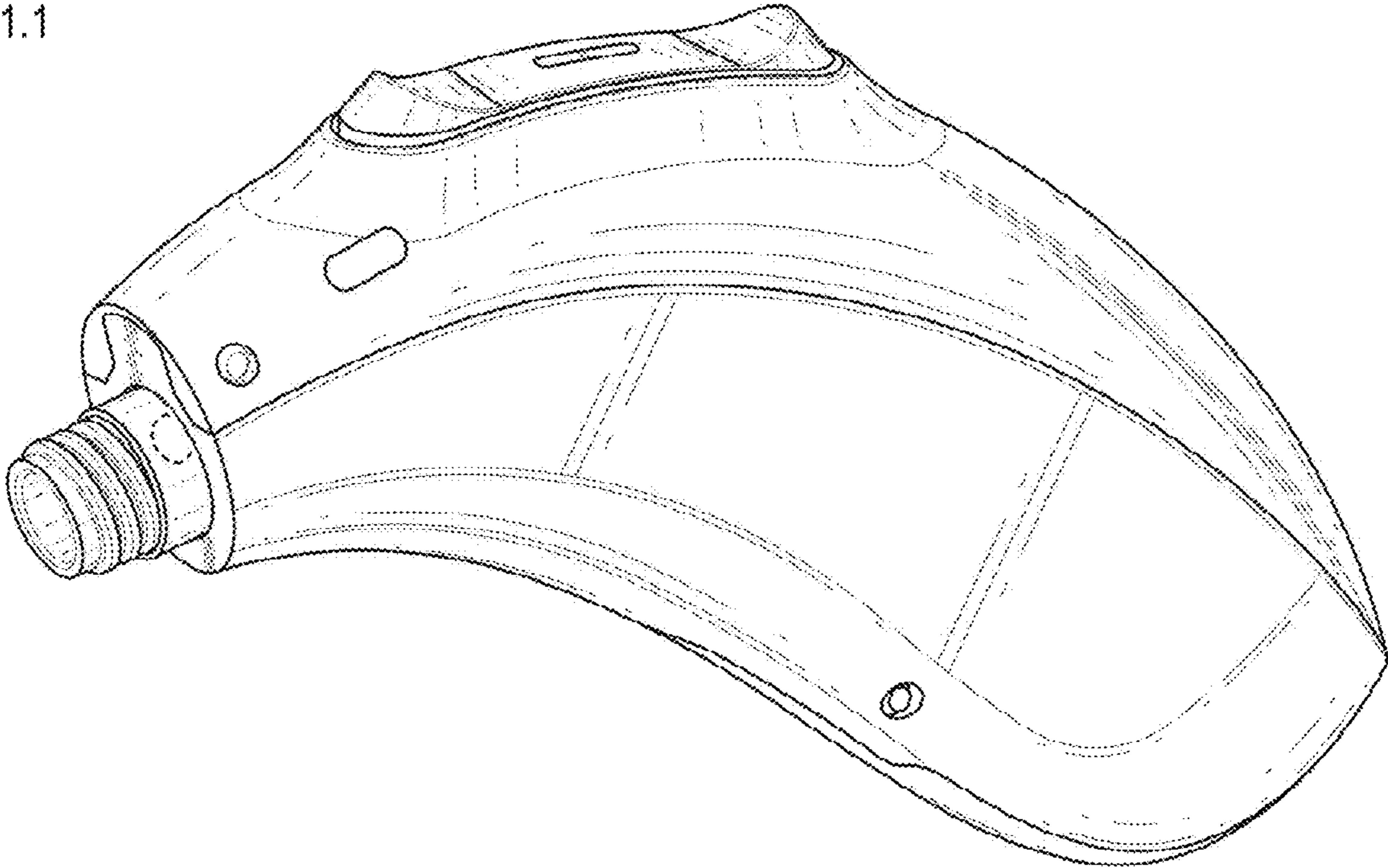
- 1. Hearing Aid
- 1.1 : Perspective
- 1.2 : Top
- 1.3 : Bottom
- 1.4 : Right
- 1.5 : Left
- 1.6 : Front
- 1.7 : Back

Fig. 1.1 is a front and right side perspective view of a hearing aid showing our new design; fig. 1.2 is a top view thereof; fig. 1.3 is a bottom view thereof; fig. 1.4 is a right side view thereof; fig. 1.5 is a left side view thereof; fig. 1.6 is a front side view thereof; and fig. 1.7 is a rear side view thereof. The broken lines depict portions of the hearing aid that form no part of the claimed design.

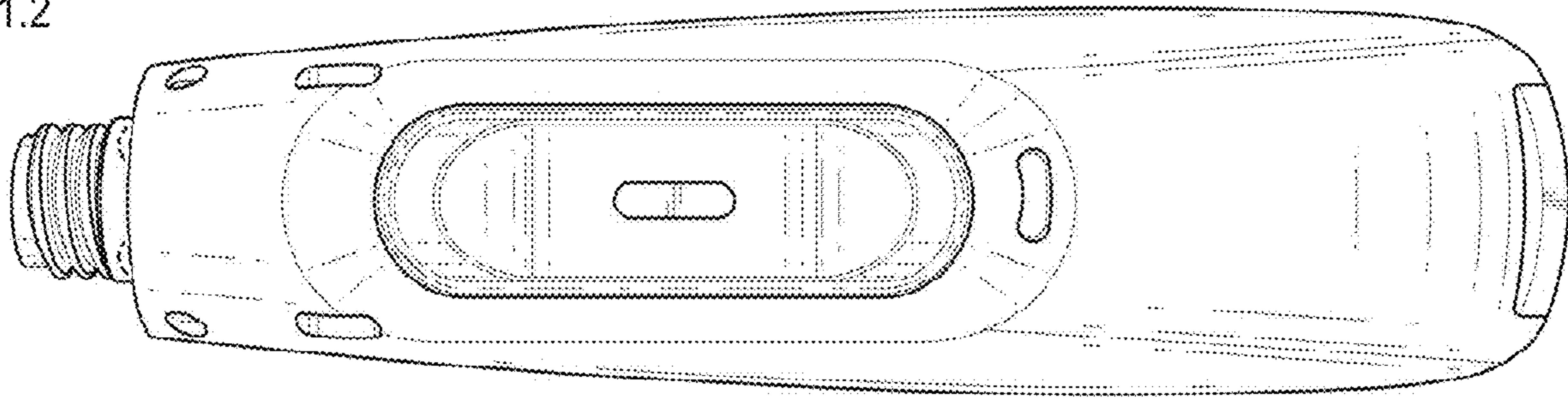
1 Claim, 7 Drawing Sheets

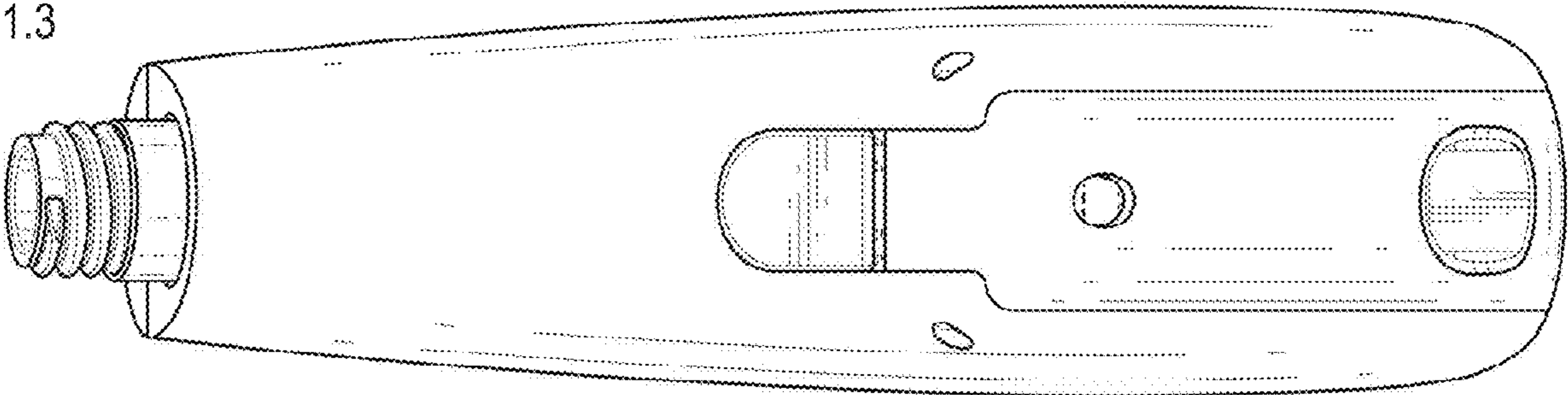


1.1

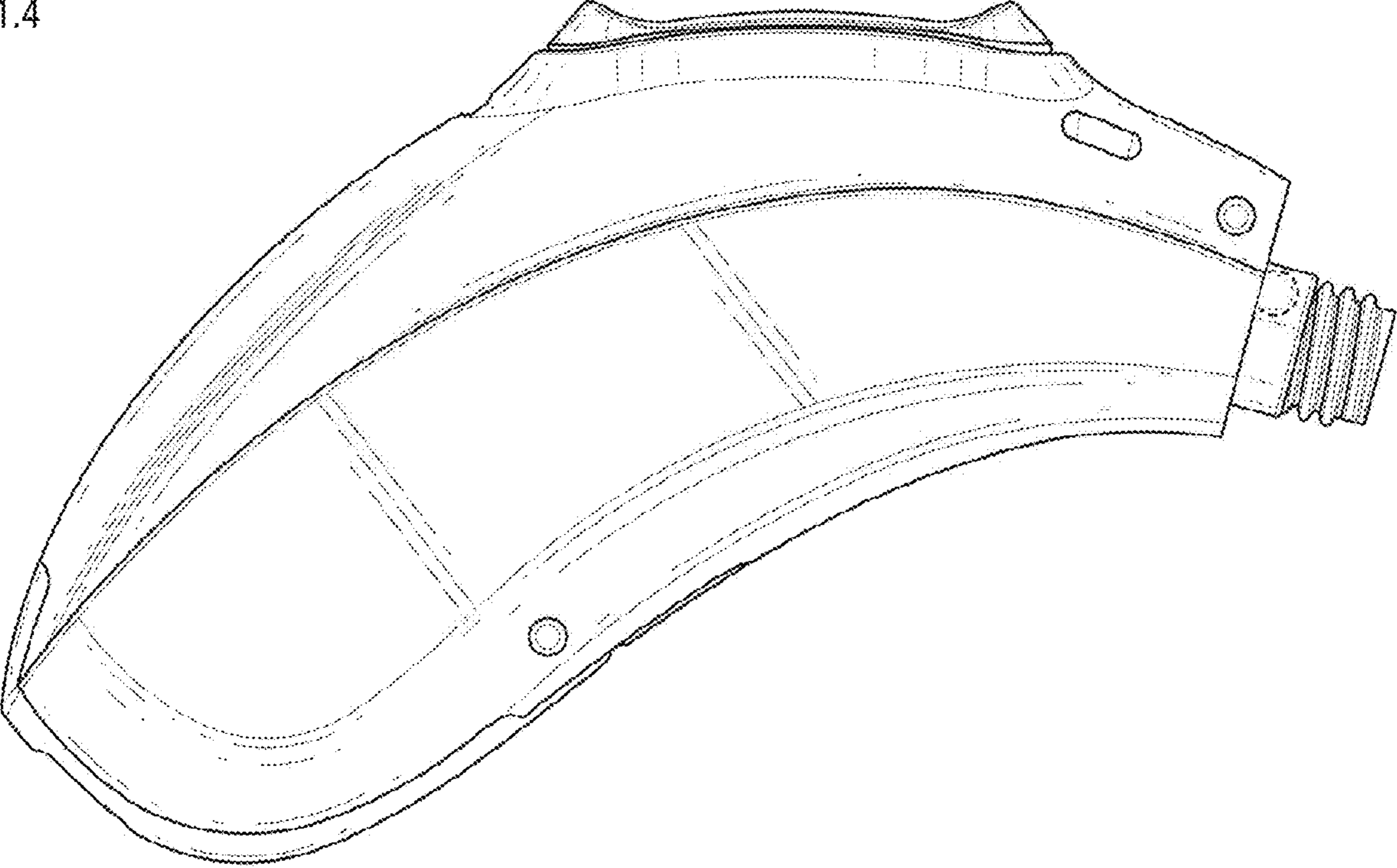


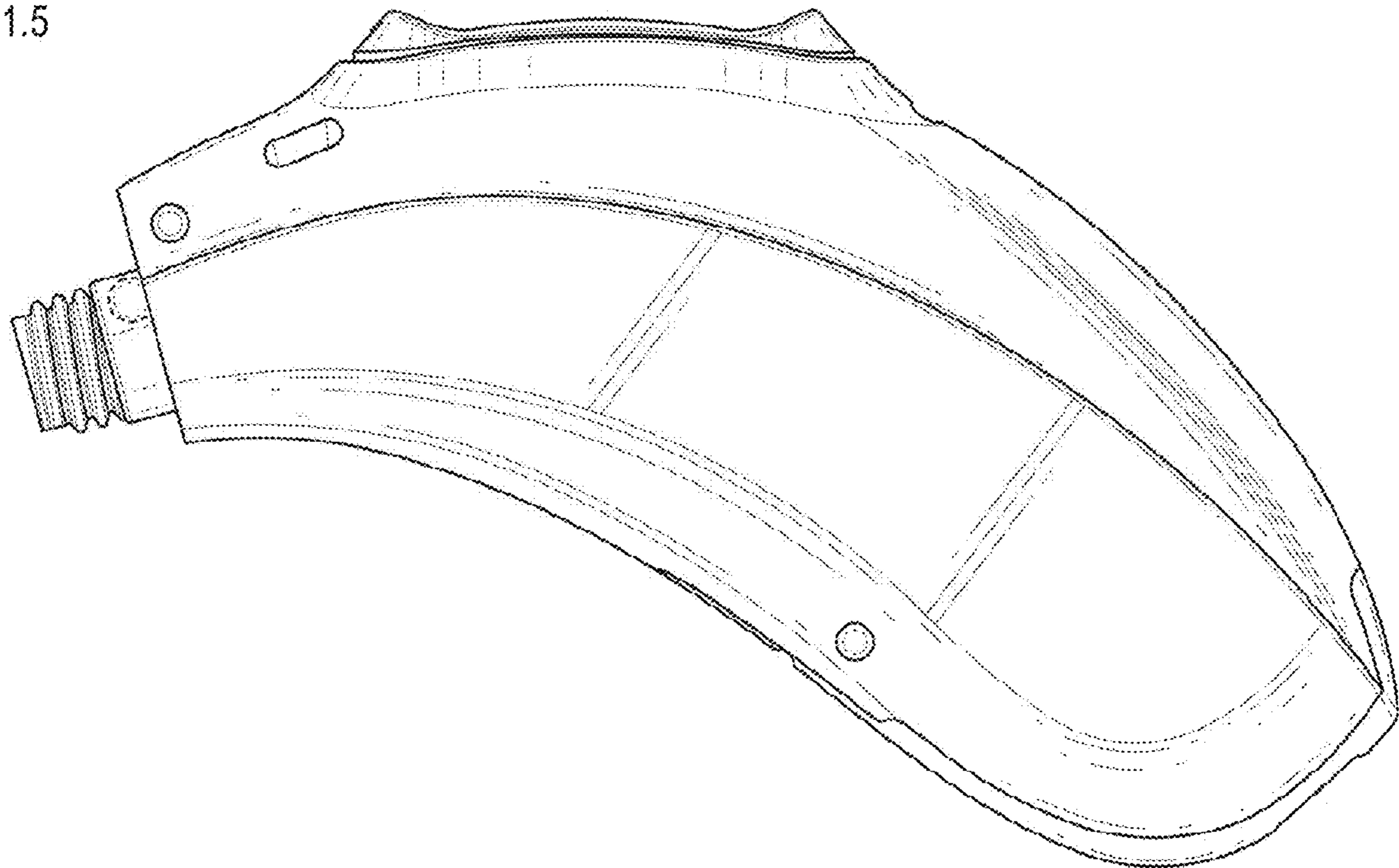
1.2



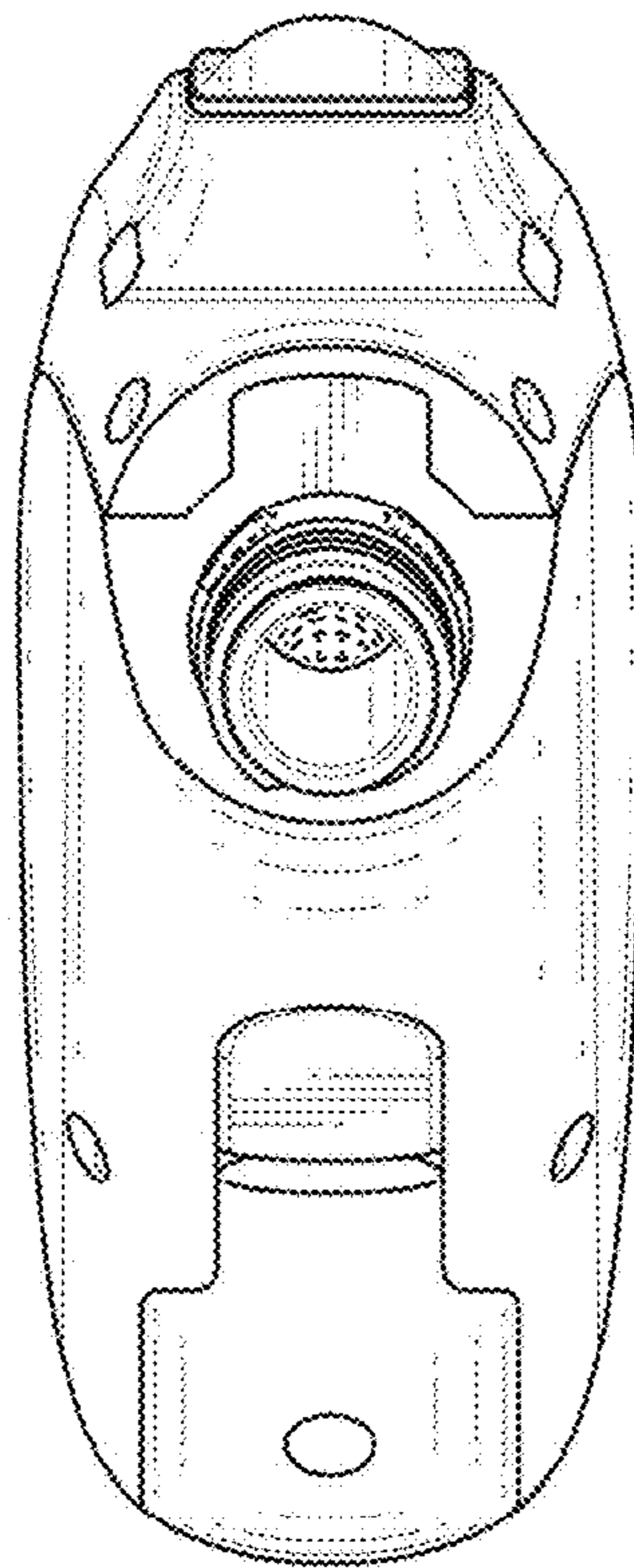


1.4





1.6



1.7

