



US00D953536S

(12) **United States Design Patent** (10) **Patent No.:** **US D953,536 S**  
**Xia** (45) **Date of Patent:** **\*\* May 31, 2022**

(54) **RECHARGEABLE HEARING AID**

FOREIGN PATENT DOCUMENTS

(71) Applicant: **Wenbing Xia**, Shaoyang (CN)

CN 201730537183 \* 5/2018

(72) Inventor: **Wenbing Xia**, Shaoyang (CN)

OTHER PUBLICATIONS

(\*\*) Term: **15 Years**

Nano Hearing Aids for Seniors Rechargeable, BOLSUN Invisible Hearing Amplifier for Adults, Completely-in-Canal Portable Hearing Devices for Elderly, Noise Cancelling and Comfortable to Wear. Product first available: Nov. 8, 2021. Retrieved from website on Mar. 17, 2022 from internet at: [https://www.amazon.com/dp/B09NVYVDDM/ref=sspa\\_dk\\_detail\\_0?psc=1](https://www.amazon.com/dp/B09NVYVDDM/ref=sspa_dk_detail_0?psc=1).\*

(21) Appl. No.: **29/784,025**

(22) Filed: **May 17, 2021**

(51) **LOC (13) Cl.** ..... **24-99**

(52) **U.S. Cl.**  
USPC ..... **D24/174**

(58) **Field of Classification Search**  
USPC ..... D24/173-175, 186, 231; D14/205, 223, D14/224, 225, 226, 249  
CPC ..... H04R 2225/021; H04R 2225/023; H04R 2225/025; H04R 25/604; A45F 5/004; A45F 2205/0516; H01L 23/02; H01Q 7/00; H01Q 13/10

\* cited by examiner

*Primary Examiner* — Anhdao Doan

(74) *Attorney, Agent, or Firm* — Justin Lampel

See application file for complete search history.

(57) **CLAIM**

The ornamental design for a rechargeable hearing aid, as shown and described.

**DESCRIPTION**

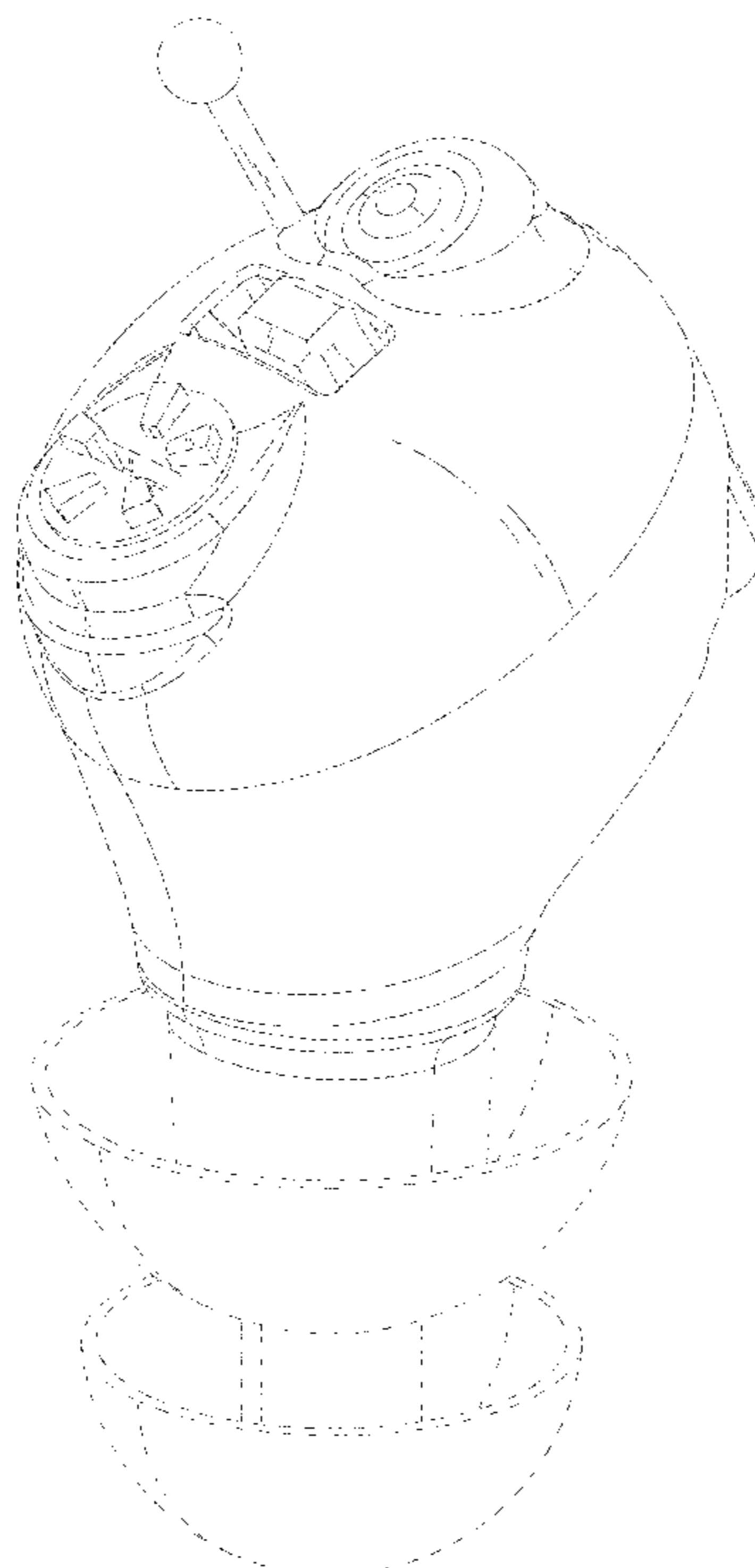
(56) **References Cited**

U.S. PATENT DOCUMENTS

D554,756 S *	11/2007	Sjursen	.....	D24/174
D728,107 S *	4/2015	Torres Martin	.....	D24/174
D895,806 S *	9/2020	Zheng	.....	D24/174
D896,969 S	9/2020	Yu		
D930,839 S *	9/2021	Zhang	.....	D24/174
2005/0232453 A1 *	10/2005	Fideler	.....	H04R 25/604 381/328
2007/0019834 A1 *	1/2007	Nielson	.....	H04R 25/604 381/328
2021/0314713 A1 *	10/2021	Yu	.....	H04R 25/60

FIG. 1 is a perspective view of a rechargeable hearing aid showing the claimed design;  
FIG. 2 is a top plan view thereof;  
FIG. 3 is a left side view thereof;  
FIG. 4 is a front elevational view thereof;  
FIG. 5 is a right side view thereof;  
FIG. 6 is a rear elevational view thereof; and,  
FIG. 7 is a bottom plan view thereof.  
The broken lines illustrate portions of the rechargeable hearing aid that form no part of the claimed design.

**1 Claim, 7 Drawing Sheets**



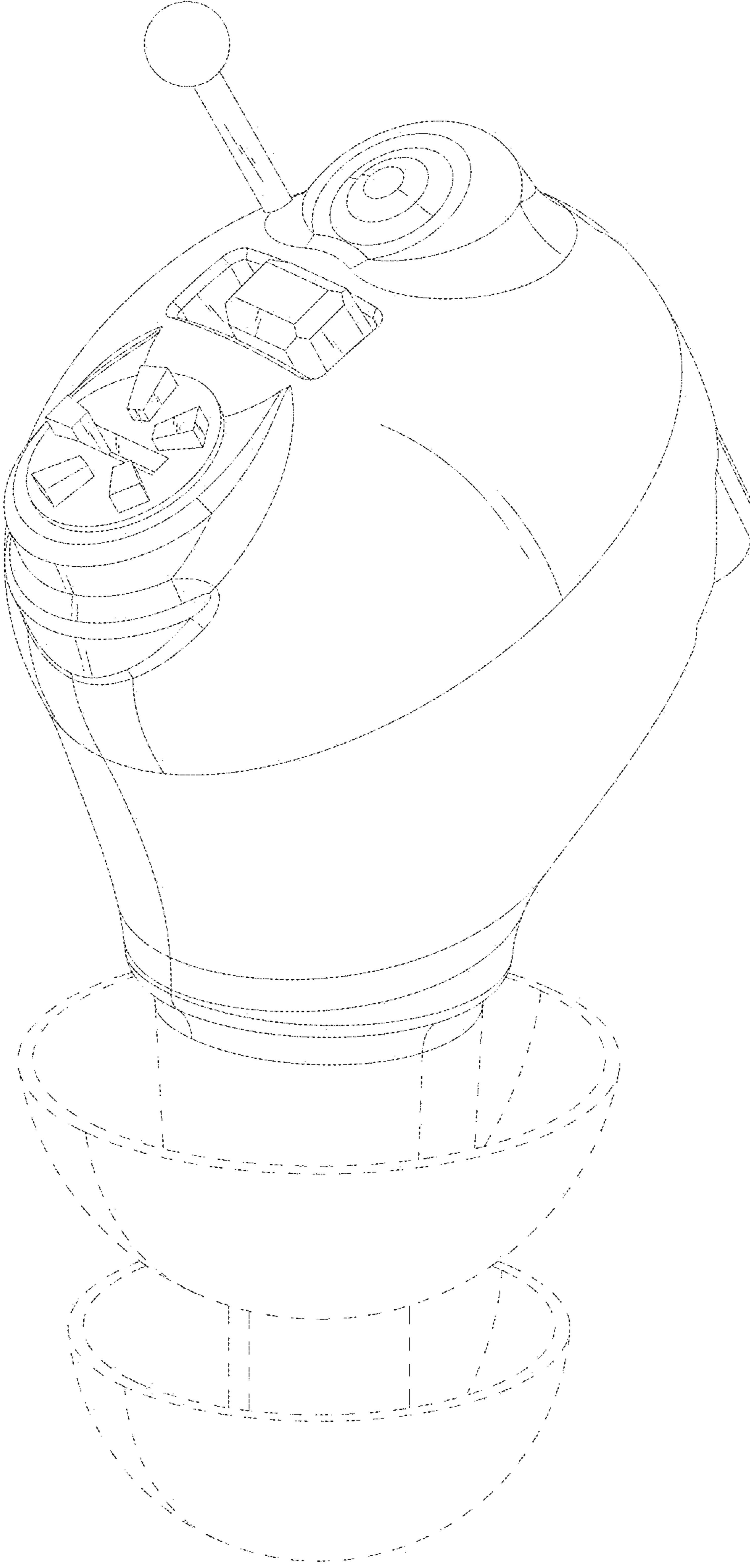


FIG. 1

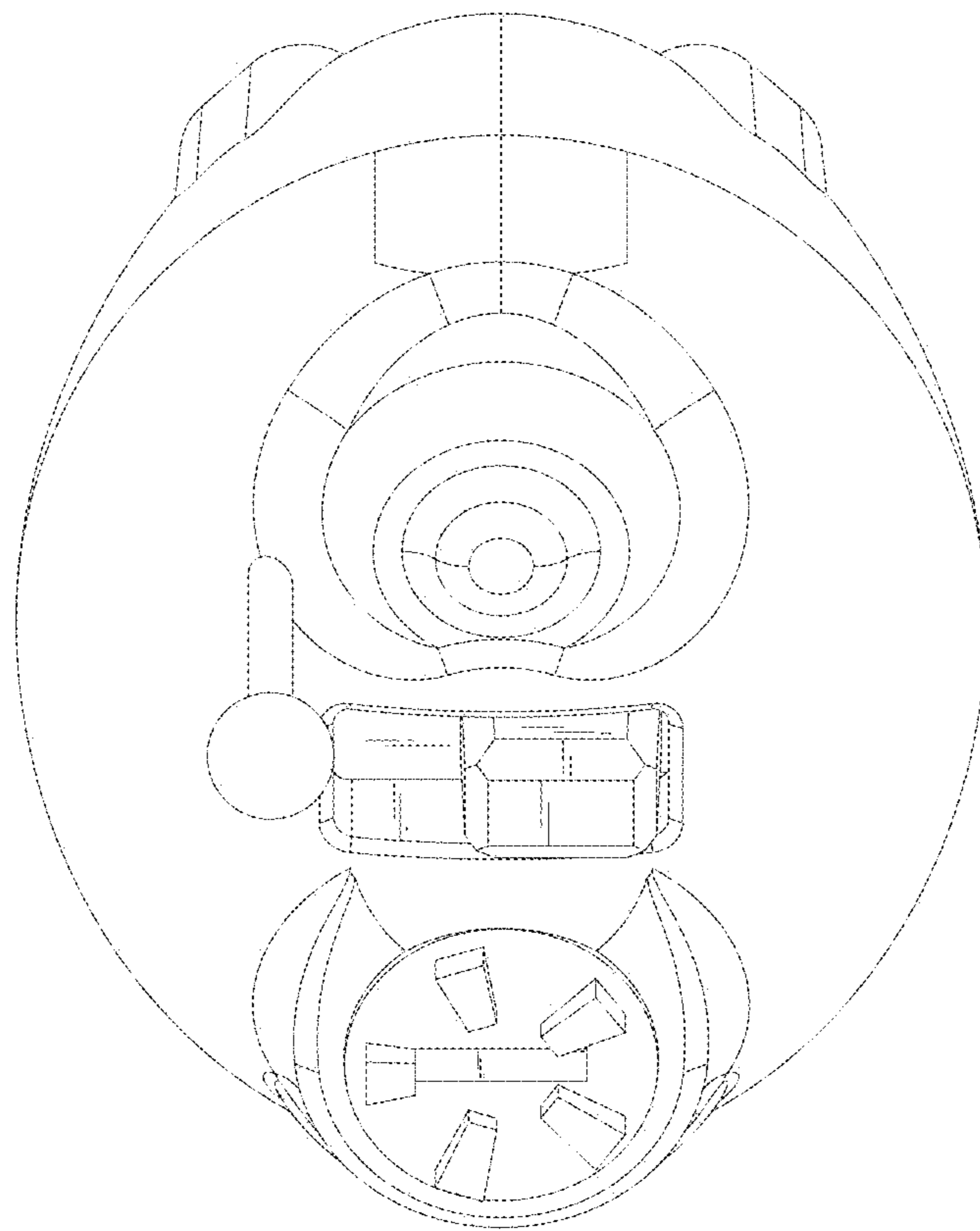


FIG. 2

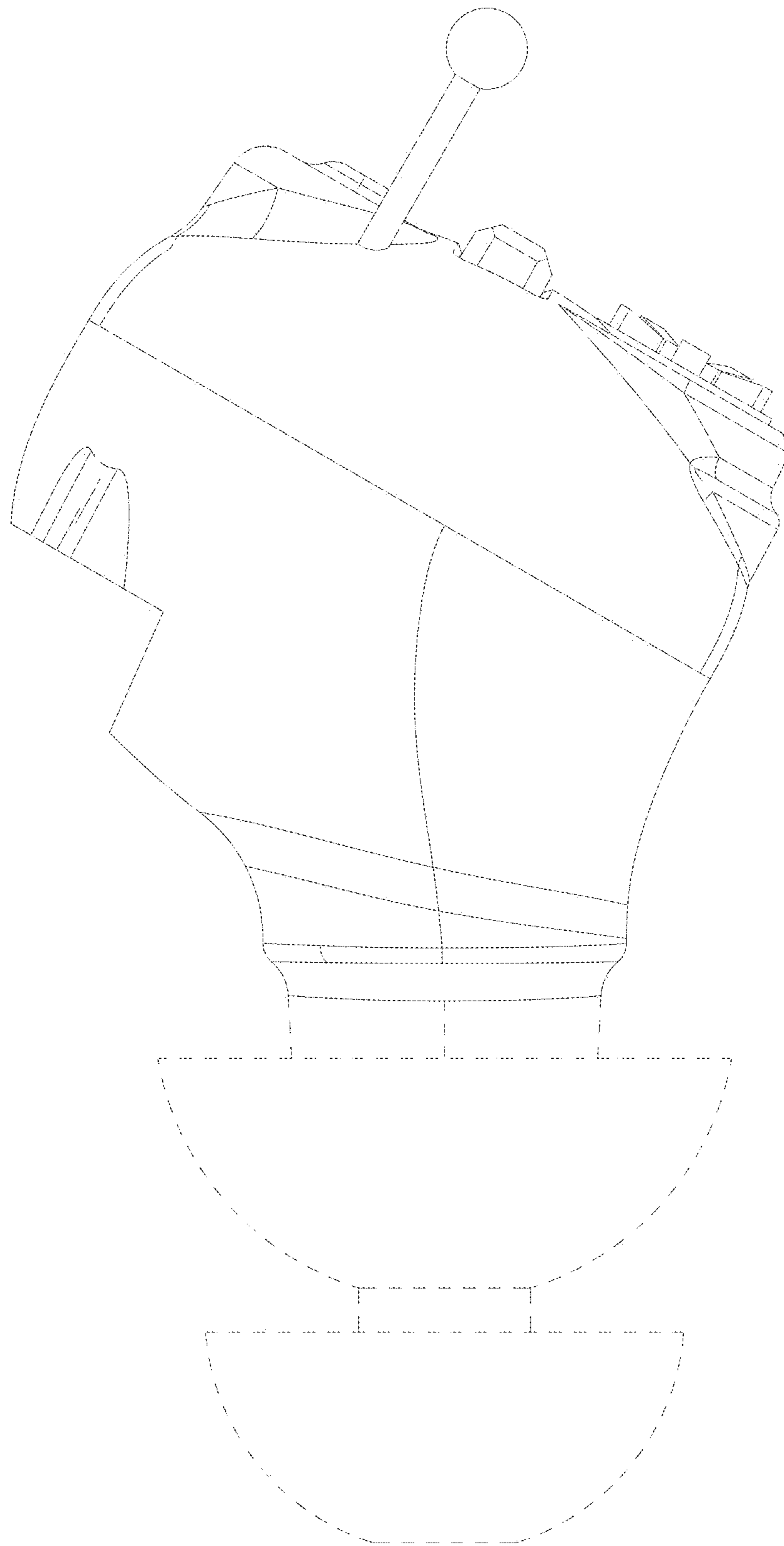


FIG. 3

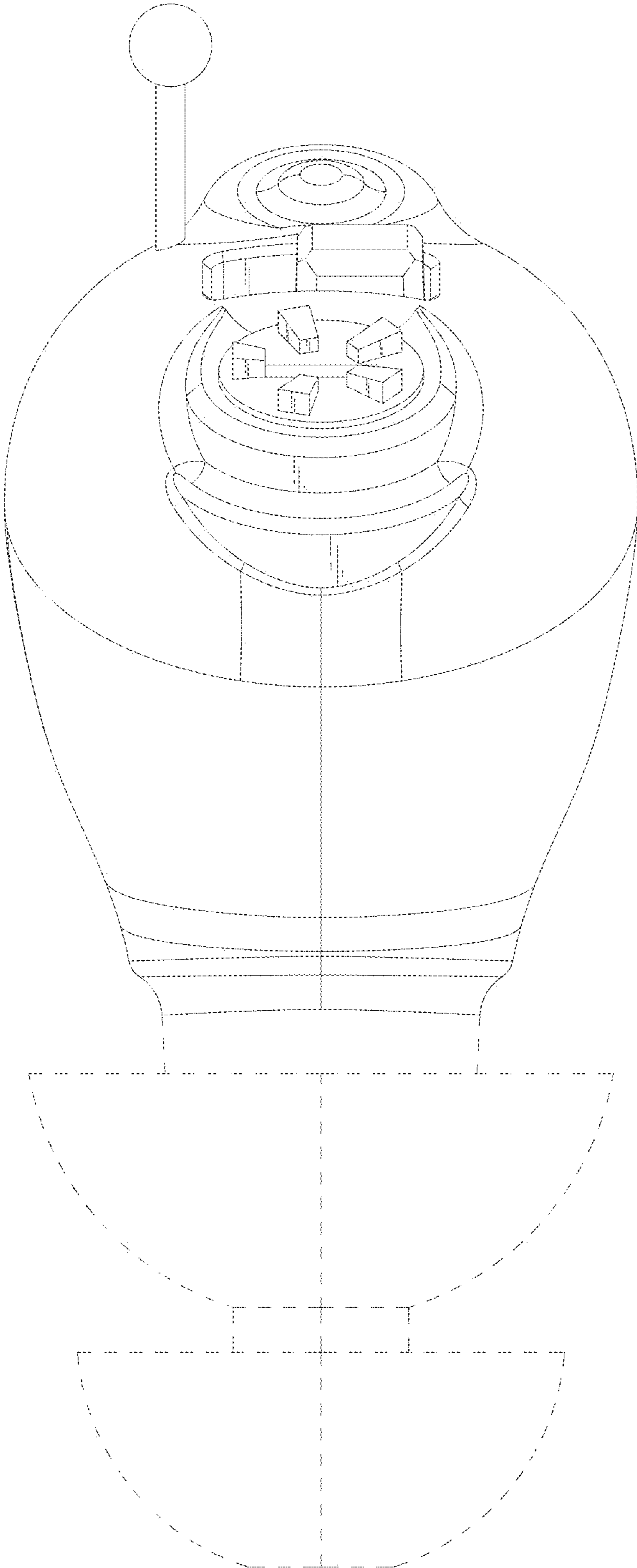


FIG. 4

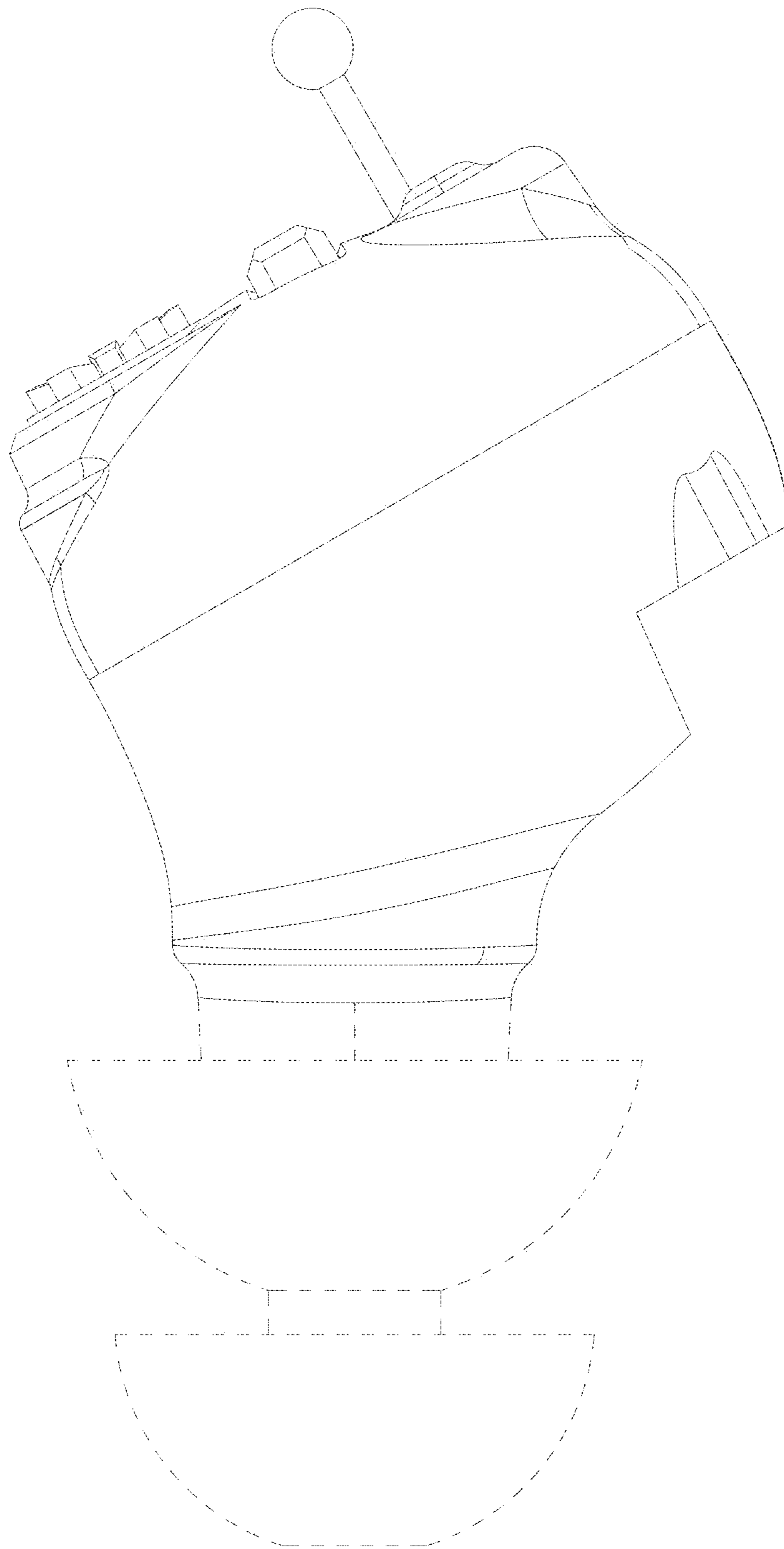


FIG. 5

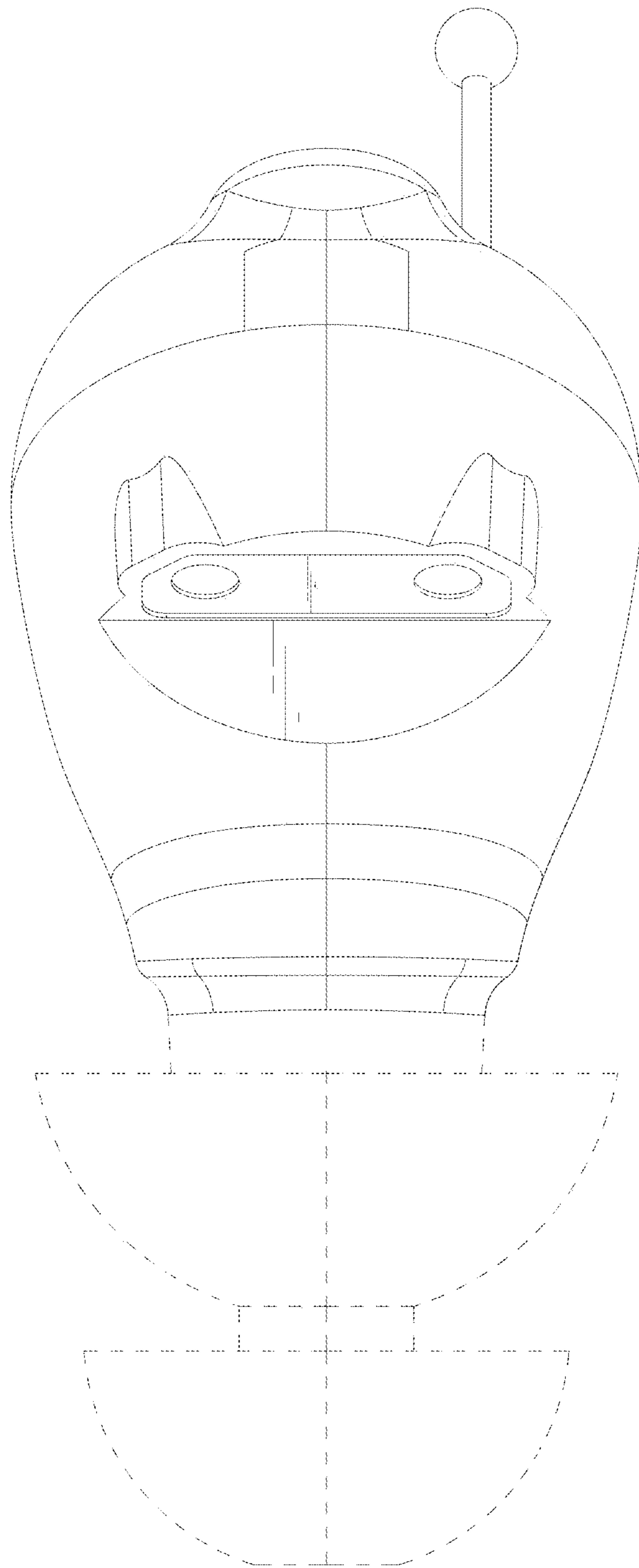


FIG. 6

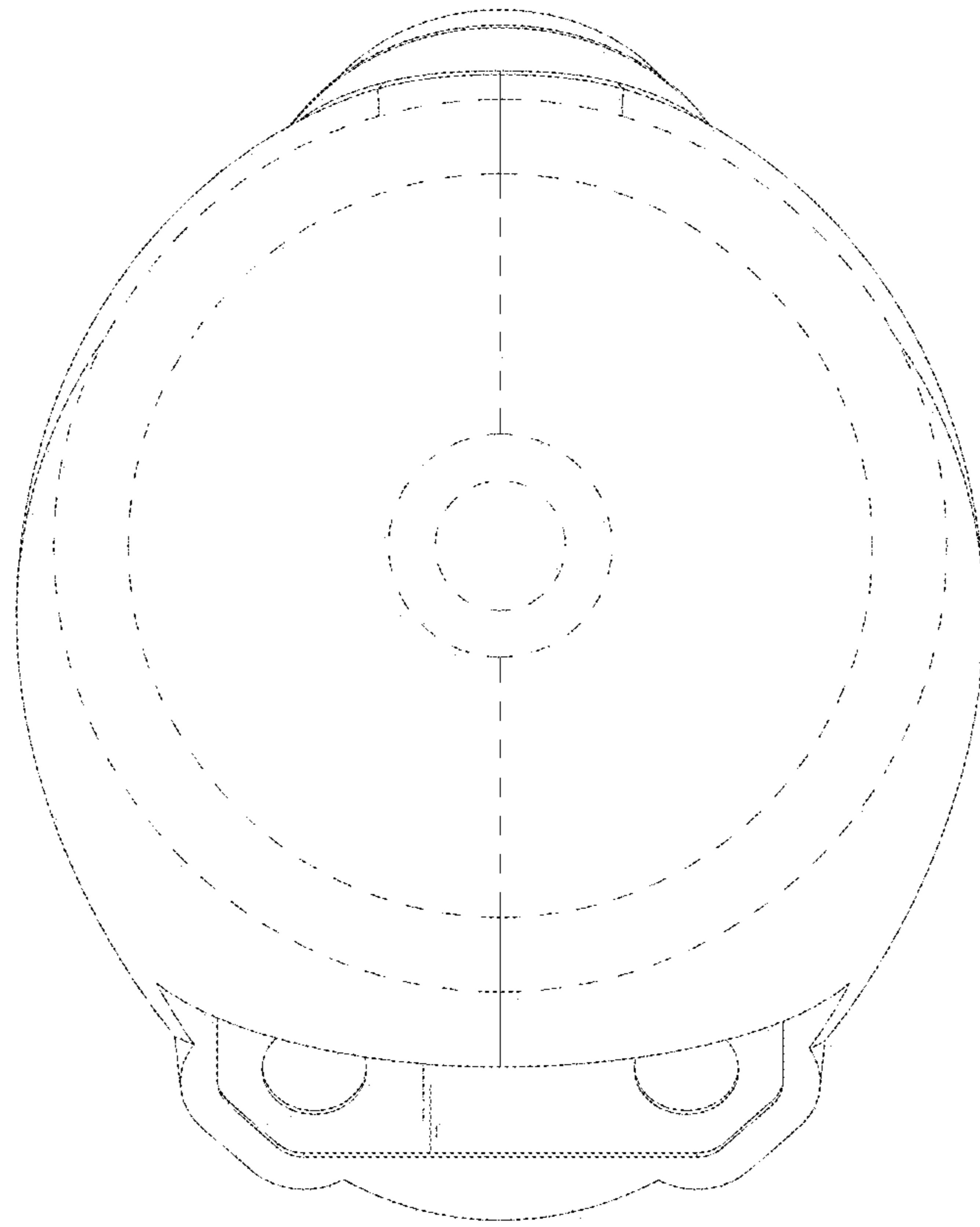


FIG. 7