



US00D953534S

(12) **United States Design Patent** (10) **Patent No.:** **US D953,534 S**
Li (45) **Date of Patent:** **** May 31, 2022**

(54) **SPECTROMETRY OXIMETER FOR CHILDREN**

(71) Applicant: **Guangdong HealthTree Medical Technology Co., Ltd.**, Guangdong (CN)

(72) Inventor: **Dong Li**, Guangdong (CN)

(**) Term: **15 Years**

(21) Appl. No.: **29/740,587**

(22) Filed: **Jul. 6, 2020**

(30) **Foreign Application Priority Data**

May 12, 2020 (CN) 202030214798.6

(51) **LOC (13) Cl.** **24-01**

(52) **U.S. Cl.**
USPC **D24/169**

(58) **Field of Classification Search**
USPC D24/107, 165-169, 186, 187, 200, 164;
D10/70, 98; D14/341, 344
CPC G01N 33/66; G01N 33/49; G01N 33/493;
A61B 5/0205; A61B 5/02427; A61B
5/02438; A61B 5/14552; A61B 5/6626;
A61B 5/6638
See application file for complete search history.

(56) **References Cited**

U.S. PATENT DOCUMENTS

D670,388 S	*	11/2012	Jin	D24/169
D691,726 S	*	10/2013	Jin	D24/169
D903,872 S	*	12/2020	Wang	D24/169
D918,394 S	*	5/2021	Hu	D24/169
D922,582 S	*	6/2021	Peng	D24/169
D925,742 S	*	7/2021	Zhang	D24/169
D926,324 S	*	7/2021	Zhang	D24/169
2010/0317944 A1	*	12/2010	Wang	A61B 5/6838 600/323
2019/0090795 A1	*	3/2019	Boller	A61B 5/14552

FOREIGN PATENT DOCUMENTS

GB 9007158118-0010 * 11/2019

OTHER PUBLICATIONS

Amazon.com: Children Fingertip Pulse Oximeter Blood Oxygen Saturation Monitor for Baby Kids and Pediatric Portable Oxygen Monitor with OLED Screen Included Batteries. Product first available: Jun. 11, 2021. Retrieved from website: <https://www.amazon.com/Children-Fingertip-Saturation-Pediatric-Batteries/dp/B093WR3RFB>.*

Child Pulse Oximeter, Oxygen Monitor for Kids Baby and Pediatric Blood Oxygen Saturation Heart Rate Monitor with Automatic Shut-Down, One Directions OLED Display, Include 2xAAA Batteries (Purple). Amazon. Product available Oct. 16, 2019. Retrieved on Nov. 24, 2021 from internet at: https://www.amazon.com/dp/B07V9SNMH2/ref=sspa_dk_detail_1?psc=1&spLa=ZW5jcnlwdGVkUXVhbGlmaWVyPUFQOFIzR1BQMTZPR1UmZW5jcnlwdGVkSWQ9QTA1NjA5NDExUkMzOVICNjZRNkpOJmVuY3J5cHRIZEFkSWQ9QTAxMTYyMzhCMFRV1BRzNzNm1kmd2lkZ2V0TmFtZT1zcF9kZXRhaWwyJmFjdGlvb1JlZGlja1JIZGIyZW50JmRvTm90TG9nQ2xpY2s9dHJ1ZQ==.*

* cited by examiner

Primary Examiner — Anhdao Doan

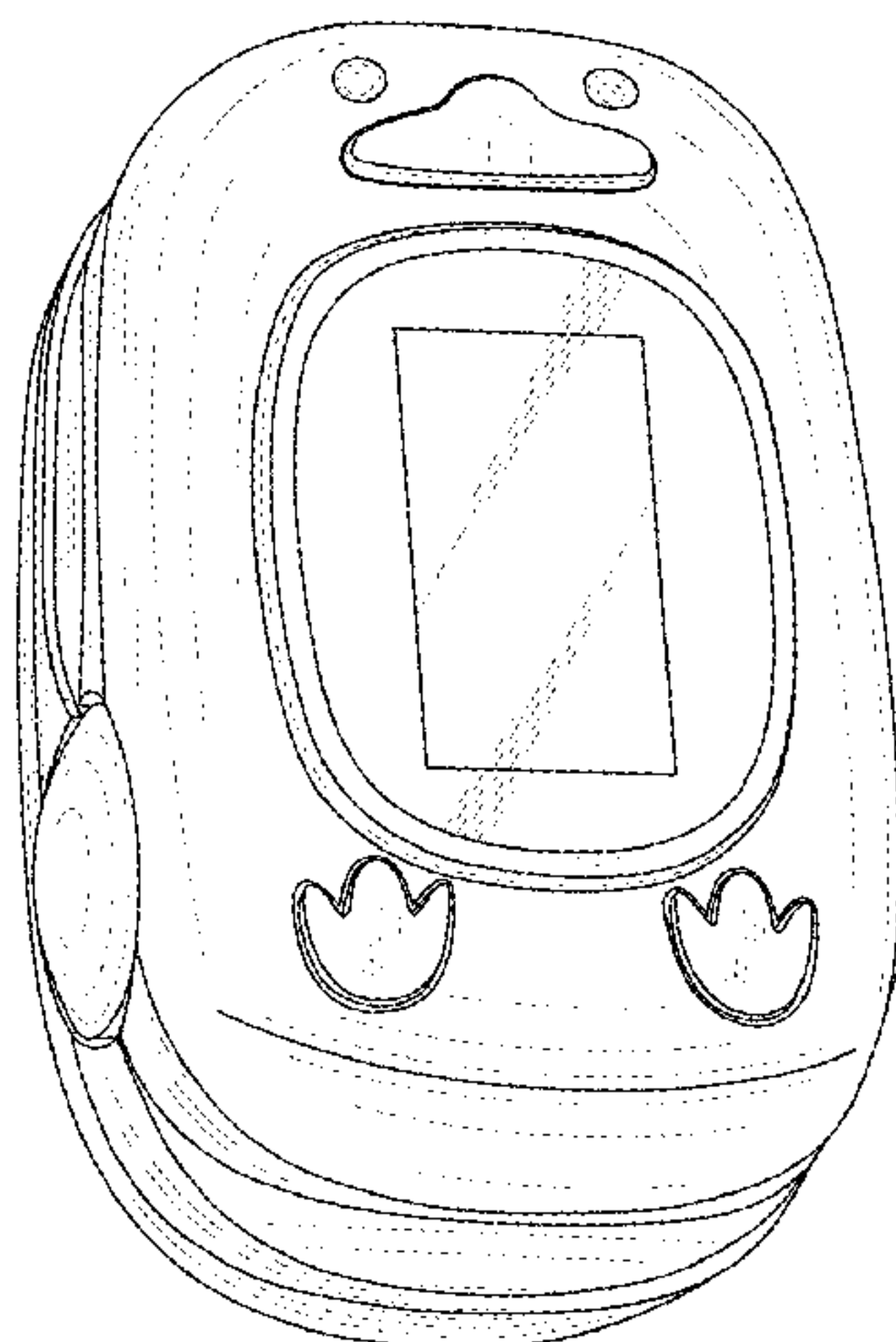
(57) **CLAIM**

The ornamental design for a spectrometry oximeter for children, as shown and described.

DESCRIPTION

FIG. 1 is a perspective view of the spectrometry oximeter for children;
FIG. 2 is a front elevational view thereof;
FIG. 3 is a rear elevational view thereof;
FIG. 4 is a left side elevational view thereof;
FIG. 5 is a right side elevational view thereof;
FIG. 6 is a top plan view thereof; and,
FIG. 7 is a bottom plan view thereof.
The broken lines illustrate portions of the spectrometry oximeter for children that form no part of the claimed design.

1 Claim, 7 Drawing Sheets



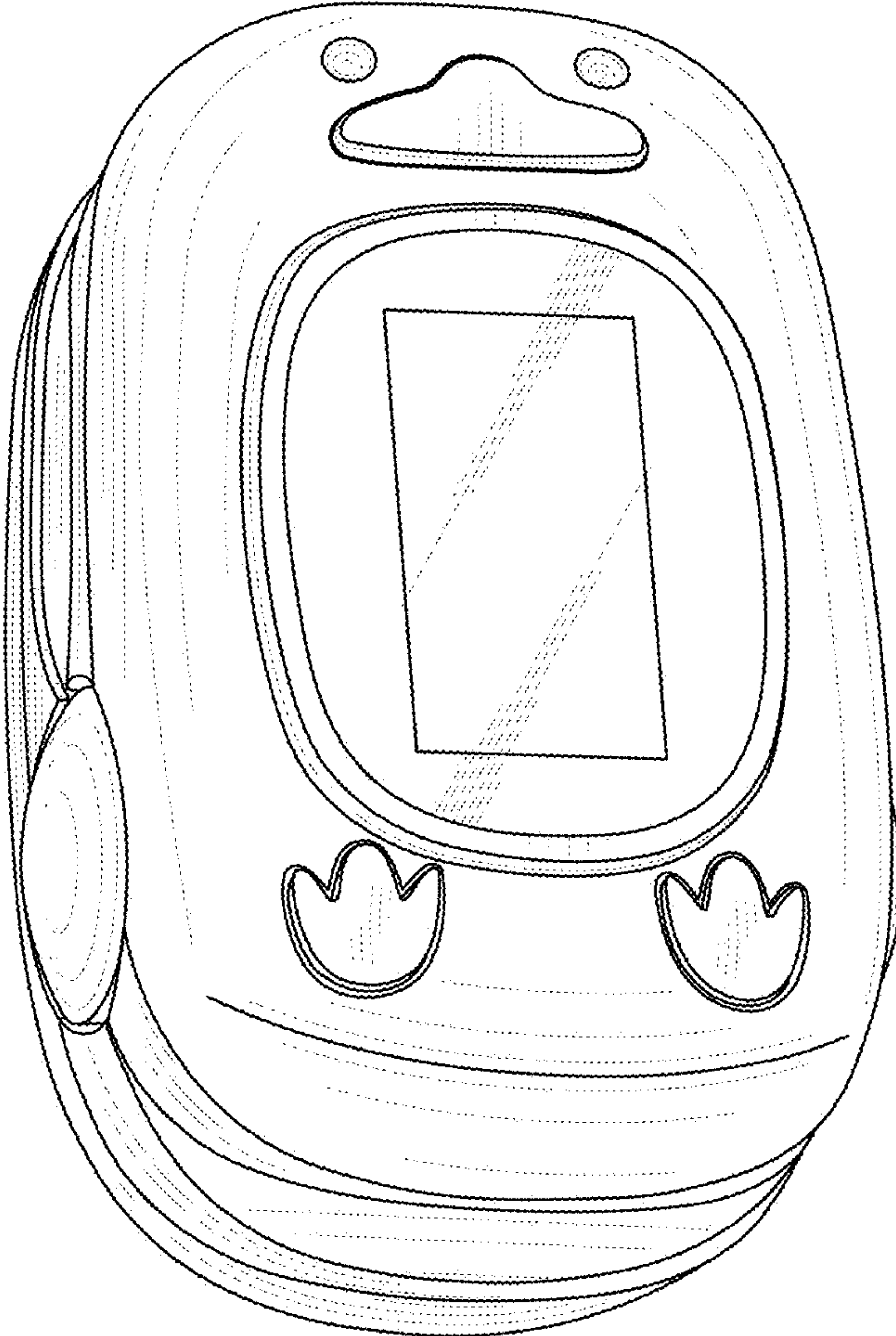


Figure 1

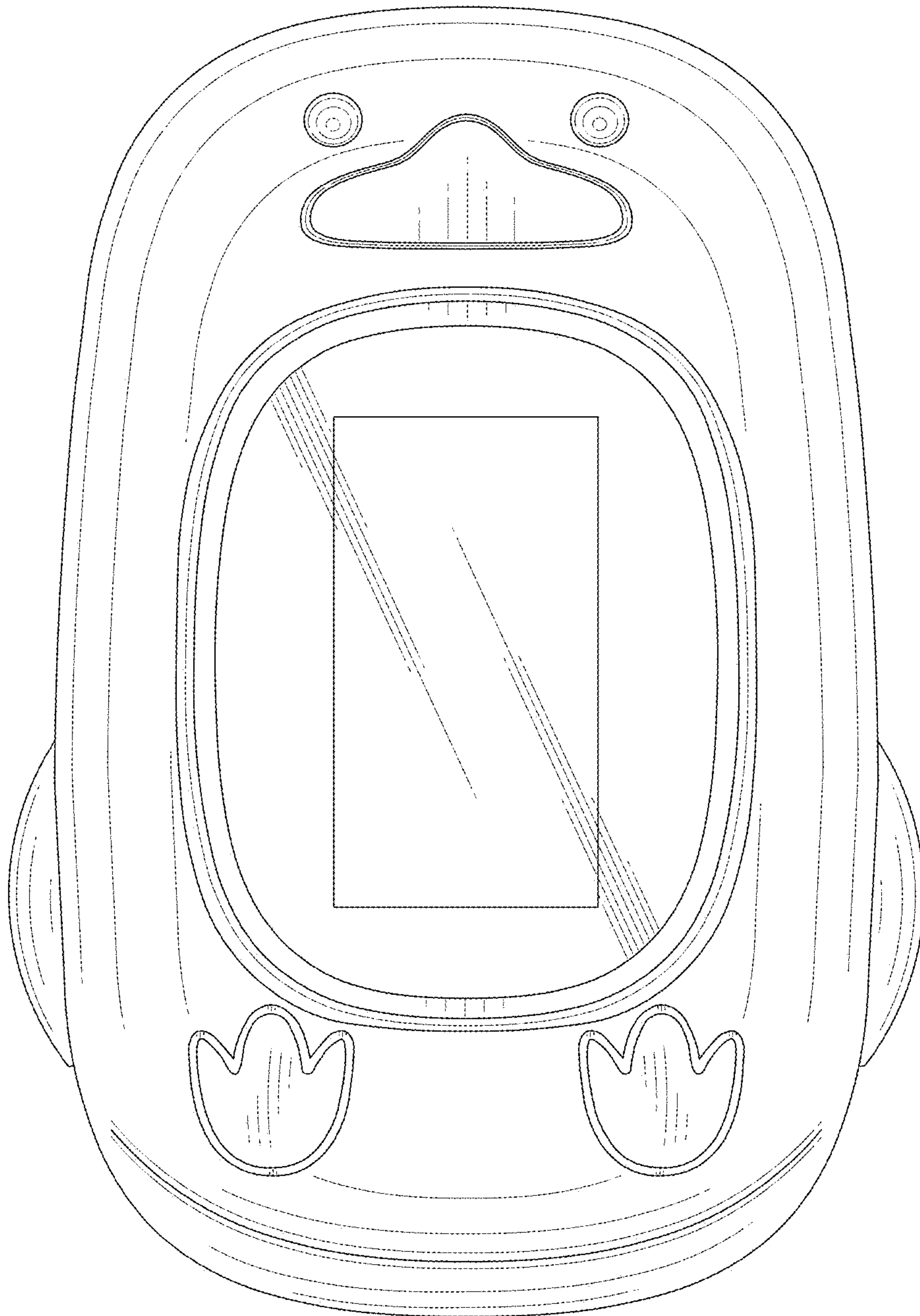


FIG. 2

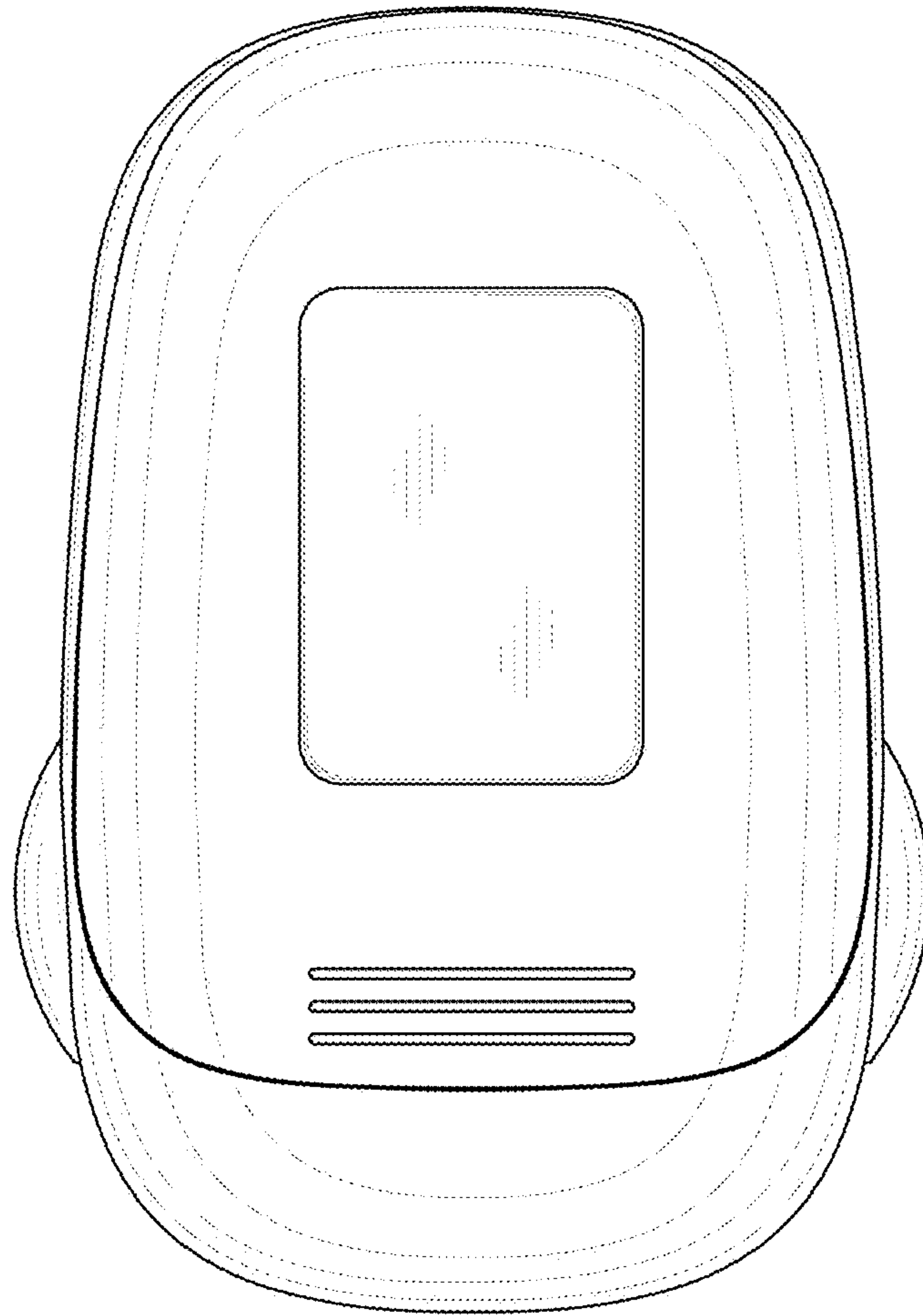


Figure 3

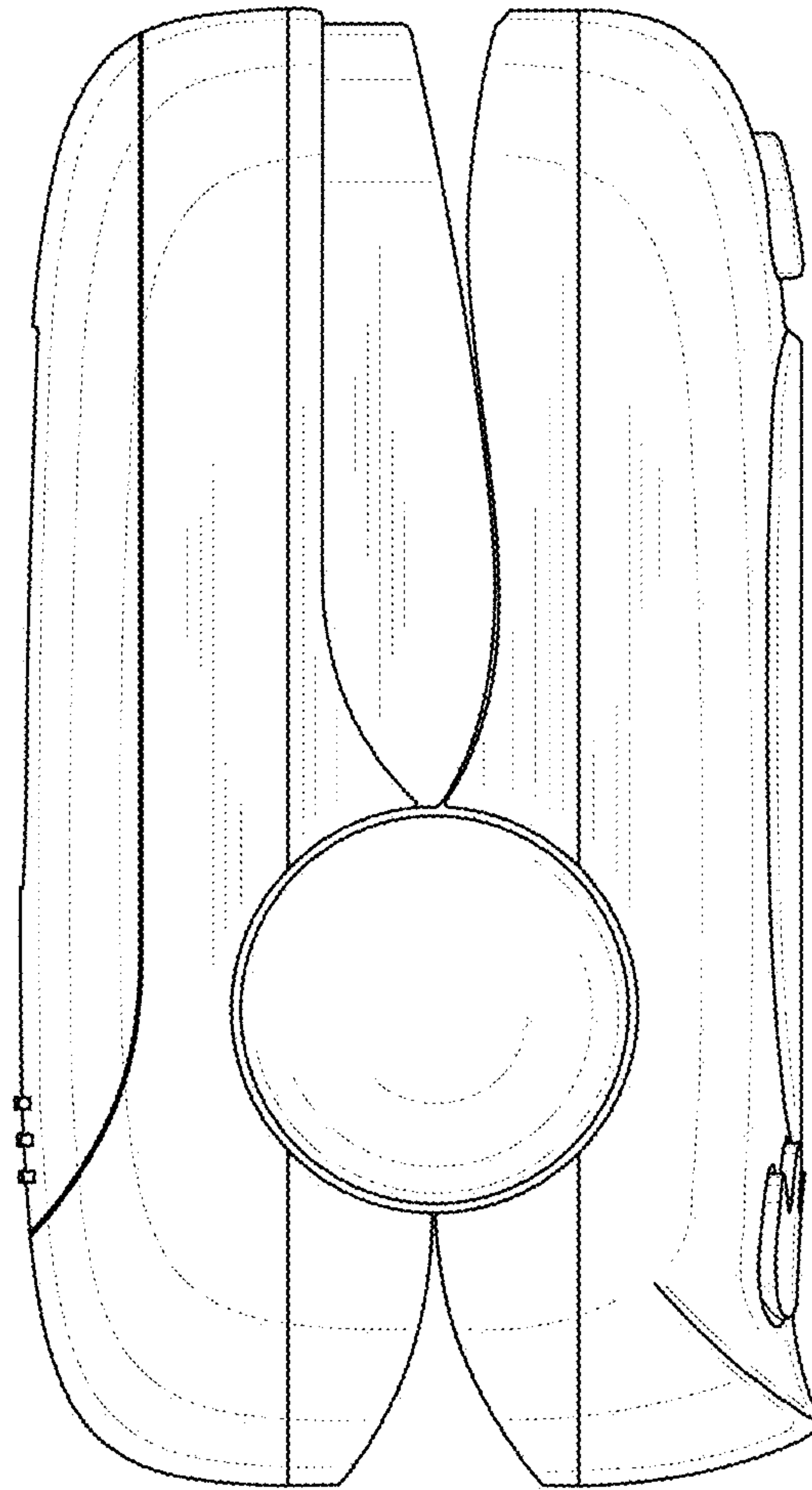


Figure 4

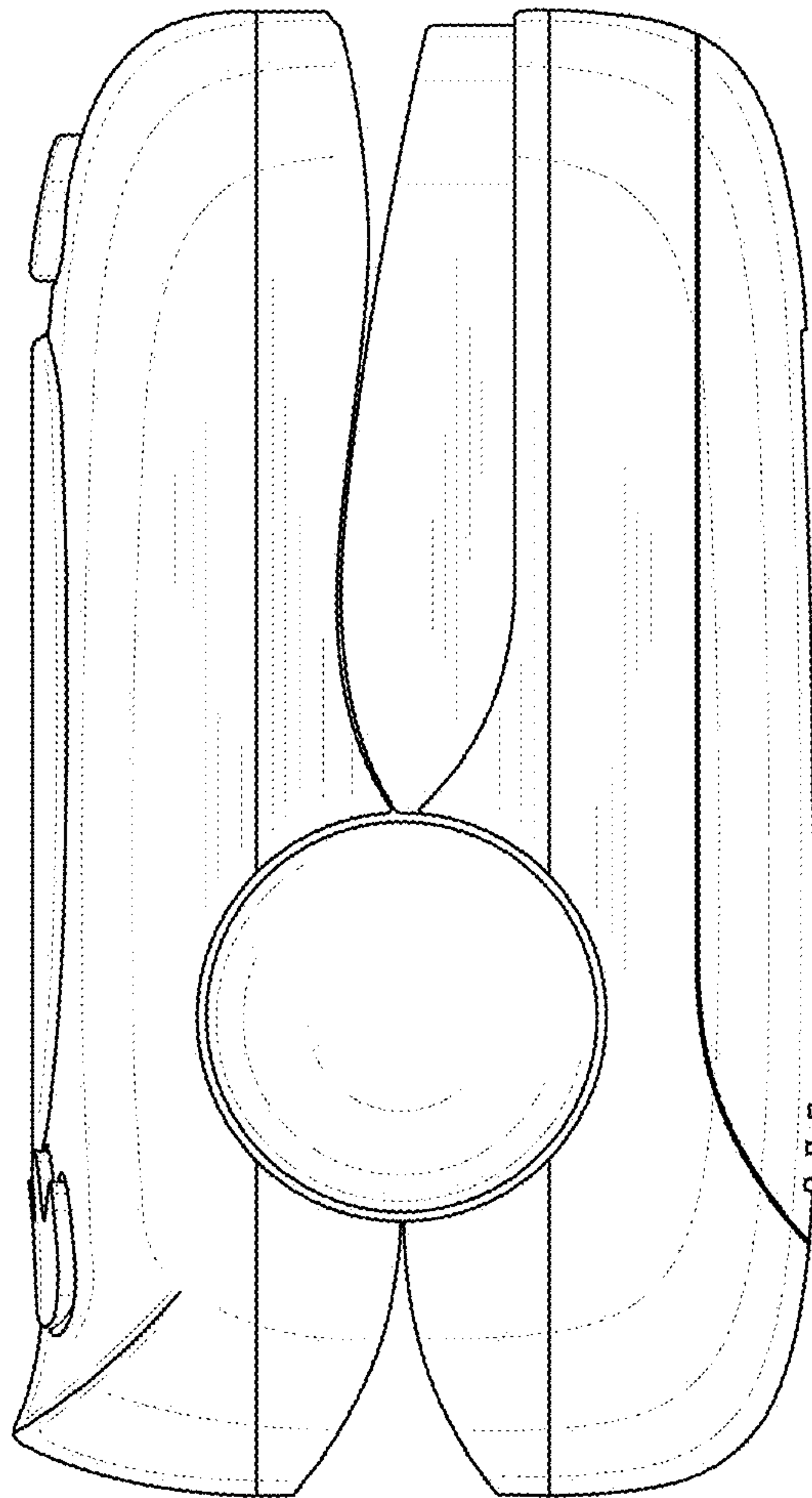


Figure 5

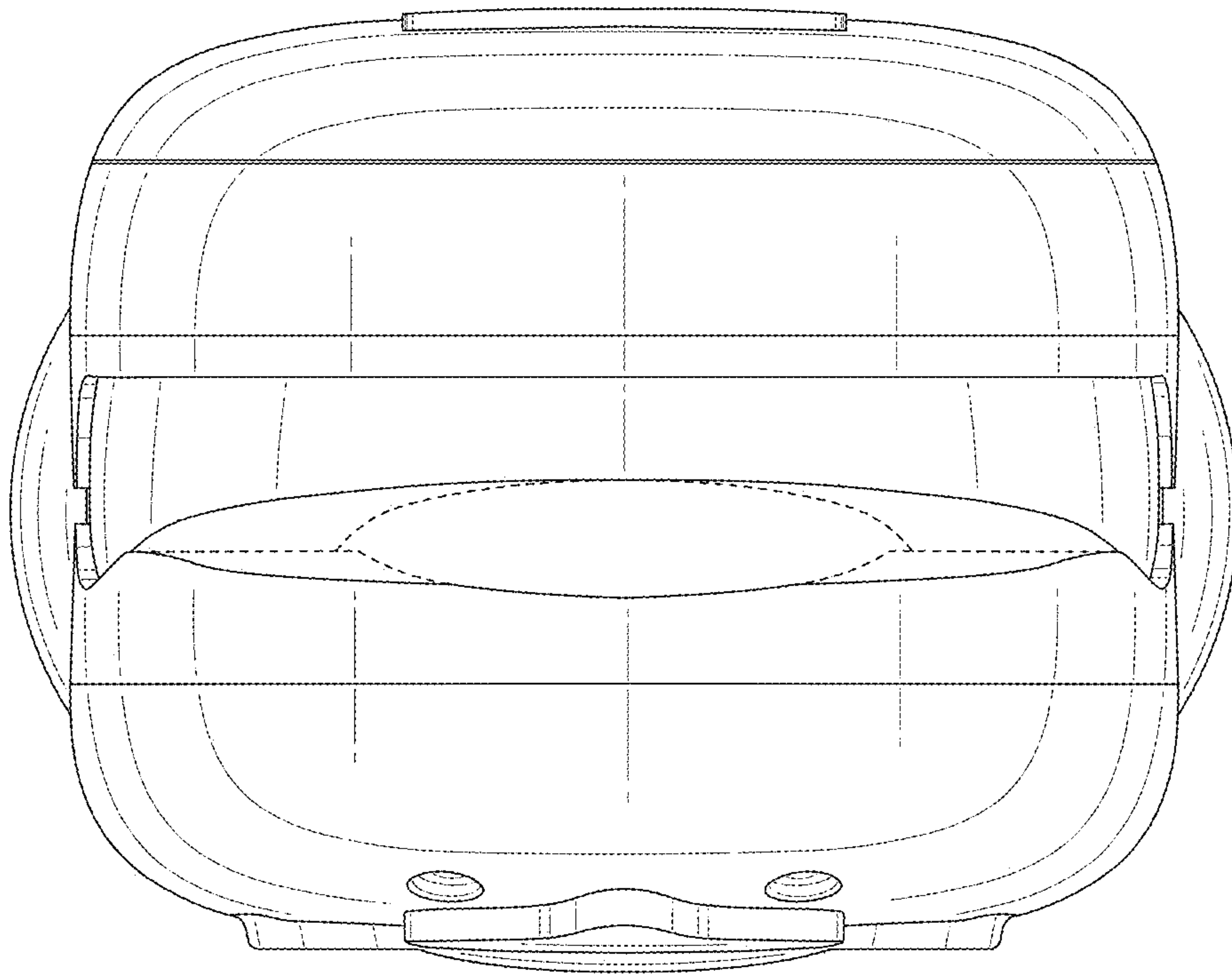


FIG. 6

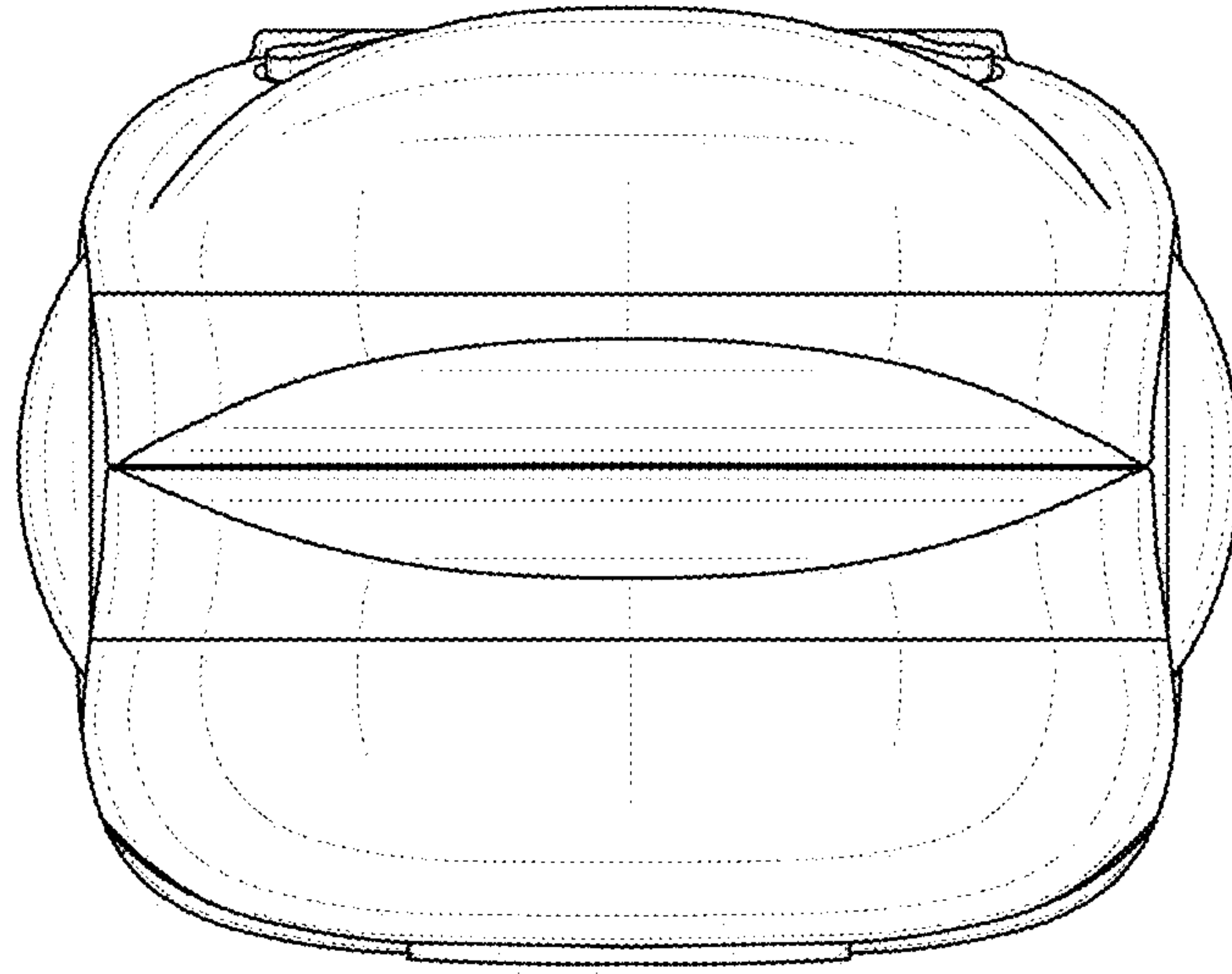


Figure 7