



US00D953532S

(12) **United States Design Patent** (10) **Patent No.:** **US D953,532 S**
Stallard et al. (45) **Date of Patent:** **** May 31, 2022**

(54) **IMPLANTABLE NEURAL STIMULATION DEVICE**

(71) Applicant: **Saluda Medical Pty Limited**, Artarmon (AU)

(72) Inventors: **Phil Stallard**, Artarmon (AU); **Peter Scott Vallack Single**, Artarmon (AU)

(73) Assignee: **SALUDA MEDICAL PTY LIMITED**, Artarmon (AU)

(**) Term: **15 Years**

(21) Appl. No.: **29/726,324**

(22) Filed: **Mar. 2, 2020**

(30) **Foreign Application Priority Data**

Sep. 4, 2019 (AU) 201915102

(51) **LOC (13) Cl.** **24-03**

(52) **U.S. Cl.**
USPC **D24/155**

(58) **Field of Classification Search**
USPC D2/617; D3/201, 203.1, 203.6, 203.7, D3/304, 306, 314; D8/382; D14/205, D14/223; D15/199; D24/101, 102, 104, D24/133, 141, 155, 171, 188, 190, 193, D24/194, 196, 216, 224, 227, 228, 229, D24/135, 152, 217, 200, 231; D29/123; D28/76, 85

CPC .. A41D 19/00; A41D 19/0017; A41D 19/015; A41D 19/0055; A61B 17/80; A61B 2017/00292; A61B 2017/00796; A61B 2017/00969; A61B 50/30; A61B 50/33; A61B 17/8033; A61B 17/8038; A61B 17/8042; A61B 17/8047; A61B 17/8052; A61B 17/8061; A61B 17/86; A61B 17/68; A61B 17/683; A61B 2017/564; A61B 17/808; A61B 17/8869; A61B 17/8019; A61B 17/8057; A61B 50/34; A61F 2/00; A61F 2/02; A61F 2002/046; A61F 2/12;

(Continued)

(56) **References Cited**

U.S. PATENT DOCUMENTS

D337,820 S * 7/1993 Hooper D24/155
5,313,953 A 5/1994 Yomotov et al.

(Continued)

FOREIGN PATENT DOCUMENTS

WO 2004087256 10/2004
WO WO-2010051123 A1 * 5/2010 A61B 5/0538

OTHER PUBLICATIONS

Youtube, "Special Device May Help Alleviate Back Pain", first available Jun. 26, 2017. (https://www.youtube.com/watch?v=fstvx_CCrjY) (Year: 2017).*

(Continued)

Primary Examiner — Lauren D McVey
Assistant Examiner — Justin A Johnson

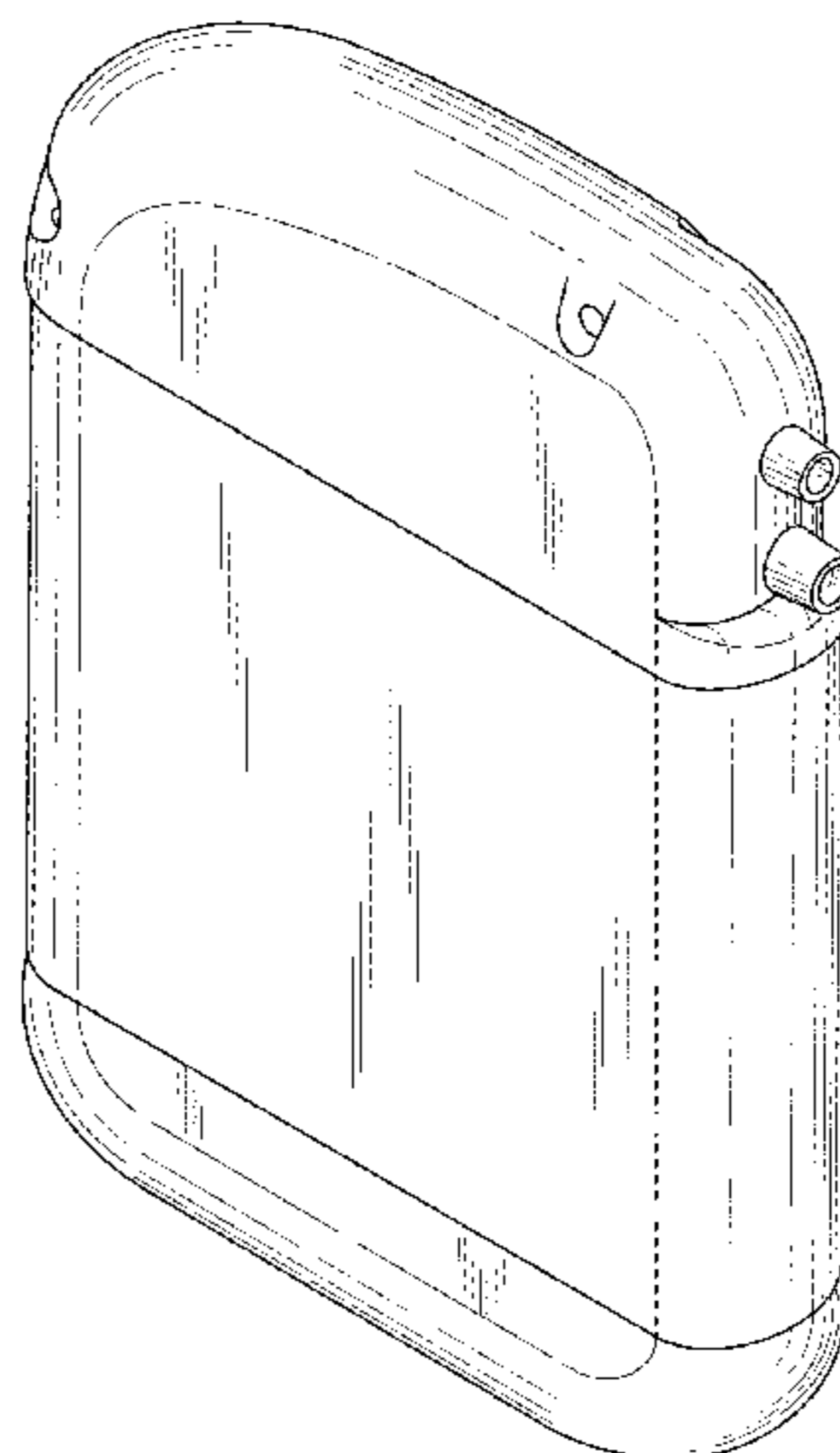
(57) **CLAIM**

The ornamental design for the implantable neural stimulation device, as shown and described.

DESCRIPTION

FIG. 1 is a front perspective of an implantable neural stimulation device showing my new design;
FIG. 2 is a back elevation thereof;
FIG. 3 is a front elevation thereof;
FIG. 4 is a right side elevation thereof;
FIG. 5 is a left side elevation thereof;
FIG. 6 is a top elevation thereof;
FIG. 7 is a bottom elevation thereof; and,
FIG. 8 is a back perspective thereof.
The broken lines illustrate portions of the implantable neural stimulation device and form no part of the claimed design.

1 Claim, 6 Drawing Sheets



(58) **Field of Classification Search**

CPC A61F 2/20; A61F 2/203; A61F 2/26; A61F 2/28; A61F 2002/2853; A61F 2/30; A61F 2/50; A61F 2002/5038; A61F 2002/5058; A61F 2002/5064; A61F 2/52; A61F 2002/526; A61F 2/54; A61F 2/583; A61F 2/60; A61F 2/604; A61F 2/64; A61F 2/66; A61F 2002/6614; A61F 2002/6621; A61F 2002/6628; A61F 2/82; A61F 2/86; A61F 2/88; A61F 2/885; A61F 2002/4018; A61F 2002/4022; A61F 2002/4029; A61F 2002/4033; A61F 2002/4037; A61F 2002/4044; A61F 2002/4051; A61F 2/4059; A61F 2002/4062; A61F 2002/4066; A61F 2002/407; A61F 2002/4074; A61F 2002/4077; A61F 2/4081; A61F 2002/4085; A61F 2002/4088; A61F 2002/4092; A61F 2002/4096; A61F 2/442; A61F 2/4425; A61F 2/4455; A61F 2/4465; A61F 2/447; A61F 2/4611; A61F 2002/2817; A61F 2002/2835; A61F 2002/3083; A61F 2002/30092; A61F 2002/30523; A61F 2002/30538; A61F 2/30771; A61F 2/30942; A61F 2002/30617; A61F 2002/30774; A61F 2002/30784; A61F 2002/30892; A61F 2002/30828; A61F 2002/3008; A61F 2002/30428; A61F 2002/30471; A61F 2002/30507; A61F 2002/30904; A61F 2002/30421; A61F 2002/443; A61F 2/30749; A61F 2002/30332; A61F 2002/30336; A61F 2002/30349; A61F 2002/30367; A61F 2002/305; A61F 2002/30878; A61N 1/05; A61N 1/0551; A61N 1/20; A61N 1/36071; A61M 16/04; A61L 27/58; A61L 27/34; A61L 27/3843; A61L 27/24; A61L 2/26; A61L 2002/24; A61K 27/3843

See application file for complete search history.

(56) **References Cited**

U.S. PATENT DOCUMENTS

6,026,328	A	2/2000	Peckham et al.	
8,929,986	B2	1/2015	Parker et al.	
D736,383	S *	8/2015	Parker	H01R 13/5224 D24/155
2010/0019985	A1	1/2010	Bashyam et al.	
2010/0197174	A1 *	8/2010	Lahti	H01R 13/5224 439/733.1
2010/0234921	A1 *	9/2010	Torgerson	A61N 1/36142 607/61
2011/0004279	A1 *	1/2011	North	H01R 24/58 607/72
2011/0065301	A1 *	3/2011	Boyd	H01R 13/5224 439/271
2011/0190833	A1	8/2011	Ries et al.	
2011/0190842	A1	8/2011	Johnson et al.	
2014/0067354	A1 *	3/2014	Kaula	G09B 23/30 703/11
2017/0072199	A1 *	3/2017	Biele	A61N 1/0558
2017/0100597	A1	4/2017	Barror et al.	
2017/0303424	A1	10/2017	Bobgan et al.	
2019/0134386	A1 *	5/2019	Romo-Nava	A61N 1/20
2019/0175904	A1 *	6/2019	Baru	A61N 1/0551
2020/0001094	A1 *	1/2020	Iyer	H01F 41/10
2020/0155833	A1 *	5/2020	Villarta	A61N 1/0551

OTHER PUBLICATIONS

MPO, "Lasting Impacts: A Roundtable Discussion on Implantable Medical Technology", first available Sep. 1, 2017. (https://www.mpo-mag.com/issues/2017-09-01/view_features/lasting-impacts-a-roundtable-discussion-on-implantable-medical-technology/) (Year: 2017).*

Yahoo Finance, "3 Reasons Why Nevro Corp. Was Downgraded By Morgan Stanley", first available Jul. 2, 2018. (https://finance.yahoo.com/news/3-reasons-why-nevro-corp-160116752.html?soc_src=social-sh&soc_trk=ma) (Year: 2018).*

Implantable-Device.com, "FDA Approves breakthrough Optimizer® Smart System", first available Mar. 22, 2019. (<http://www.implantable-device.com/2019/03/22/fda-approves-breakthrough-optimizer-smart-system-delivering-ccm-therapy-for-treatment-of-heart-failure/>) (Year: 2019).*

PCT; International Search Report in the PCT Application No. PCT/AU2019/050665 dated Jul. 11, 2019.

* cited by examiner

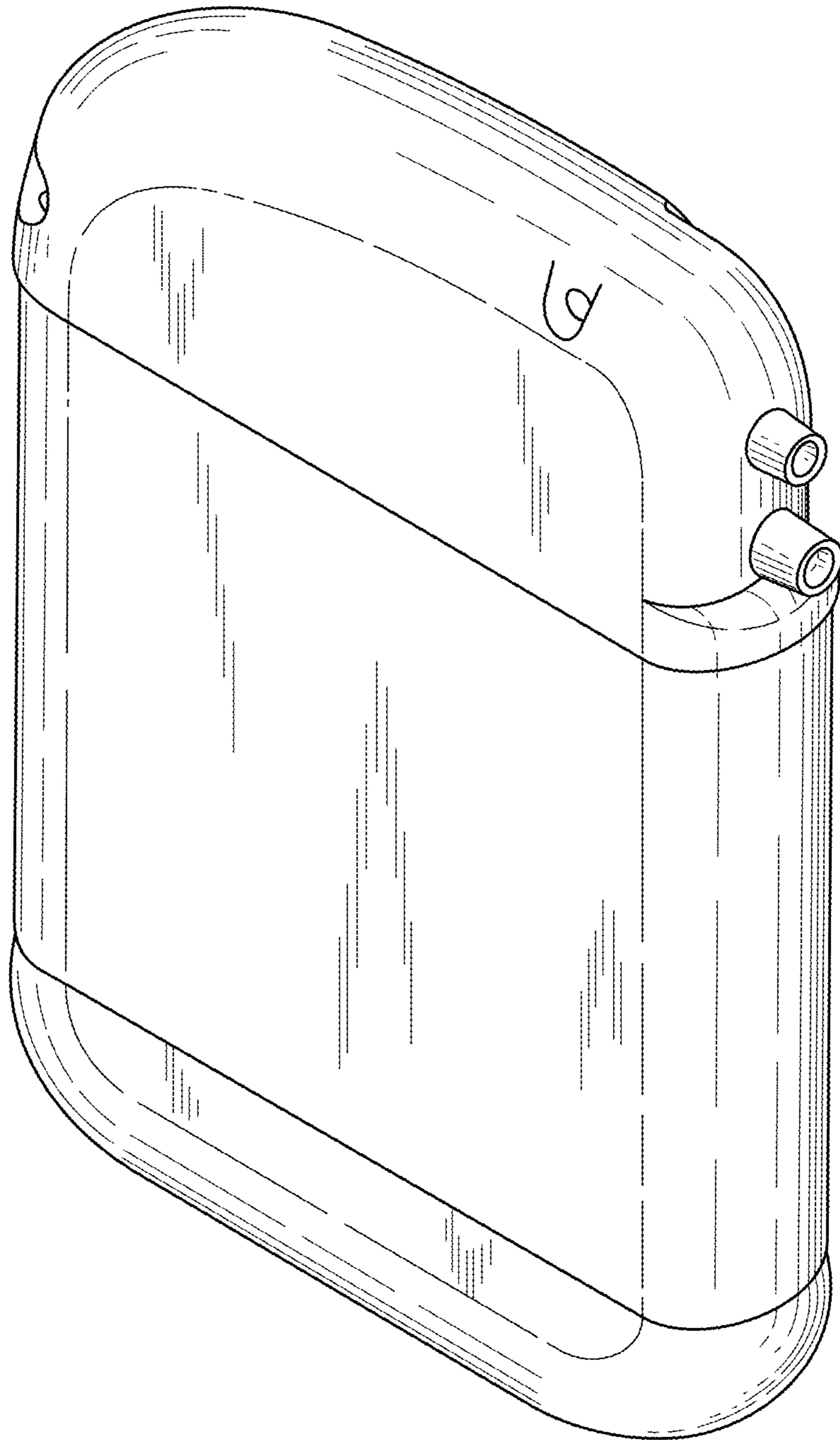


FIG. 1

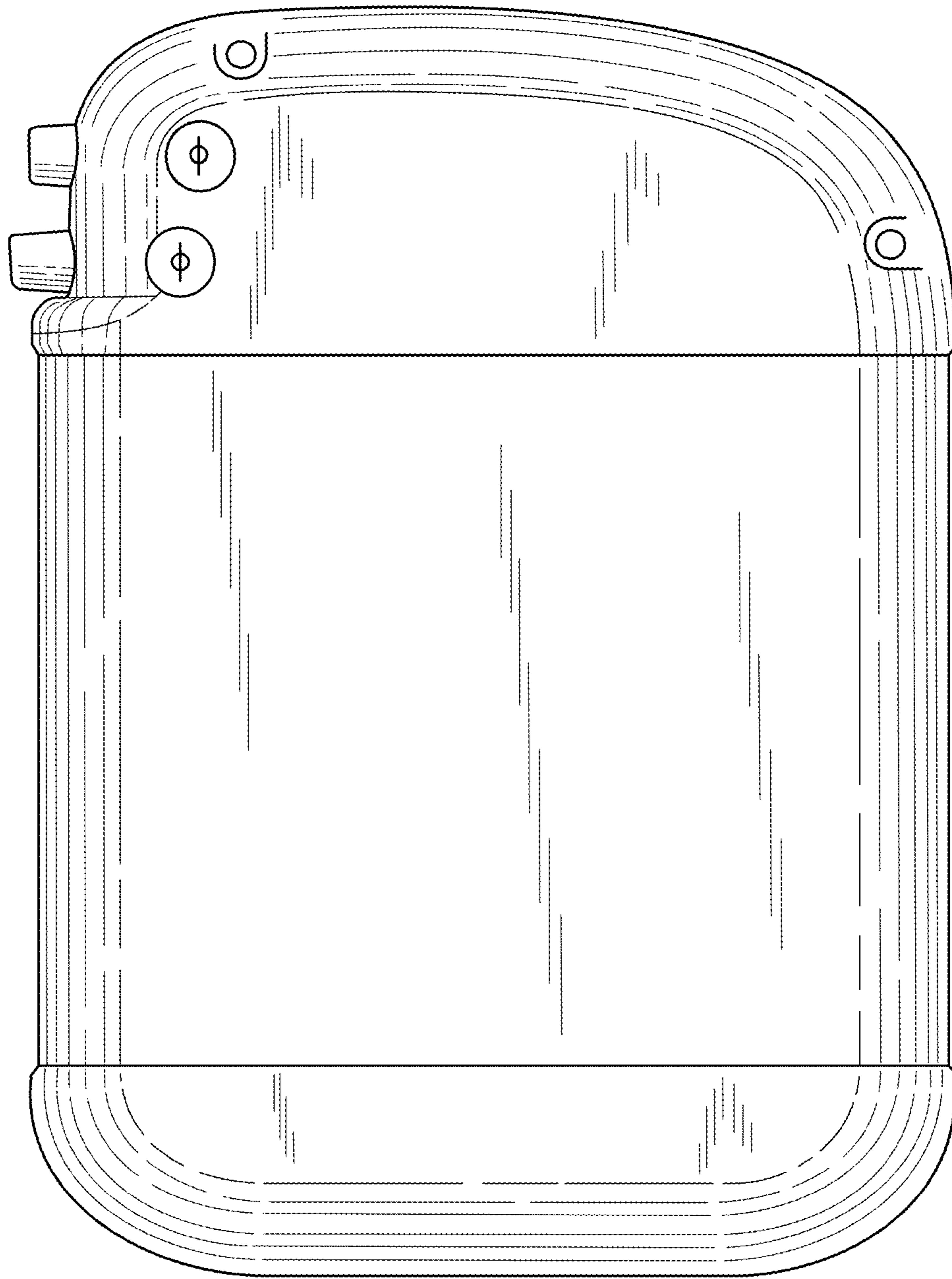


FIG. 2

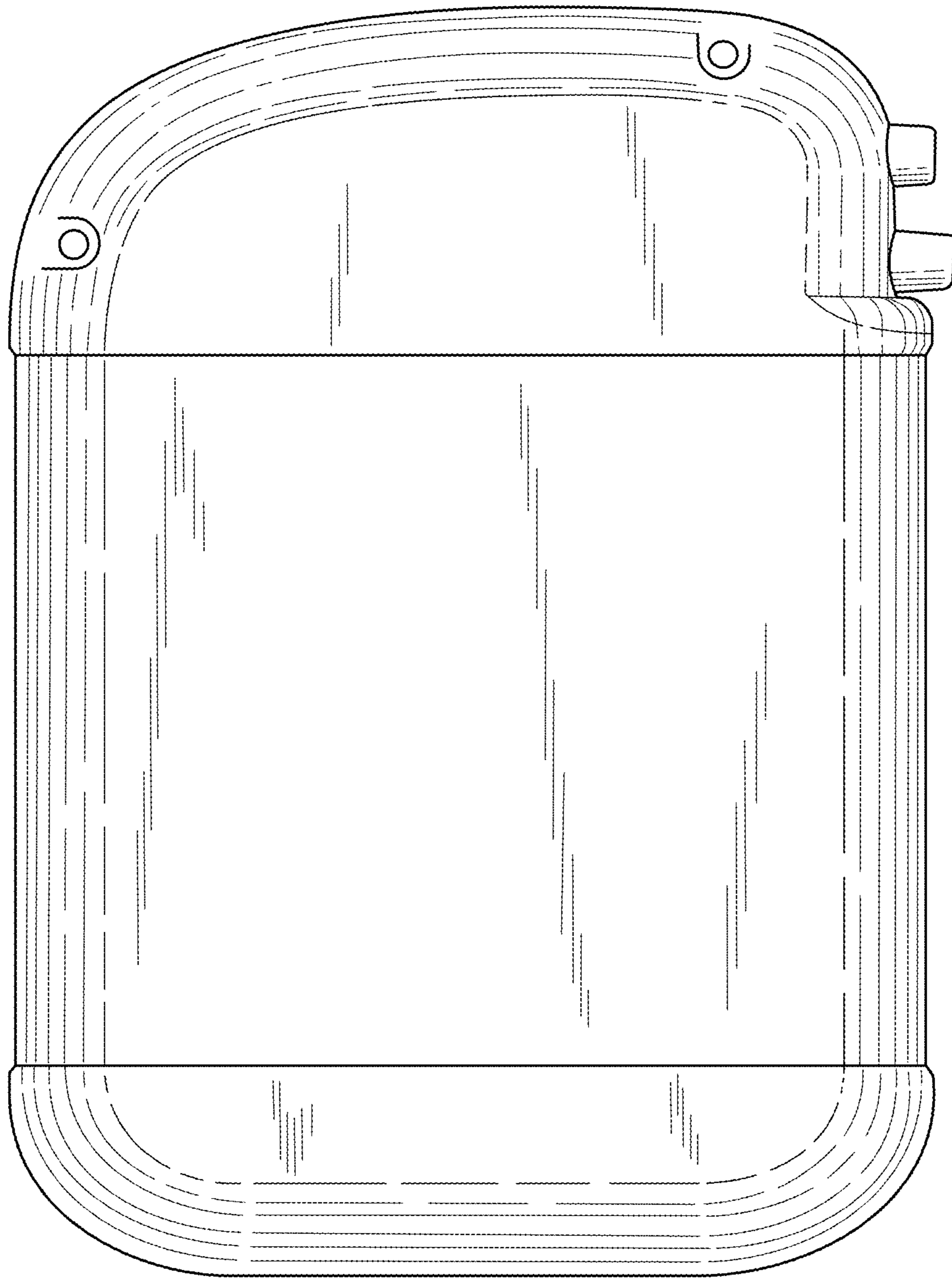


FIG. 3

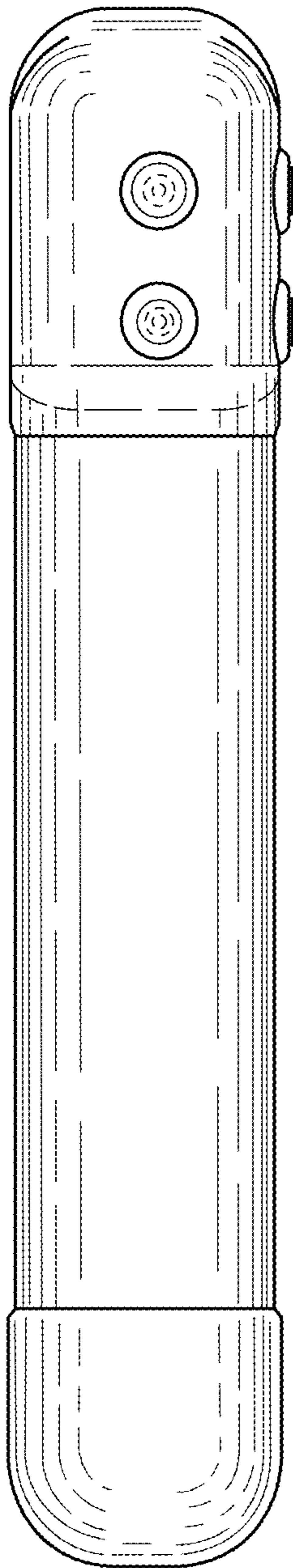


FIG. 4

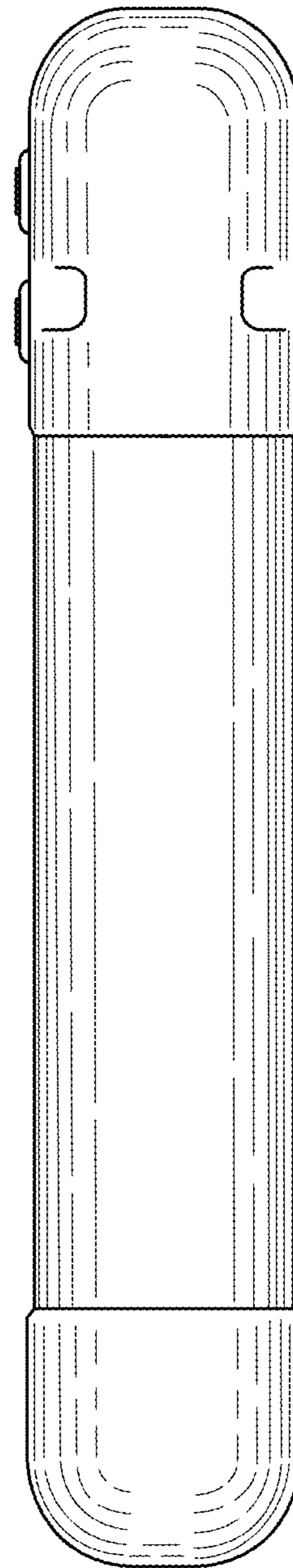


FIG. 5

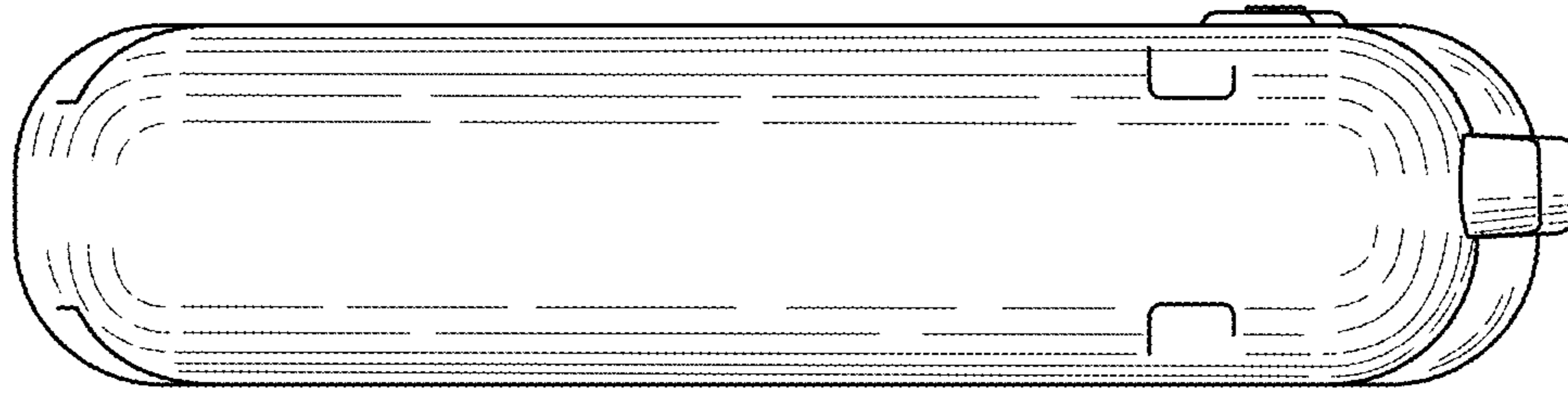


FIG. 6

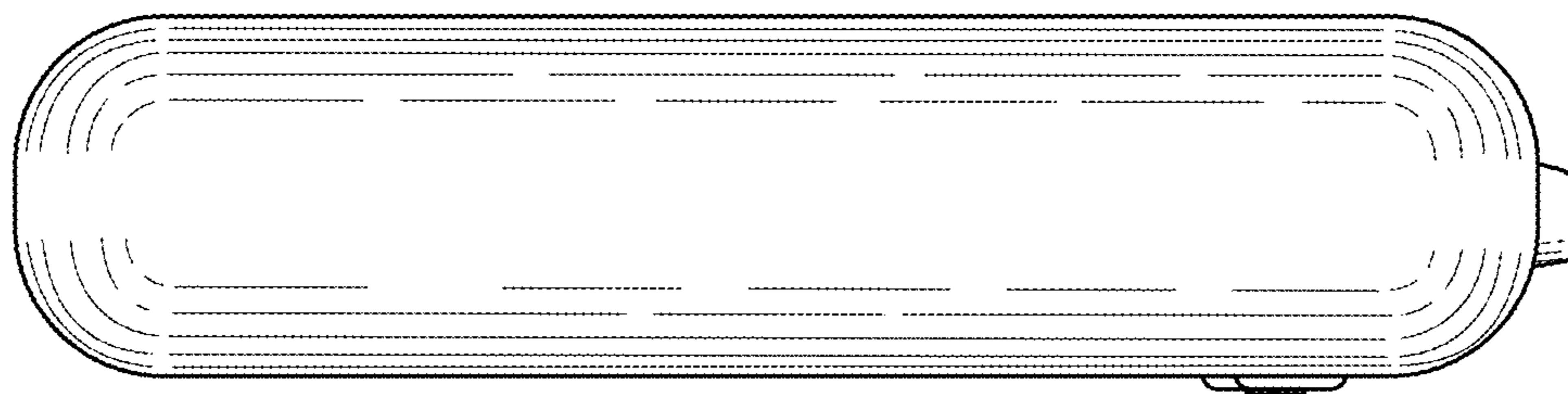


FIG. 7

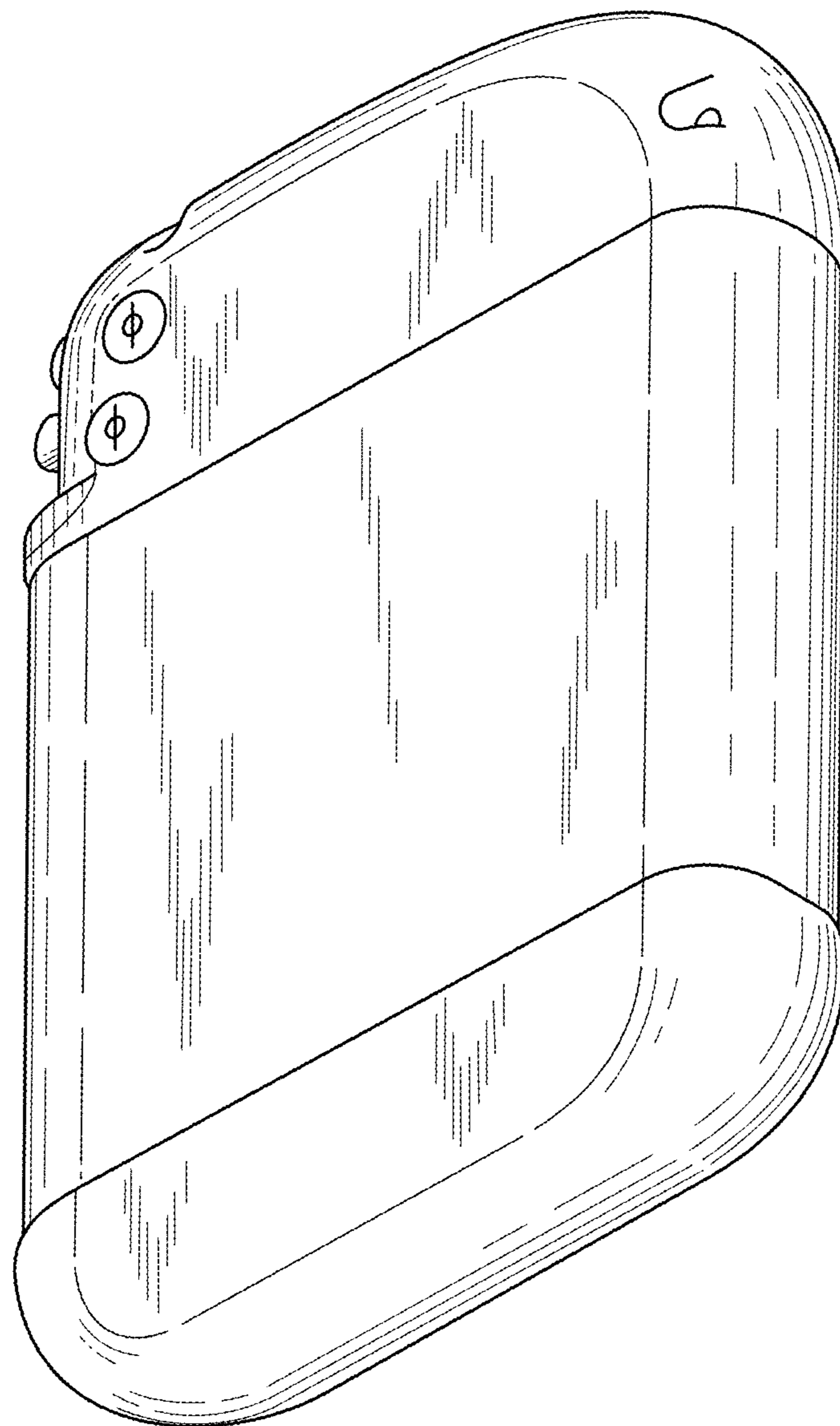


FIG. 8