



US00D953528S

(12) **United States Design Patent** (10) **Patent No.:** **US D953,528 S**
Chang (45) **Date of Patent:** **** May 31, 2022**

(54) **ORTHOPEdic CLAMP**

FOREIGN PATENT DOCUMENTS

(71) Applicant: **Jonathan Chang**, South Pasadena, CA
(US)

CN 205758659 12/2016
CN 106388925 2/2017

(Continued)

(72) Inventor: **Jonathan Chang**, South Pasadena, CA
(US)

OTHER PUBLICATIONS

(**) Term: **15 Years**

BD V. Mueller Catalog, Williams-Style Discectomy Retractors
NL5390-002, <https://catalog1.bd.com/vmueller/williams-style-discectomy-retractors-nl5390-002.html>, 2017, 2 pages.

(21) Appl. No.: **29/683,502**

(Continued)

(22) Filed: **Mar. 13, 2019**

Primary Examiner — Manpreet S Matharu

(51) **LOC (13) Cl.** **24-02**

Assistant Examiner — Yolanda Robinson

(52) **U.S. Cl.**

(74) *Attorney, Agent, or Firm* — Maceiko IP

USPC **D24/133**

(57) **CLAIM**

(58) **Field of Classification Search**

The ornamental design for an orthopedic clamp, as shown and described.

USPC D24/133, 143, 144, 146, 147, 148, 153,
D24/138

DESCRIPTION

CPC A61B 17/88; A61B 17/28; A61B 17/80;
A61B 17/2816; A61B 17/808; A61B
17/8866; A61B 17/42; A61B 17/4241;
A61B 17/29; A61B 17/282; A61B
2017/4225

See application file for complete search history.

FIG. 1 is a perspective view of a first embodiment of an orthopedic clamp.

FIG. 2 is a right-side view thereof;

FIG. 3 is a left side view thereof;

FIG. 4 is a bottom plan view thereof;

FIG. 5 is a top plan view thereof;

FIG. 6 is a front view thereof;

FIG. 7 is a back view thereof;

FIG. 8 is a perspective view of a second embodiment of an orthopedic clamp;

FIG. 9 is a right-side view thereof;

FIG. 10 is a left-side view thereof;

FIG. 11 is a bottom plan view thereof;

FIG. 12 is a top plan view thereof;

FIG. 13 is a front view thereof; and,

FIG. 14 is a back view thereof.

The broken lines shown in the orthopedic clamp are for portions that form no part of the claimed design.

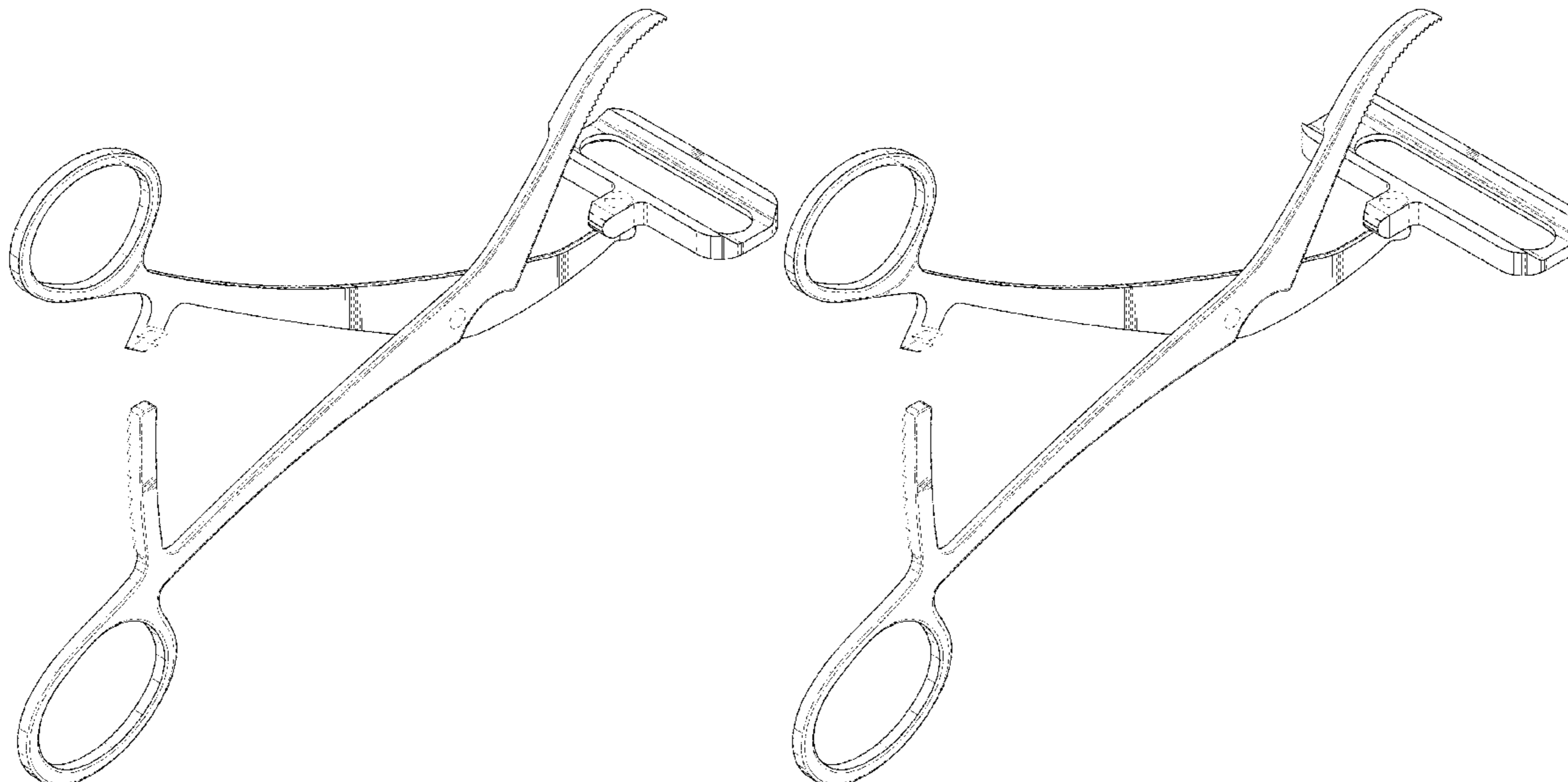
(56) **References Cited**

U.S. PATENT DOCUMENTS

5,797,919	A	8/1998	Brinson	
5,944,723	A	8/1999	Colleran et al.	
6,001,099	A	12/1999	Huebner	
6,315,780	B1	11/2001	Lalonde	
8,007,530	B2 *	8/2011	Ryan	A61B 90/94 623/2.11
8,685,037	B1	4/2014	Jordan	
9,011,507	B2	4/2015	Schelling	
9,339,319	B2	5/2016	Schmuck et al.	
9,532,825	B2	1/2017	Geebelen	
9,550,277	B1	1/2017	Williams et al.	

(Continued)

1 Claim, 10 Drawing Sheets



(56)

References Cited

U.S. PATENT DOCUMENTS

D785,172 S * 4/2017 Li D24/138
 9,642,641 B2 5/2017 Dell’oca
 9,675,400 B2 6/2017 Katrana et al.
 9,730,741 B2 8/2017 Makhlouf
 D796,675 S * 9/2017 Preis D24/146
 9,888,930 B2 2/2018 Hänni et al.
 9,999,456 B2 6/2018 Powell et al.
 10,028,843 B2 * 7/2018 Bourque A61F 2/4644
 10,123,832 B2 * 11/2018 Knoepfle A61B 17/8866
 D877,329 S * 3/2020 Sumaily D24/135
 D884,169 S * 5/2020 Hartson D24/143
 D896,375 S * 9/2020 Efinger D24/133
 2013/0116733 A1 5/2013 Stoll, Jr.
 2013/0345762 A1 12/2013 Dell’Oca et al.
 2014/0277109 A1 * 9/2014 Alshomer A61B 17/0625
 606/205
 2015/0100080 A1 * 4/2015 Kohler A61B 17/282
 606/205
 2015/0313640 A1 11/2015 O’Daly
 2017/0209192 A1 7/2017 Krauss et al.
 2017/0281283 A1 10/2017 Siegler et al.

2018/0325550 A1 * 11/2018 Herscu A61M 25/0017
 2019/0328434 A1 10/2019 Slocum et al.
 2021/0298780 A1 * 9/2021 Ateshian A61B 17/285
 2021/0322041 A1 * 10/2021 Looi A61M 27/002
 2022/0039816 A1 * 2/2022 Bruse A61B 17/2841

FOREIGN PATENT DOCUMENTS

CN	206836918	1/2018
CN	108078610	5/2018
CN	207492791	6/2018
KR	101681177	11/2016
RU	185903	12/2018

OTHER PUBLICATIONS

Bradshaw International, 25871 10" Deluxe Tongs, <https://www.amazon.com/BRADSHAW-INTERNATIONAL-25871-Deluxe-Tongs/dp/B000BPBT7M>, 2018, 10 pages.
 Innomed, Inc., Foot & Ankle Instruments, Innomed Small Bone Instruments-Foot & Ankle-Bone Clamps, 2019, 18 pages.

* cited by examiner

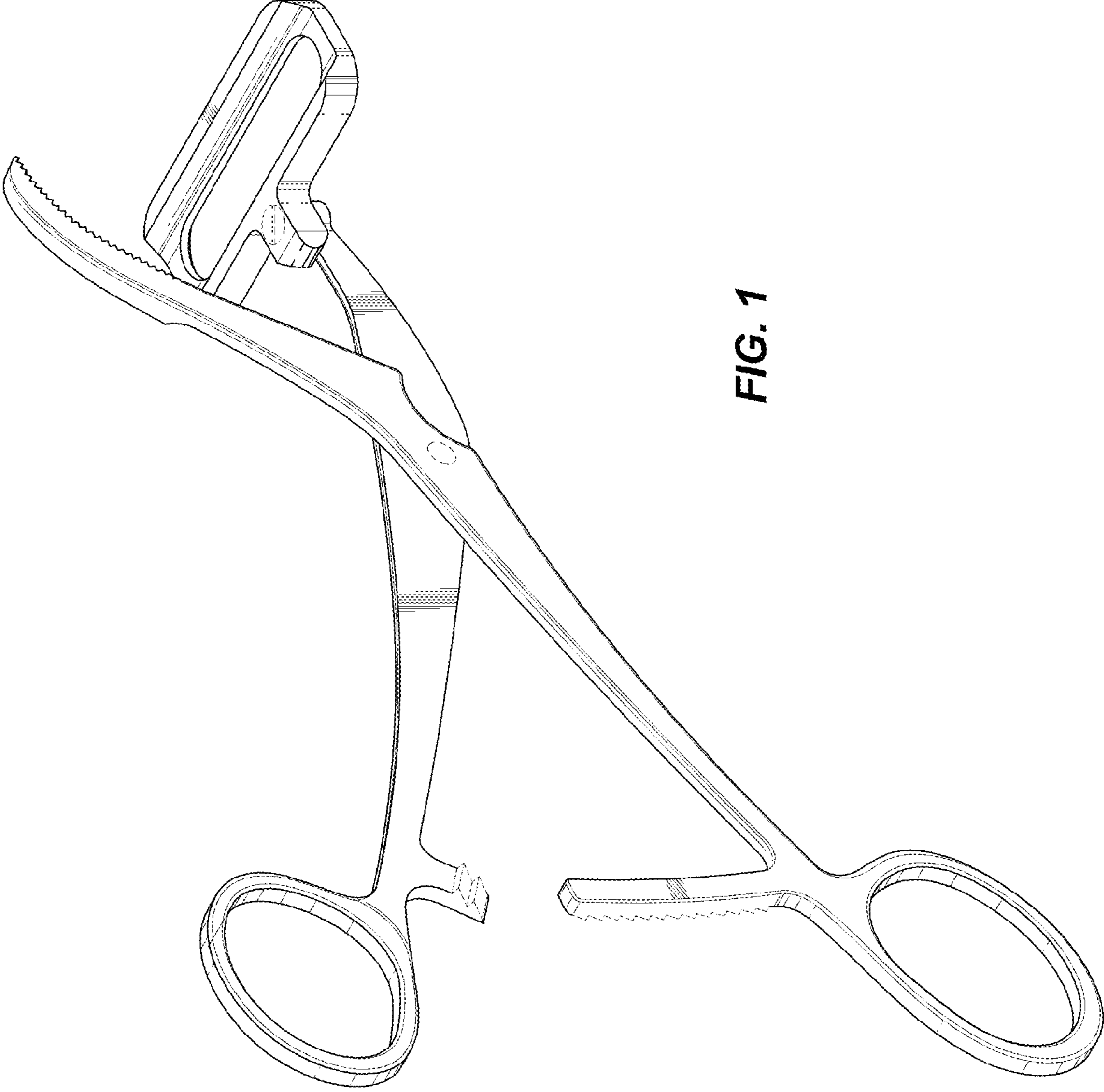


FIG. 1

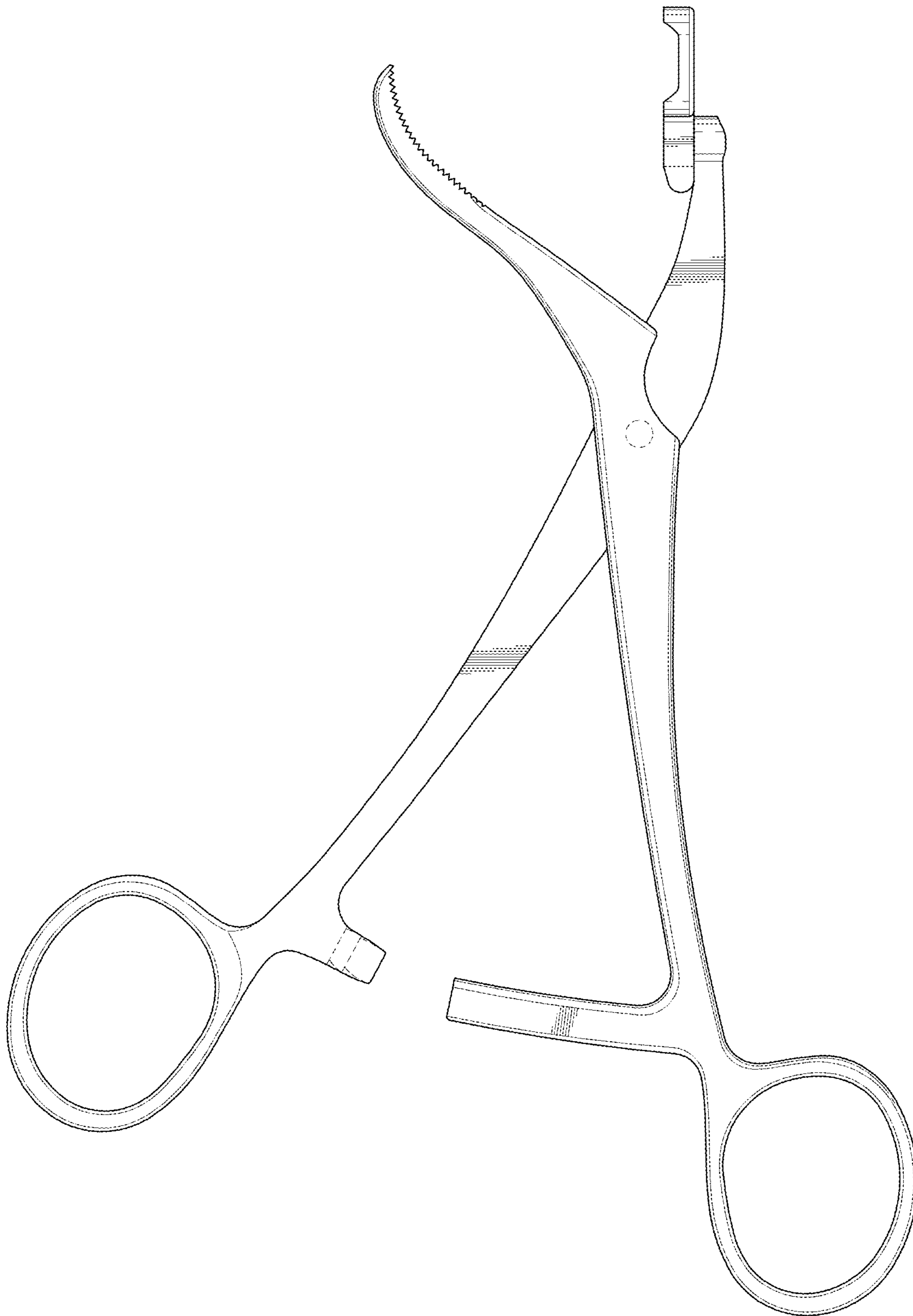


FIG. 2

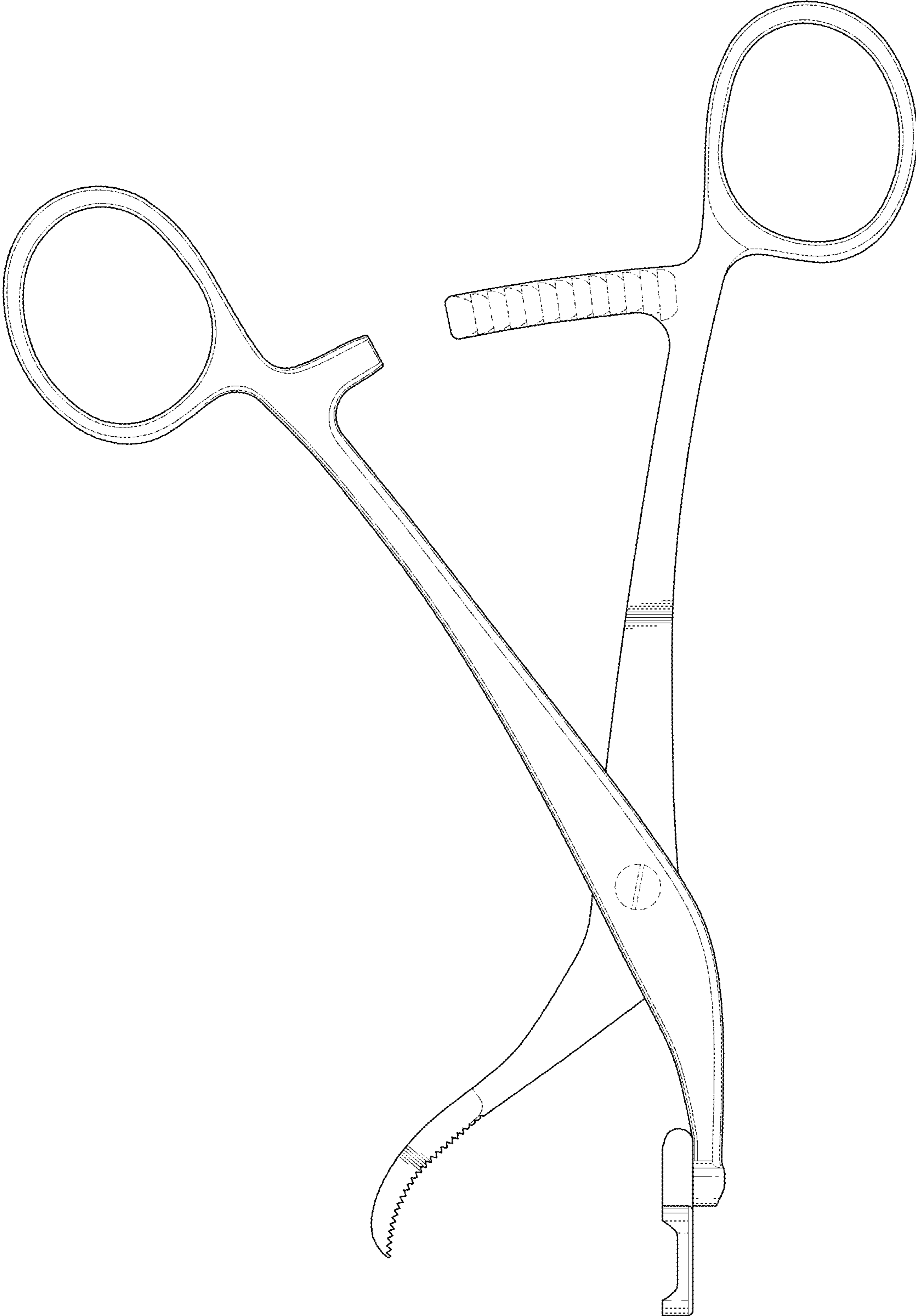


FIG. 3

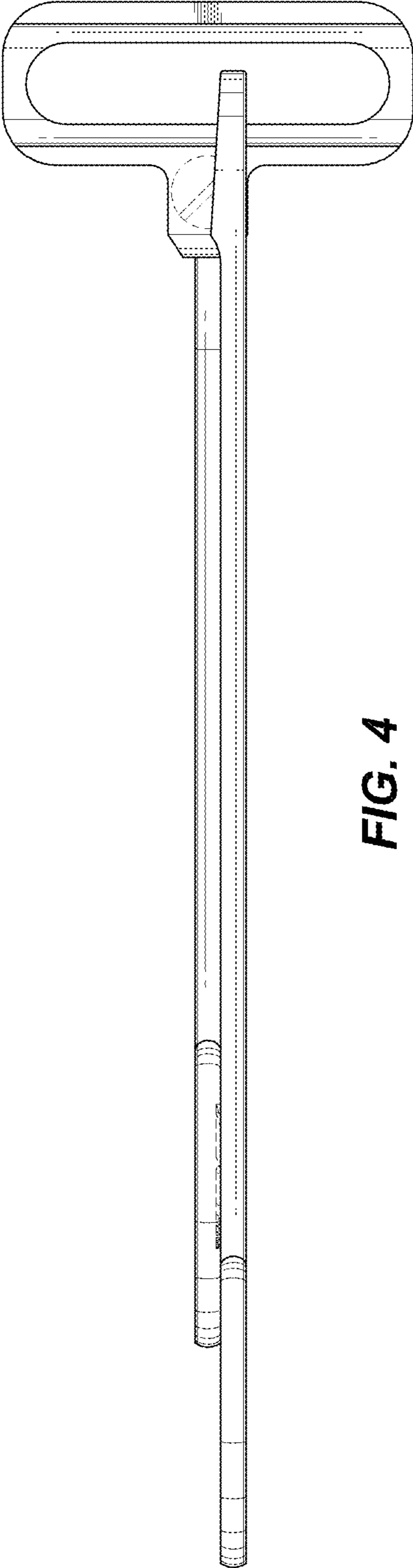


FIG. 4

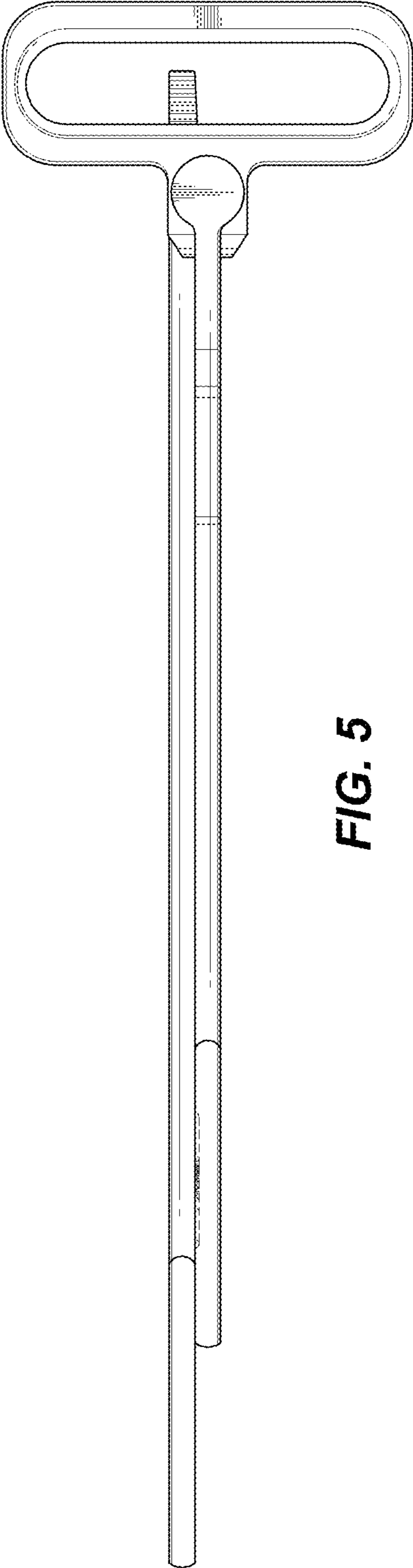


FIG. 5

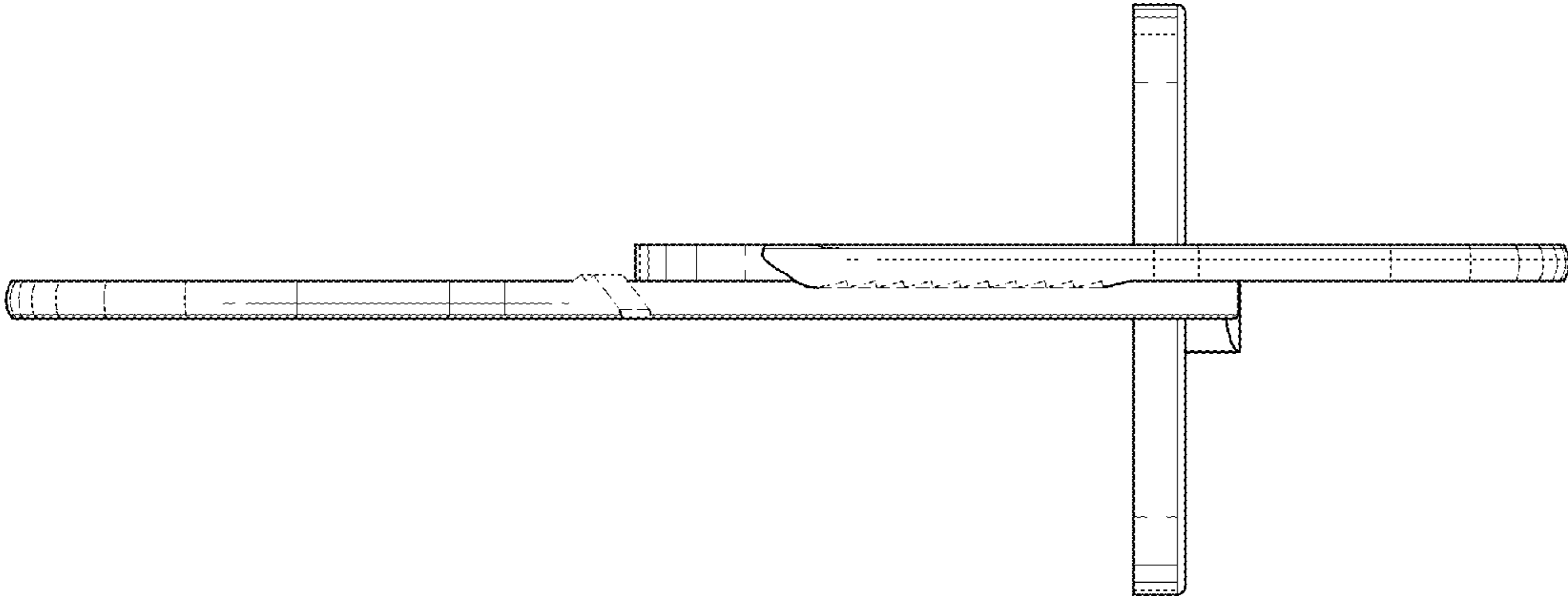


FIG. 7

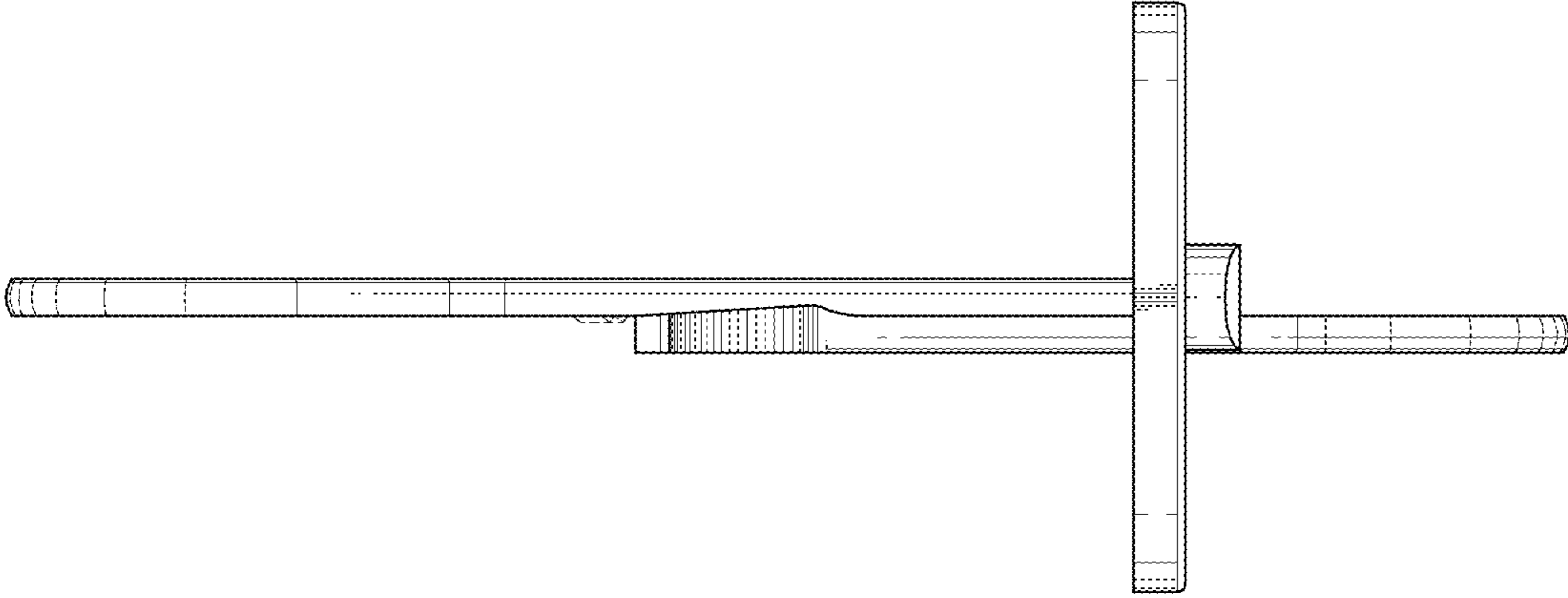


FIG. 6

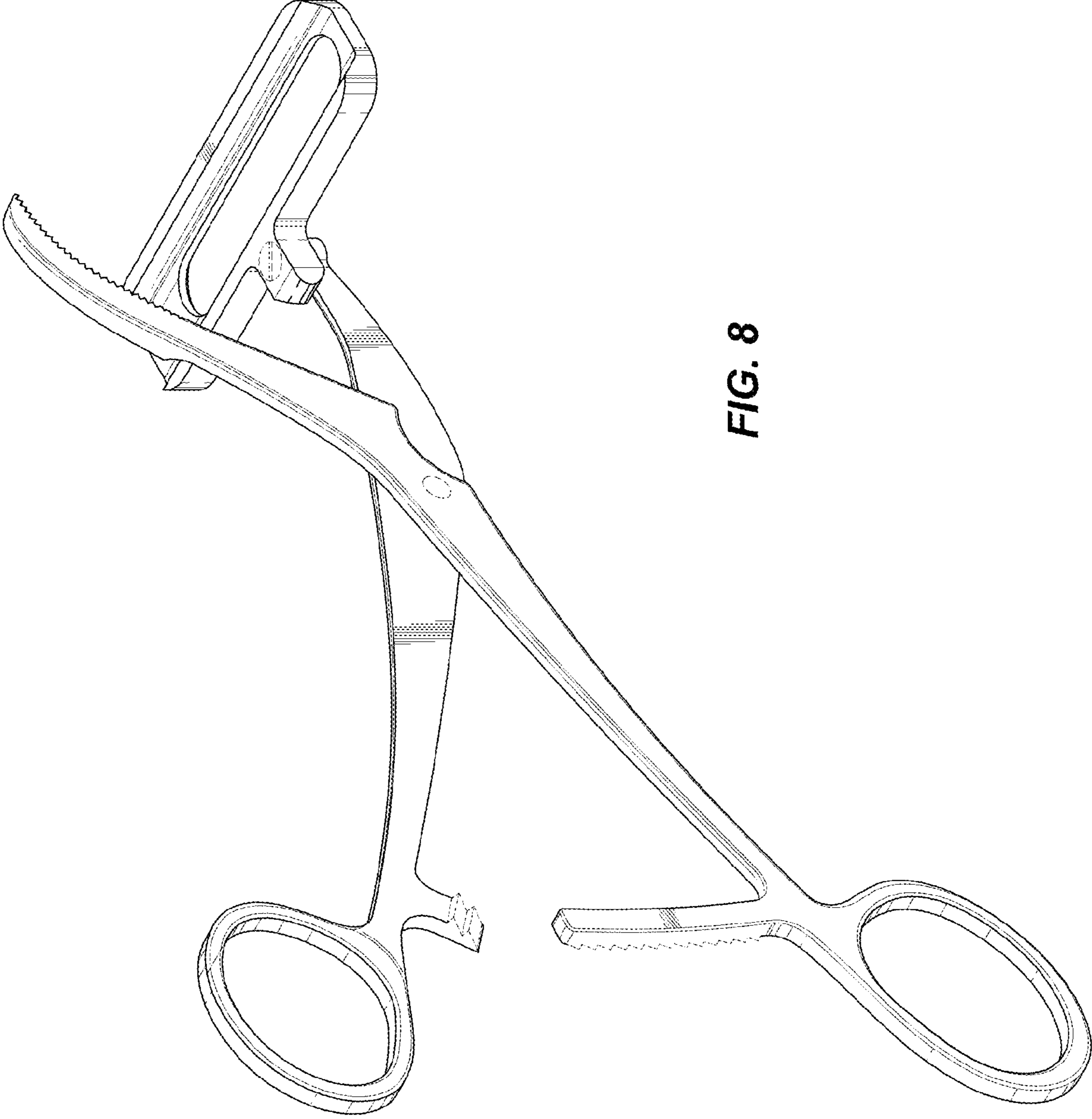


FIG. 8

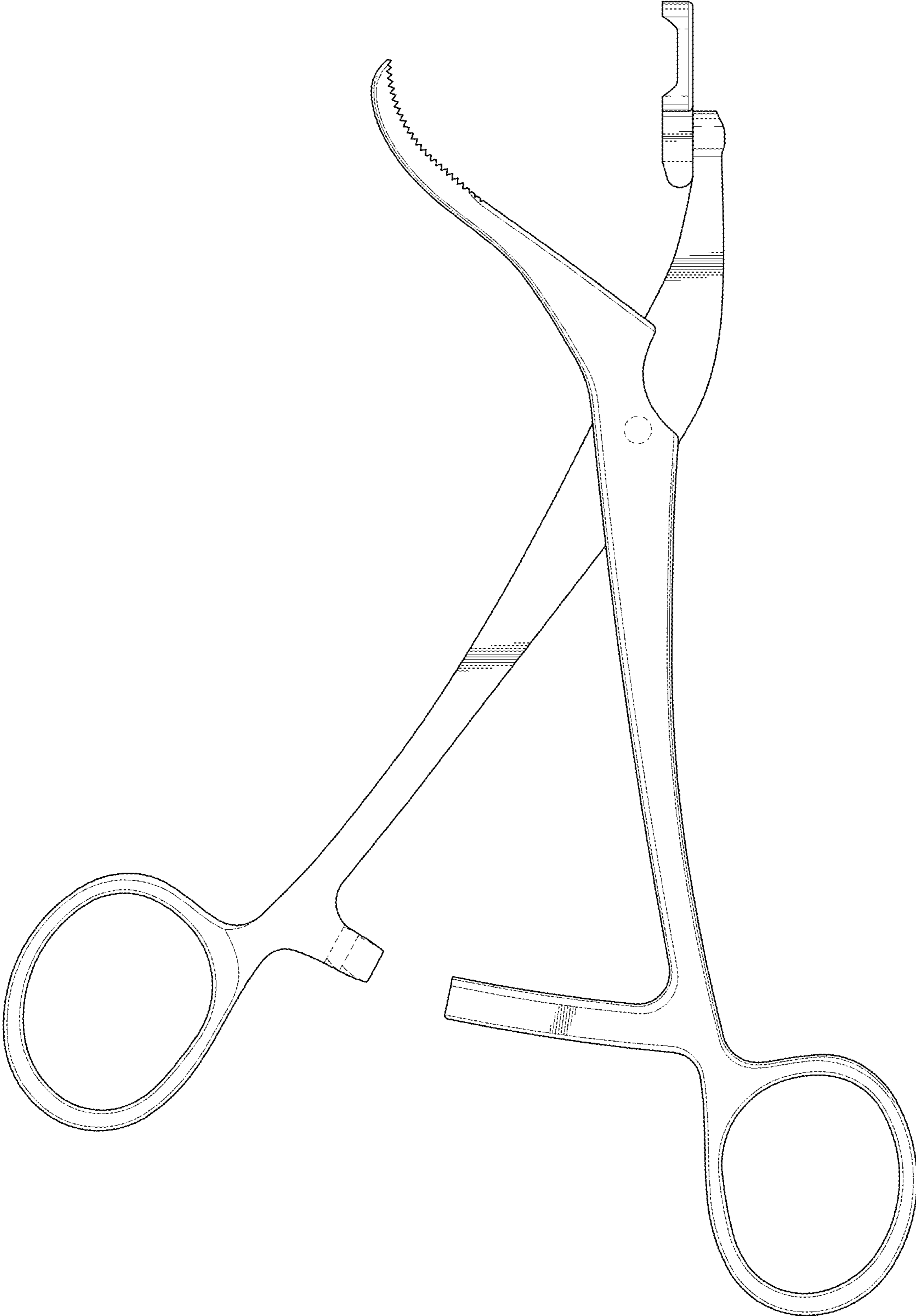


FIG. 9

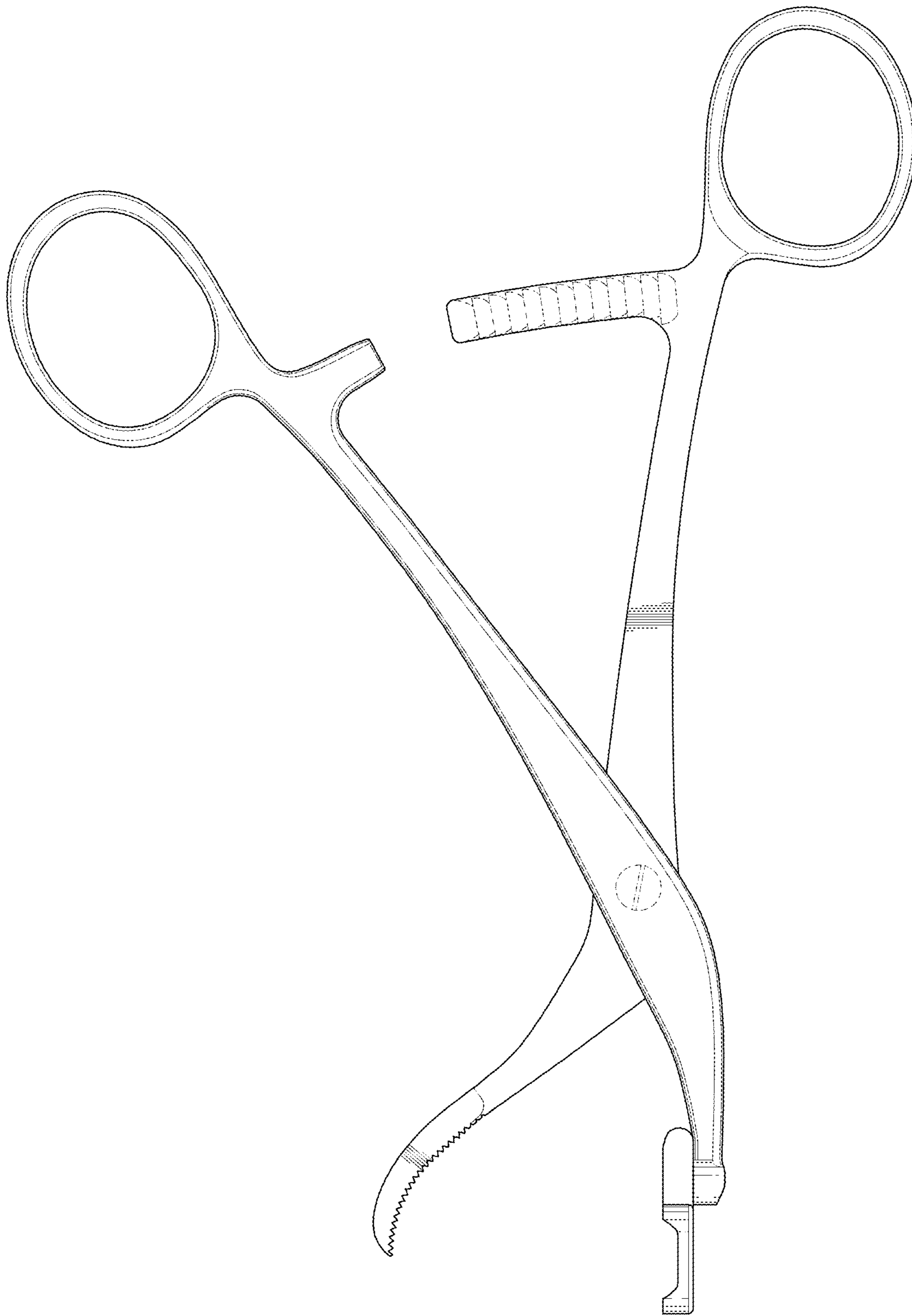


FIG. 10

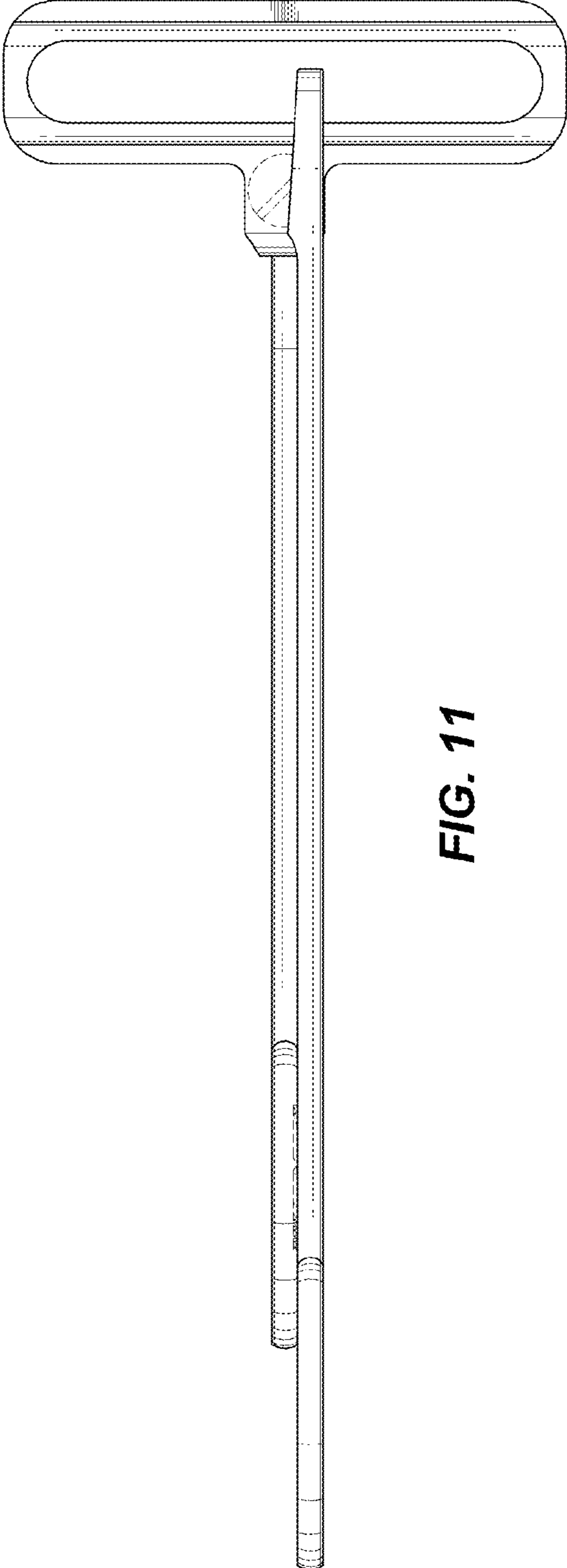


FIG. 11

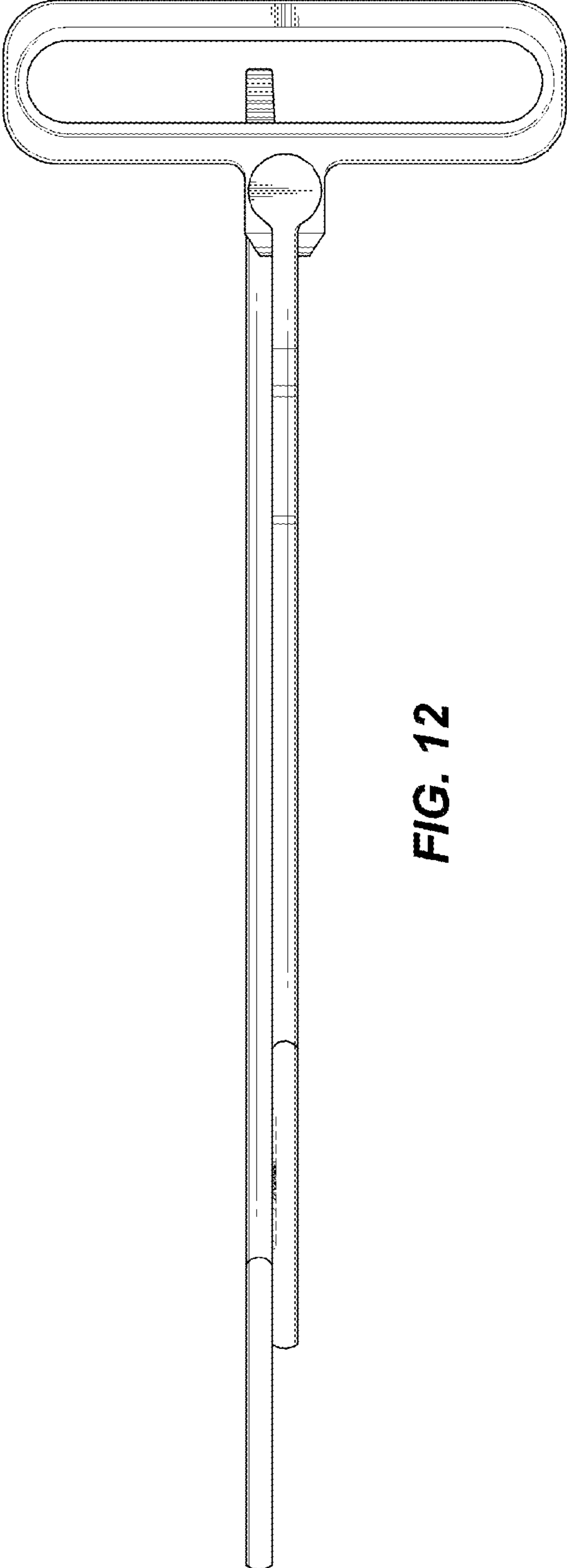


FIG. 12

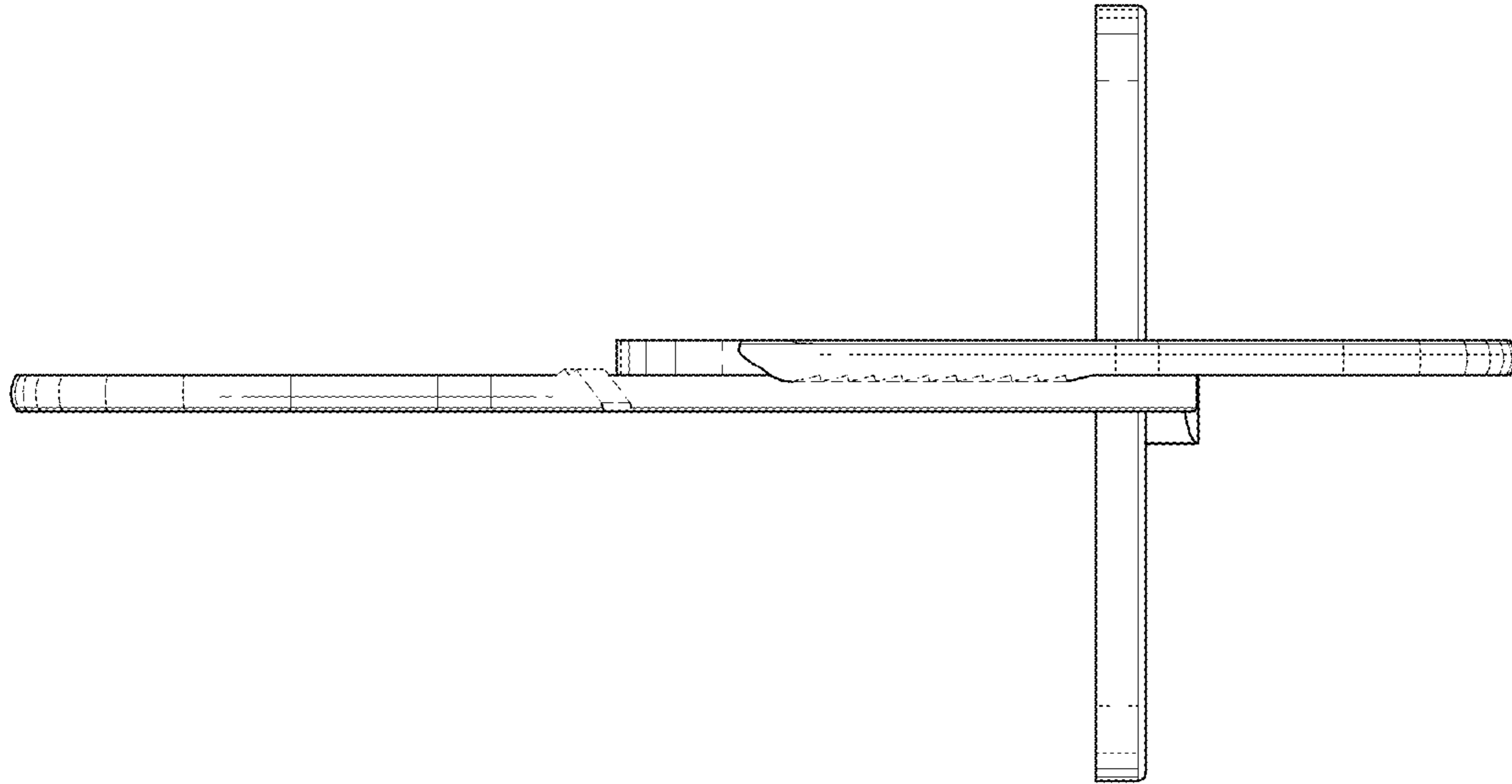


FIG. 14

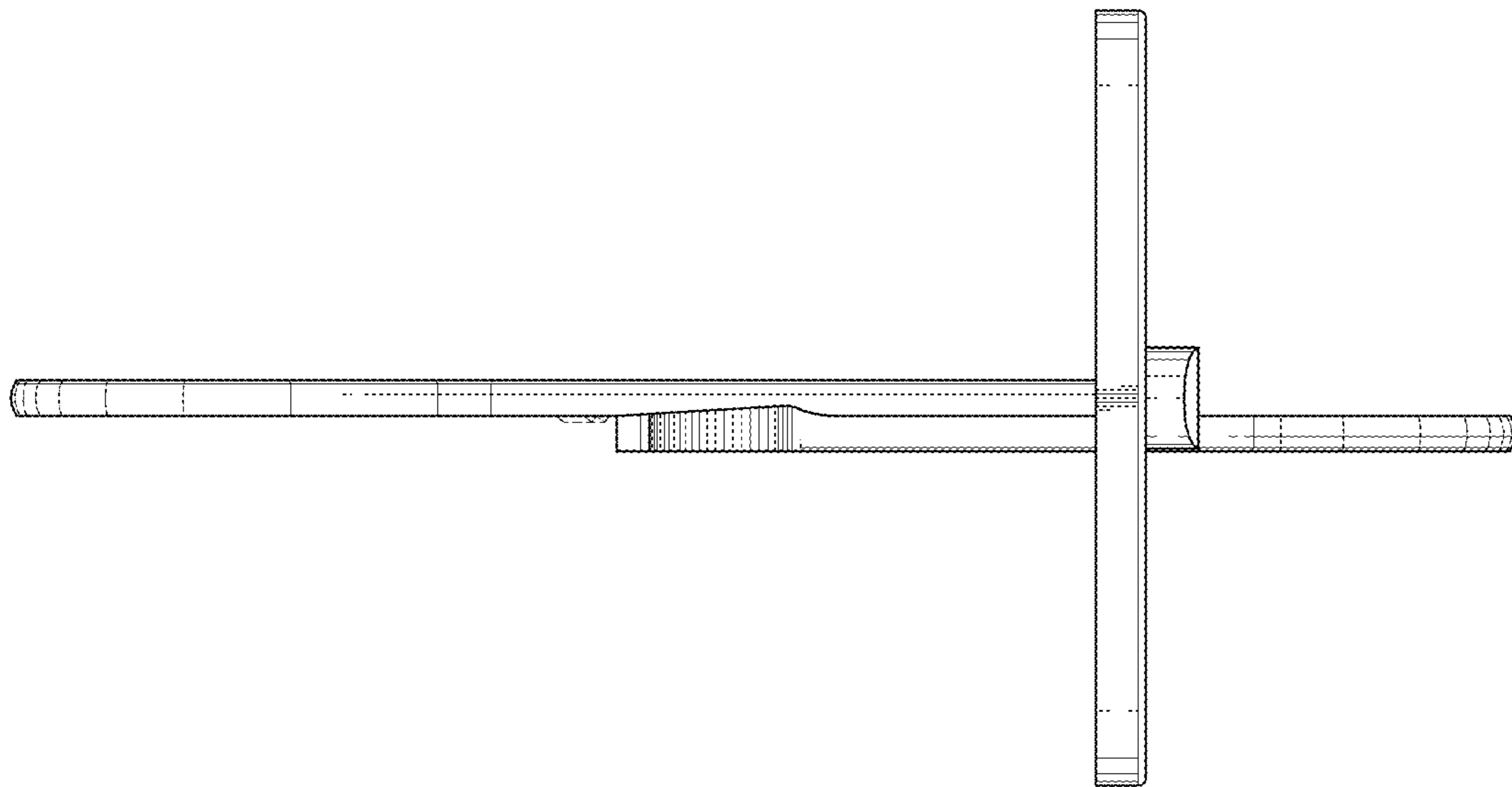


FIG. 13