



US00D953527S

(12) **United States Design Patent** (10) **Patent No.:** **US D953,527 S**
Fournier et al. (45) **Date of Patent:** **** May 31, 2022**

(54) **PROTECTIVE CAP FOR INJECTION NEEDLE**

(71) Applicant: **APTAR STELMI SAS**, Villepinte (FR)

(72) Inventors: **Ghislain Fournier**, La Rochelle (FR);
Mickaël Swal, Séry Magneval (FR)

(73) Assignee: **APTAR STELMI SAS**, Villepinte (FR)

(**) Term: **15 Years**

(21) Appl. No.: **29/729,944**

(22) Filed: **Mar. 31, 2020**

(30) **Foreign Application Priority Data**

Feb. 13, 2020 (EM) 007693502-0004

(51) **LOC (13) Cl.** **24-02**

(52) **U.S. Cl.**
USPC **D24/130**

(58) **Field of Classification Search**
USPC D24/112-114, 127-131, 133, 186
CPC A61M 5/3202; A61M 2005/3104; A61M
5/3134
See application file for complete search history.

(56) **References Cited**

U.S. PATENT DOCUMENTS

D461,557 S *	8/2002	Courteix	D24/130
D581,049 S *	11/2008	Sudo	D24/130
D743,560 S *	11/2015	Pietrantonio	D24/186
9,174,004 B2 *	11/2015	Raj	A61M 5/3202
D747,476 S *	1/2016	Kawamura	D24/130
D748,778 S *	2/2016	Shiozaki	D24/130
D760,893 S *	7/2016	Honda	D24/130
9,604,012 B2 *	3/2017	Horita	A61M 5/344
D784,523 S *	4/2017	Kearns	D24/127
D787,053 S *	5/2017	Huang	D24/130
D824,512 S *	7/2018	Laliberte	D24/112
D825,749 S *	8/2018	Huang	D24/130

10,238,813 B2 *	3/2019	Spallek	A61M 5/347
D881,392 S *	4/2020	Pujara	D24/130
10,751,482 B2 *	8/2020	Schraga	A61M 5/347
10,973,985 B2 *	4/2021	Fournier	A61M 5/3202
D922,566 S *	6/2021	Ono	D24/112

(Continued)

FOREIGN PATENT DOCUMENTS

EM	007693502-0004	*	2/2020
JP	D1693150	*	8/2021
WO	D209652-002	*	8/2020

OTHER PUBLICATIONS

Pre-filled Syringe and Cartridge Components, Aptar Pharma catalog, [Version 1 2016],[Seen Sep. 29, 2021], downloaded from URL: https://www.aptar.com/wp-content/uploads/2020/07/pds_pfsandcartridgecomponents_2.pdf (Year: 2016).*

Primary Examiner — Natasha Vujcic

Assistant Examiner — Gilbert B Ford

(74) *Attorney, Agent, or Firm* — Sughrue Mion, PLLC

(57) **CLAIM**

The ornamental design for a protective cap for injection needle, as shown and described.

DESCRIPTION

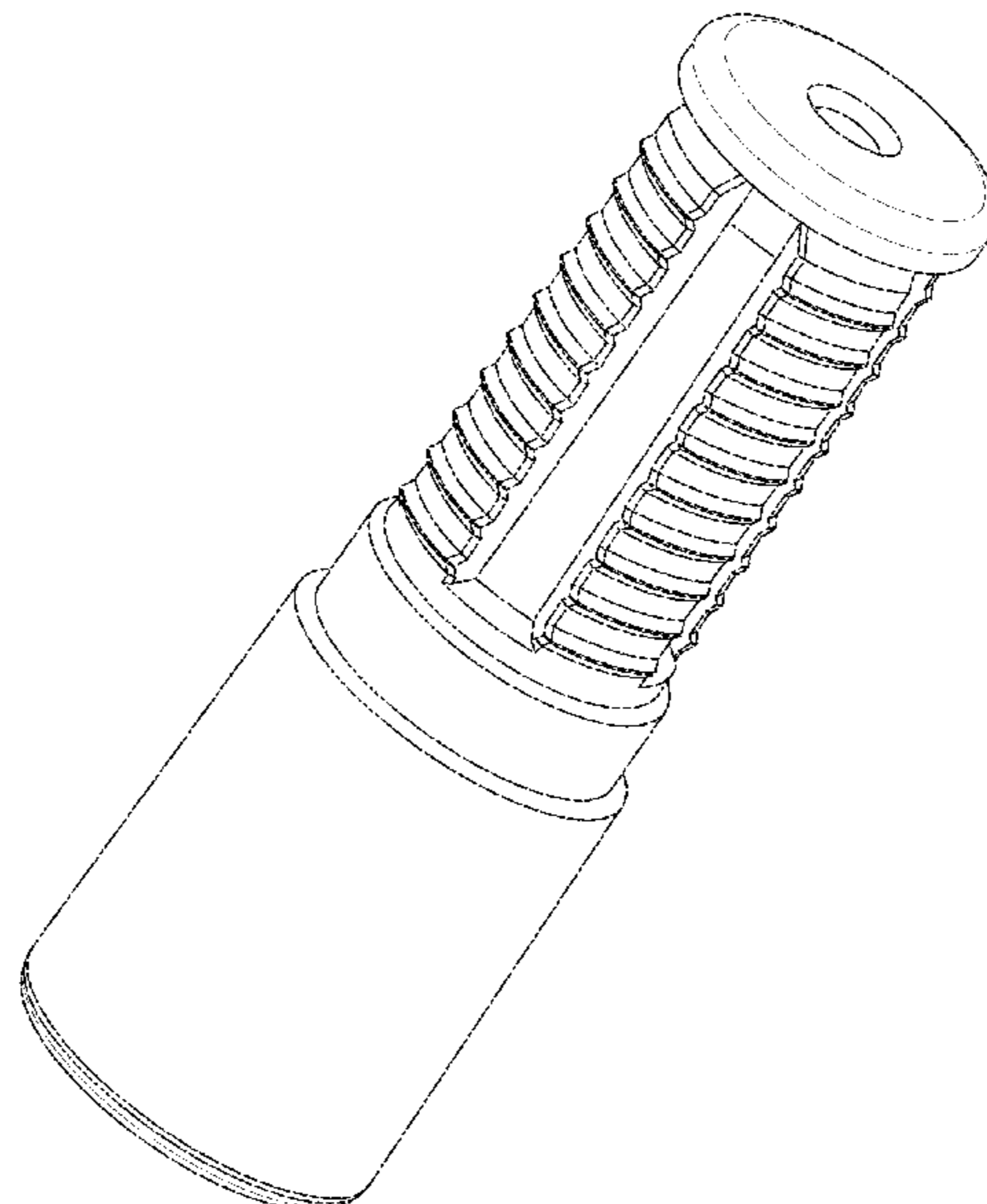
FIG. 1 is a side view of a protective cap for injection needles. FIG. 2 is a bottom view of a protective cap for injection needles.

FIG. 3 is a top view of a protective cap for injection needles. FIG. 4 is a perspective view of a protective cap for injection needles; and,

FIG. 5 is another perspective view of a protective cap for injection needles.

The broken lines are for environmental purposes only and form no part of the claimed design.

1 Claim, 5 Drawing Sheets



(56)

References Cited

U.S. PATENT DOCUMENTS

D923,784 S * 6/2021 Pupino D24/130
11,040,149 B1 * 6/2021 Banik A61M 5/3202
2015/0297837 A1 * 10/2015 Schraga A61M 5/3202
604/192
2018/0339115 A1 * 11/2018 Limaye A61M 5/3234

* cited by examiner

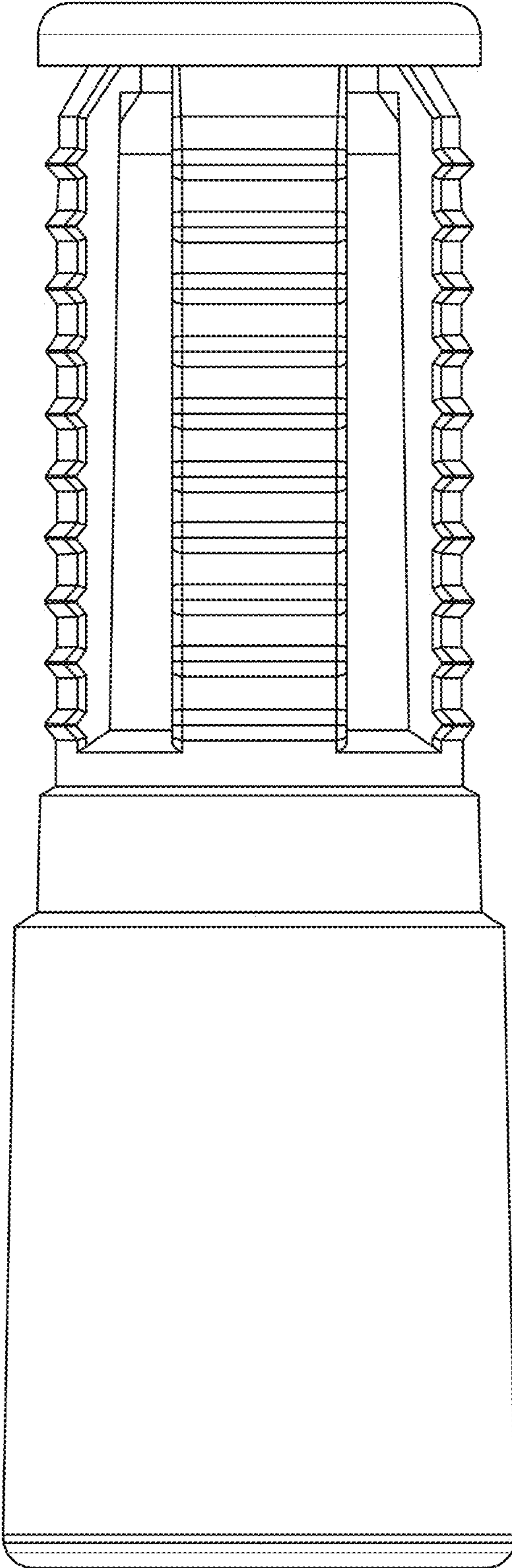


FIG. 1

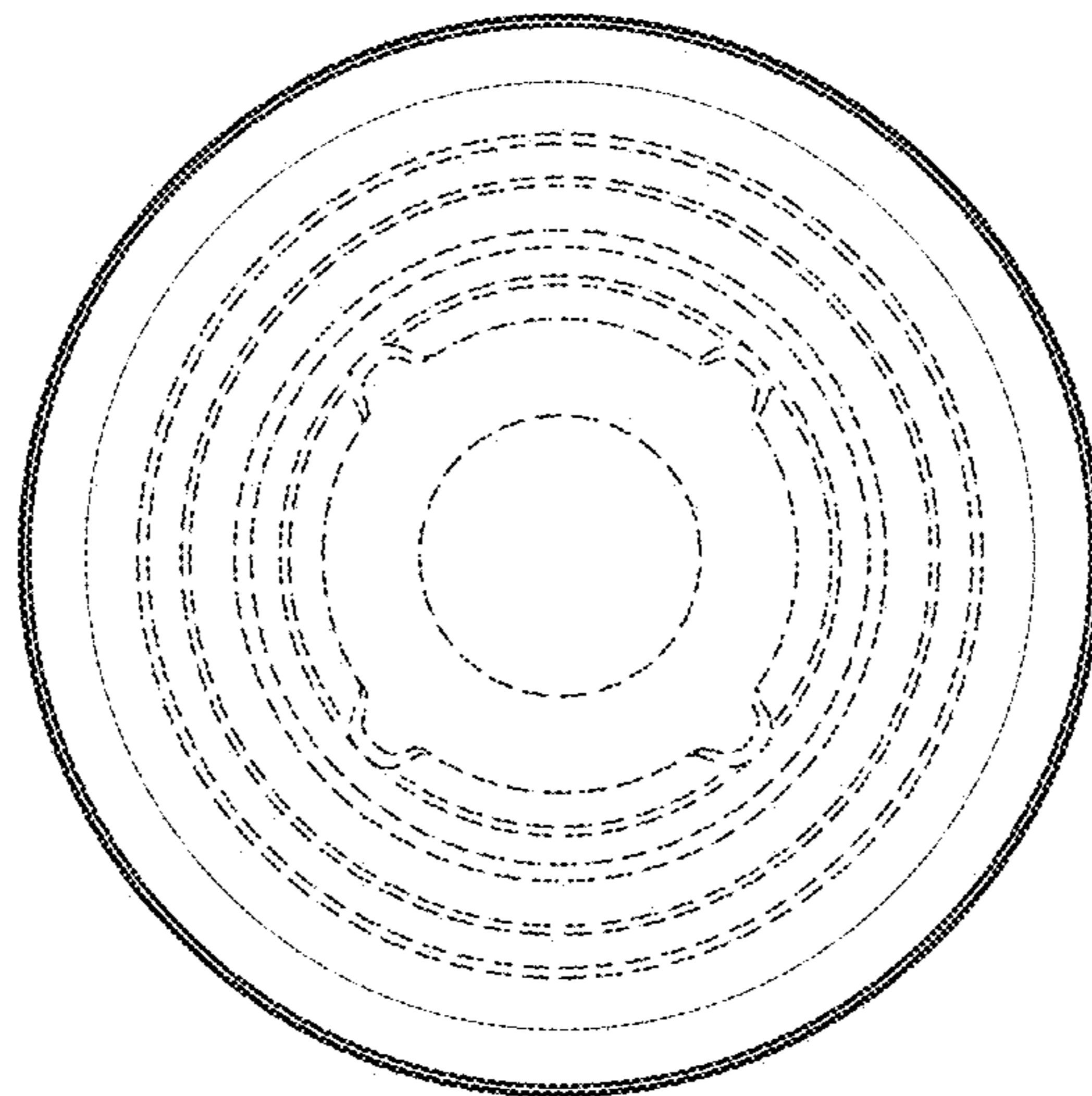


FIG. 2

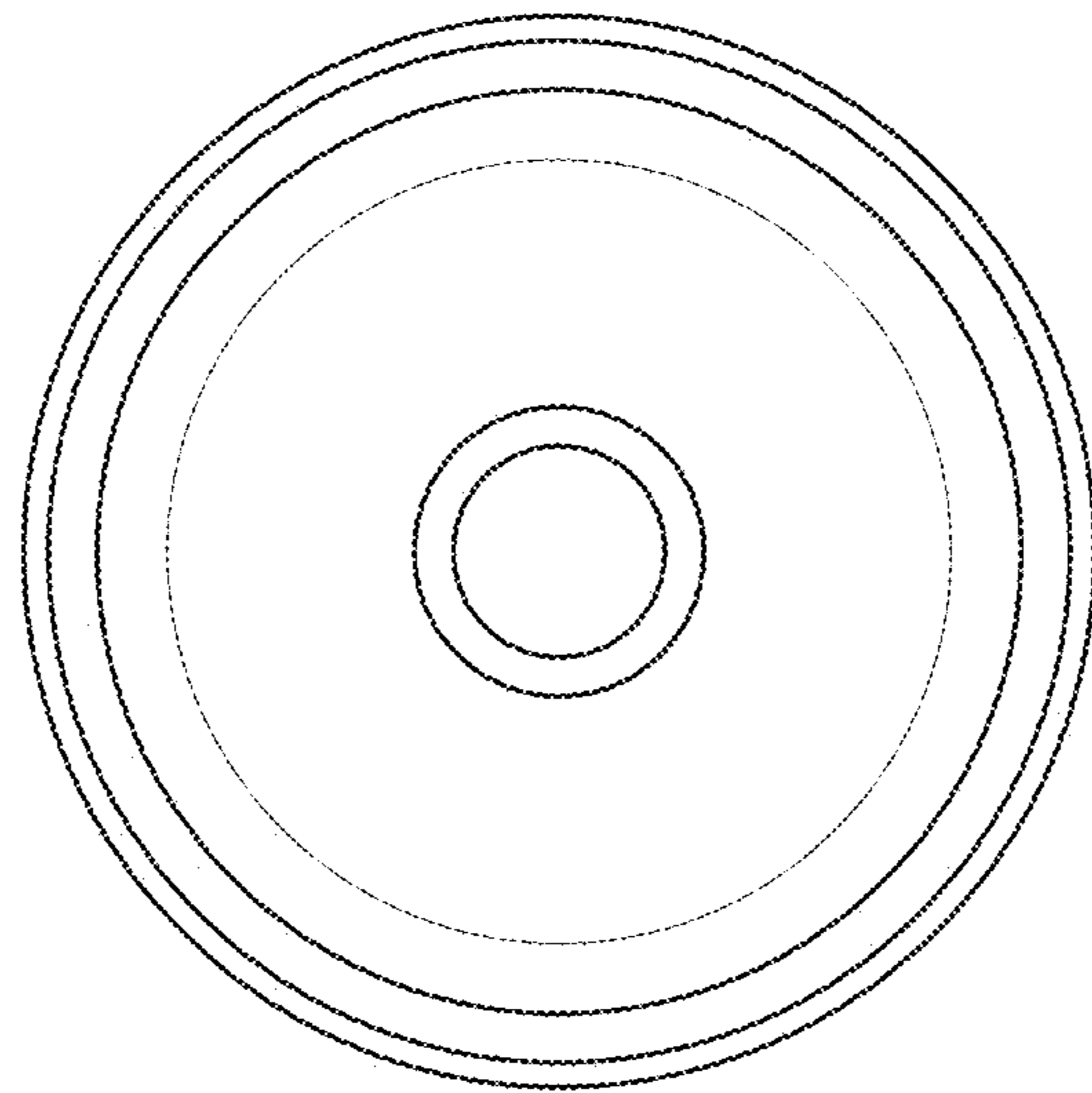


FIG. 3

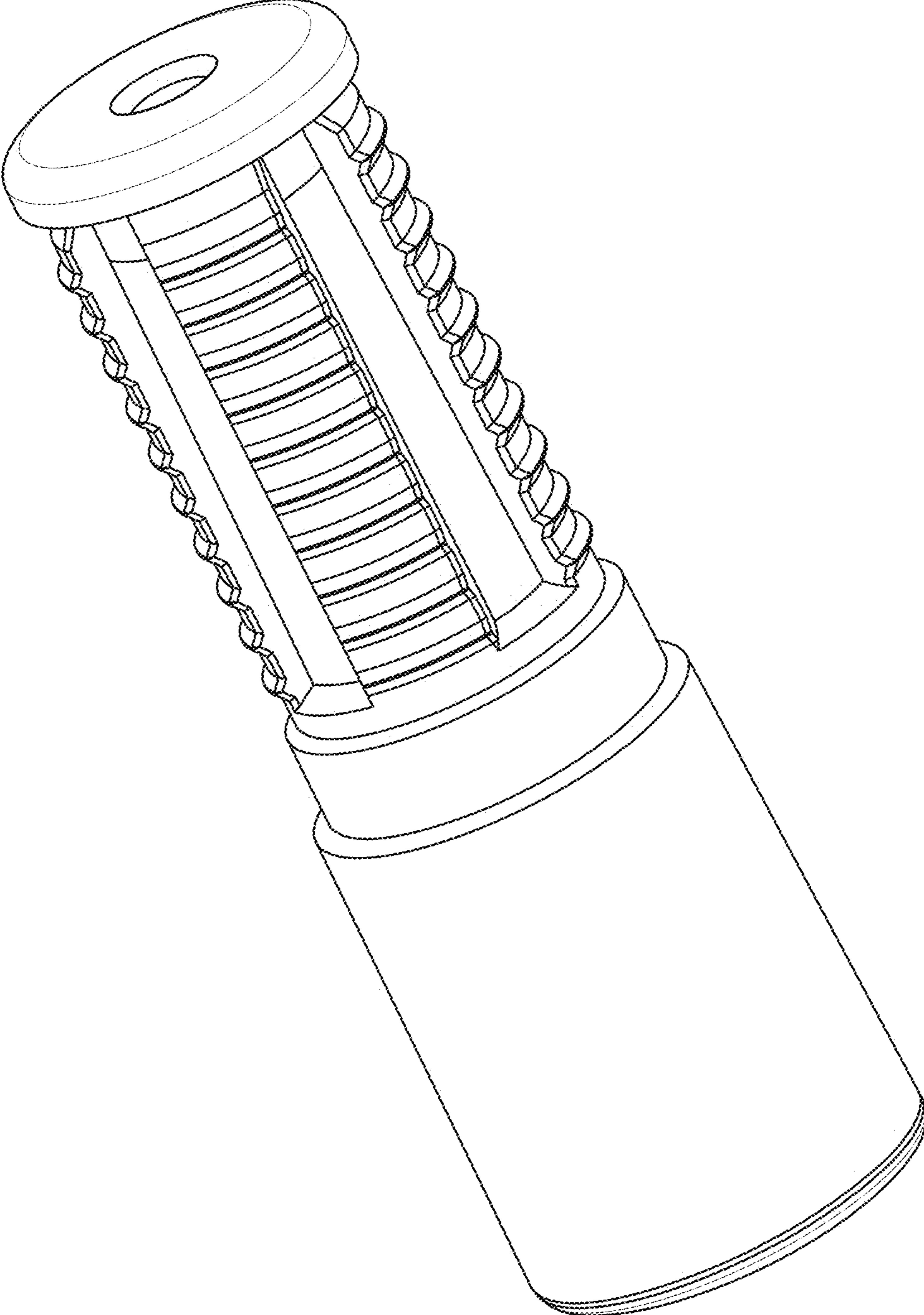


FIG. 4

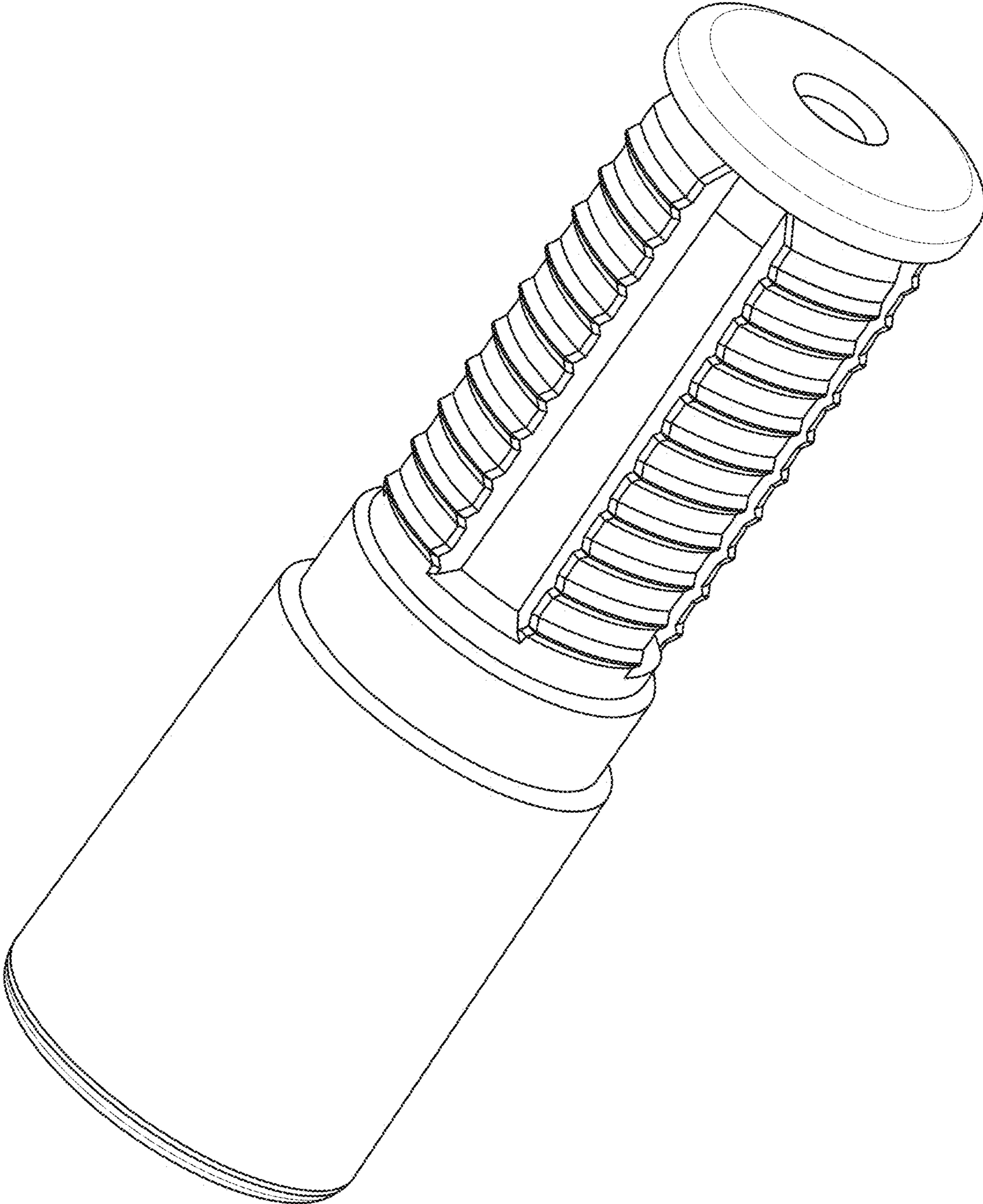


FIG. 5