



US00D953526S

(12) **United States Design Patent**  
**Fournier et al.**

(10) **Patent No.:** **US D953,526 S**  
(45) **Date of Patent:** **\*\* May 31, 2022**

(54) **PROTECTIVE CAP FOR INJECTION NEEDLE**

(71) Applicant: **APTAR STELMI SAS**, Villepinte (FR)

(72) Inventors: **Ghislain Fournier**, La Rochelle (FR);  
**Mickaël Swal**, Séry Magneval (FR);  
**Andrew Thomas Snow**, Fishers, IN (US);  
**William Godwin Atterbury**, Columbus, OH (US)

(73) Assignee: **APTAR STELMI SAS**, Villepinte (FR)

(\*\*) Term: **15 Years**

(21) Appl. No.: **29/729,941**

(22) Filed: **Mar. 31, 2020**

(30) **Foreign Application Priority Data**

Feb. 13, 2020 (EM) ..... 007693502-0001

(51) **LOC (13) Cl.** ..... **24-02**

(52) **U.S. Cl.**  
USPC ..... **D24/130**

(58) **Field of Classification Search**  
USPC ..... D24/112–114, 127–131, 133, 186  
CPC ..... A61M 5/3202; A61M 2005/3104; A61M 5/3134

See application file for complete search history.

(56) **References Cited**

U.S. PATENT DOCUMENTS

D461,557 S \* 8/2002 Courteix ..... D24/130  
D581,049 S \* 11/2008 Sudo ..... D24/130  
D743,560 S \* 11/2015 Pietrantonio ..... D24/186  
9,174,004 B2 \* 11/2015 Raj ..... A61M 5/3202  
D747,476 S \* 1/2016 Kawamura ..... D24/130  
D748,778 S \* 2/2016 Shiozaki ..... D24/130  
D760,893 S \* 7/2016 Honda ..... D24/130  
9,604,012 B2 \* 3/2017 Horita ..... A61M 5/344

D784,523 S \* 4/2017 Kearns ..... D24/127  
D787,053 S \* 5/2017 Huang ..... D24/130  
D824,512 S \* 7/2018 Laliberte ..... D24/112  
D825,749 S \* 8/2018 Huang ..... D24/130  
10,238,813 B2 \* 3/2019 Spallek ..... A61M 5/347  
D881,392 S \* 4/2020 Pujara ..... D24/130

(Continued)

FOREIGN PATENT DOCUMENTS

EM 007693502-0004 \* 2/2020  
JP D1693150 \* 8/2021  
WO D209652-002 \* 8/2020

OTHER PUBLICATIONS

Pre-filled Syringe and Cartridge Components, Aptar Pharma catalog, [Version 1 2016],[ Seen Sep. 29, 2021], downloaded from URL: [https://www.aptar.com/wp-content/uploads/2020/07/pds\\_pfsandcartridgecomponents\\_2.pdf](https://www.aptar.com/wp-content/uploads/2020/07/pds_pfsandcartridgecomponents_2.pdf) (Year: 2016).\*

*Primary Examiner* — Natasha Vujcic

*Assistant Examiner* — Gilbert B Ford

(74) *Attorney, Agent, or Firm* — Sughrue Mion, PLLC

(57) **CLAIM**

The ornamental design for a protective cap for injection needle, as shown and described.

**DESCRIPTION**

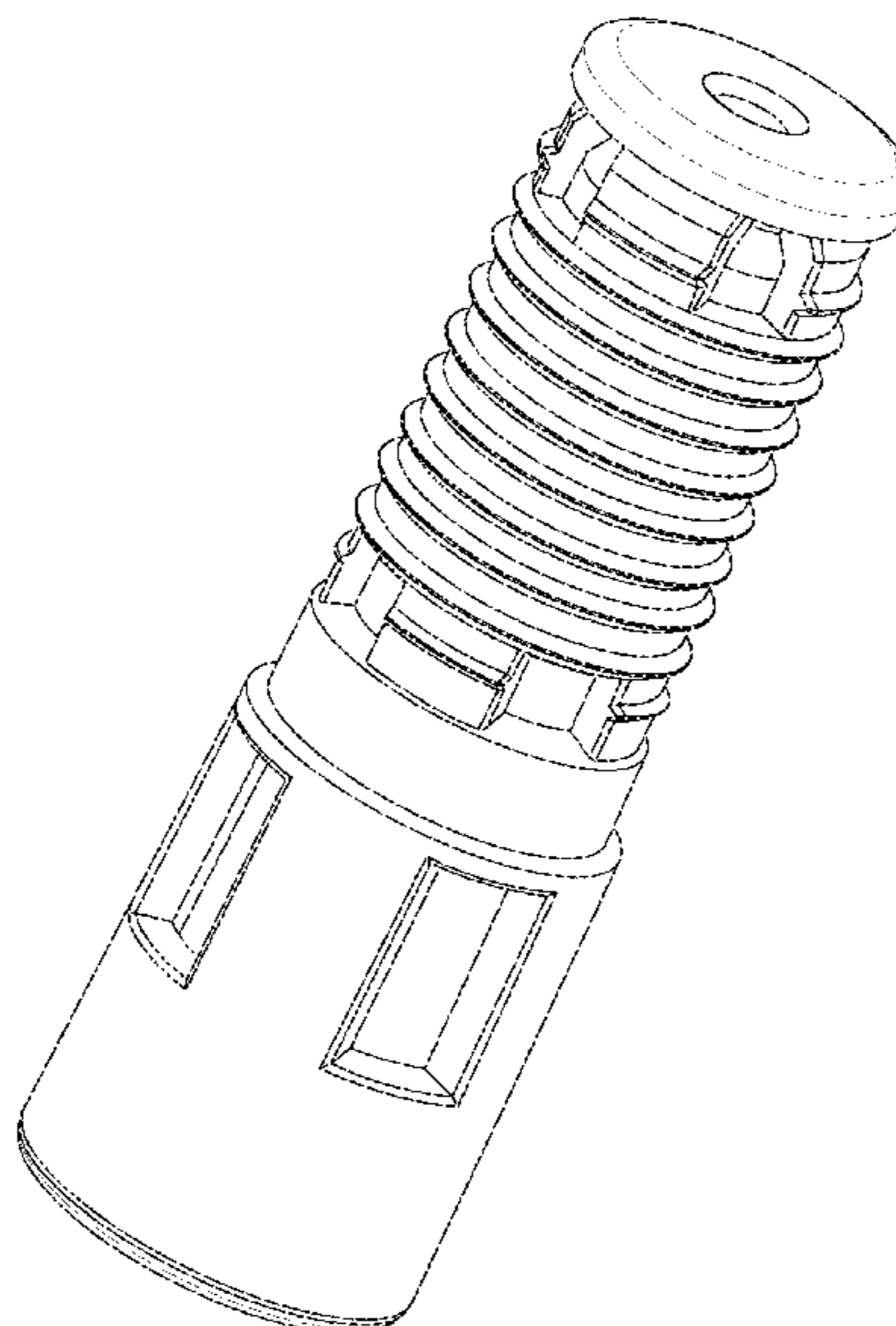
FIG. 1 is a side view of a protective cap for injection needle. FIG. 2 is a bottom view of a protective cap for injection needle.

FIG. 3 is a top view of a protective cap for injection needle. FIG. 4 is a perspective view of a protective cap for injection needle; and,

FIG. 5 is another perspective view of a protective cap for injection needle.

The broken lines are for environmental purposes only and form no part of the claimed design.

**1 Claim, 5 Drawing Sheets**



(56)

**References Cited**

U.S. PATENT DOCUMENTS

|              |      |         |                |             |
|--------------|------|---------|----------------|-------------|
| 10,751,482   | B2 * | 8/2020  | Schraga .....  | A61M 5/347  |
| 10,973,985   | B2 * | 4/2021  | Fournier ..... | A61M 5/3202 |
| D922,566     | S *  | 6/2021  | Ono .....      | D24/112     |
| D923,784     | S *  | 6/2021  | Pupino .....   | D24/130     |
| 11,040,149   | B1 * | 6/2021  | Banik .....    | A61M 5/3202 |
| 2015/0297837 | A1 * | 10/2015 | Schraga .....  | A61M 5/3202 |
|              |      |         |                | 604/192     |
| 2018/0339115 | A1 * | 11/2018 | Li .....       | A61M 5/3234 |

\* cited by examiner

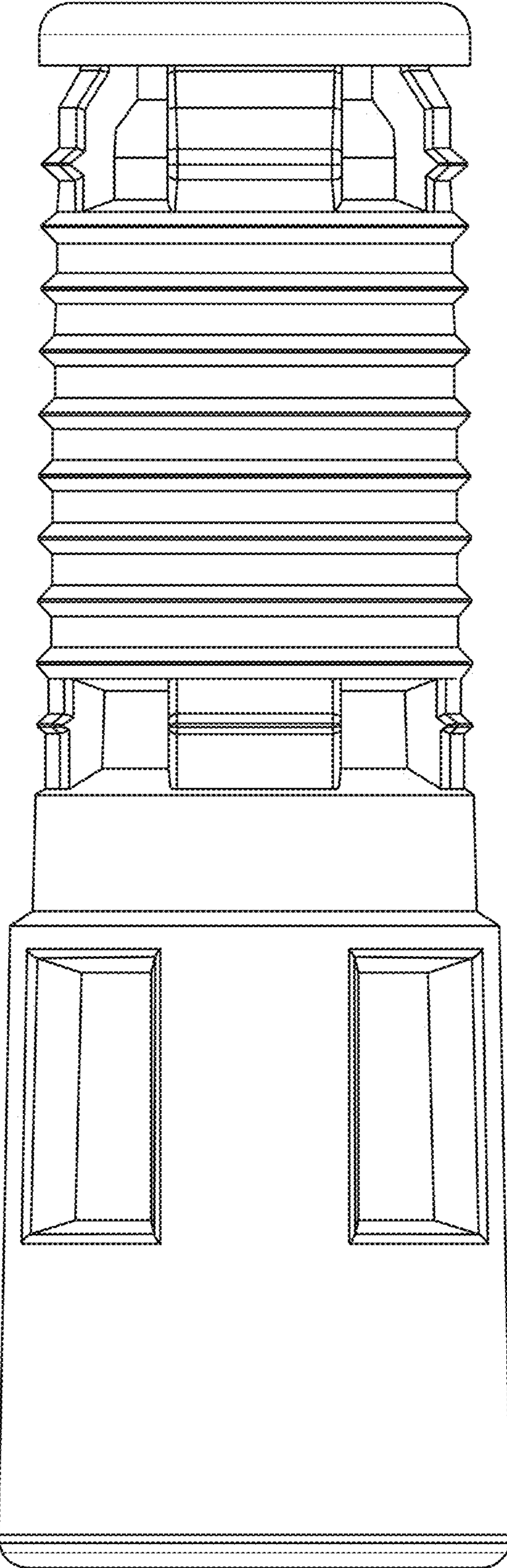


FIG. 1

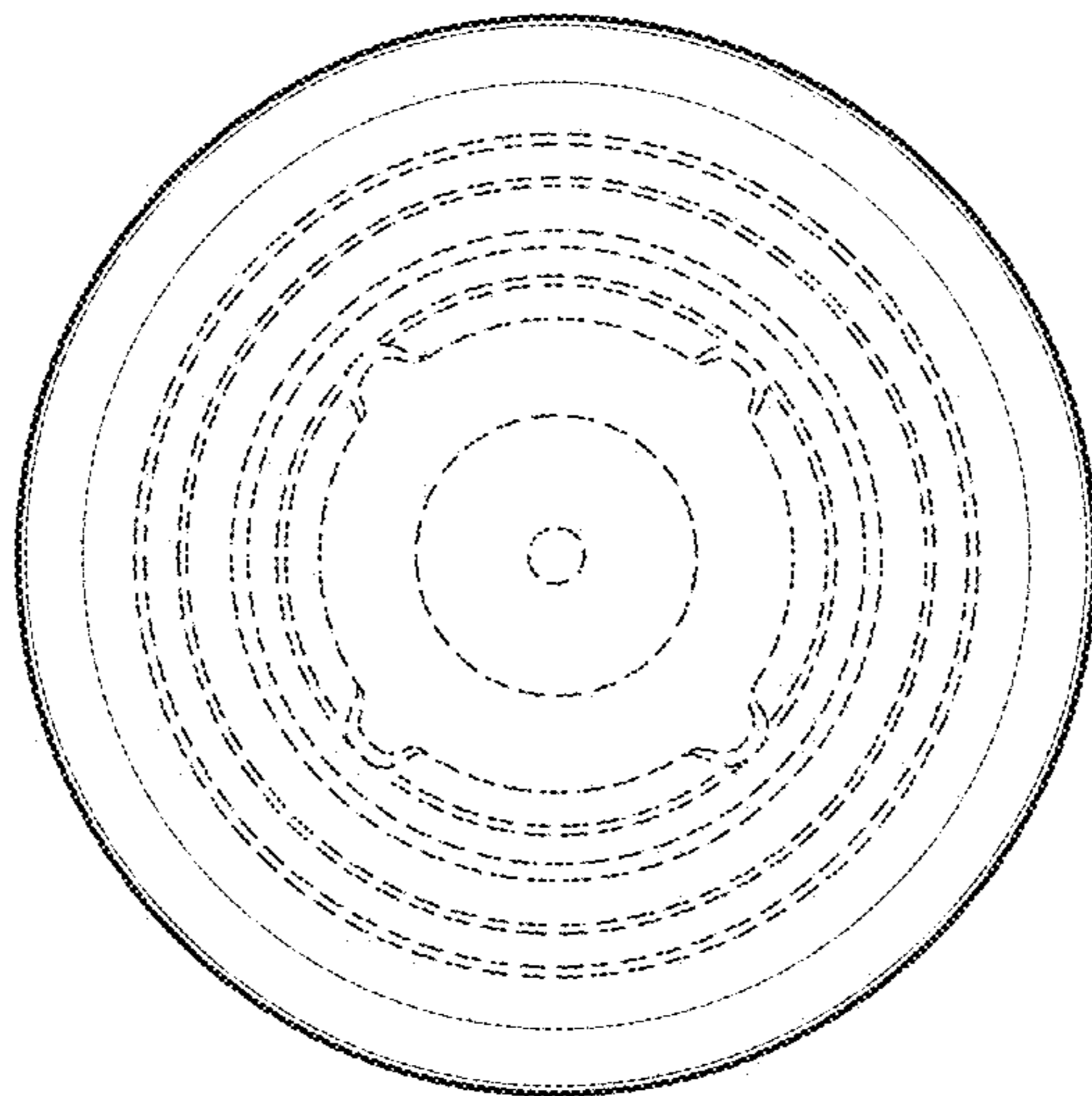


FIG. 2

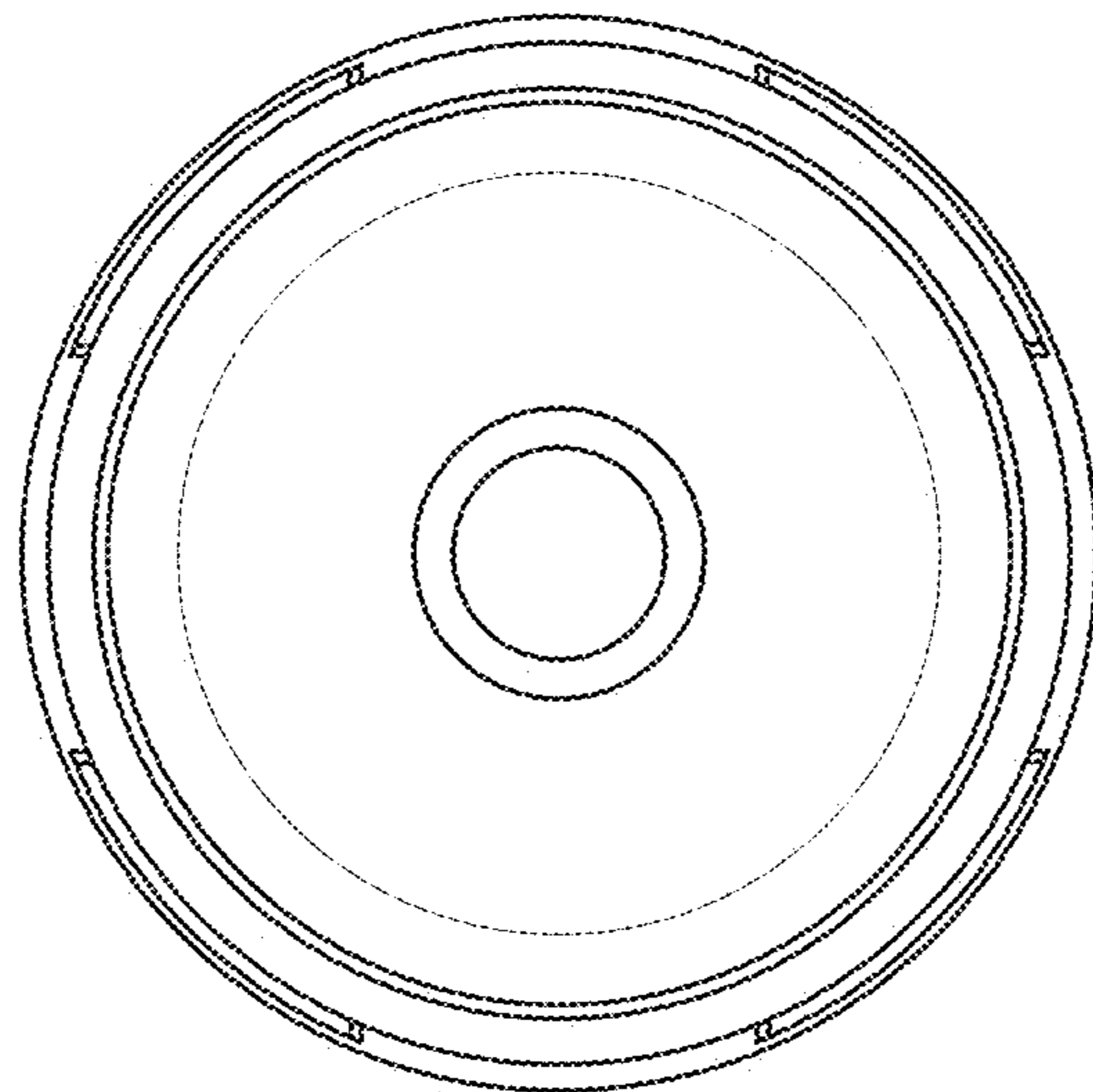


FIG. 3

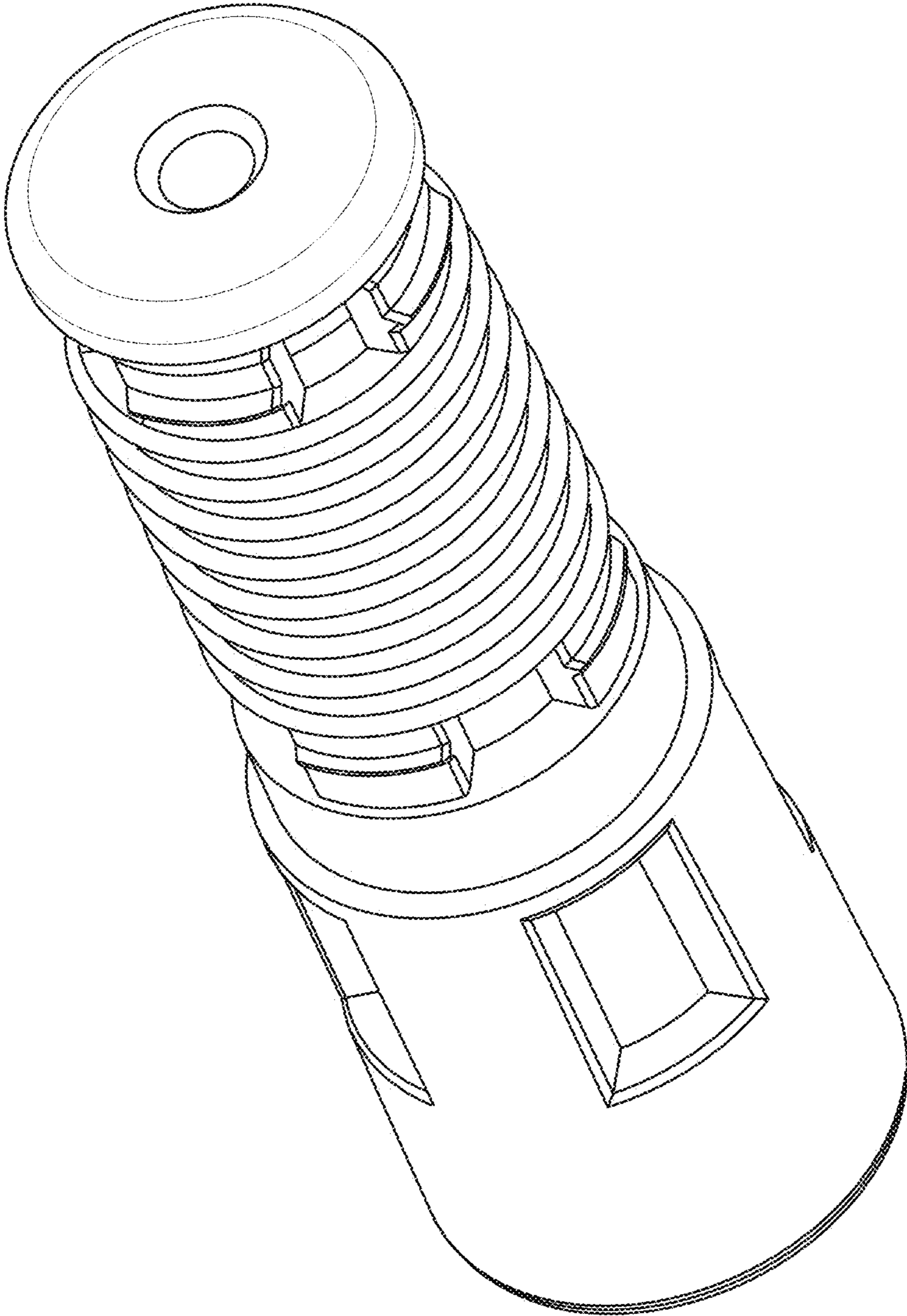


FIG. 4

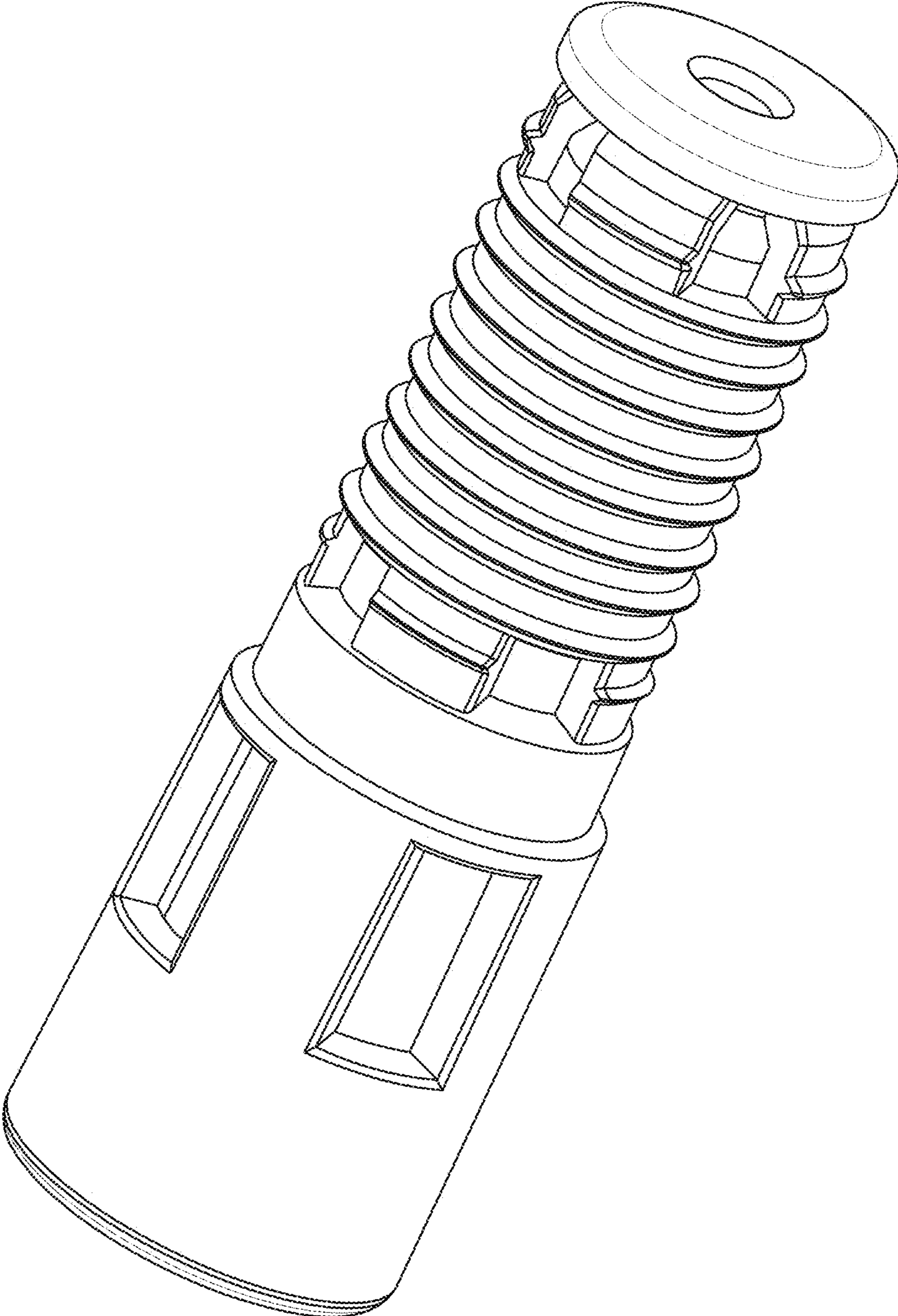


FIG. 5