



US00D953525S

(12) **United States Design Patent** (10) **Patent No.:** **US D953,525 S**
Millar (45) **Date of Patent:** **** May 31, 2022**

(54) **BLOOD PRESSURE TRANSDUCER HOLDER**

(71) Applicant: **Allen Currie Millar**, Rogers, AR (US)

(72) Inventor: **Allen Currie Millar**, Rogers, AR (US)

(**) Term: **15 Years**

(21) Appl. No.: **29/748,096**

(22) Filed: **Aug. 27, 2020**

(51) **LOC (13) Cl.** **24-02**

(52) **U.S. Cl.**
USPC **D24/128**

(58) **Field of Classification Search**
USPC D24/127-129, 229-231, 112; D8/349,
D8/354, 356, 372, 382-383, 394, 396,
D8/154
CPC A61B 8/4488; A61B 8/445; A61B 50/20;
F16L 3/223; F16L 3/243; A61L 2/26
See application file for complete search history.

(56) **References Cited**

U.S. PATENT DOCUMENTS

4,702,448	A	10/1987	LoJacono	
4,953,819	A	9/1990	Davis	
D414,872	S *	10/1999	Doyle	D24/190
6,409,131	B1	6/2002	Bentley et al.	
7,533,854	B2	5/2009	Aube	
D678,533	S	3/2013	Bernstein	
D734,305	S *	7/2015	Wengreen	D14/238.1
D737,435	S *	8/2015	Ha	D24/128
D791,965	S *	7/2017	Ochranek	D24/229
D837,367	S *	1/2019	Reaux	D24/128
10,190,609	B2	1/2019	Turturro et al.	
D886,295	S *	6/2020	Doiley	D24/128
10,694,986	B2	6/2020	Hoan et al.	
10,799,311	B2 *	10/2020	Loui	A61B 50/30
10,828,472	B2 *	11/2020	Kappler	A61M 27/00
10,835,666	B2 *	11/2020	Amir	C09J 7/30
D904,859	S *	12/2020	Mulvoy	D8/354

D915,603	S *	4/2021	Stalter	D24/185
D922,793	S *	6/2021	Lai	D6/571
D943,765	S *	2/2022	Griffin	D24/231
D946,153	S *	3/2022	Schafer	D24/187
2008/0011907	A1	1/2008	Jacobsma	
2008/0143222	A1 *	6/2008	Greiner	A47B 49/004 312/227
2014/0259557	A1	9/2014	Egan	

OTHER PUBLICATIONS

TruClip Holder, Edwards Lifesciences, Youtube: Edwards Lifesciences Clinical Education, [Post date: Jul. 13, 2020], [Site seen: Mar. 21, 2022], Seen at URL: <https://www.youtube.com/watch?v=xDvvpDcd0xU> (Year: 2020).*

(Continued)

Primary Examiner — Natasha Vujcic
Assistant Examiner — Gilbert B Ford
(74) *Attorney, Agent, or Firm* — Dennis D. Brown;
Brown Patent Law, P.L.L.C.

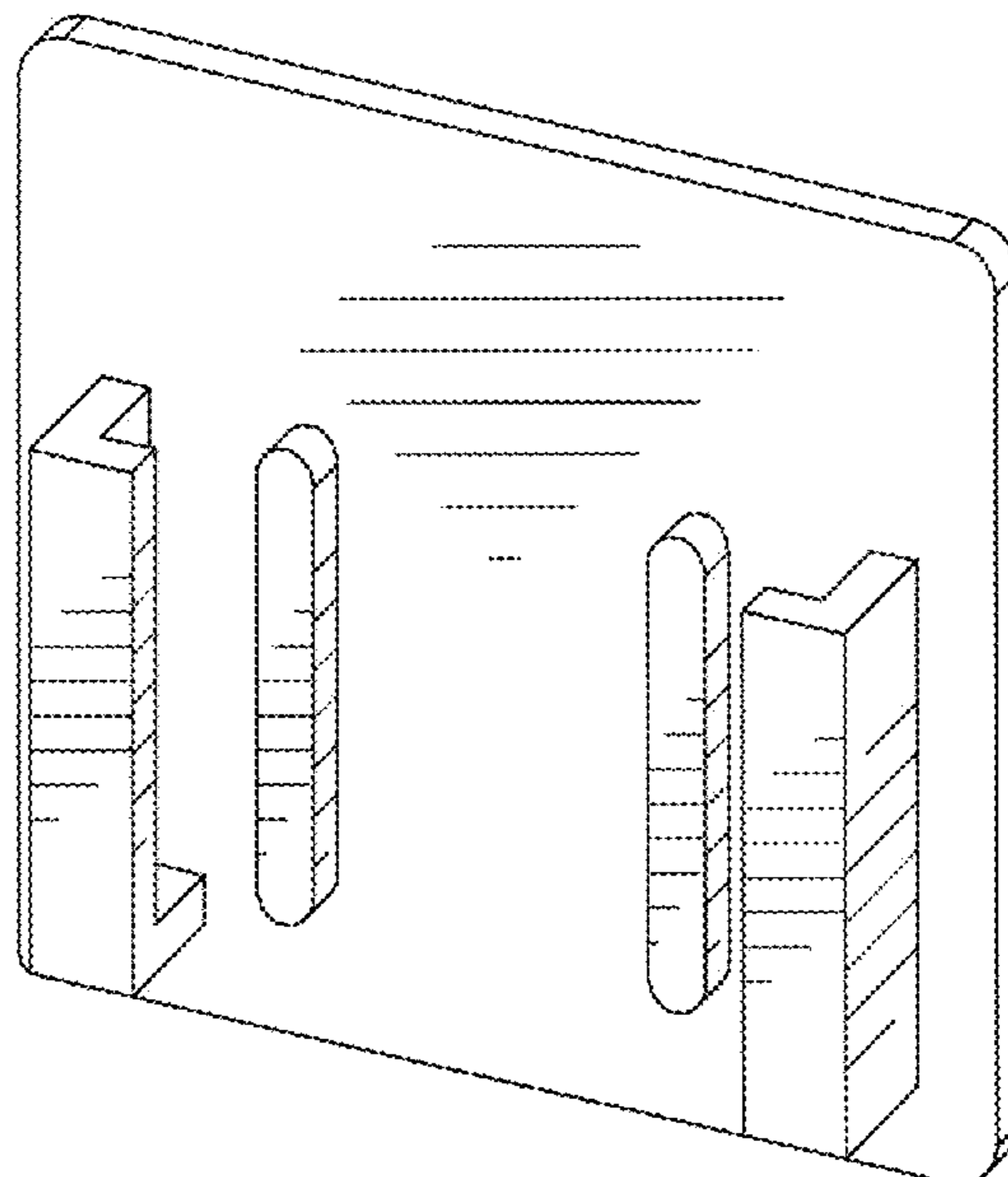
(57) **CLAIM**

I claim, the ornamental design for a blood pressure transducer holder, as shown and described.

DESCRIPTION

FIG. 1 is a perspective view of a blood pressure transducer holder, showing my new design;
FIG. 2 is a front elevational view thereof.
FIG. 3 is a rear elevational view thereof.
FIG. 4 is a top plan view thereof.
FIG. 5 is a bottom view thereof.
FIG. 6 is an elevational left side view thereof; and,
FIG. 7 is an elevational right side view thereof.
The broken lines in the drawings illustrate portions of a blood pressure transducer holder and form no part of the claimed design.

1 Claim, 3 Drawing Sheets



(56)

References Cited

OTHER PUBLICATIONS

Arterial Line Transducer Holder for IV Pole, 3 Transducers, AHS, American Hospital Supply, [Post date: unknown], [Site seen Mar. 21, 2022], Seen at URL: <https://american-hospital-supply.com/products/transducer-holder-for-3-transducers-1> (Year: 2022).*

Transd Mount Plate Single, medline, Medical Product Supply, [Post date: unknown], [Site seen Mar. 21, 2022], Seen at URL: <https://medicalproductssupply.com/transducer-mount-plates.html> (Year: 2022).*
Edwards; Pressure Monitoring Accessory, Model: TCLIP05; Page from Instruction Book.

* cited by examiner

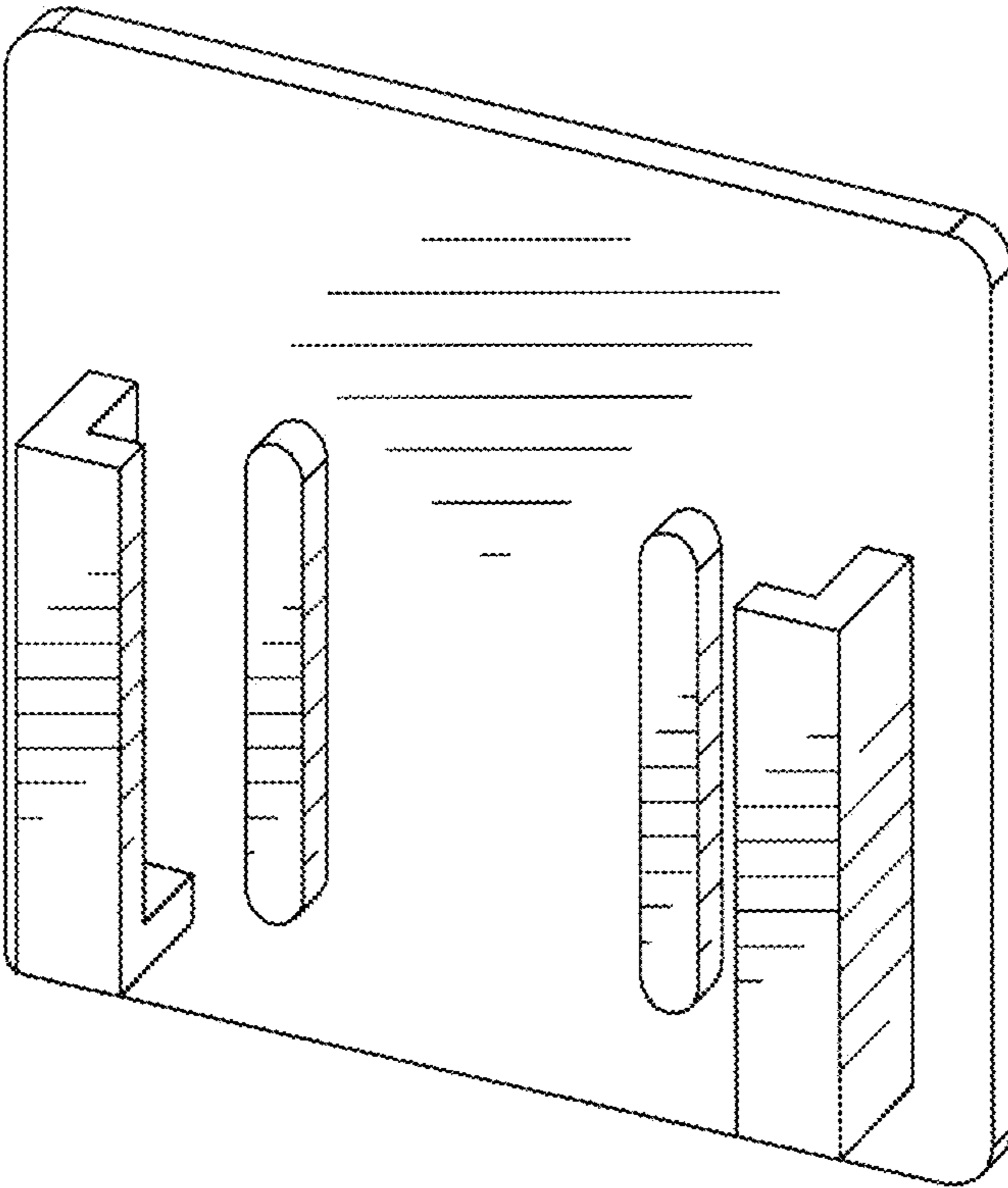


FIG. 1

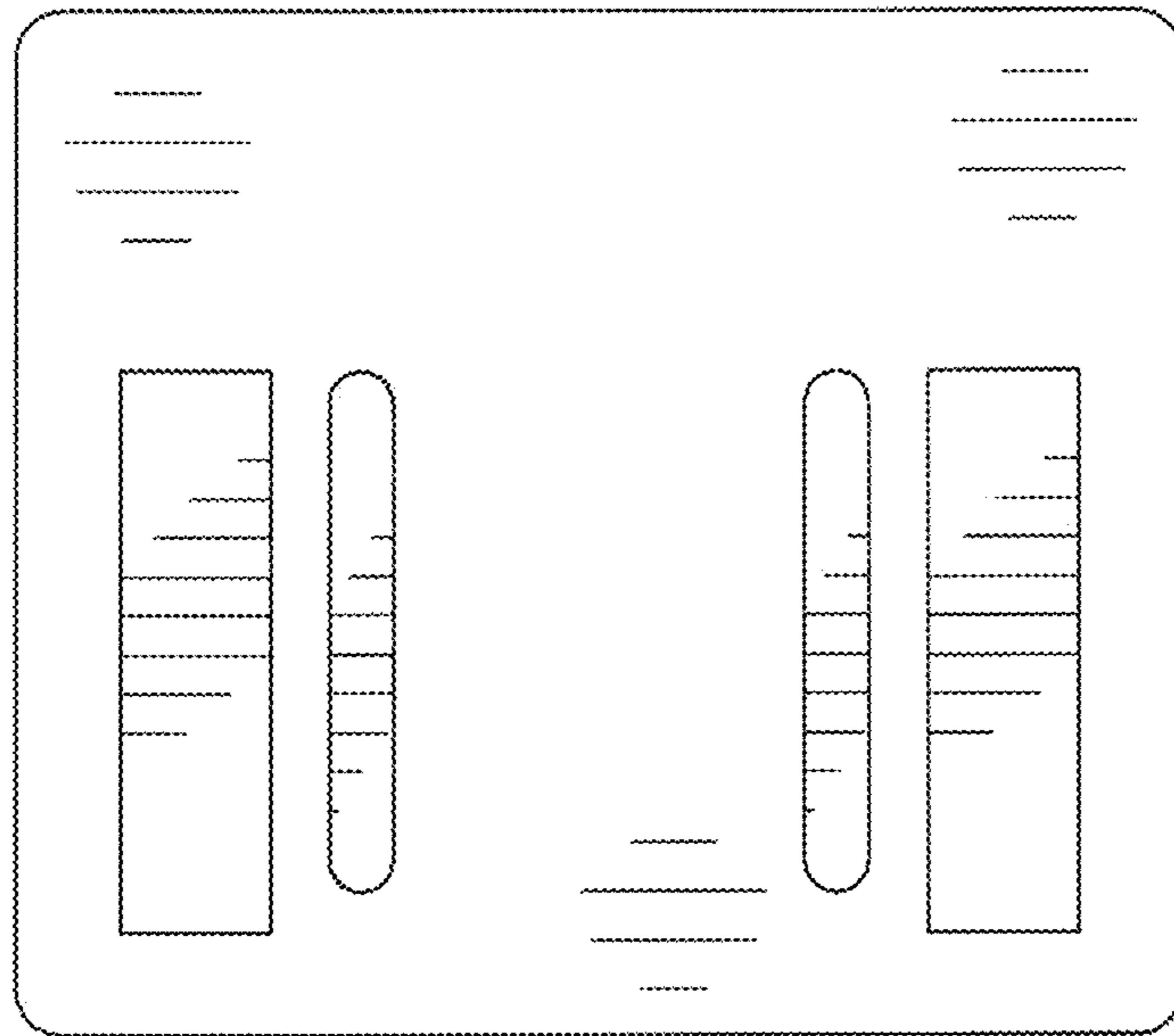


FIG. 2

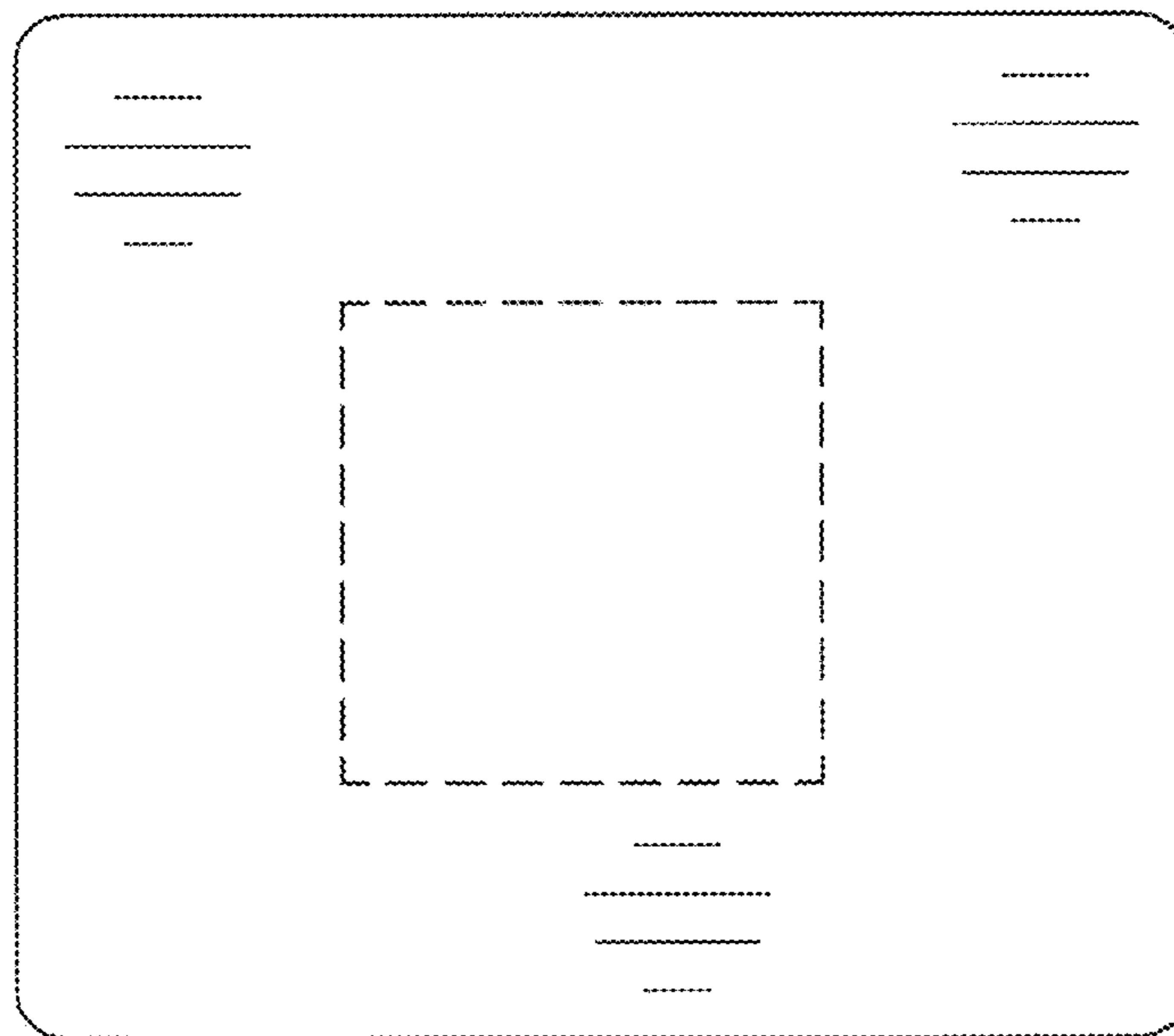


FIG. 3

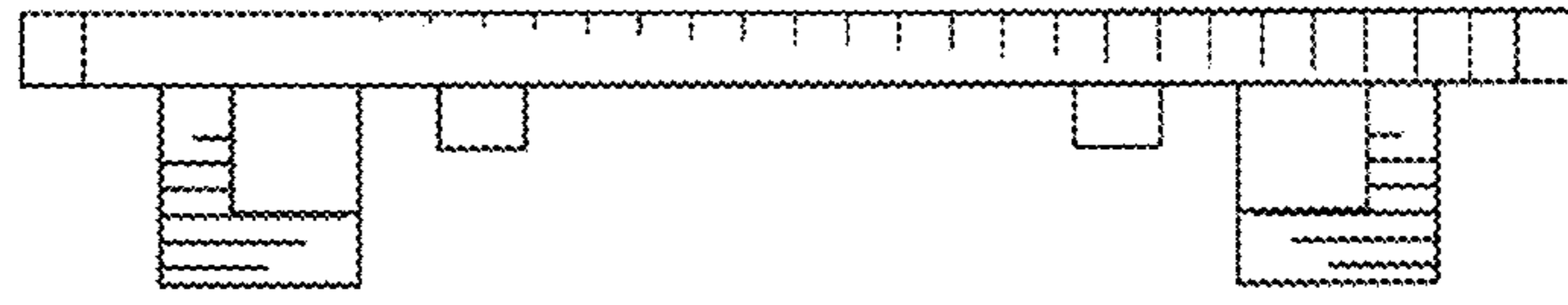


FIG. 4

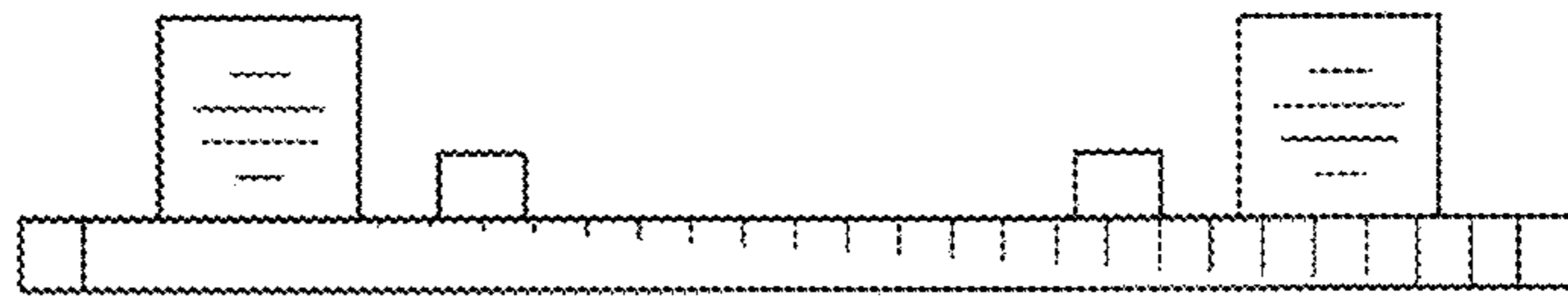


FIG. 5

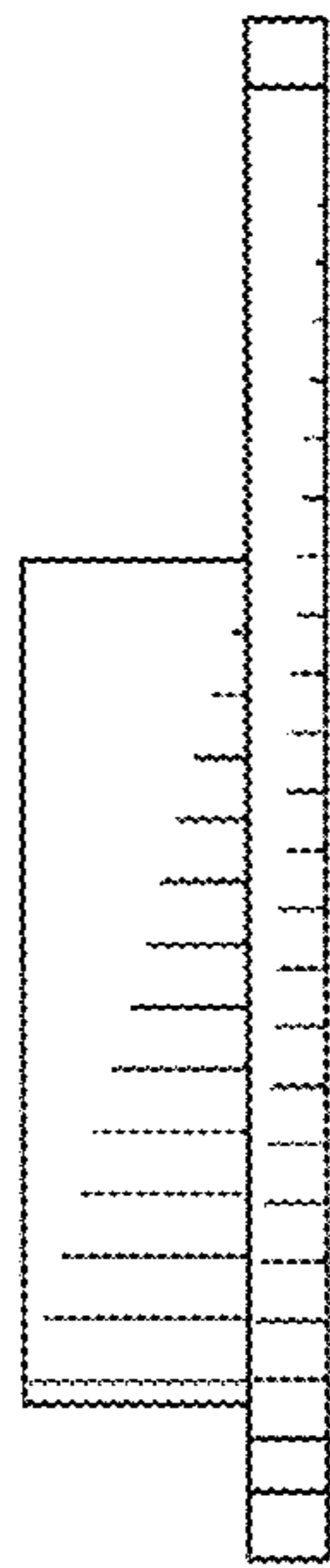


FIG. 6

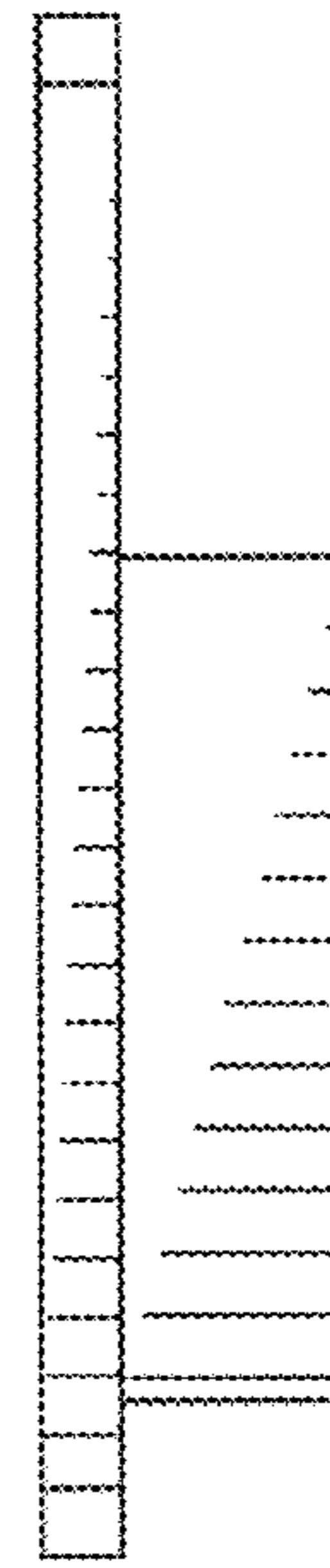


FIG. 7