



US00D953522S

(12) **United States Design Patent**
Scott

(10) **Patent No.:** **US D953,522 S**
(45) **Date of Patent:** **** May 31, 2022**

- (54) **CANNULA**
- (71) Applicant: **ETHICON LLC**
- (72) Inventor: **Gregory George Scott**, Cincinnati, OH (US)
- (73) Assignee: **CILAG GMBH INTERNATIONAL**, Zug (CH)
- (**) Term: **15 Years**
- (21) Appl. No.: **29/711,847**
- (22) Filed: **Nov. 4, 2019**
- (51) **LOC (13) Cl.** **24-02**
- (52) **U.S. Cl.**
USPC **D24/112**
- (58) **Field of Classification Search**
USPC D24/112-114, 108, 130, 127, 133, 186, D24/121-123; 606/181, 185; 604/264, 604/523-528, 272, 164.01-164.11, 187, 604/93.01; 600/101, 139, 143; 128/200.24, 207.14, 207.15; D7/700
CPC .. A61M 25/065; A61M 5/42; A61M 25/0612; A61M 25/00; A61M 39/00; A61M 27/00; A61M 25/0043; A61M 25/0067; A61M 25/0097; A61F 2/958
See application file for complete search history.

- D559,048 S * 1/2008 McKenzie D15/150
- D560,105 S * 1/2008 McKenzie D15/150
- 7,438,694 B2 * 10/2008 Boozer A61B 5/14532
600/583
- 8,211,135 B2 * 7/2012 Heinrich A61B 17/3417
606/190
- 8,273,060 B2 * 9/2012 Moreno, Jr. A61B 17/3462
604/167.06
- D728,329 S * 5/2015 Wirth D7/700
- D832,664 S * 11/2018 Degerland D7/700
- D891,633 S * 7/2020 Hole D24/216
- 10,814,119 B2 * 10/2020 Donaldson F02D 19/02
- D907,764 S * 1/2021 Hidaka D24/112
- D912,511 S * 3/2021 Berry D9/436

* cited by examiner

Primary Examiner — David G Muller

(57) **CLAIM**

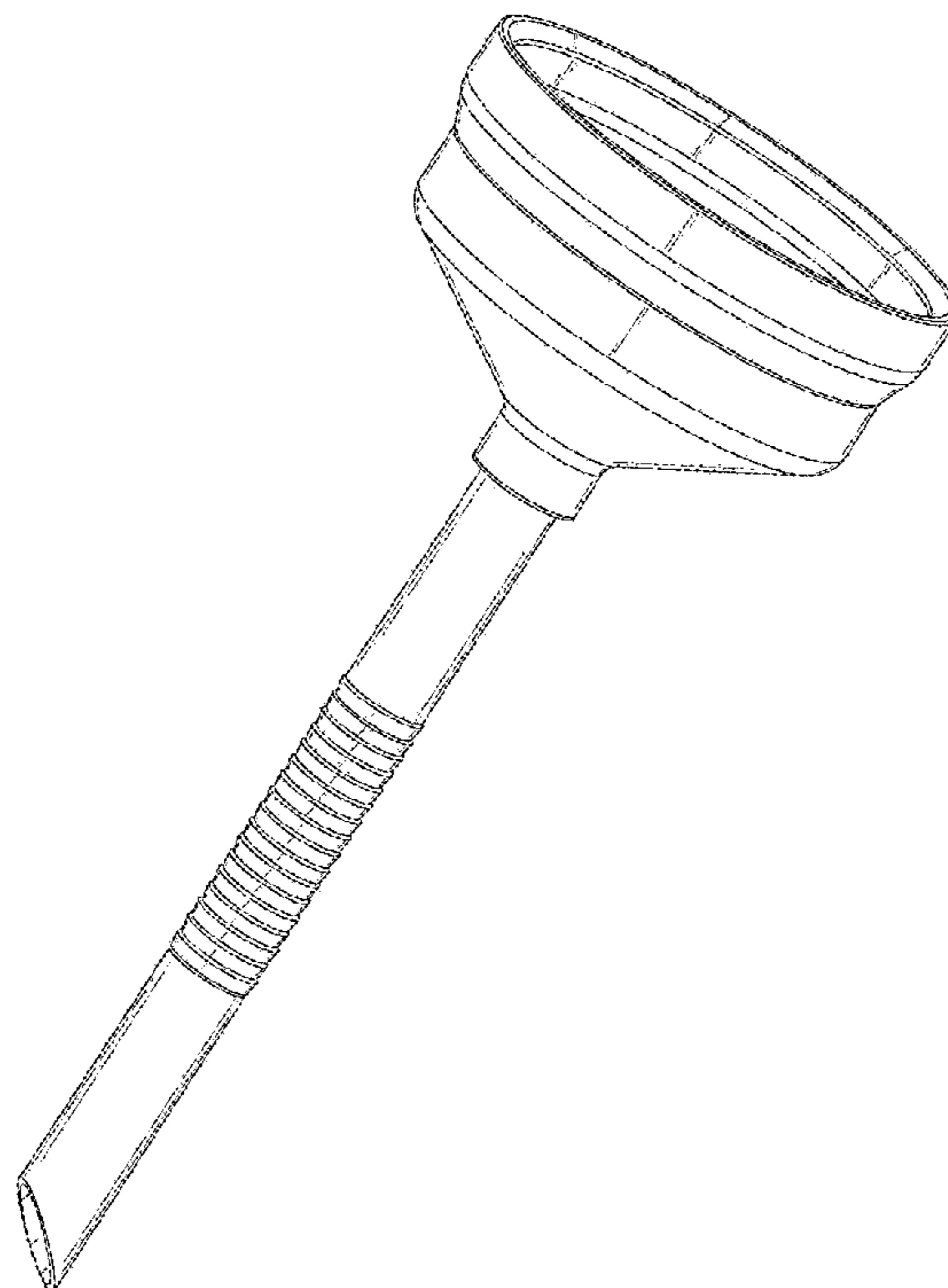
The ornamental design for a cannula, as shown and described.

DESCRIPTION

FIG. 1 is a perspective view of an embodiment of a cannula embodying my new design;
 FIG. 2 is a first side view of the cannula of FIG. 1;
 FIG. 3 is a second side view of the cannula of FIG. 1;
 FIG. 4 is a third view of the cannula of FIG. 1;
 FIG. 5 is a fourth side view of the cannula of FIG. 1;
 FIG. 6 is a top view of the cannula of FIG. 1; and,
 FIG. 7 is a bottom view of the cannula of FIG. 1.
 The broken line showing of parts of the drawings is included for the purpose of illustrating use and environment and forms no part of the claimed design.

1 Claim, 6 Drawing Sheets

- (56) **References Cited**
U.S. PATENT DOCUMENTS
D335,924 S * 5/1993 Nilsson D24/115
D340,460 S * 10/1993 Pollak D15/150



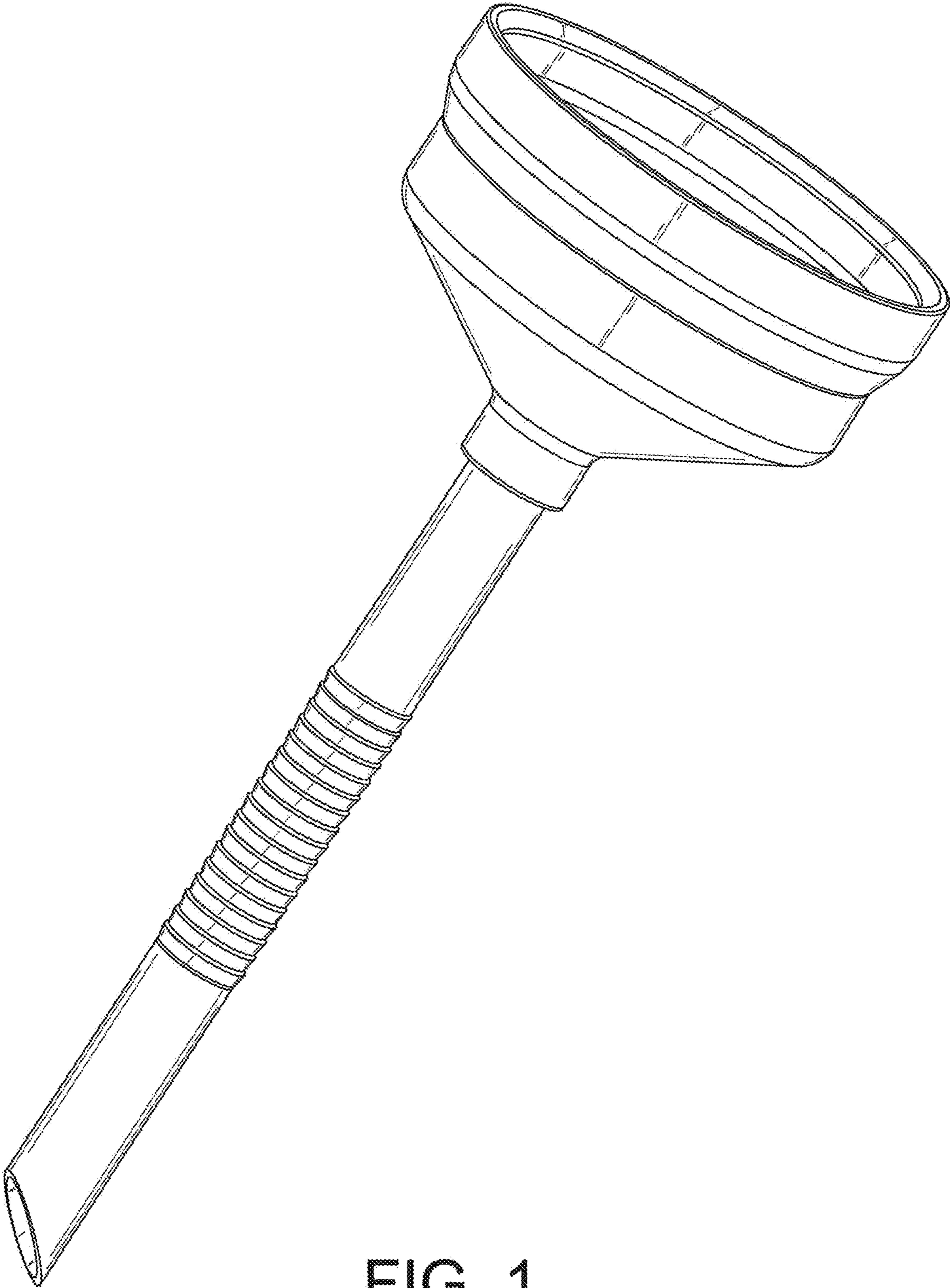


FIG. 1

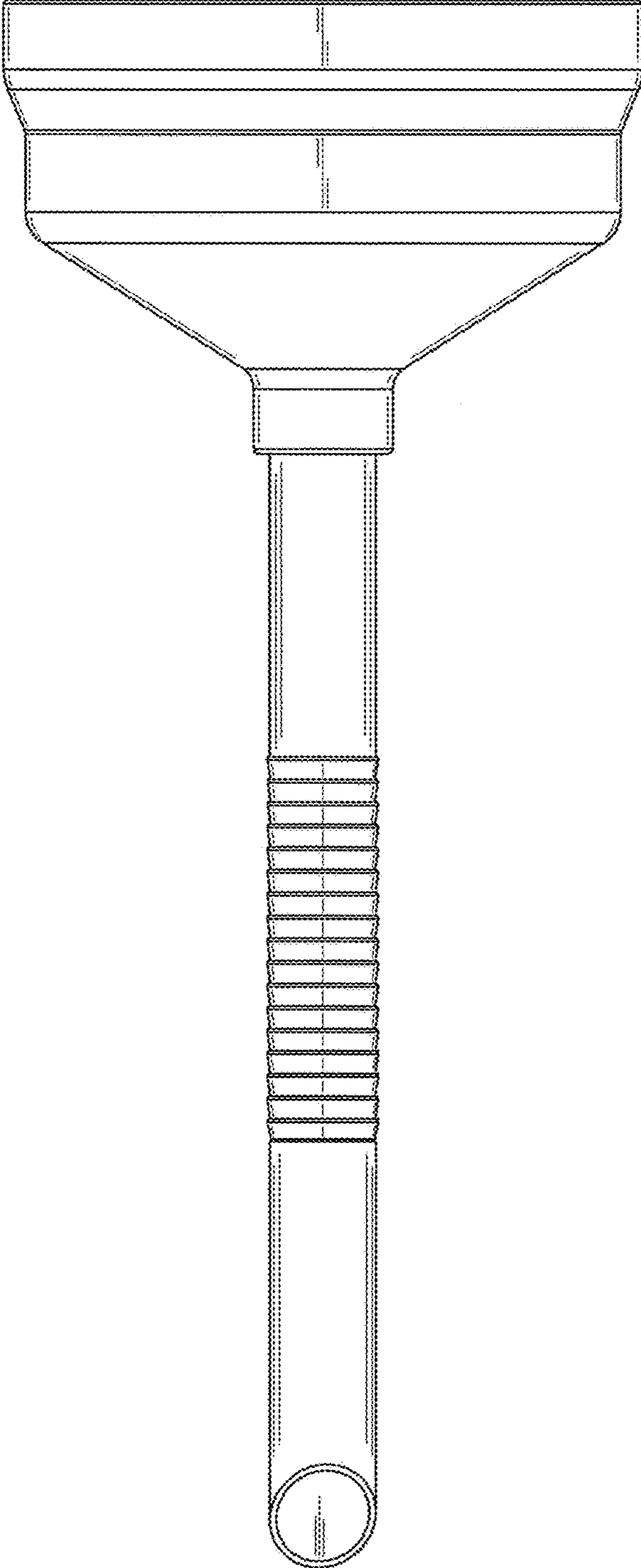


FIG. 2

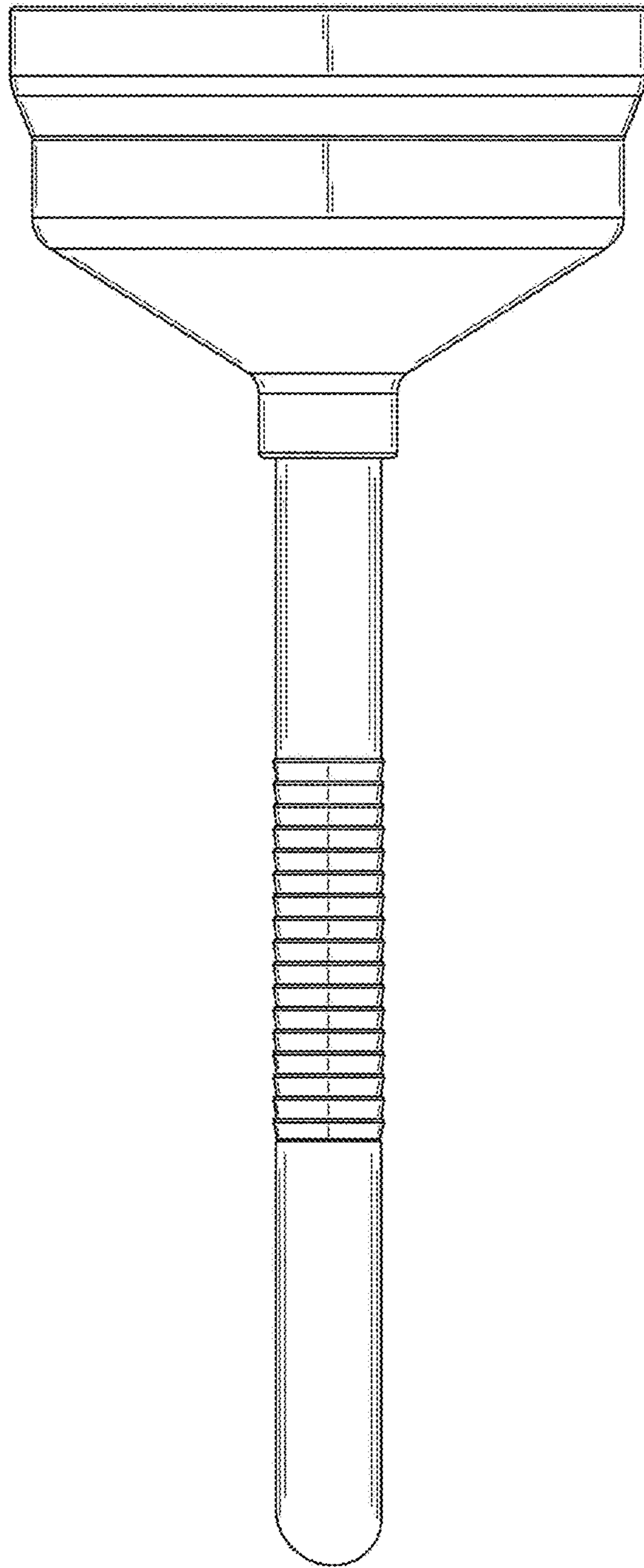


FIG. 3

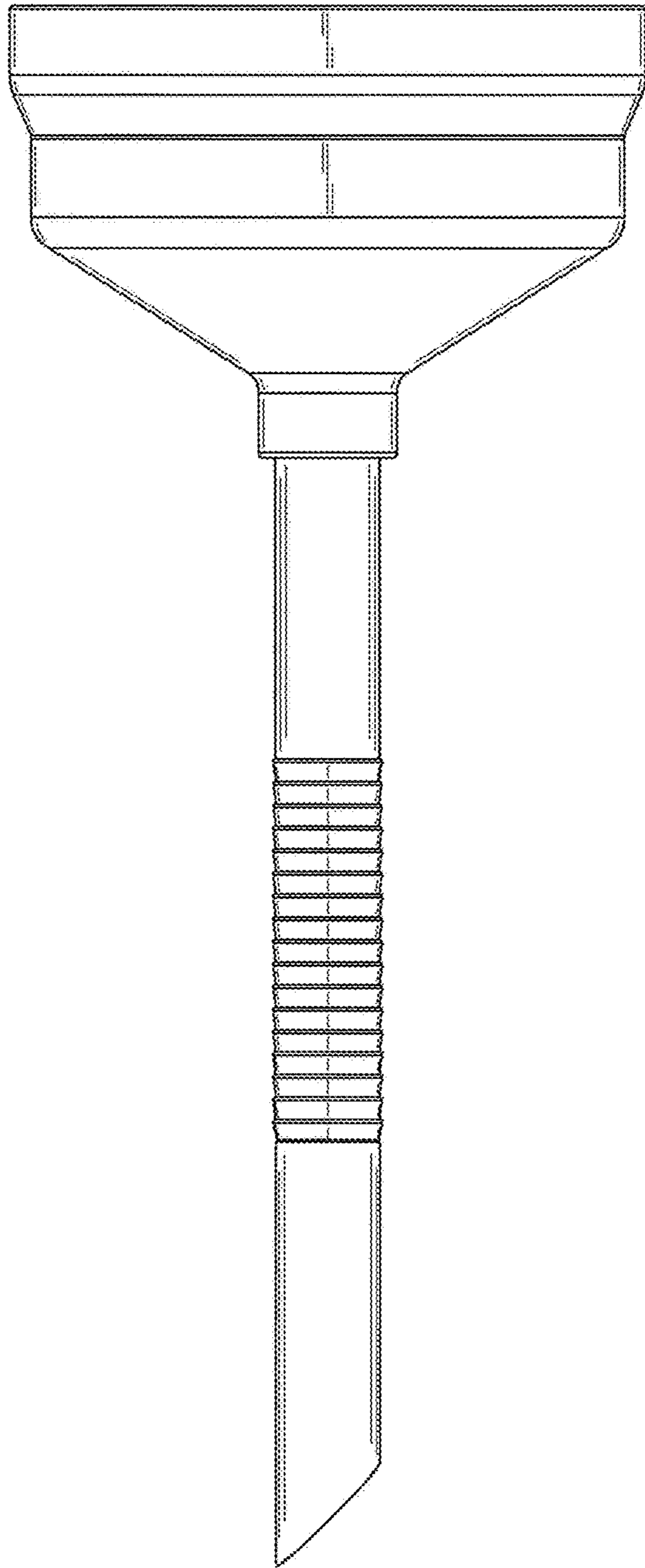


FIG. 4

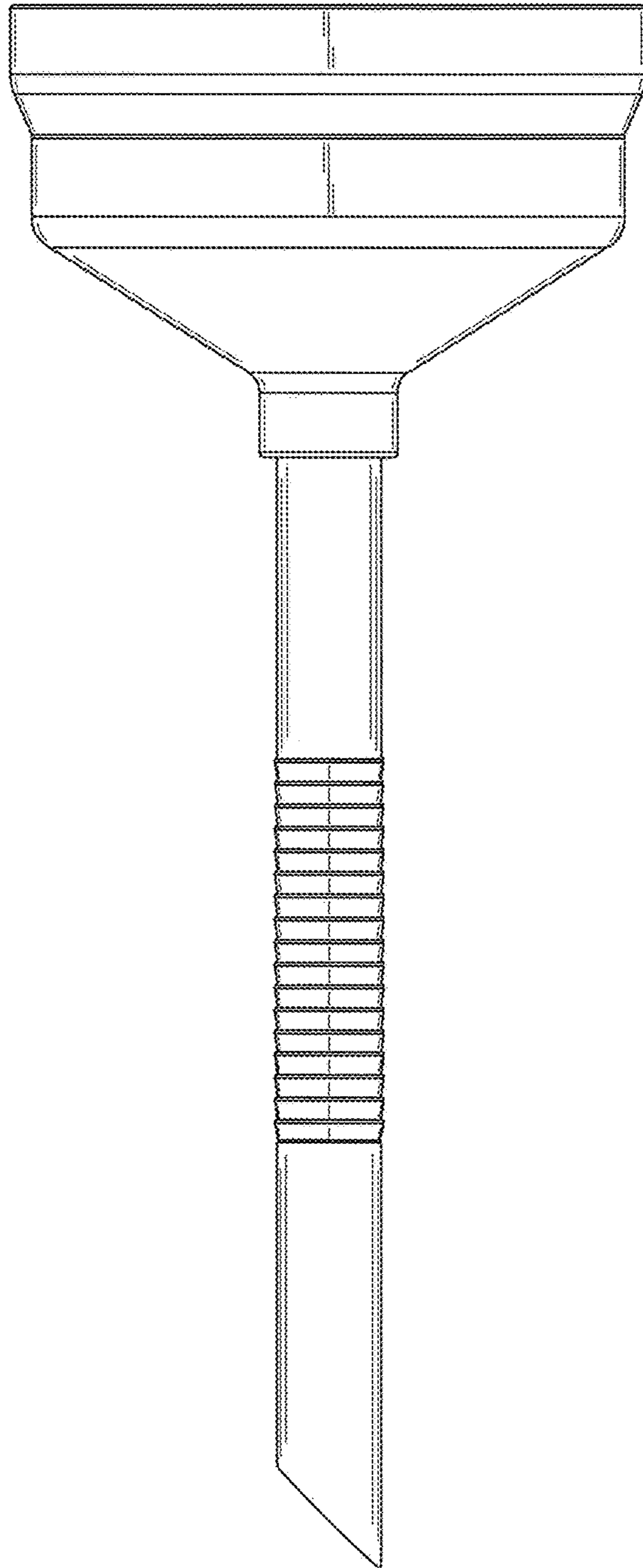


FIG. 5

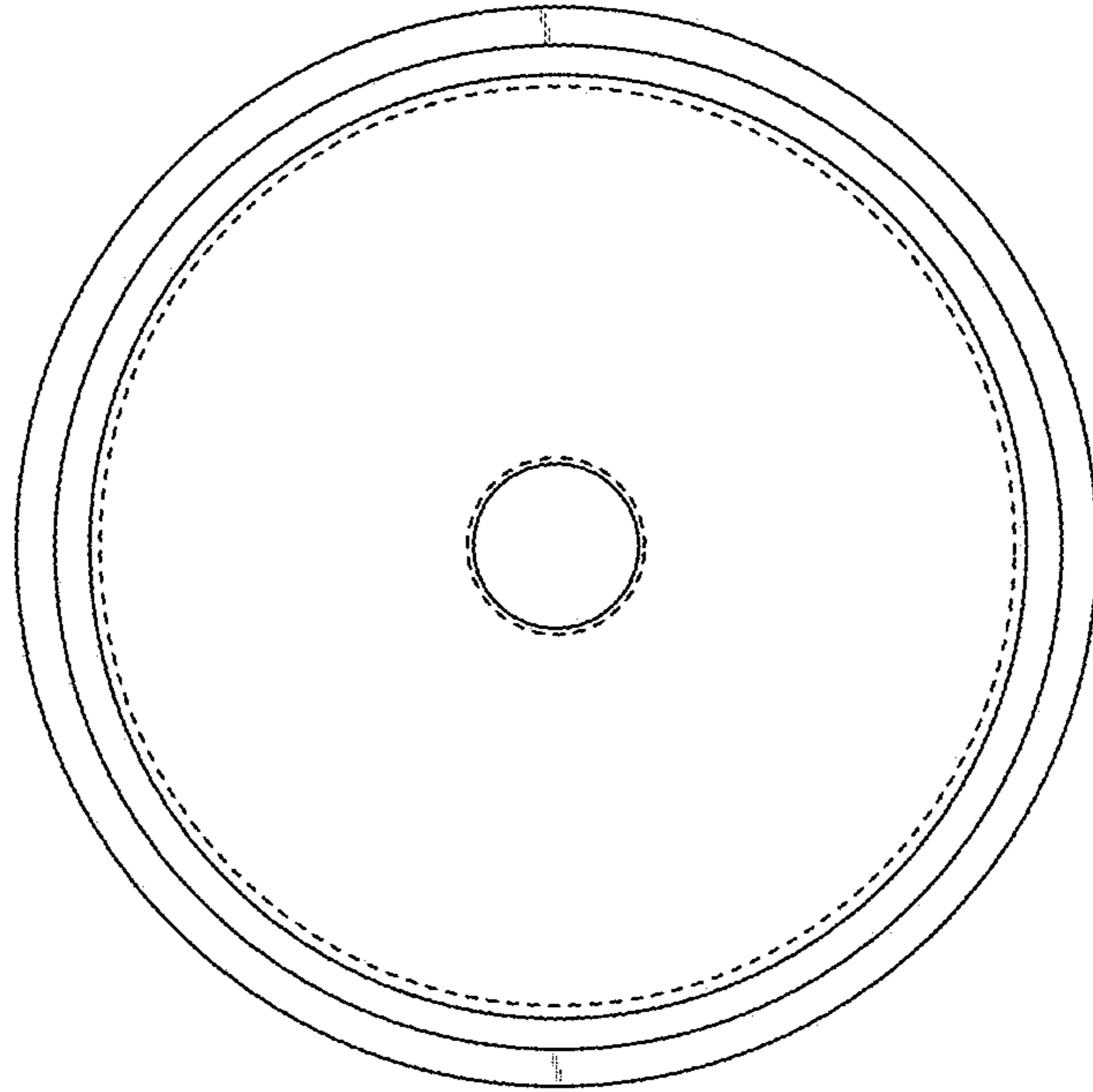


FIG. 6

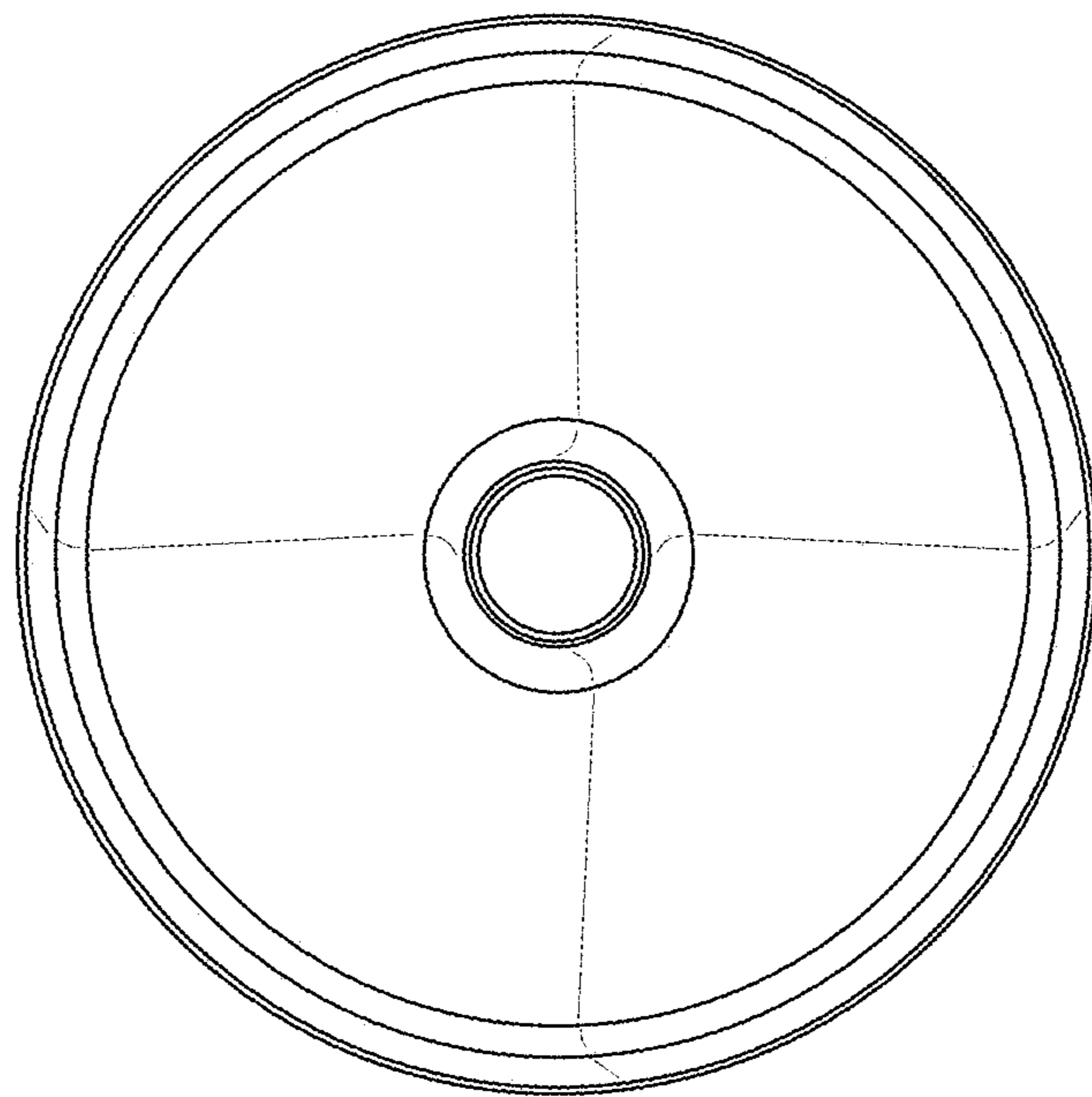


FIG. 7