



US00D953521S

(12) **United States Design Patent**
Zhou et al.

(10) **Patent No.:** **US D953,521 S**
(45) **Date of Patent:** **** May 31, 2022**

- (54) **ORAL IRRIGATOR**
- (71) Applicant: **Colgate-Palmolive Company**, New York, NY (US)
- (72) Inventors: **Jiang Zhou**, Yangzhou (CN); **Yanmei Ji**, Jiangsu (CN); **Fan Gang Xie**, Shanghai (CN); **Bo Zhang**, Yangzhou (CN)
- (73) Assignee: **Colgate-Palmolive Company**, New York, NY (US)

D413,975 S 9/1999 Maeda
 D548,334 S 8/2007 Izumi
 D625,406 S 10/2010 Seki et al.
 8,753,117 B2 6/2014 Edwards et al.
 9,642,677 B2 5/2017 Luetngen et al.
 (Continued)

FOREIGN PATENT DOCUMENTS

CH 145187-0001 2/2020
 CH 145187-0002 2/2020
 (Continued)

OTHER PUBLICATIONS

“New Colgate Blast Water Flosser”, posted by Colgate Australia & New Zealand. Youtube. Posting date: May 19, 2021. Retrieval date: Nov. 3, 2021. Retrieved from internet: <https://www.youtube.com/watch?v=Bmbjm6cmMQU> (Year: 2021).*
 (Continued)

- (**) Term: **15 Years**
- (21) Appl. No.: **29/801,325**
- (22) Filed: **Jul. 28, 2021**

Related U.S. Application Data

- (62) Division of application No. 29/704,763, filed on Sep. 6, 2019, now Pat. No. Des. 929,574.
- (51) **LOC (13) Cl.** **24-02**
- (52) **U.S. Cl.**
USPC **D24/111**
- (58) **Field of Classification Search**
USPC D24/111, 108, 112–115, 117, 152, 176;
D4/101, 102, 110, 111
CPC ... A61C 15/046; A61C 15/047; A61C 15/048;
A61C 17/00; A61C 17/005; A61C 17/02;
A61C 17/0202; A61C 17/0205; A61C
17/0211; A61C 17/16; A61C 17/22; A61C
17/222; A61C 17/225; A61C 17/227;
A61C 17/28; A61C 17/32; A61C 17/34;
A61C 17/36
See application file for complete search history.

Primary Examiner — Lilyana Bekic
Assistant Examiner — Lee D. Starr

(57) **CLAIM**

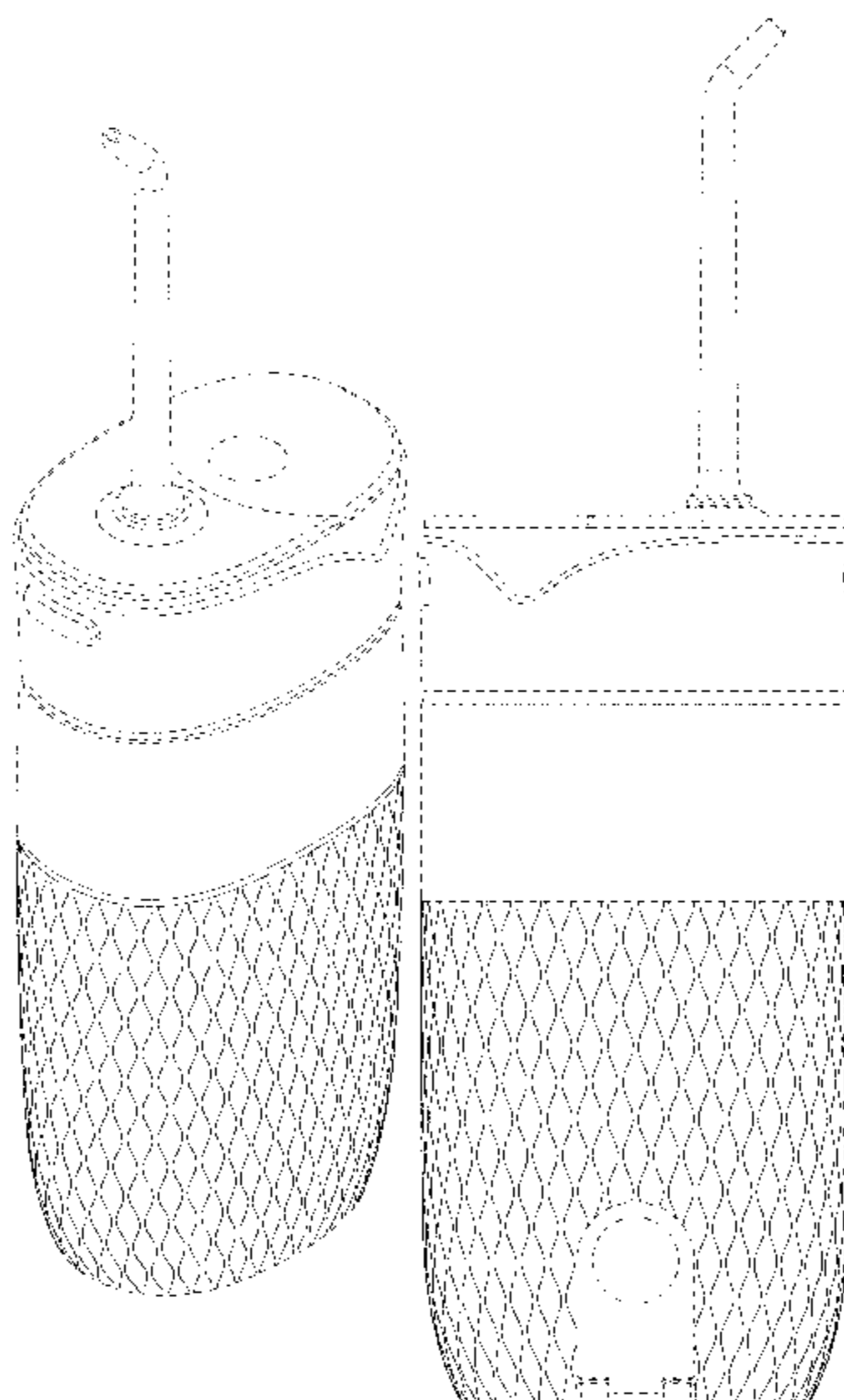
The ornamental design for an oral irrigator, as shown and described.

DESCRIPTION

FIG. 1 is a front perspective view of an oral irrigator showing our new design;
 FIG. 2 is a rear perspective view thereof;
 FIG. 3 is a front view thereof;
 FIG. 4 is a rear view thereof;
 FIG. 5 is a right side view thereof;
 FIG. 6 is a left side view thereof;
 FIG. 7 is a top view thereof; and,
 FIG. 8 is a bottom view thereof.
 The broken lines in the drawings illustrate portions of the oral irrigator that form no part of the claimed design.

- (56) **References Cited**
U.S. PATENT DOCUMENTS
D322,314 S 12/1991 Ohbayashi
D373,631 S 9/1996 Maeda et al.

1 Claim, 7 Drawing Sheets



(56)

References Cited

U.S. PATENT DOCUMENTS

D812,219	S	3/2018	Wang	
D822,196	S	7/2018	Kim	
D825,741	S	8/2018	Massie et al.	
10,130,452	B2	11/2018	Baragona et al.	
D865,160	S	10/2019	Yan	
D865,944	S	11/2019	Yan	
D909,568	S	2/2021	Xia	
D929,574	S	* 8/2021	Zhou	D24/111
D932,005	S	* 9/2021	Li	D24/111
2018/0125221	A1	5/2018	Wronski et al.	
2018/0221124	A1	8/2018	Carlyle et al.	
2019/0105139	A1	4/2019	Zhou	

FOREIGN PATENT DOCUMENTS

CH	145187-0003	2/2020
CN	103040532	4/2013
CN	204995600	1/2016
CN	205359673	7/2016
CN	104582632	10/2016
CN	108553191	9/2018
CN	109223220	1/2019
CN	305067887	3/2019
CN	208942449	6/2019
CN	305313625	8/2019
CN	305692455	4/2020
CN	305795989	5/2020
CN	305845555	6/2020
CN	305924052	7/2020
CN	305991803	8/2020
CN	306427099	* 3/2021
CN	306544787	* 5/2021

CN	306834391	* 9/2021
CN	306834397	* 9/2021
CN	306843175	* 9/2021
CN	306843176	* 9/2021
CN	306897050	* 10/2021
EM	EU 001162697-0001	* 9/2009
EM	306575791-0001	6/2019
EM	007506506-0003	1/2020
EM	307506506-0001	1/2020
EM	307506506-0002	1/2020
GB	9008313167-0002	* 12/2020
JP	D1576135	5/2017
KR	3005795870000	11/2010
KR	3010072790000	5/2019
TW	585737	4/2004
WO	2018/065747	4/2018

OTHER PUBLICATIONS

“Pink Colgate Water Flosser | Unboxing”, posted by Liyadnan. Youtube,. Posting date: May 3, 2021. Retrieval date: Nov. 3, 2021. Retrieved from internet: <https://www.youtube.com/watch?v=wzRBZU35zMI> (Year: 2021).*

Taiwan IP Office (TIPO), TIPO Search Report issued for Taiwan Application No. 109300942, dated Jul. 29, 2020, including English translation, pp. 1-2.

Taiwan IP Office (TIPO), TIPO Search Report issued for Taiwan Application No. 109300943, dated Jul. 29, 2020, including English translation, pp. 1-2.

Taiwan IP Office (TIPO), TIPO Search Report issued for Taiwan Application No. 109300944, dated Jul. 29, 2020, including English translation, pp. 1-2.

* cited by examiner

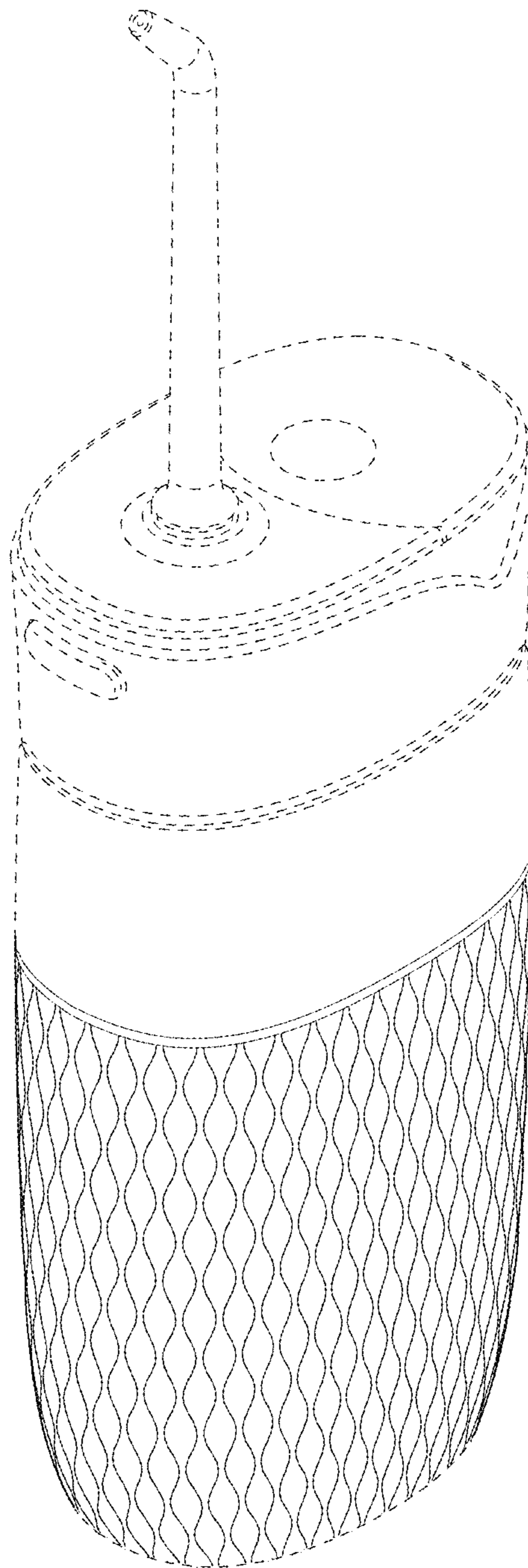


FIG. 1

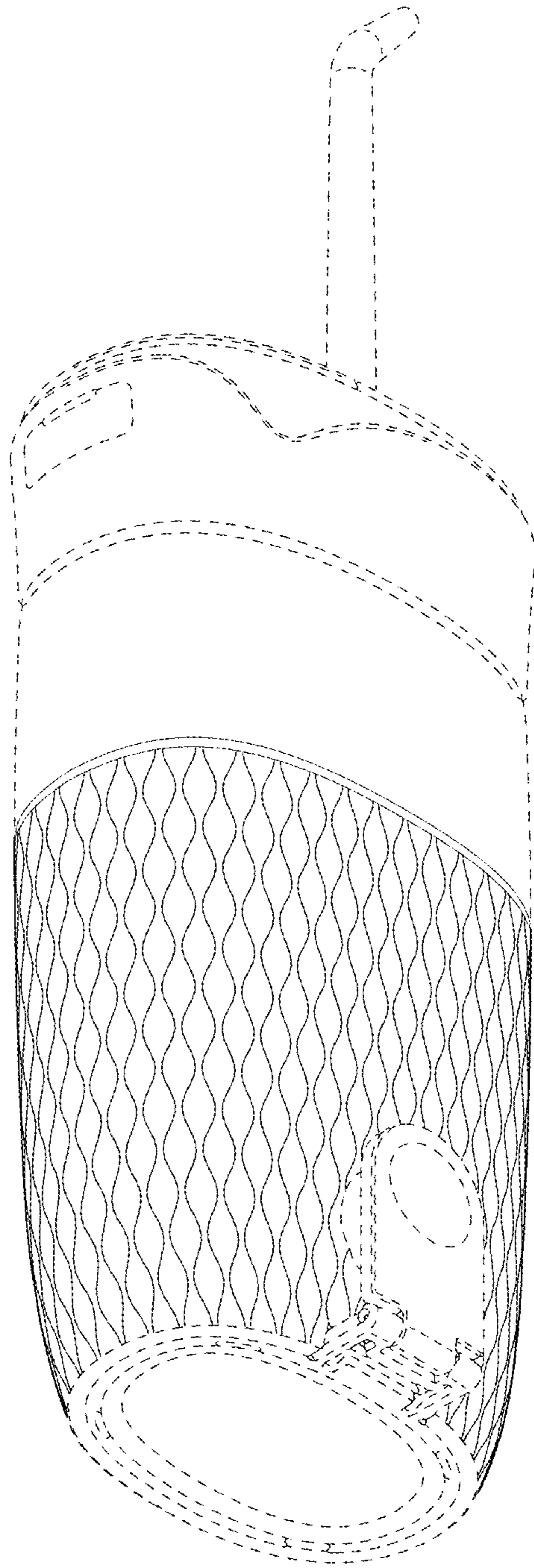


FIG. 2

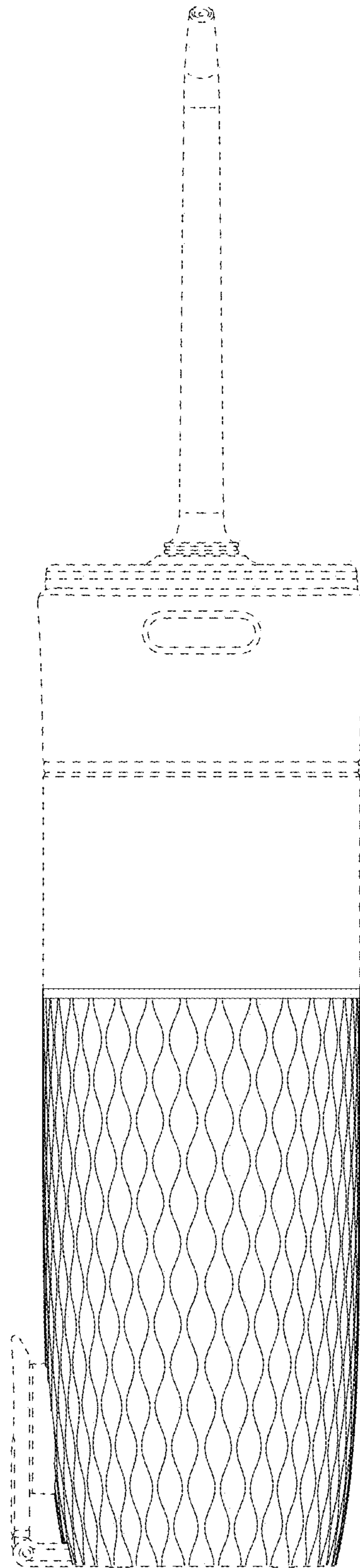


FIG. 3

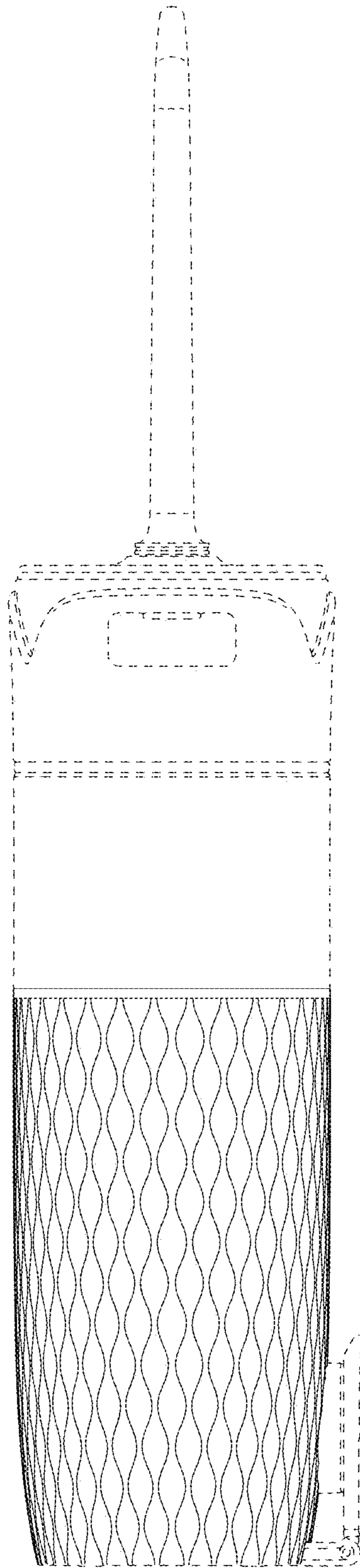


FIG. 4

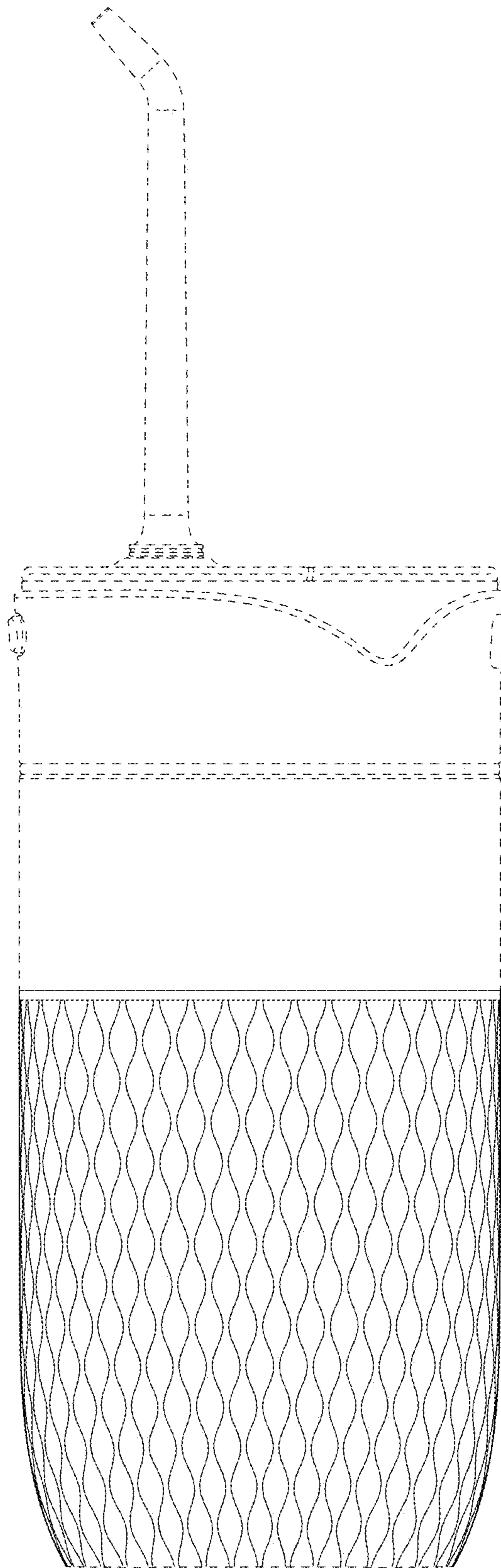


FIG. 5

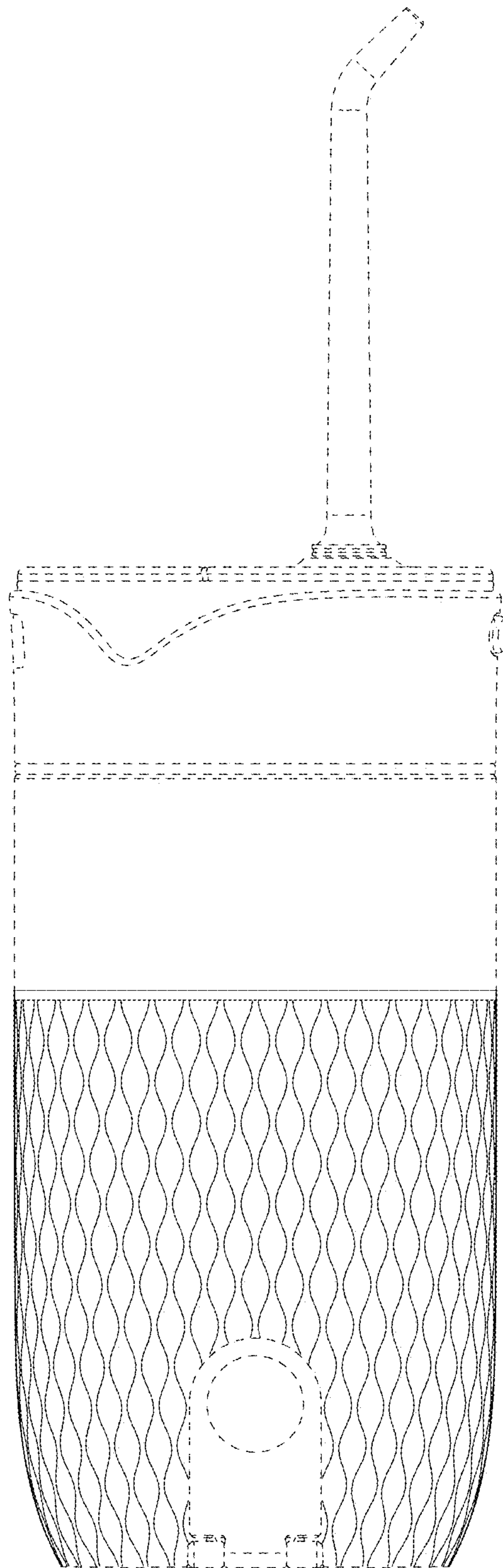


FIG. 6

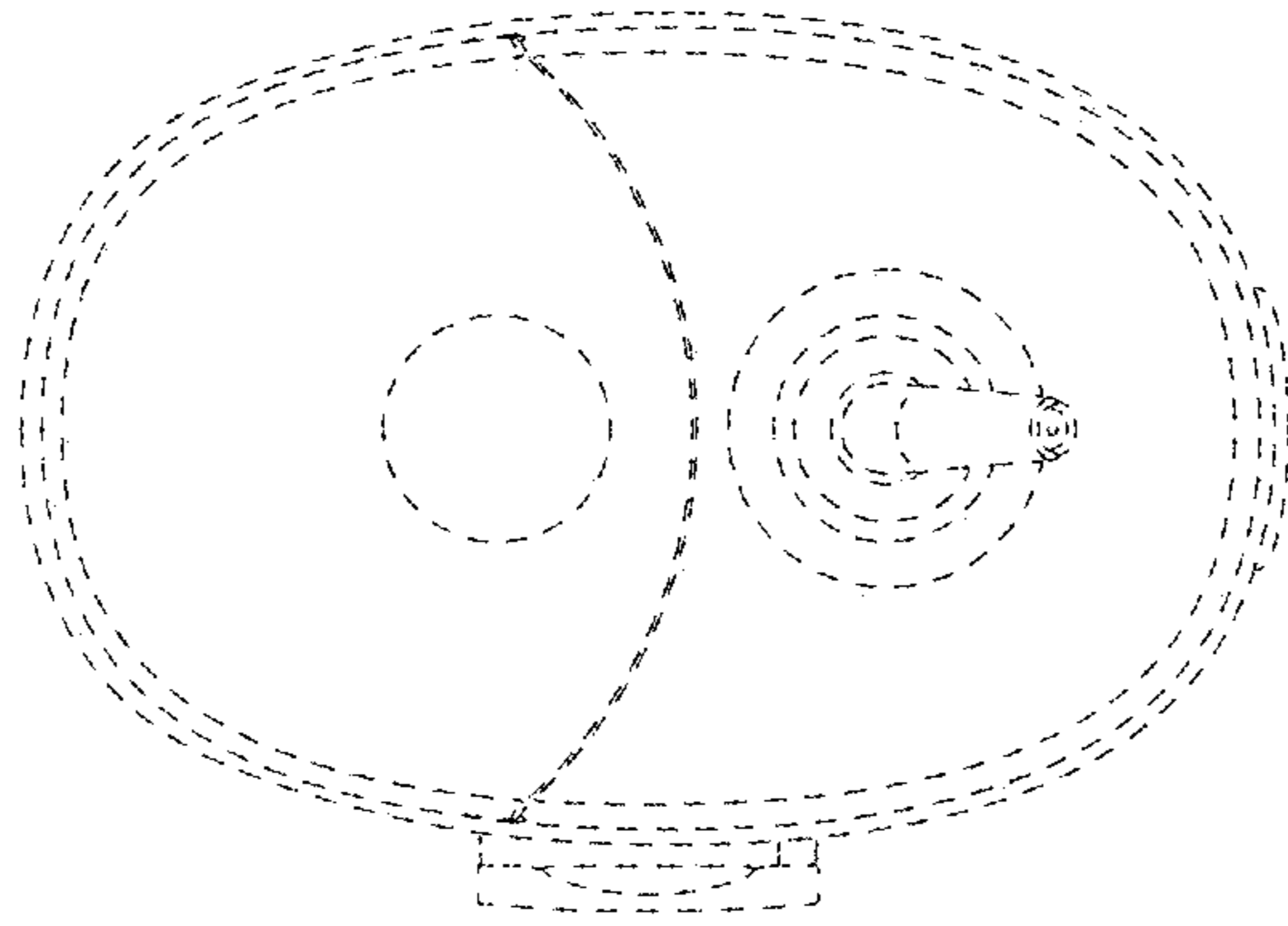


FIG. 7

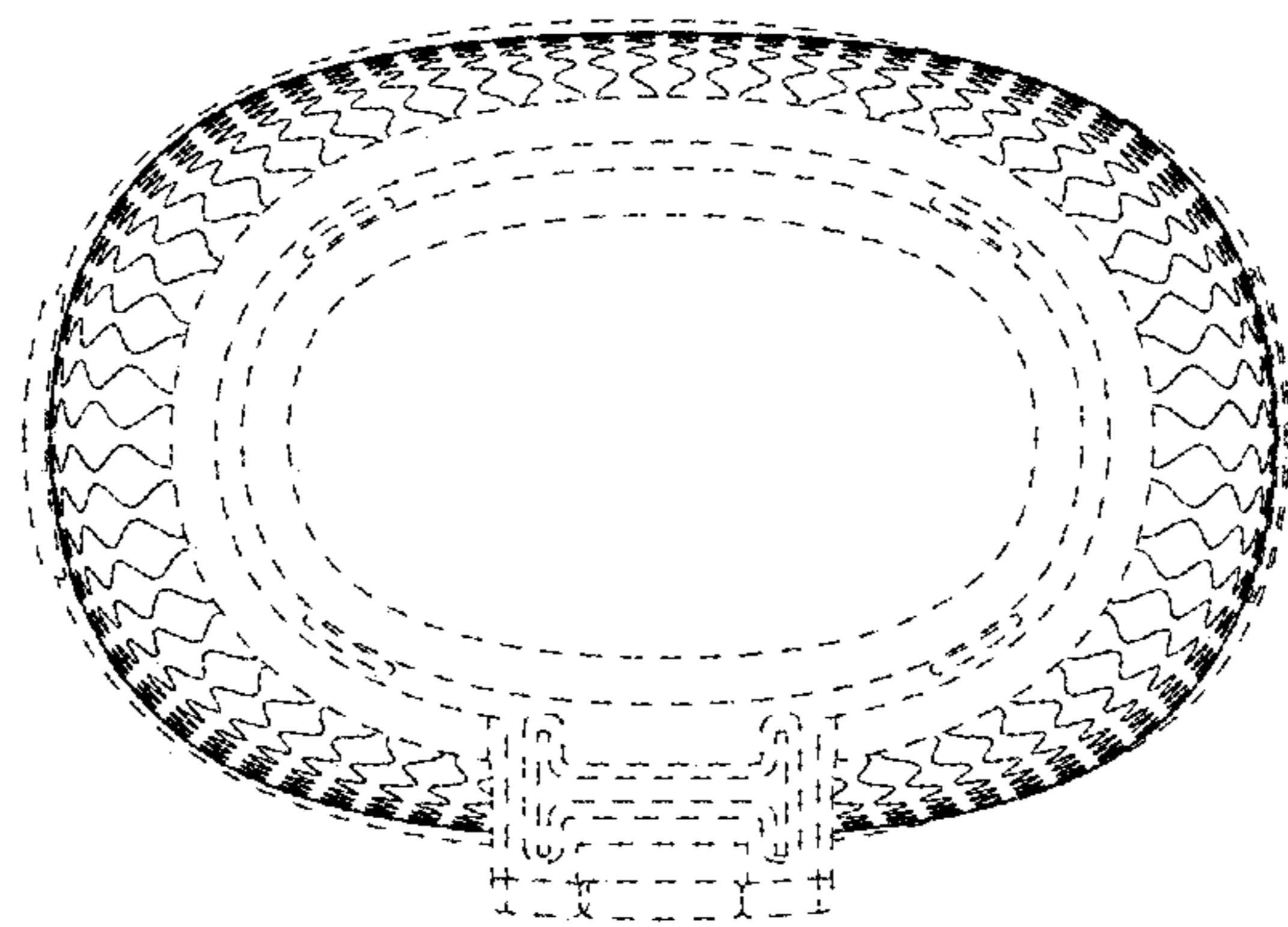


FIG. 8