



US00D953520S

(12) **United States Design Patent** (10) **Patent No.:** **US D953,520 S**  
**Li** (45) **Date of Patent:** **\*\* May 31, 2022**

(54) **ORAL IRRIGATOR**

FOREIGN PATENT DOCUMENTS

(71) Applicant: **SHENZHEN RISUN TECHNOLOGY CO., LTD.**, Shenzhen (CN)

CN 305377843 \* 10/2019  
CN 306067983 \* 9/2020  
CN 306565858 \* 5/2021

(72) Inventor: **Dongbao Li**, Shenzhen (CN)

(Continued)

(73) Assignee: **SHENZHEN RISUN TECHNOLOGY CO., LTD.**, Shenzhen (CN)

OTHER PUBLICATIONS

(\*\*) Term: **15 Years**

Water Dental Flosser for Teeth by Nicwell. Amazon. Oldest review date: Mar. 3, 2021. Retrieval date: Nov. 2, 2021. Retrieved from internet: <https://www.amazon.com/Water-Flosser-Cordless-Teeth-Rechargeable/dp/B08SM447BQ> (Year: 2021).\*

(21) Appl. No.: **29/734,167**

(Continued)

(22) Filed: **May 9, 2020**

(51) **LOC (13) Cl.** ..... **28-03**

*Primary Examiner* — Lilyana Bekic

(52) **U.S. Cl.**  
USPC ..... **D24/111**

*Assistant Examiner* — Lee D. Starr

(58) **Field of Classification Search**

(57) **CLAIM**

USPC ..... D24/111, 108, 112–115, 117, 152, 176;  
D4/101, 102, 110, 111  
CPC ... A61C 15/046; A61C 15/047; A61C 15/048;  
A61C 17/00; A61C 17/005; A61C 17/02;  
A61C 17/0202; A61C 17/0205; A61C  
17/0211; A61C 17/16; A61C 17/22; A61C  
17/222; A61C 17/225; A61C 17/227;  
A61C 17/28; A61C 17/32; A61C 17/34;  
A61C 17/36

The ornamental design for an oral irrigator, as shown and described.

See application file for complete search history.

**DESCRIPTION**

(56) **References Cited**

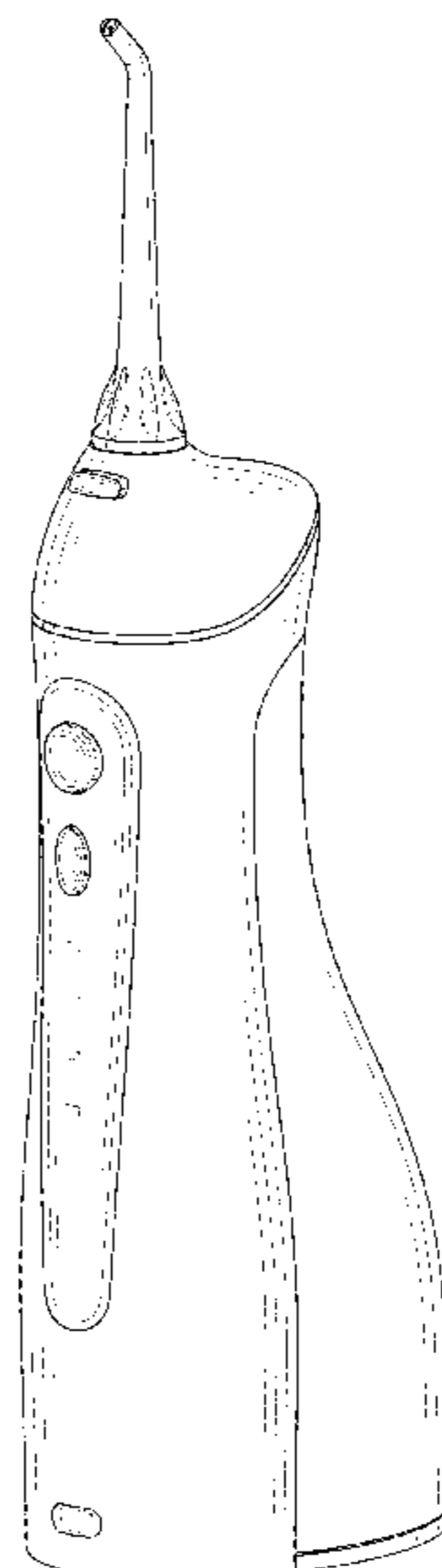
FIG. 1 is a perspective view of an oral irrigator showing my new design;  
FIG. 2 is another perspective view thereof;  
FIG. 3 is a front elevational view thereof;  
FIG. 4 is a rear elevational view thereof;  
FIG. 5 is a left side elevational view thereof;  
FIG. 6 is a right side elevational view thereof;  
FIG. 7 is a top plan view thereof;  
FIG. 8 is a bottom plan view thereof; and,  
FIG. 9 is an enlarged view of portion 9 shown in FIG. 2.  
The dashed broken lines in the drawings depict portions of the oral irrigator that form no part of the claimed design. The short dash-long dash broken lines in FIGS. 2 and 9 depict the bounds of the enlargement and form no part of the claimed design.

U.S. PATENT DOCUMENTS

D548,334 S \* 8/2007 Izumi ..... D24/111  
D772,396 S \* 11/2016 Kim ..... D24/111  
D778,433 S \* 2/2017 Li ..... D24/111  
D804,016 S \* 11/2017 Ladwig ..... D24/111  
D806,228 S \* 12/2017 Yan ..... D24/111  
D815,274 S \* 4/2018 Ladwig ..... D24/111  
D819,196 S \* 5/2018 Kim ..... D24/111  
D888,935 S \* 6/2020 Fang ..... D24/111  
D914,198 S \* 3/2021 Li ..... D24/111

(Continued)

**1 Claim, 9 Drawing Sheets**



(56)

**References Cited**

U.S. PATENT DOCUMENTS

2008/0008979 A1\* 1/2008 Thomas ..... A61C 17/0205  
433/80  
2016/0151133 A1\* 6/2016 Luetngen ..... A61C 17/0202  
433/80

FOREIGN PATENT DOCUMENTS

GB 9008006944-0001 \* 6/2020  
GB 9008006944-0002 \* 6/2020  
JP D1591888 \* 11/2017

OTHER PUBLICATIONS

Cordless Oral Irrigator Model No. F5025. Risuntech.cn. Retrieval date: Nov. 2, 2021. Retrieved from internet: <https://www.risuntech.cn/products/f5025-cordless-oral-irrigator> (Year: 2021).\*

Cordless Oral Irrigator Model No. F5025A. Risuntech.cn. Retrieval date: Nov. 2, 2021. Retrieved from internet: <https://www.risuntech.cn/products/f5025a-cordless-oral-irrigator> (Year: 2021).\*

\* cited by examiner

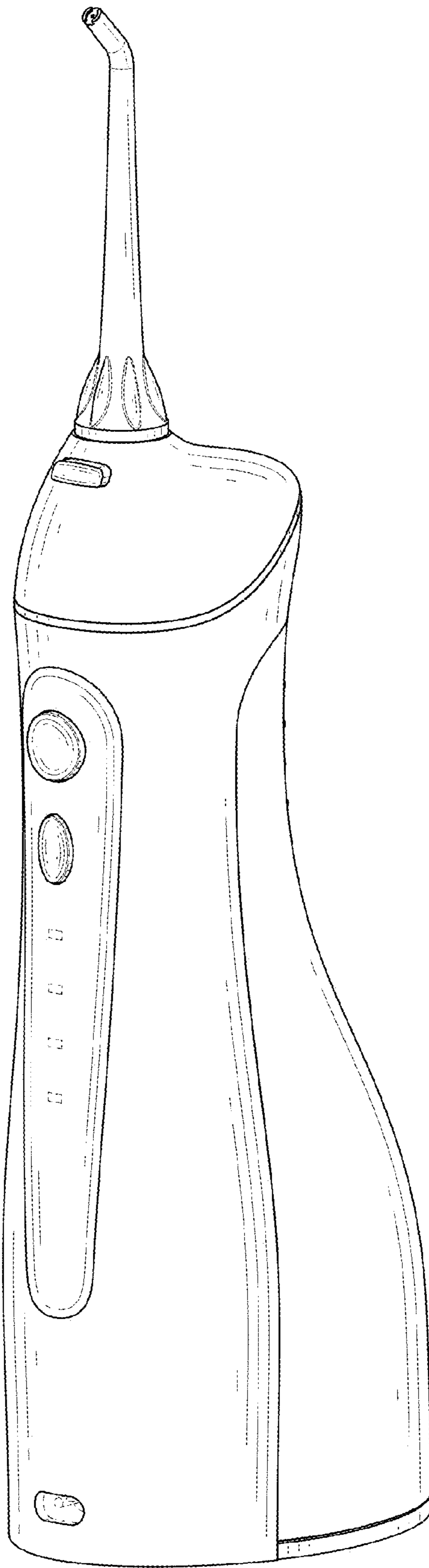


FIG. 1

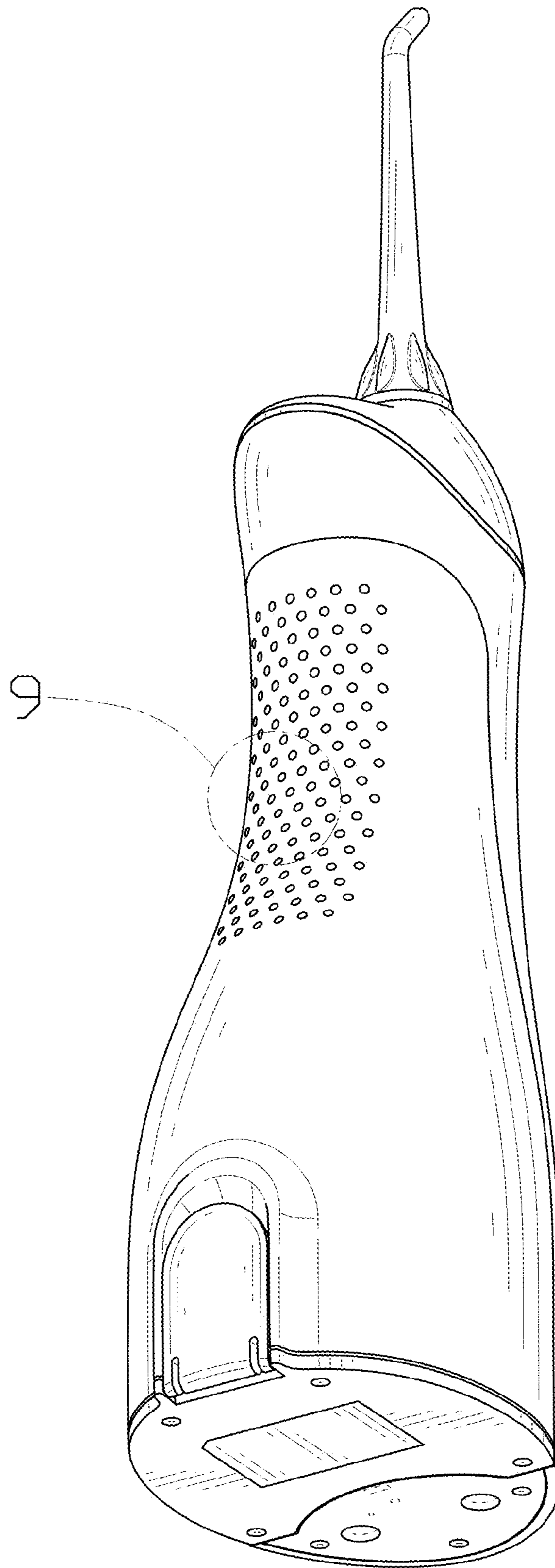


FIG. 2

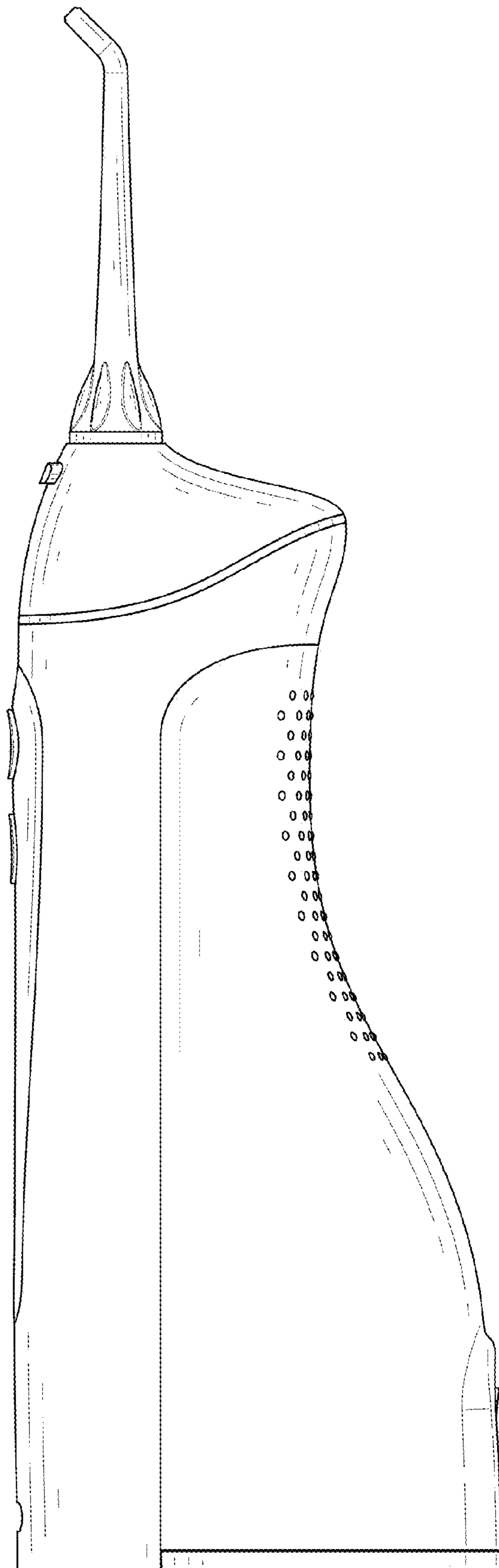


FIG. 3

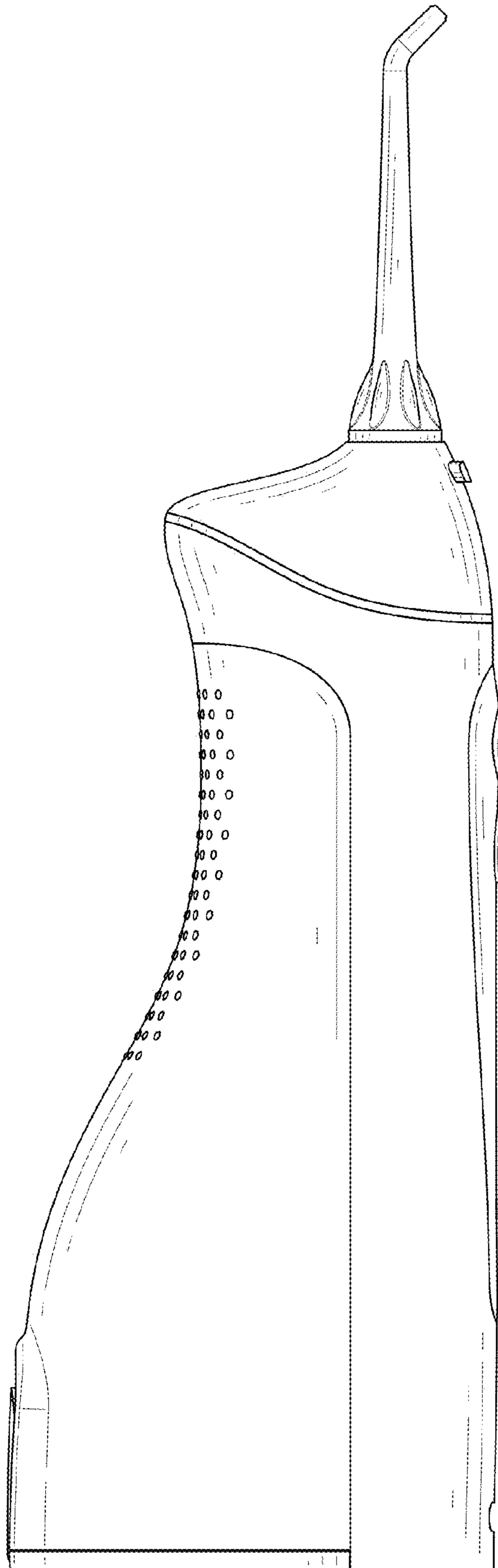


FIG. 4

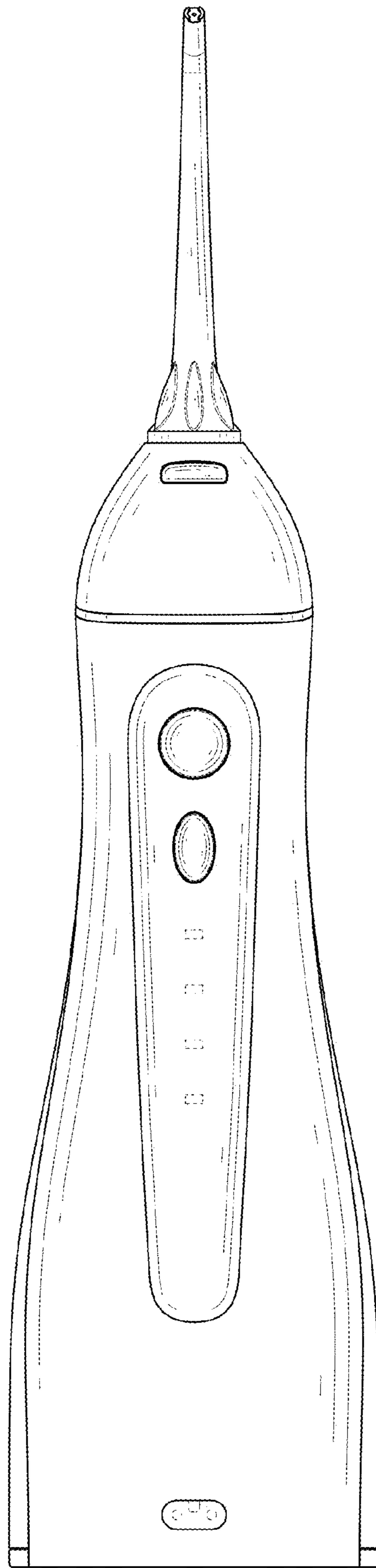


FIG. 5

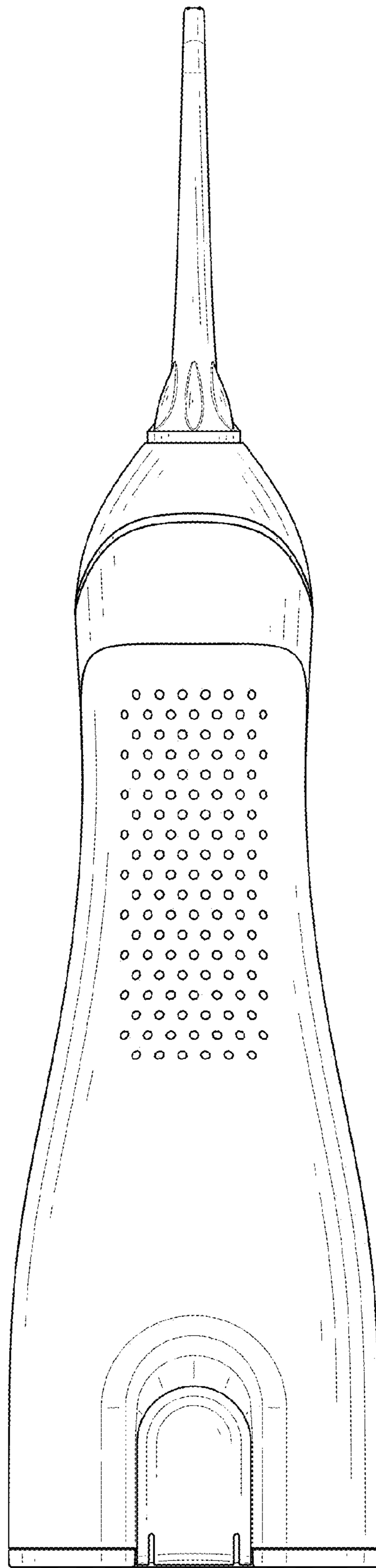


FIG. 6



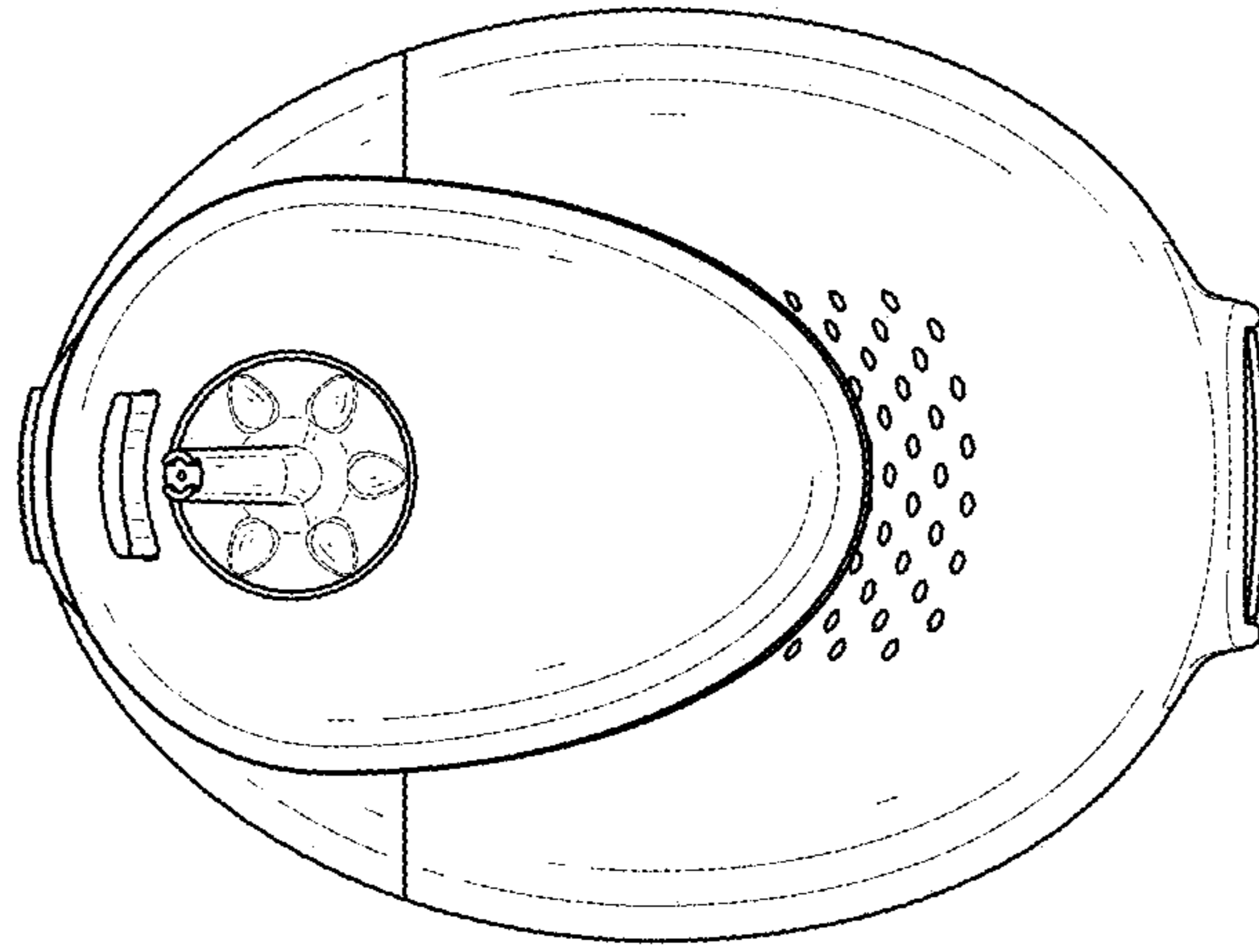


FIG. 7

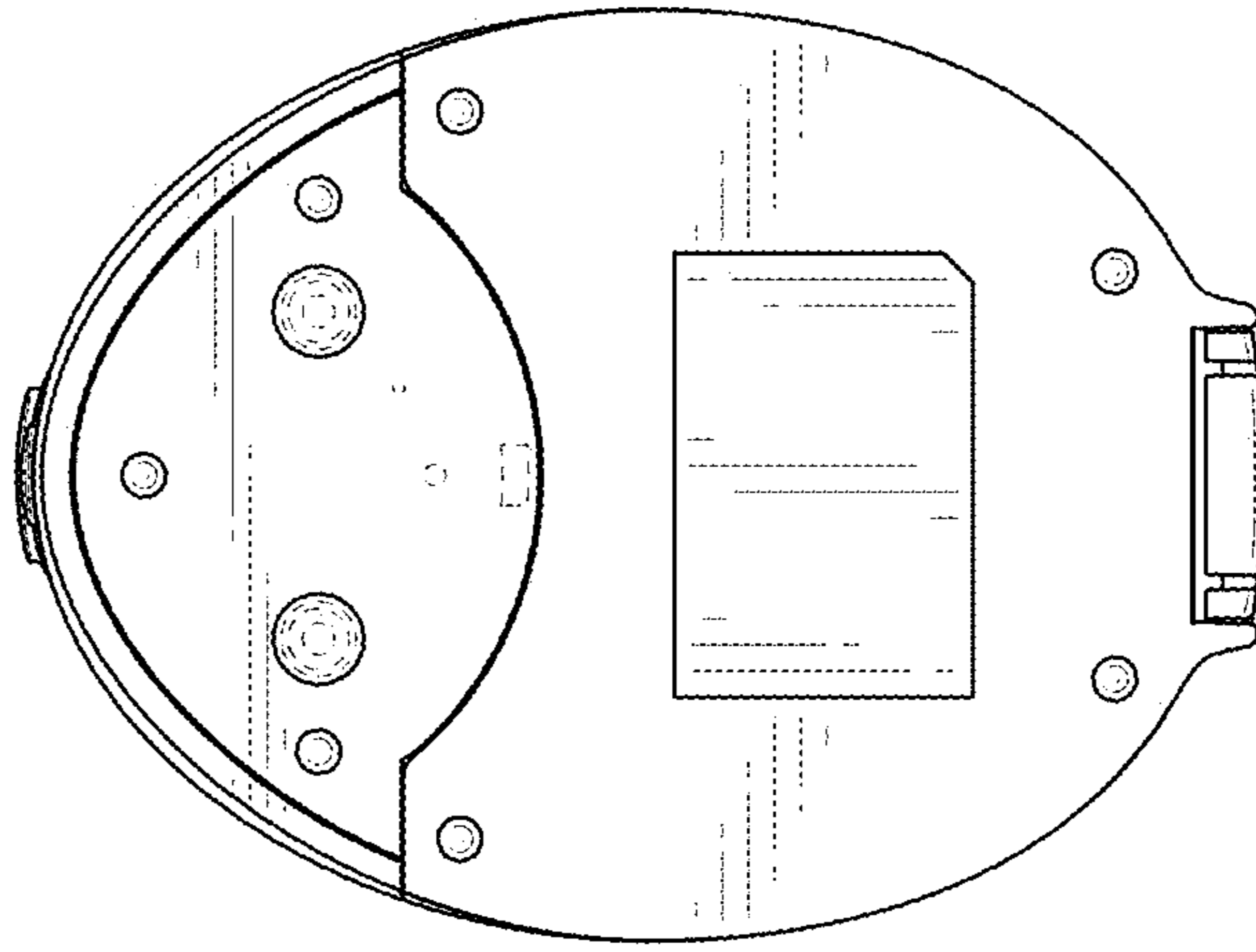


FIG. 8

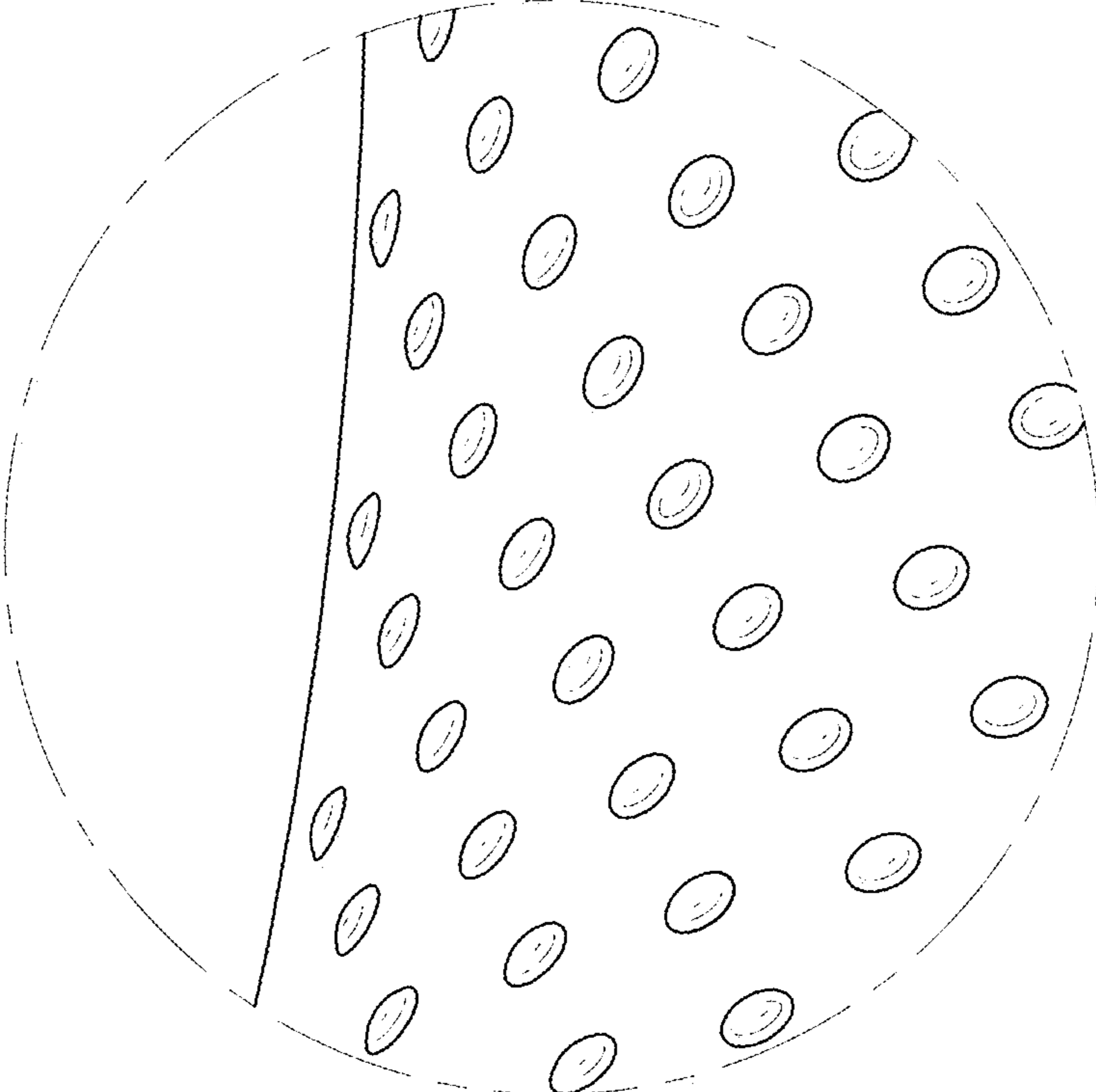


FIG. 9