



US00D953519S

(12) **United States Design Patent** (10) **Patent No.:** **US D953,519 S**  
**Um** (45) **Date of Patent:** **\*\* May 31, 2022**

(54) **SNORKEL MASK**

(71) Applicant: **CHERISH CO., LTD.**, Seoul (KR)

(72) Inventor: **Taehyun Um**, Seoul (KR)

(\*\*) Term: **15 Years**

(21) Appl. No.: **29/733,150**

(22) Filed: **Apr. 30, 2020**

(51) **LOC (13) Cl.** ..... **29-02**

(52) **U.S. Cl.**  
USPC ..... **D24/110.2; D24/110.4**

(58) **Field of Classification Search**  
USPC ..... D24/110, 110.1–110.5, 127, 129;  
D29/102, 106–108, 110; D21/803, 804  
CPC ..... B63C 11/12; B63C 11/16; B63C 11/186;  
B63C 11/205  
See application file for complete search history.

(56) **References Cited**

**U.S. PATENT DOCUMENTS**

D775,722 S *	1/2017	Caprice	.....	D24/110.2
D851,751 S *	6/2019	Thomas	.....	D24/110.2
D860,436 S *	9/2019	Chen	.....	D24/110.2
D871,570 S *	12/2019	Pang	.....	D24/110.2
D930,818 S *	9/2021	Lin	.....	D24/110.2
2018/0134352 A1 *	5/2018	Armani	.....	B63C 11/26
2018/0319471 A1 *	11/2018	Thomas	.....	B63C 11/205
2019/0039702 A1 *	2/2019	Gamberini	.....	B63C 11/26

**FOREIGN PATENT DOCUMENTS**

KR 301084831.0000 \* 11/2020

**OTHER PUBLICATIONS**

Wildhorn Outfitters Seaview 180 V2 Full Face Snorkel Mask. Amazon. Oldest review date: Feb. 19, 2019. Retrieval date: Dec. 16, 2021. Retrieved from internet: <https://www.amazon.com/dp/B07F23BXY3/> (Year: 2019).\*

\* cited by examiner

*Primary Examiner* — Lilyana Bekic  
*Assistant Examiner* — Lee D. Starr

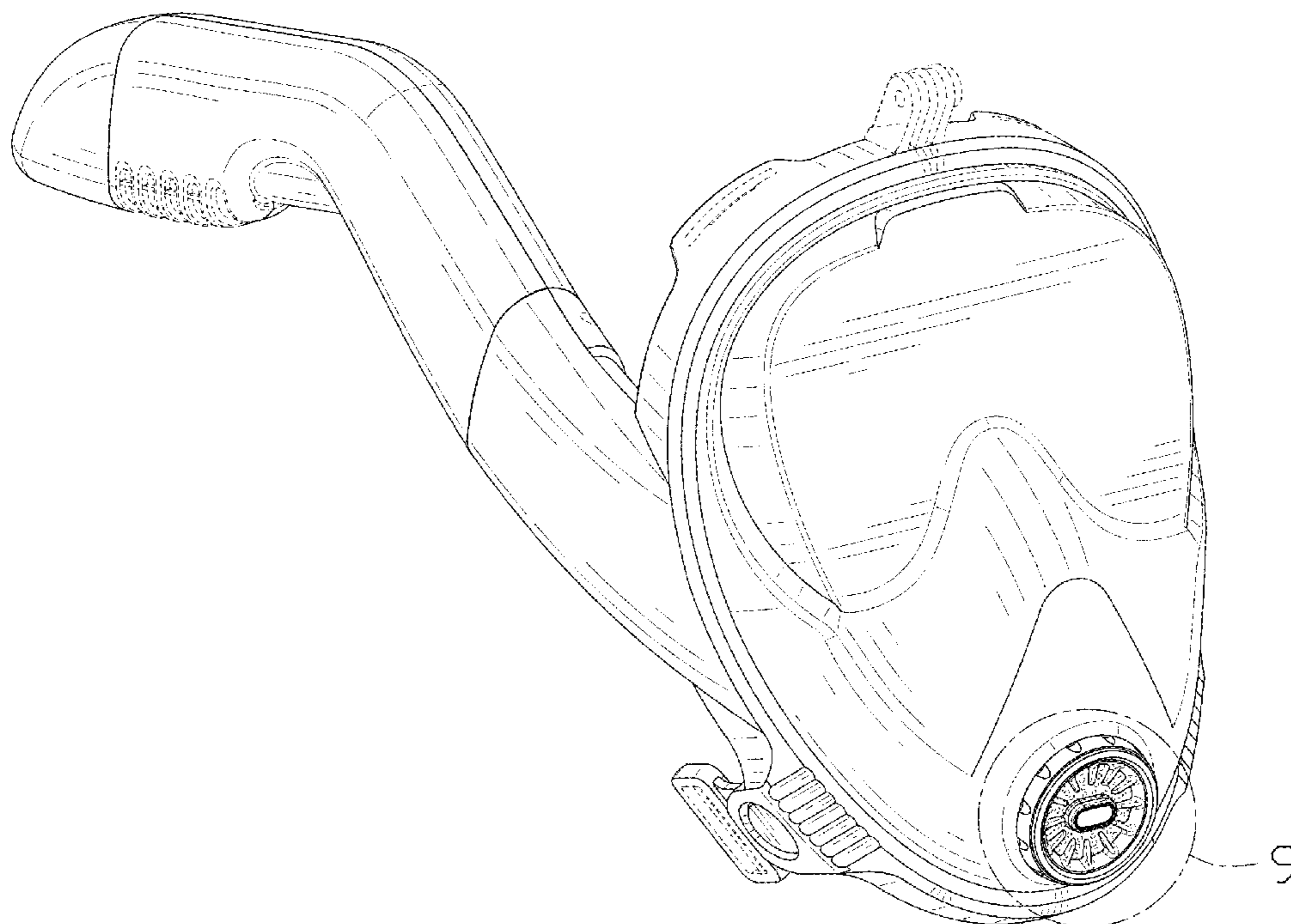
(57) **CLAIM**

The ornamental design for a snorkel mask, as shown and described.

**DESCRIPTION**

FIG. 1 is a first perspective view of a snorkel mask showing my new design;  
FIG. 2 is a second perspective view thereof;  
FIG. 3 is a front view thereof;  
FIG. 4 is a back view thereof;  
FIG. 5 is a left side view thereof;  
FIG. 6 is a right side view thereof;  
FIG. 7 is a top view thereof;  
FIG. 8 is a bottom view thereof;  
FIG. 9 is an enlarged view of the encircled portion of FIG. 1; and,  
FIG. 10 is an enlarged view of the encircled portion of FIG. 3.  
The broken lines shown in the drawings depict portions of the snorkel mask in which the design is embodied that form no part of the claimed design. The dash-dot broken line circles in FIGS. 1, 3, 9, and 10 define the bounds of the enlargements and form no part of the claimed design.

**1 Claim, 10 Drawing Sheets**



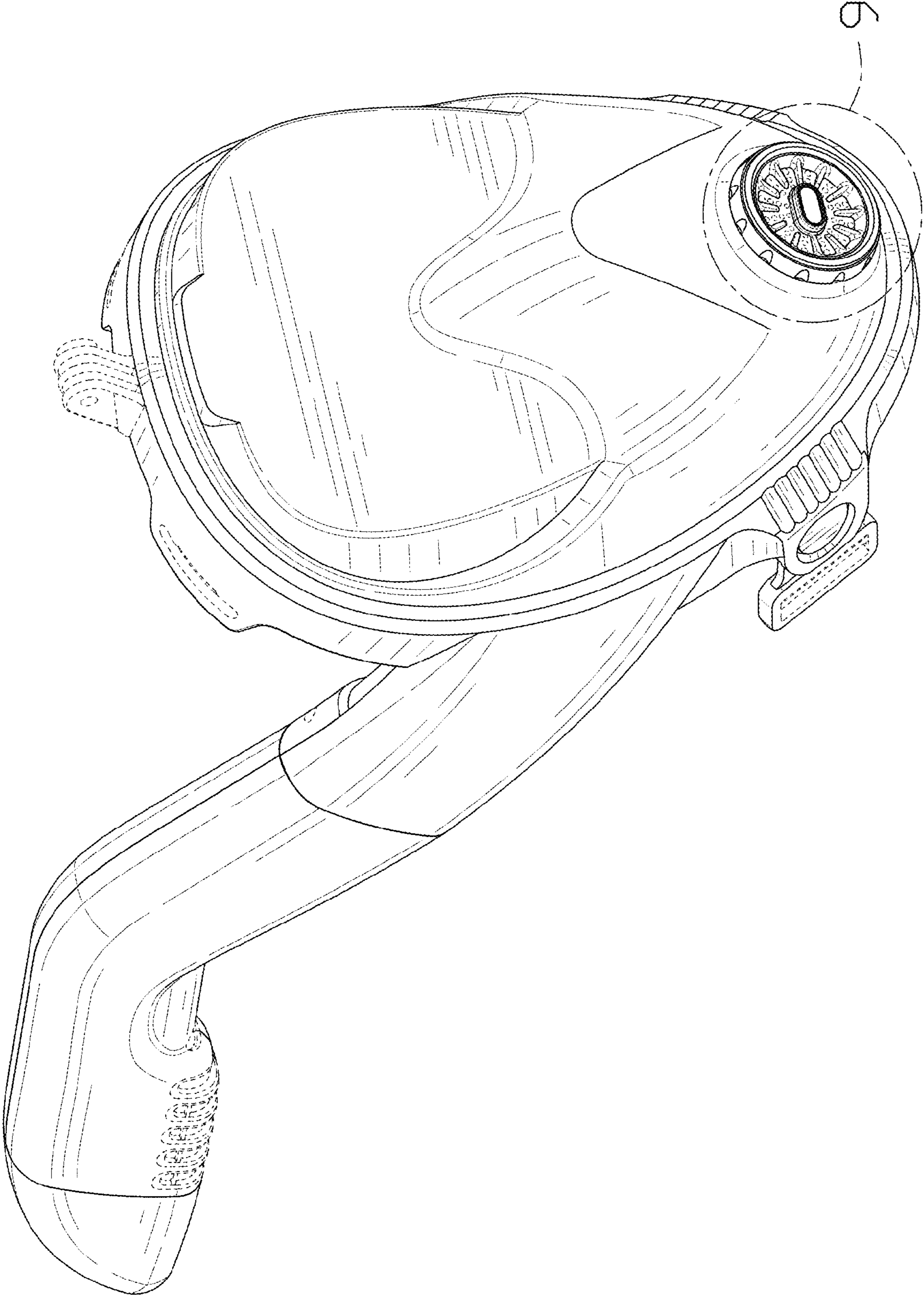


FIG. 1



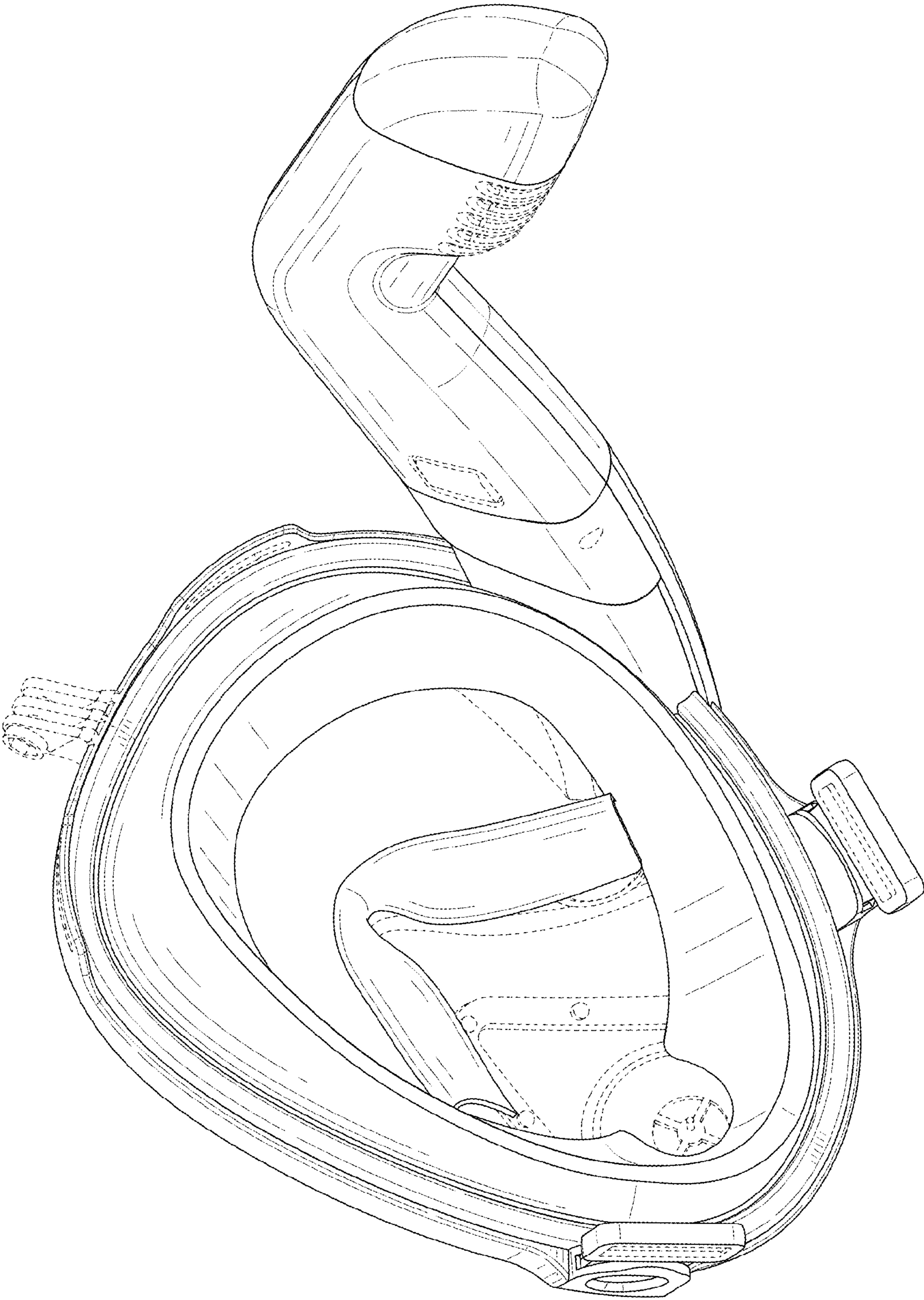


FIG. 2

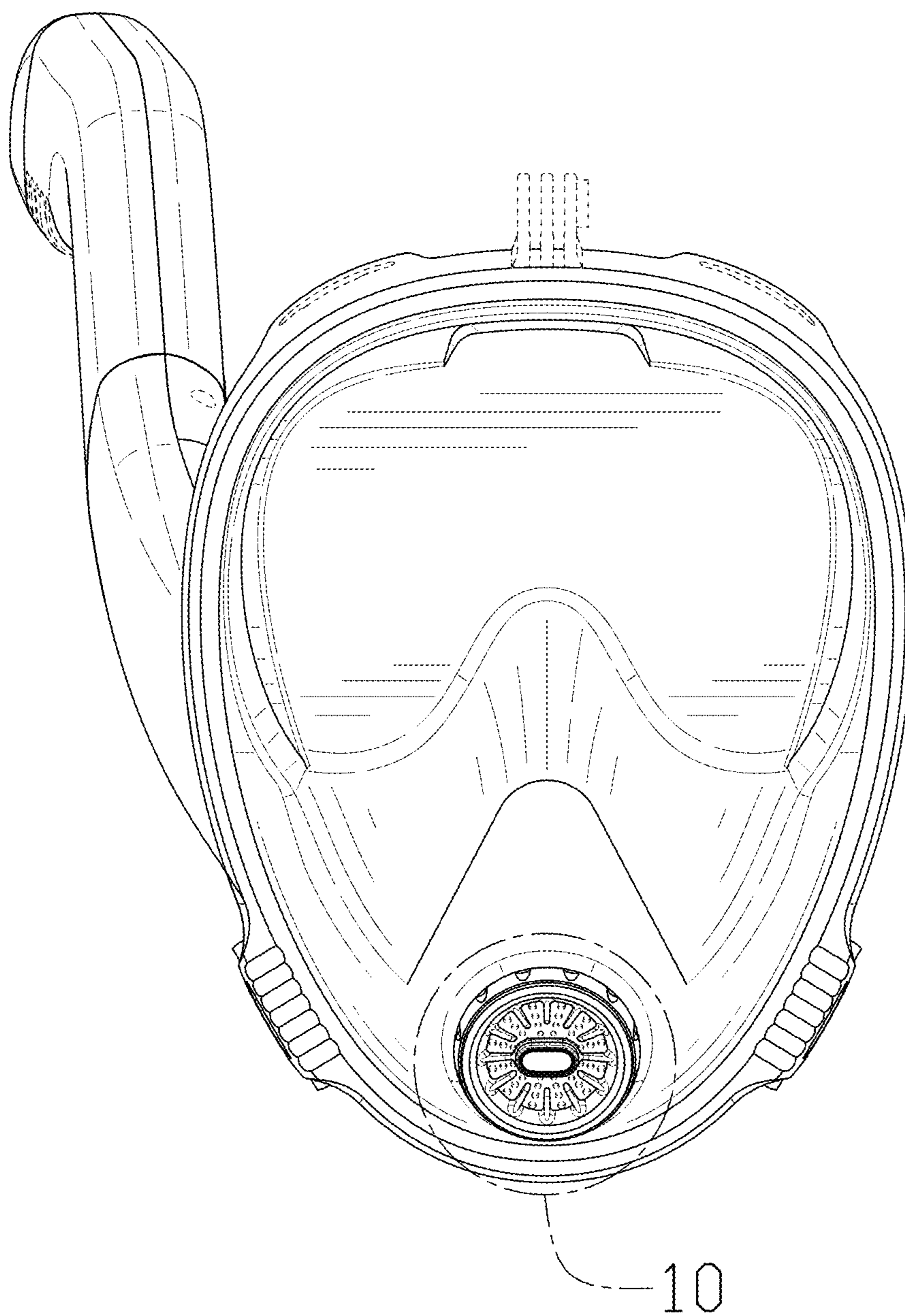


FIG. 3

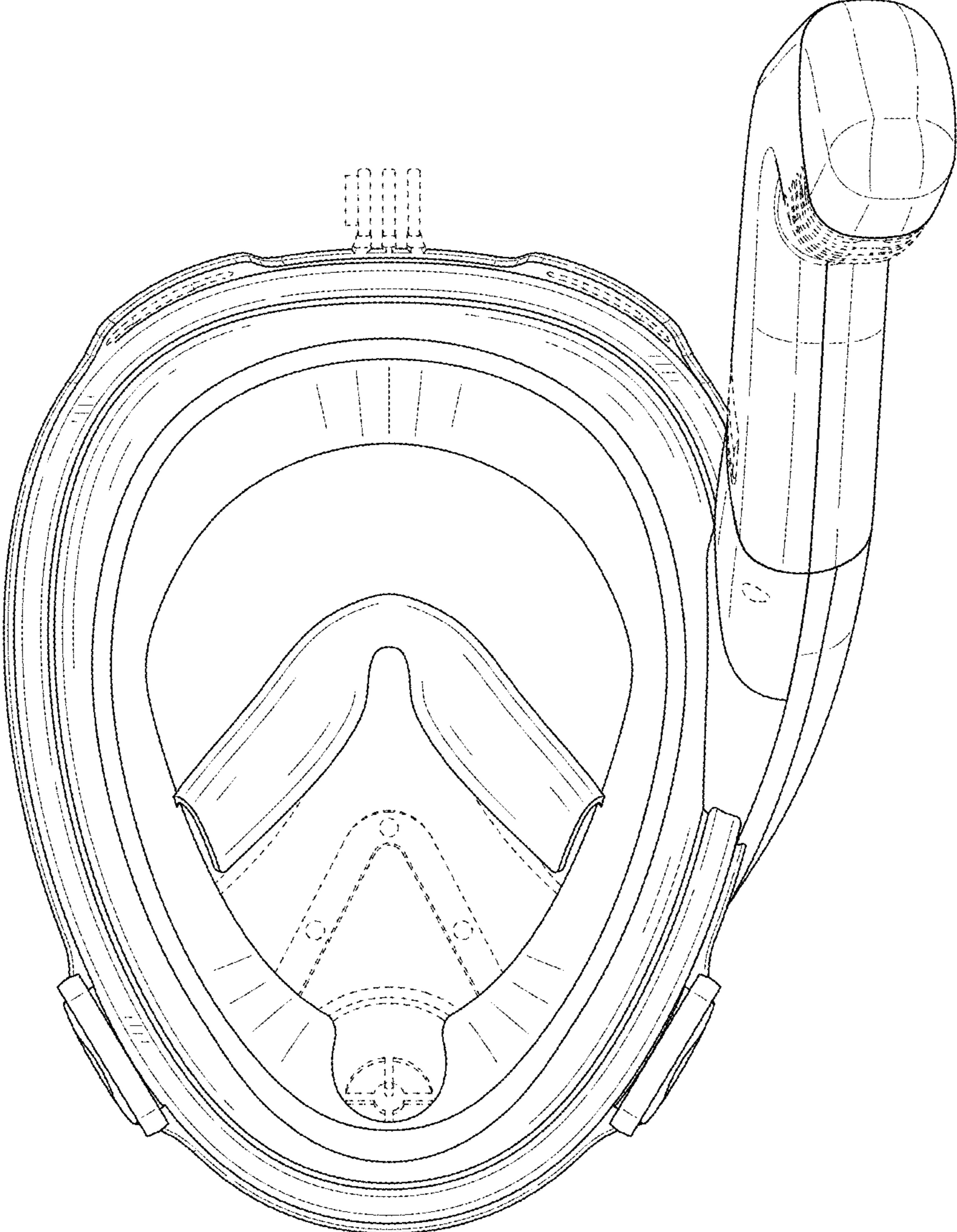


FIG. 4



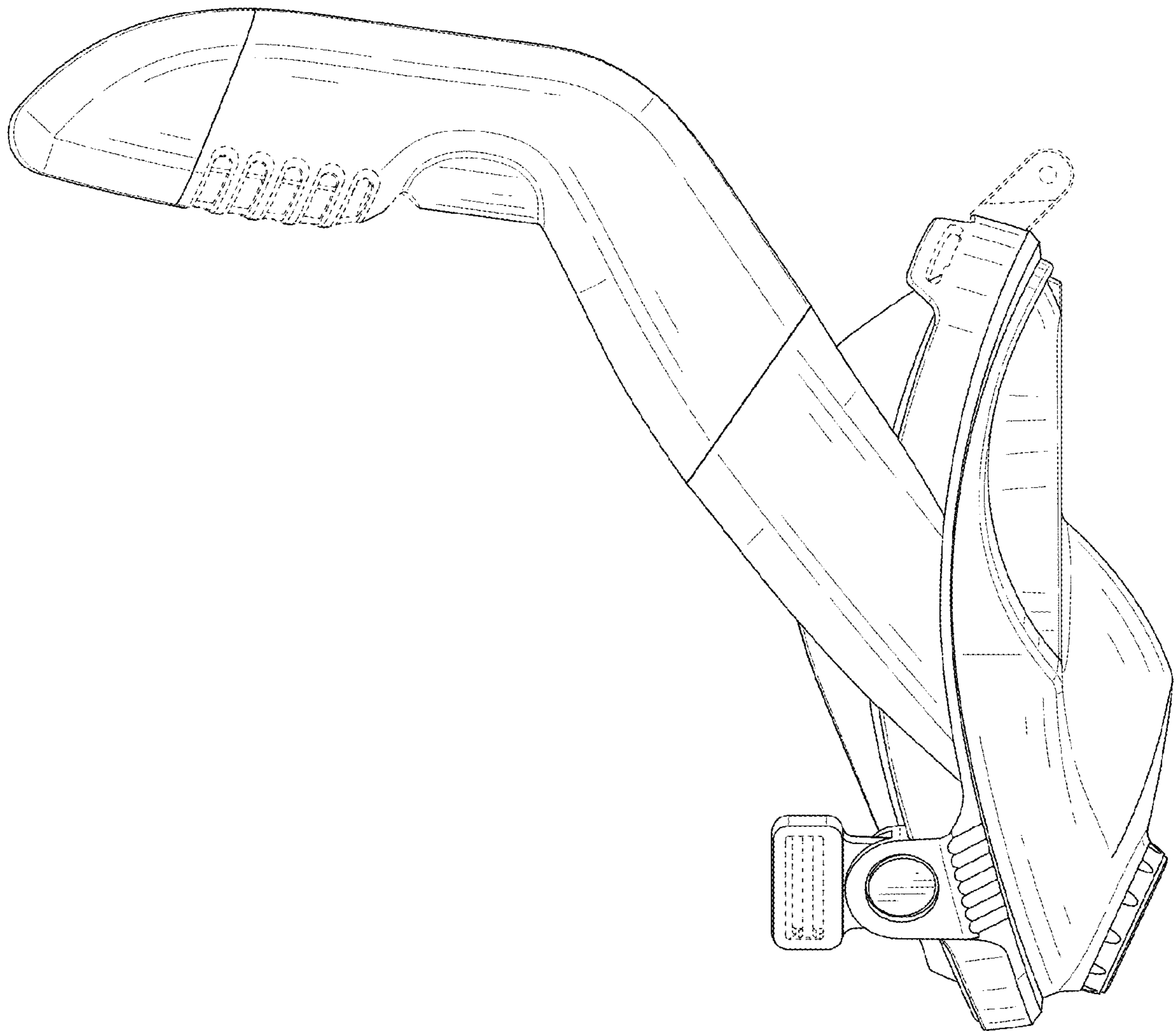


FIG. 5

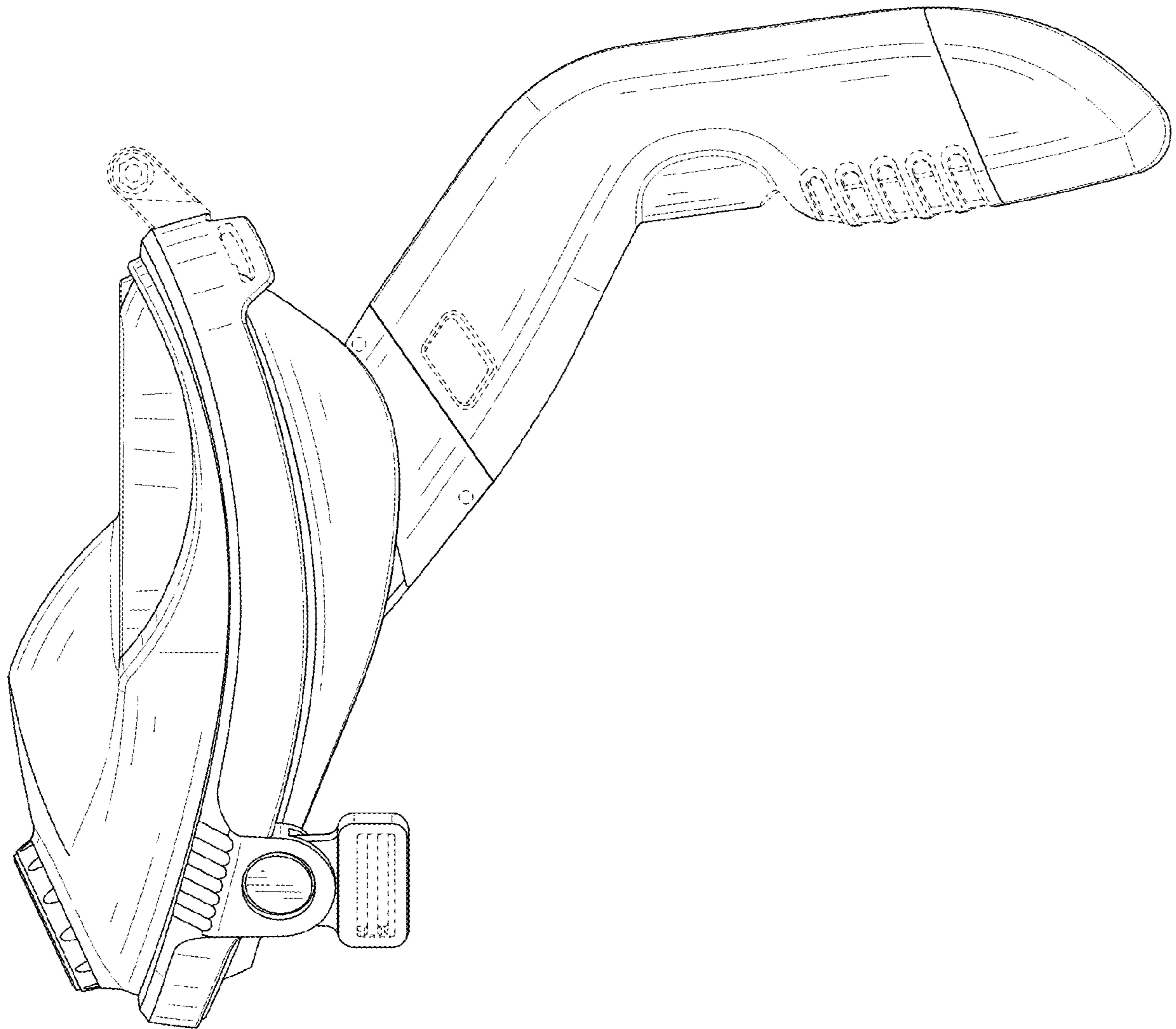


FIG. 6

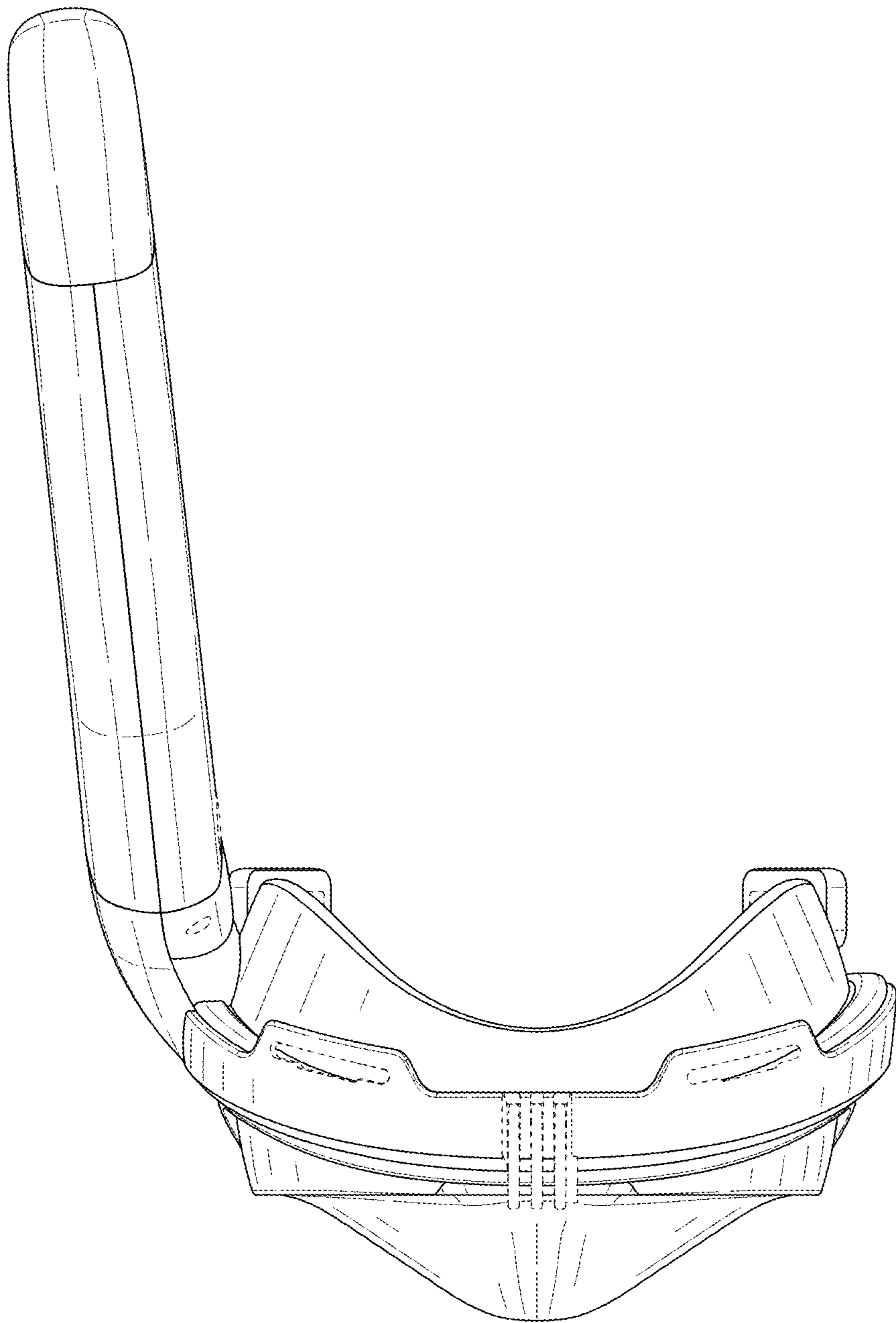


FIG. 7



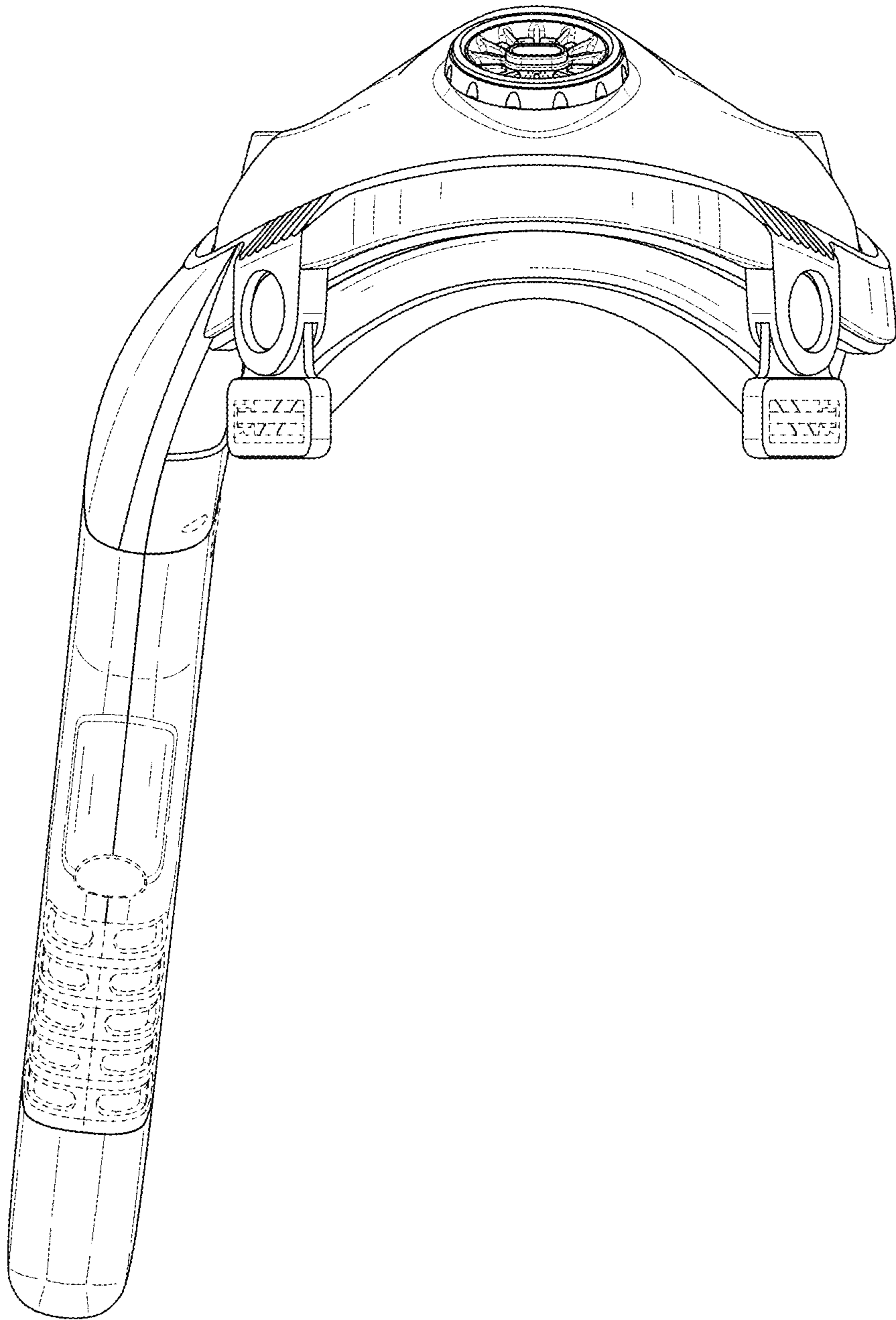


FIG. 8

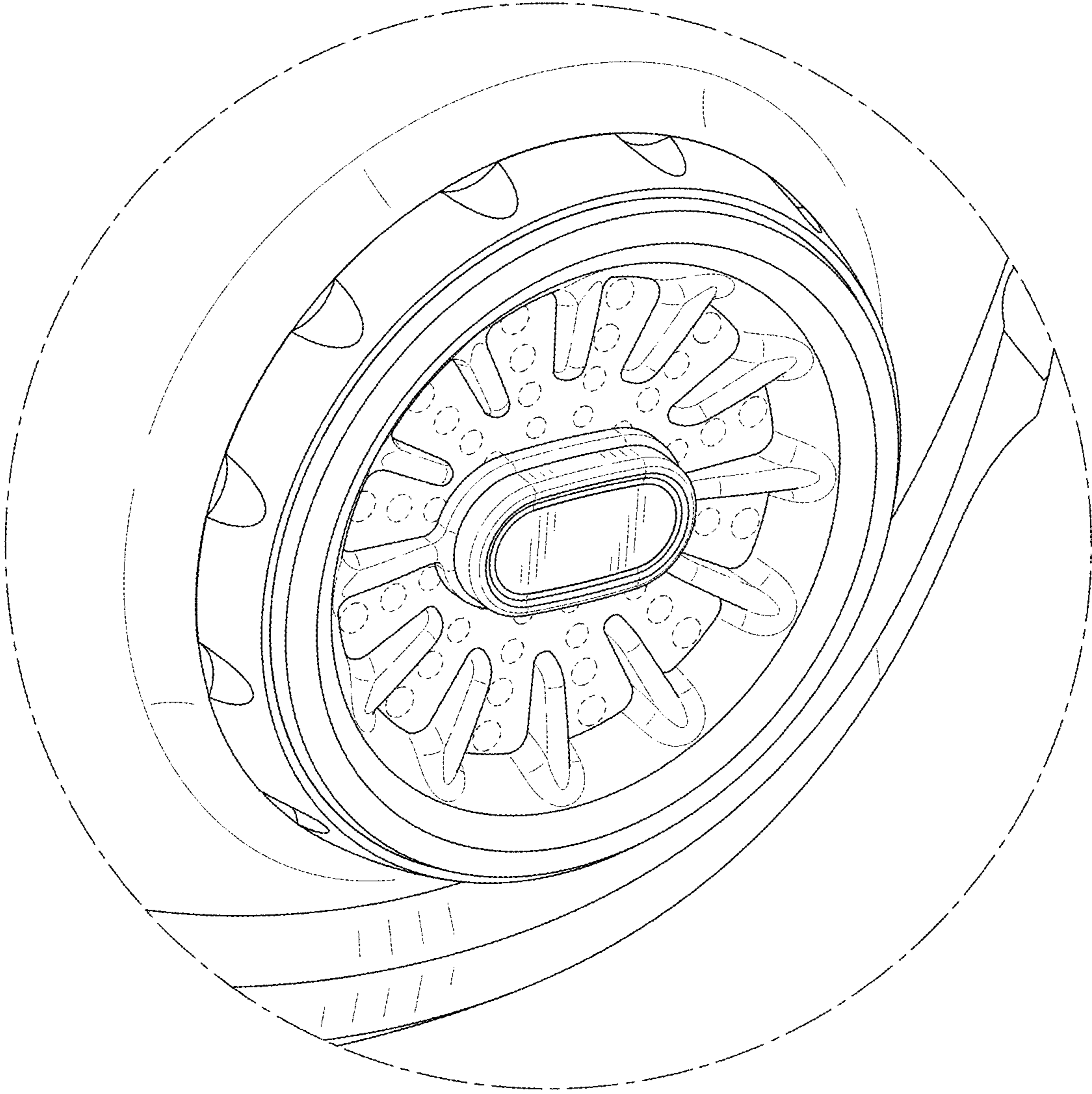


FIG. 9

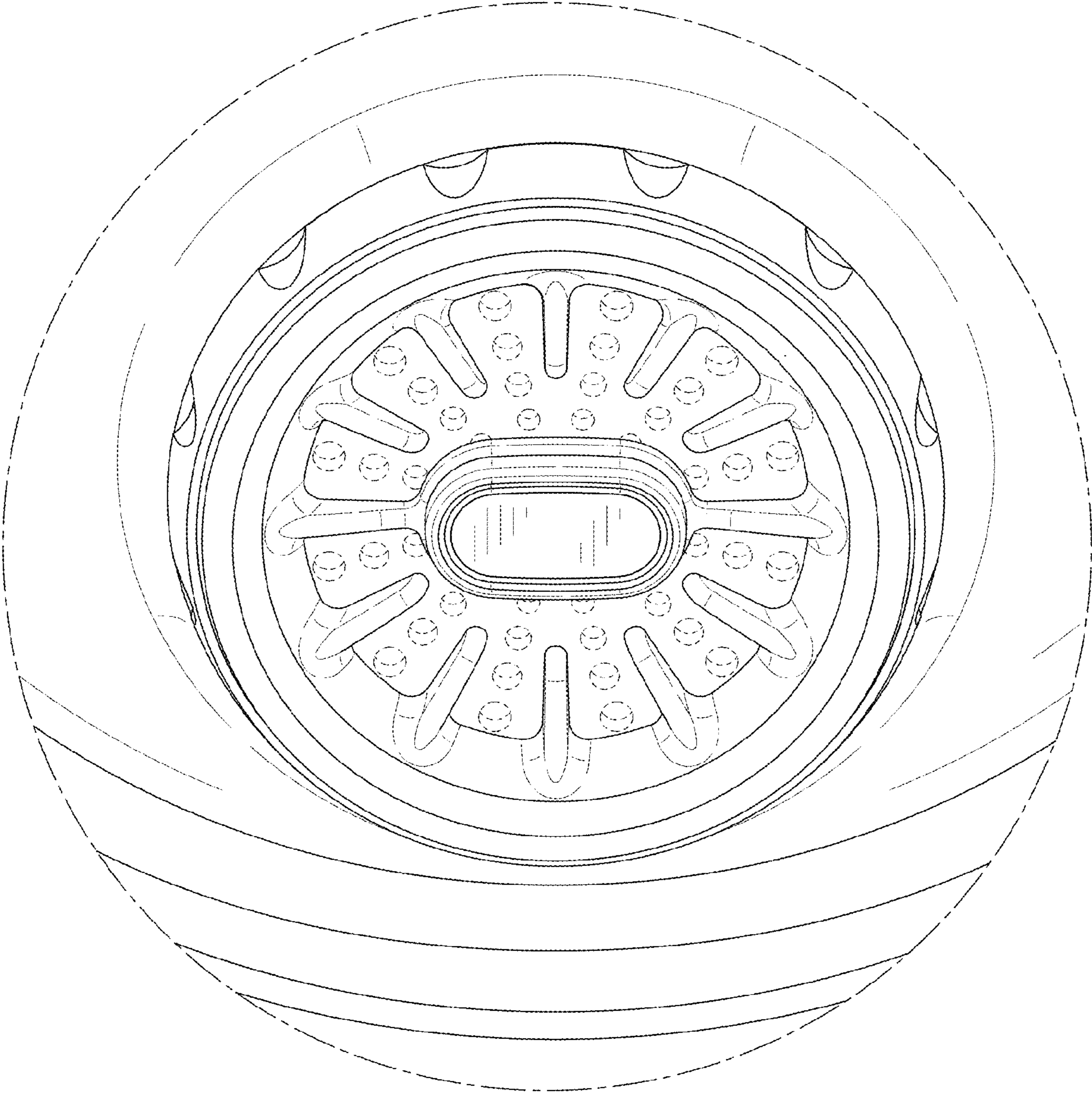


FIG. 10