



US00D953518S

(12) **United States Design Patent**  
**Xia**

(10) **Patent No.:** **US D953,518 S**

(45) **Date of Patent:** **\*\* May 31, 2022**

- (54) **PORTABLE MESH NEBULIZER**
- (71) Applicant: **SHENZHEN IMDK MEDICAL TECHNOLOGY CO., LTD**, Shenzhen (CN)
- (72) Inventor: **Changchun Xia**, Wenzhou (CN)
- (73) Assignee: **SHENZHEN IMDK MEDICAL TECHNOLOGY CO., LTD**, Shenzhen (CN)

6,575,160 B1 \* 6/2003 Volgyesi ..... A61M 15/0045  
128/203.15  
D609,331 S \* 2/2010 Paterson ..... D24/109  
D618,337 S \* 6/2010 Pratt ..... D24/111  
D753,282 S \* 4/2016 Lee ..... D24/100  
D757,245 S \* 5/2016 Lee ..... D24/110  
D799,024 S \* 10/2017 Gilbert ..... D24/109  
D827,809 S \* 9/2018 Mitchell ..... D24/110  
D886,278 S \* 6/2020 Lin ..... A61H 35/02  
D24/110

(Continued)

- (\*\*) Term: **15 Years**
- (21) Appl. No.: **29/739,429**
- (22) Filed: **Jun. 25, 2020**

(30) **Foreign Application Priority Data**

May 20, 2020 (CN) ..... 202030235483.X

(51) **LOC (13) Cl.** ..... **29-02**

(52) **U.S. Cl.**  
USPC ..... **D24/110**

(58) **Field of Classification Search**  
USPC ..... D24/108, 110, 110.5, 111, 127, 164;  
D23/356, 360  
CPC .... A61M 11/005; A61M 11/00; A61M 11/02;  
A61M 11/08; A61M 15/0085; A61M  
15/00; A61M 15/0001; A61M 15/001;  
A61M 15/0021; A61M 15/0023; A61M  
16/14

See application file for complete search history.

(56) **References Cited**

**U.S. PATENT DOCUMENTS**

3,200,817 A \* 8/1965 Brainard ..... A61H 35/02  
128/200.14  
D242,956 S \* 1/1977 Miller ..... D24/110  
6,041,776 A \* 3/2000 Briggs, III ..... A61M 11/06  
128/200.14

**OTHER PUBLICATIONS**

[The Best Mesh Nebulizer Machine!], available on truneb.com, Date 2022 [online], [site visited Jan. 11, 2022], Internet URL: <<https://truneb.com/product/truneb-portable-mesh-nebulizer/>>. (Year: 2022).\*

(Continued)

*Primary Examiner* — Jonathan J Han  
*Assistant Examiner* — Amanda J Berlinski  
(74) *Attorney, Agent, or Firm* — Li & Cai Intellectual Property (USA) Office

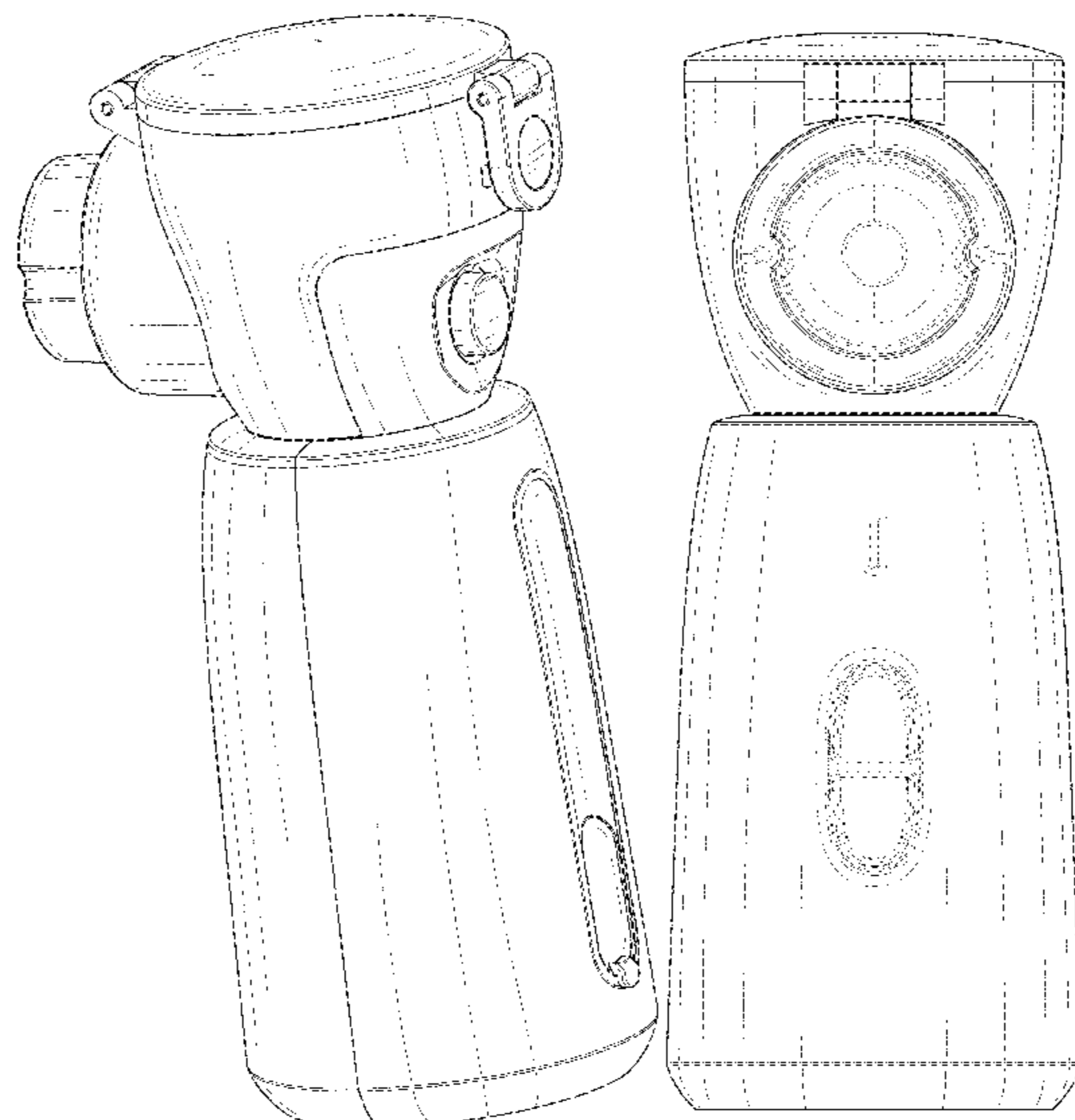
(57) **CLAIM**

The ornamental design for a portable mesh nebulizer, as shown and described.

**DESCRIPTION**

FIG. 1 is a top, right side and rear perspective view of a portable mesh nebulizer showing my new design; FIG. 2 is a front elevational view thereof; FIG. 3 is a rear elevational view thereof; FIG. 4 is a left side elevational view thereof; FIG. 5 is a right side elevational view thereof; FIG. 6 is a top plan view thereof; and, FIG. 7 is a bottom plan view thereof. The broken lines in the drawing depict portions of the portable mesh nebulizer that form no part of the claimed design.

**1 Claim, 7 Drawing Sheets**



(56)

**References Cited**

U.S. PATENT DOCUMENTS

D888,933 S \* 6/2020 Jung ..... A61M 11/005  
D24/110  
D893,703 S \* 8/2020 Bogan ..... A61M 11/06  
D24/110  
D900,304 S \* 10/2020 Xia ..... A61M 15/0045  
D24/110  
D910,824 S \* 2/2021 Zhao ..... A61M 15/0085  
D23/360  
D928,934 S \* 8/2021 Lin ..... A61M 11/06  
D24/110  
D928,935 S \* 8/2021 Li ..... B05B 17/0638  
D24/110  
D932,003 S \* 9/2021 Zhang ..... A61M 15/0085  
D24/109  
D935,586 S \* 11/2021 Sun ..... D23/356  
D936,196 S \* 11/2021 Xu ..... D23/356  
2011/0303218 A1 \* 12/2011 Yadidi ..... A61M 11/005  
128/200.14  
2017/0291186 A1 \* 10/2017 Lee ..... A61M 15/0085  
2019/0054258 A1 \* 2/2019 Koike ..... B05B 17/0638  
2019/0192790 A1 \* 6/2019 Toddywala ..... A61M 11/06  
2019/0231991 A1 \* 8/2019 Tsai ..... A61M 15/0085  
2019/0351155 A1 \* 11/2019 Montagnino ..... A61F 7/0085

OTHER PUBLICATIONS

[Handheld Mini Nebulizers Speed Adjustable Respirator Ultrasonic Atomizer Portable Mesh Nebulizer], available on globalsources.com, Date 2022[online], [site visited Jan. 11, 2022], Internet URL: <<https://www.globalsources.com/Ultrasonic-nebulizer/Mesh-Nebulizer-1183643651p.htm>>. (Year: 2022).\*

\* cited by examiner

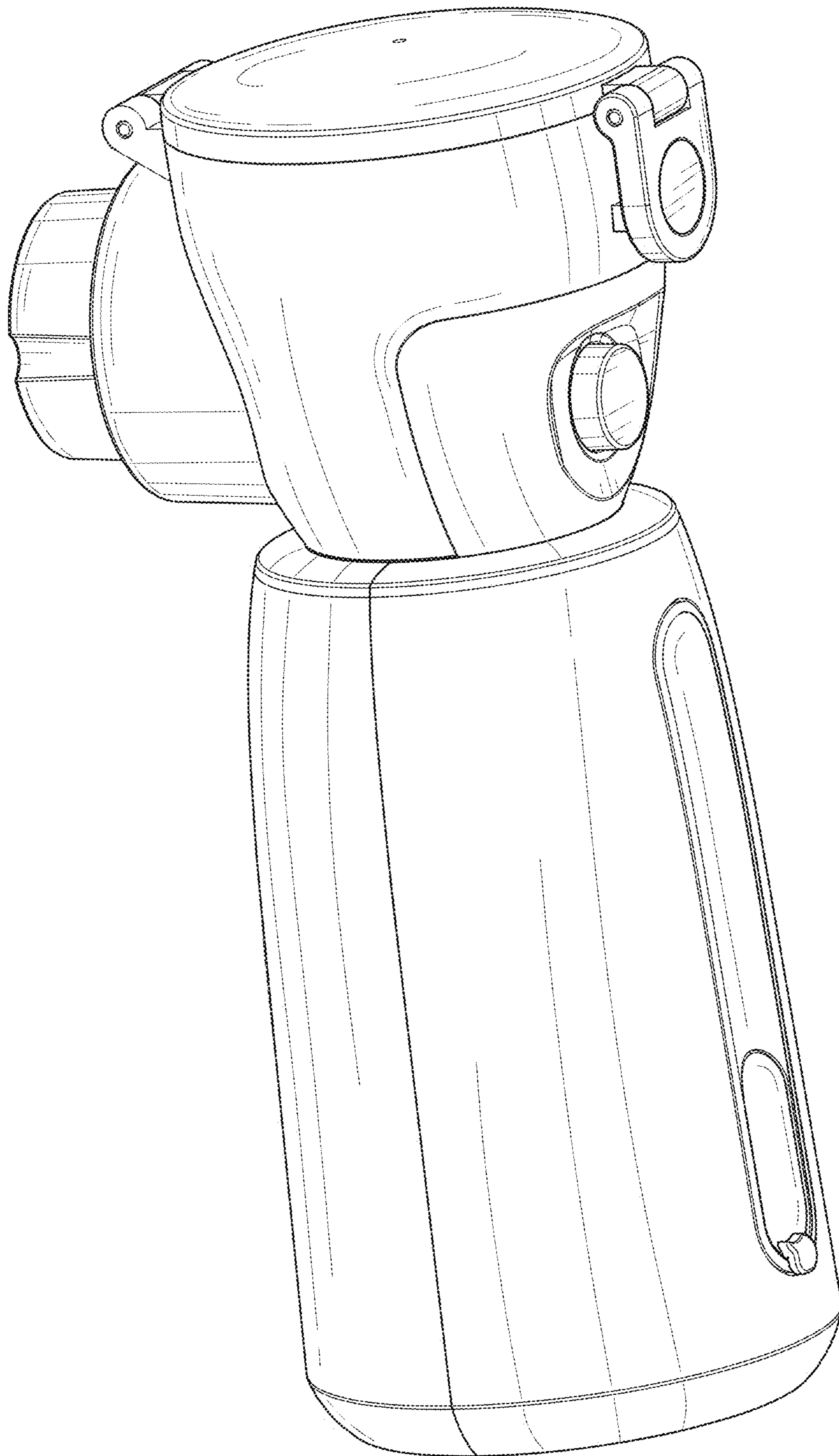


FIG. 1

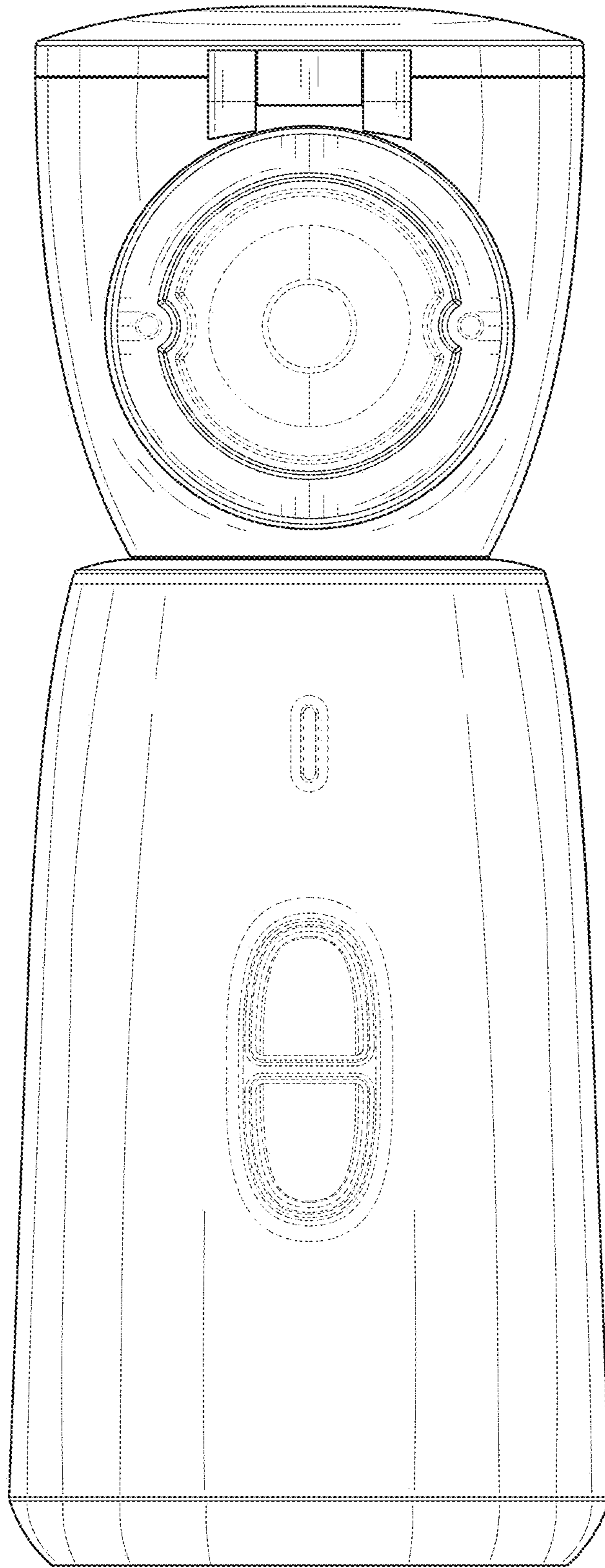


FIG. 2

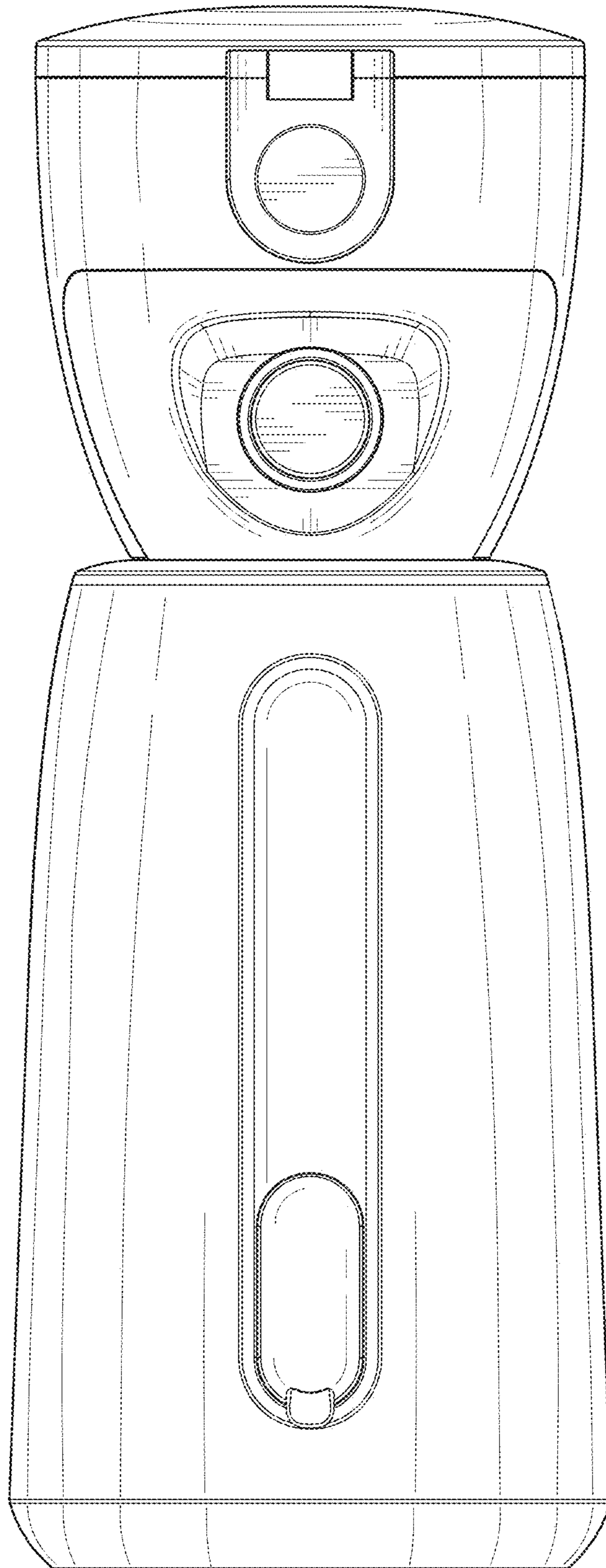


FIG. 3

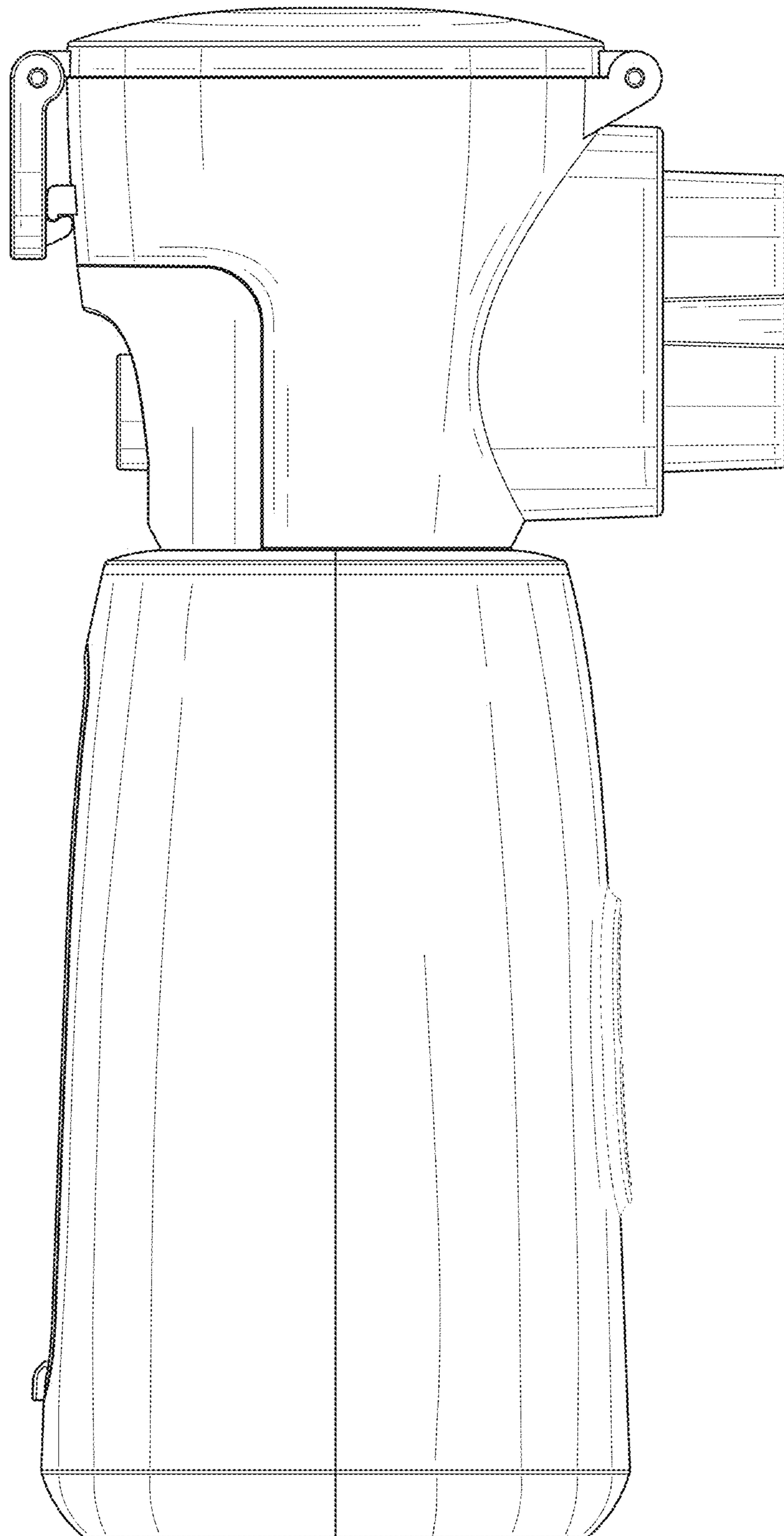


FIG. 4

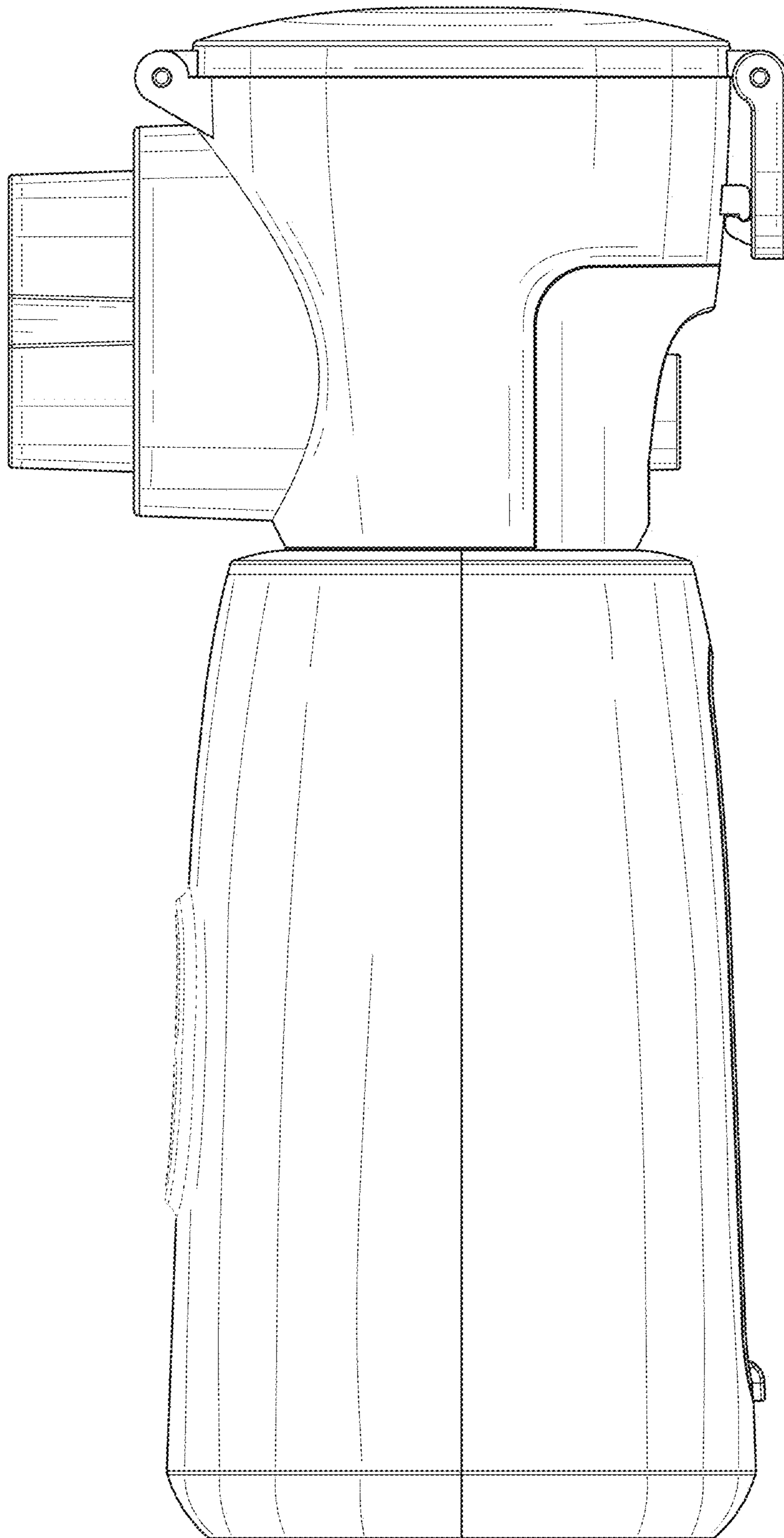


FIG. 5

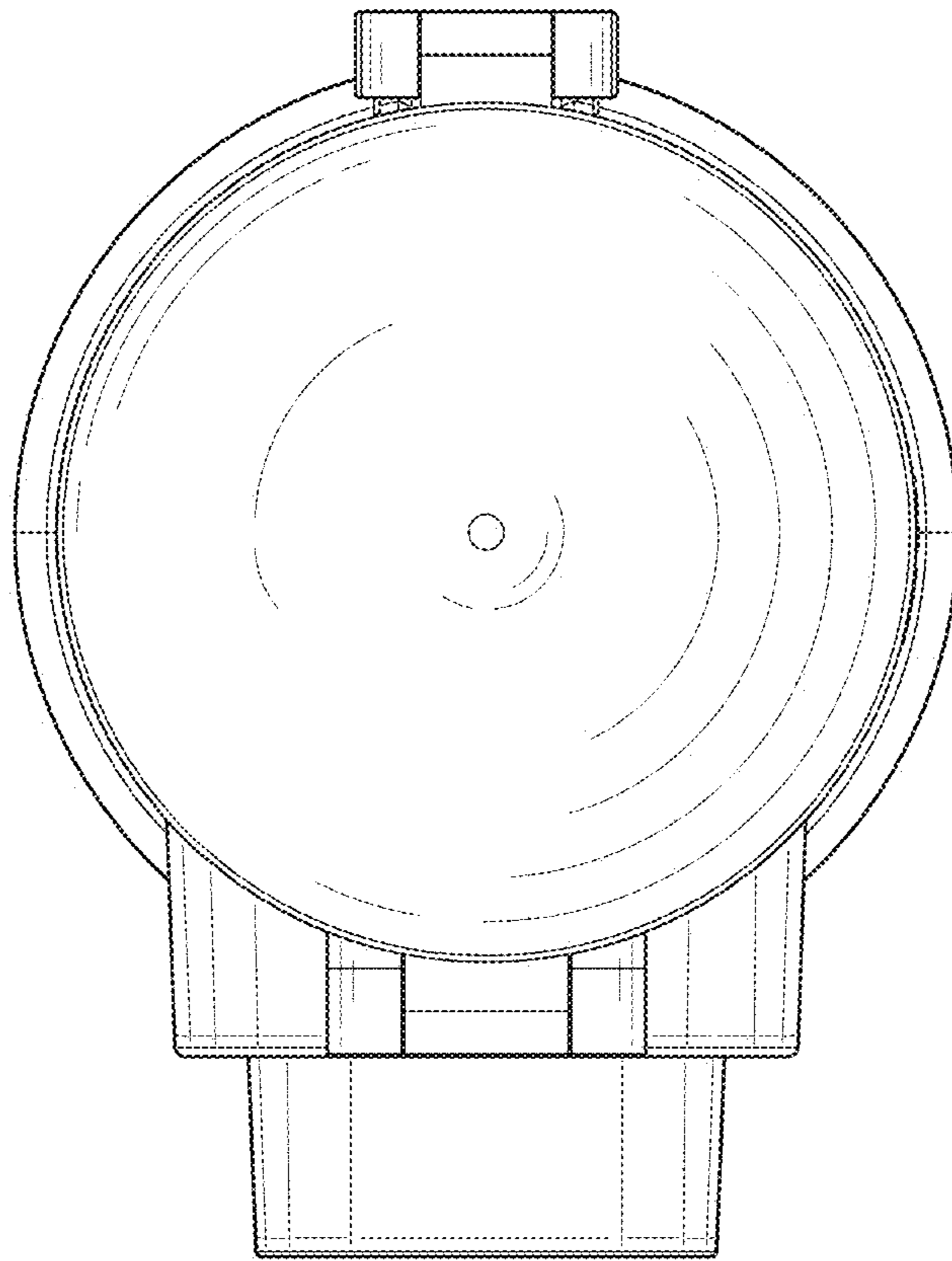


FIG. 6



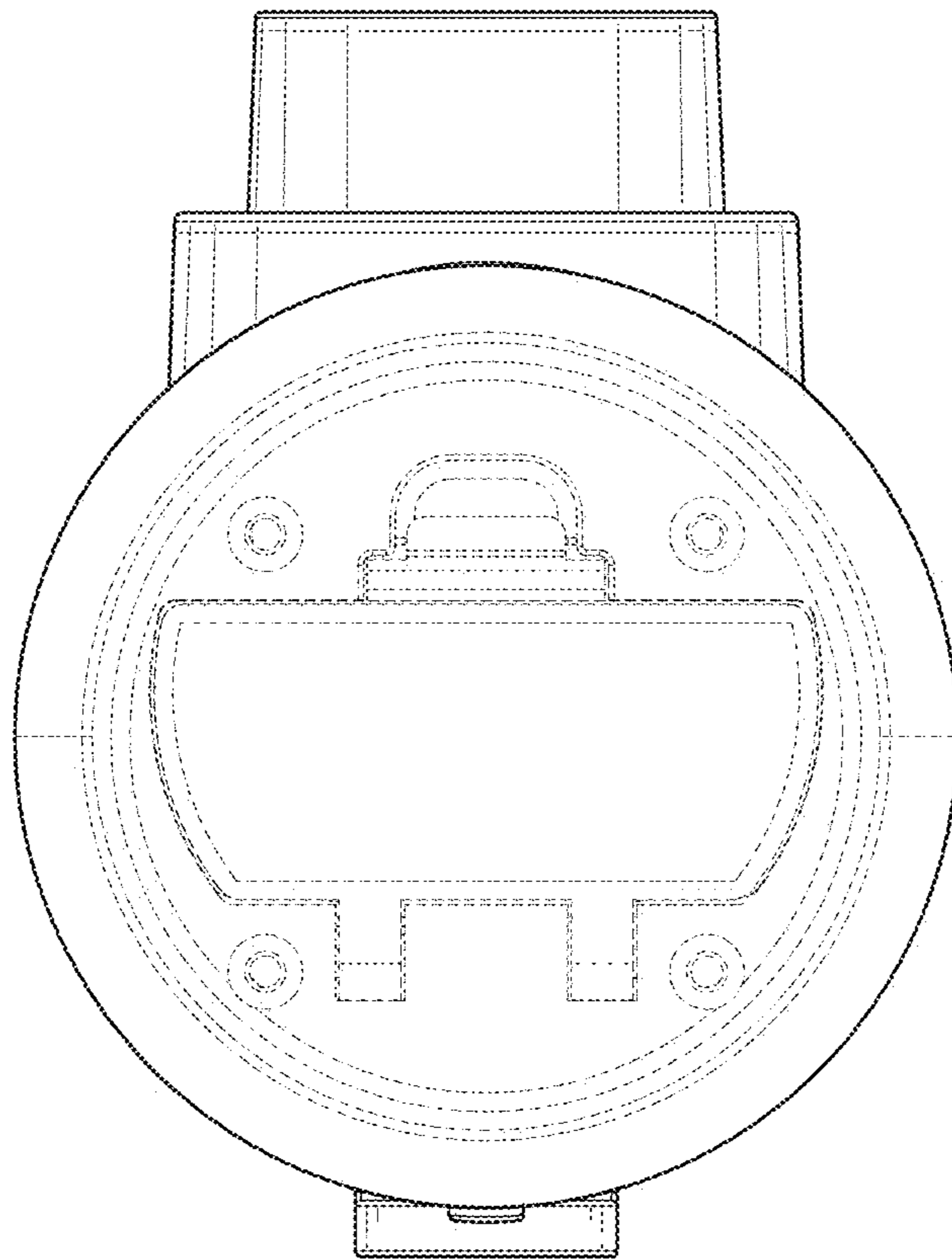


FIG. 7