



US00D953517S

(12) **United States Design Patent** (10) **Patent No.:** **US D953,517 S**  
**Belozerova et al.** (45) **Date of Patent:** **\*\* May 31, 2022**

(54) **CEILING FAN**  
(71) Applicant: **Hunter Fan Company**, Memphis, TN (US)  
(72) Inventors: **Vladlena Belozerova**, Philadelphia, PA (US); **John Depler Coleman**, Philadelphia, PA (US); **Christopher John Murray**, Philadelphia, PA (US); **Patrick R. O'Connell**, Germantown, TN (US)  
(73) Assignee: **Hunter Fan Company**, Memphis, TN (US)

(\*\*) Term: **15 Years**  
(21) Appl. No.: **29/745,196**

(22) Filed: **Aug. 4, 2020**  
(51) **LOC (13) Cl.** ..... **23-04**  
(52) **U.S. Cl.**  
USPC ..... **D23/385**  
(58) **Field of Classification Search**  
USPC ..... D23/370, 371, 378-382, 385  
CPC ..... F24F 7/013; F24F 2221/20; F04D 29/281;  
F04D 25/105; F04D 25/08; F04D 25/084;  
F04D 25/088; F04D 29/005; F04D  
29/384; F04D 29/703; A01M 29/34;  
F21V 33/0096; F21V 21/02  
See application file for complete search history.

(56) **References Cited**

**U.S. PATENT DOCUMENTS**

D409,741 S \* 5/1999 Yuen-Ming ..... D23/370  
D532,095 S \* 11/2006 Calkins ..... D23/370  
D620,096 S 7/2010 Underwood  
D652,133 S 1/2012 Hiner et al.  
D676,952 S 2/2013 Hiner  
D698,914 S \* 2/2014 Love ..... D23/377  
D698,915 S \* 2/2014 Christopher ..... D23/377  
D701,300 S 3/2014 Tanabe et al.  
D734,845 S 7/2015 Xu et al.  
D752,199 S \* 3/2016 Berkman ..... D23/370

D756,501 S \* 5/2016 Park ..... D23/385  
D775,318 S \* 12/2016 Park ..... D23/385  
D775,319 S \* 12/2016 Park ..... D23/385  
(Continued)

**FOREIGN PATENT DOCUMENTS**

CN 206360897 U1 7/2017  
CN 207246053 U1 4/2018

**OTHER PUBLICATIONS**

[https://www.beautifulhalo.com/contemporary-ring-flush-mount-lamp-led-215-width-metal-hanging-fan-light-in-white-with-3-blades-p-415446.html?currency1=USD&track\\_PA\\_G\\_SUS325&gclid=EAIalQobChMIiMHx8cOG6gIVz](https://www.beautifulhalo.com/contemporary-ring-flush-mount-lamp-led-215-width-metal-hanging-fan-light-in-white-with-3-blades-p-415446.html?currency1=USD&track_PA_G_SUS325&gclid=EAIalQobChMIiMHx8cOG6gIVz), Contemporary Ring Flush Mount Lamp LED 21.5" Width Metal Hanging Fan Light in White with 3 Blades, accessed Jun. 23, 2020.

(Continued)

*Primary Examiner* — Janice Hallmark  
(74) *Attorney, Agent, or Firm* — McGarry Bair PC

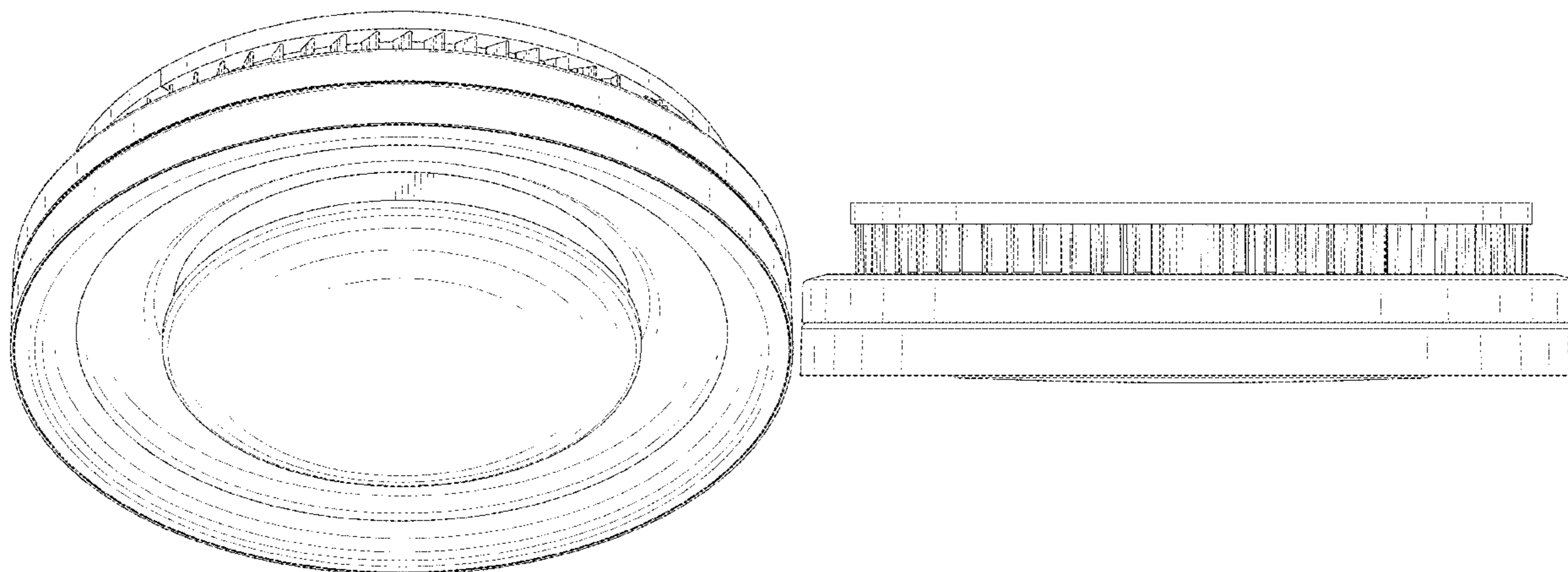
(57) **CLAIM**

The ornamental design for a ceiling fan, as shown and described.

**DESCRIPTION**

FIG. 1 is a top perspective view of a ceiling fan, showing our new design with a diverter in a first position.  
FIG. 2 is a bottom perspective view thereof;  
FIG. 3 is a front view thereof;  
FIG. 4 is a side view thereof;  
FIG. 5 is a top view thereof;  
FIG. 6 is a bottom view thereof;  
FIG. 7 is a top perspective view of the ceiling fan of FIG. 1, showing the diverter in a second position;  
FIG. 8 is a bottom perspective view thereof;  
FIG. 9 is a front view thereof; and,  
FIG. 10 is a side view thereof.  
Portions of the ceiling fan are shown in broken lines, which form no part of the claimed design.

**1 Claim, 10 Drawing Sheets**



(56)

**References Cited**

## U.S. PATENT DOCUMENTS

D779,049 S \* 2/2017 Wang ..... D23/385  
D804,645 S \* 12/2017 Habig ..... D23/411  
D805,182 S \* 12/2017 Pickett ..... D23/411  
D813,369 S 3/2018 Chiu  
D847,967 S \* 5/2019 Hernandez ..... D23/370  
D903,083 S \* 11/2020 Huang ..... D23/370  
D903,084 S \* 11/2020 Huang ..... D23/370  
D920,498 S \* 5/2021 Habig ..... D23/411  
D933,185 S \* 10/2021 Li ..... D23/371  
2016/0363313 A1 \* 12/2016 Wang ..... F21V 33/0096

## OTHER PUBLICATIONS

<https://shop.purifan.com/collections/frontpage/products/purifan-airpurifier-with-matching-52-inch-ceiling-fan-motor-no-light-kit-in-this-package>, Puritan Air Purifier with smoking filters only, accessed Jun. 23, 2020.

<https://fanimation.com/products/fans/indoor/beckwithfp7964b/>, Fanimation Beckwith, 12" Sweep Blade LED Ceiling Fan and Light Remote, Model No. FP7964b, accessed Jun. 23, 2020.

<https://fanimation.com/products/fans/indoor/ringaire/Tunley>, Fanimation Ringaire LED Ceiling Fan with Blade set, Model No. LP8405, accessed Jun. 23, 2020.

<https://www.hunterfan.com/collections/ceiling-fans/products/ceiling-fanstunley-with-led-light-12-inch-famd89?variant=33885323001988USD652133>, Hunter Fan Tunley with LED Light 12 inch, Item No. 50764, accessed Jun. 23, 2020.

\* cited by examiner

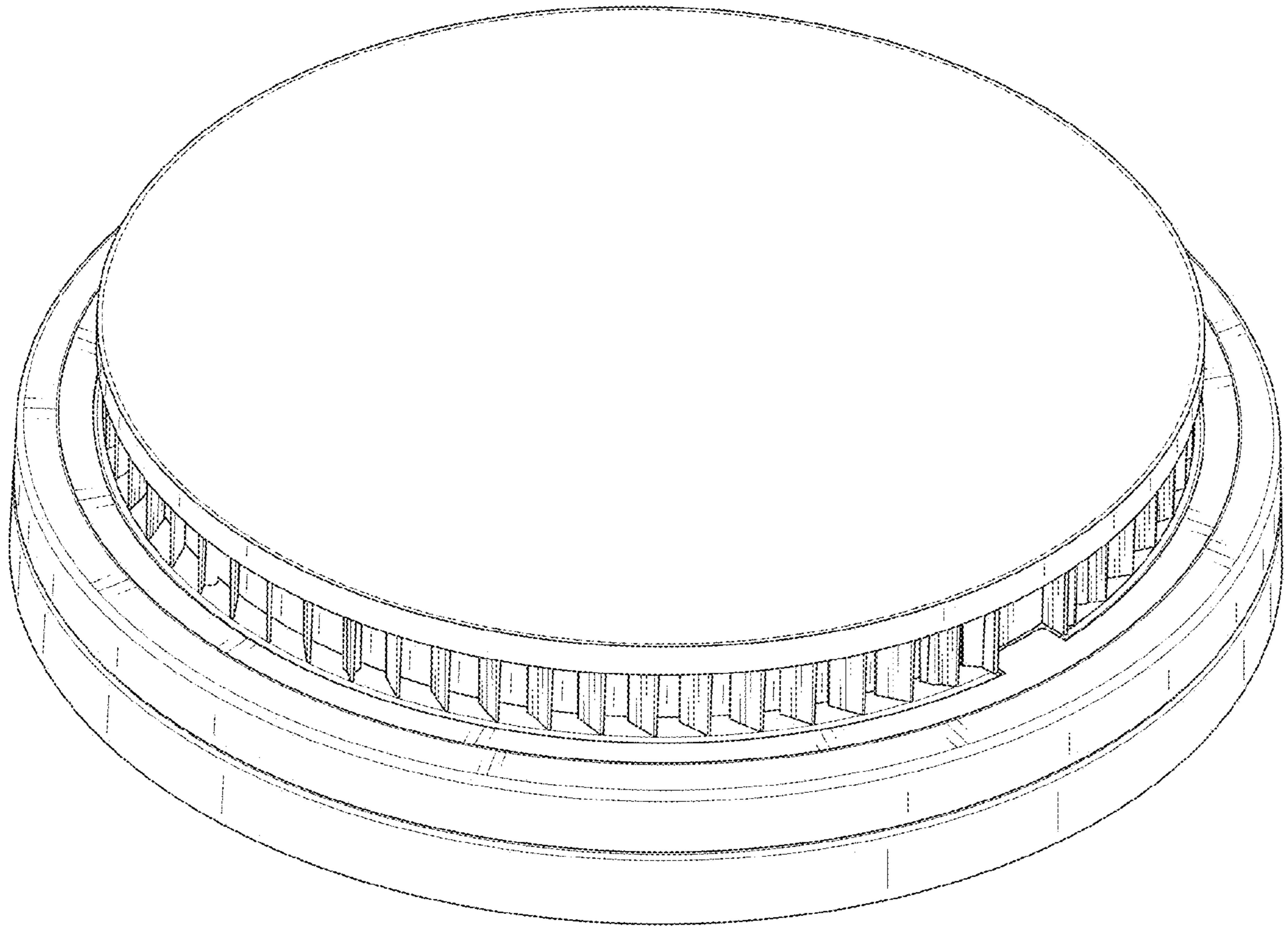


FIG. 1

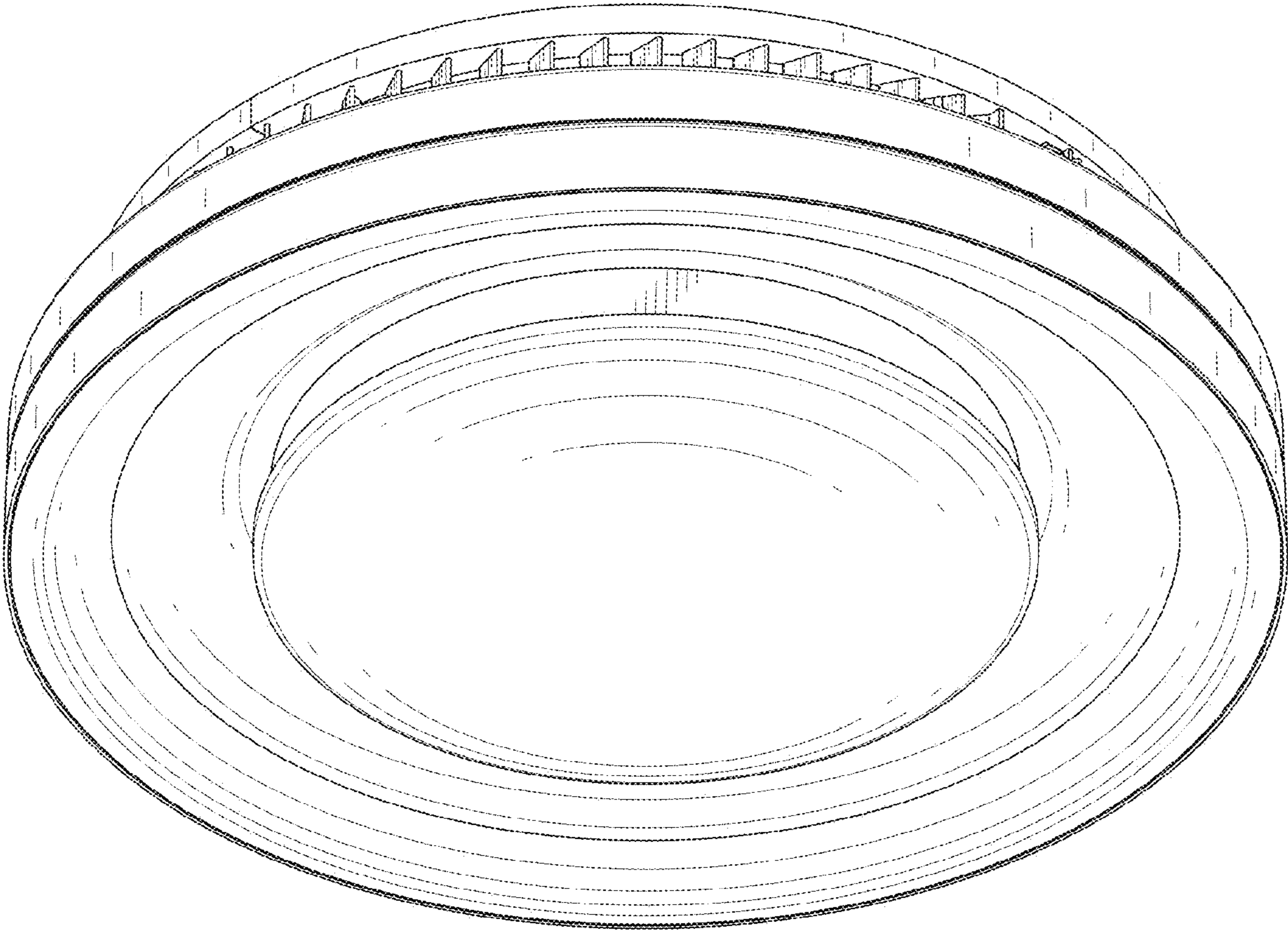


FIG. 2

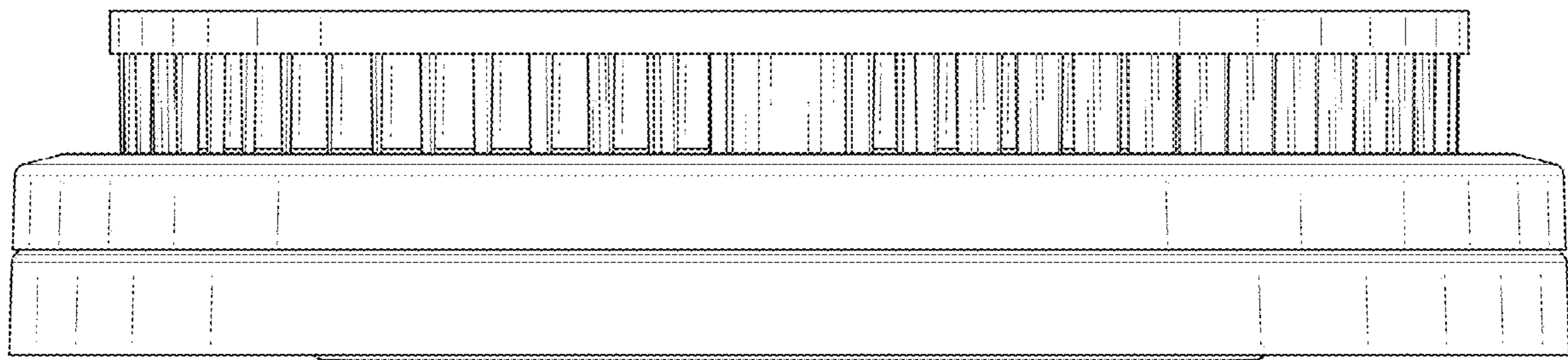


FIG. 3

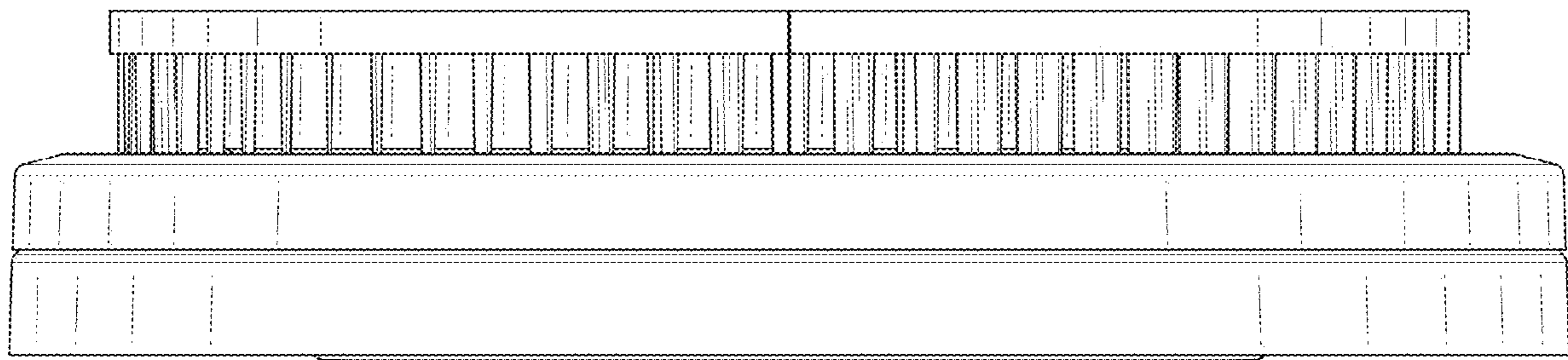


FIG. 4

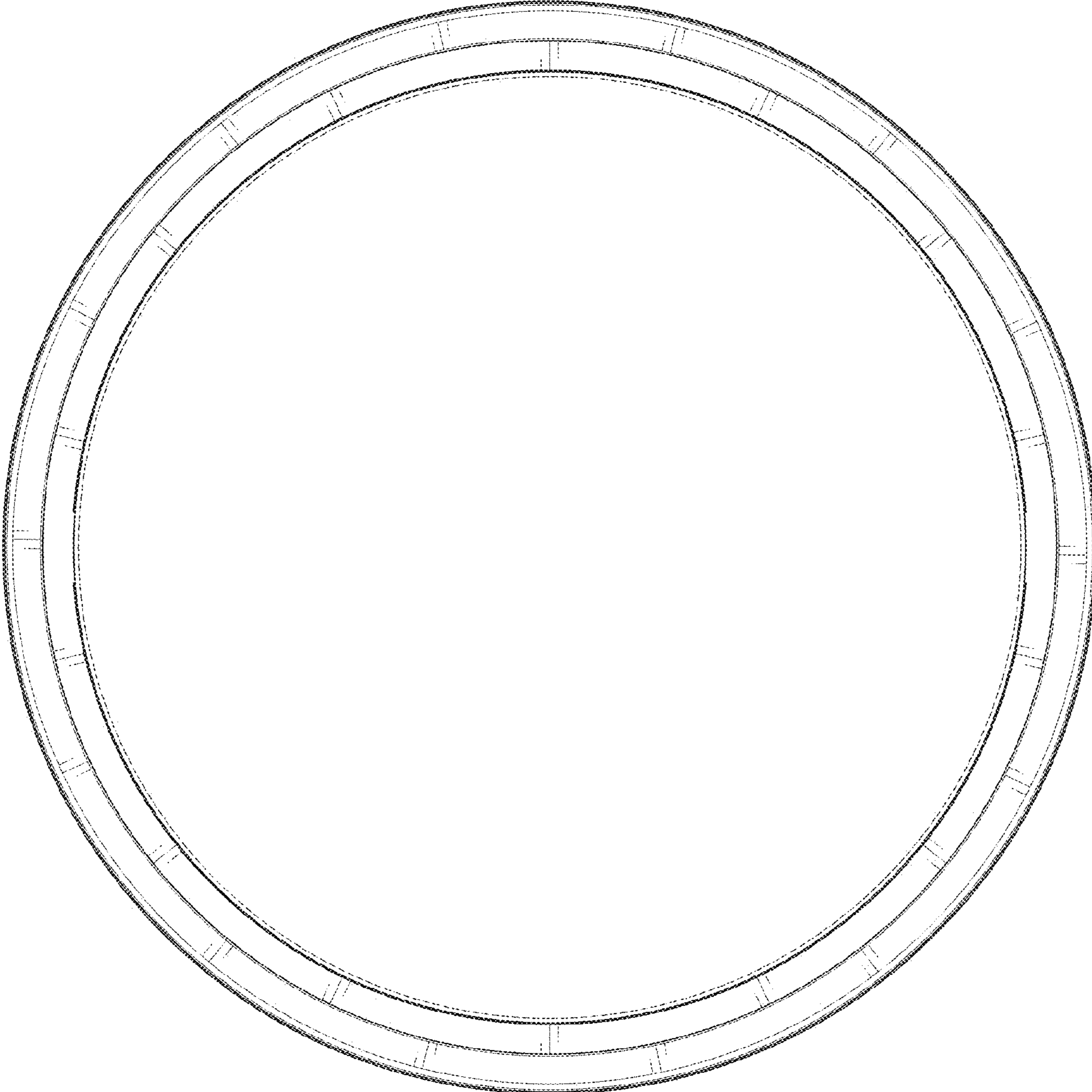


FIG. 5

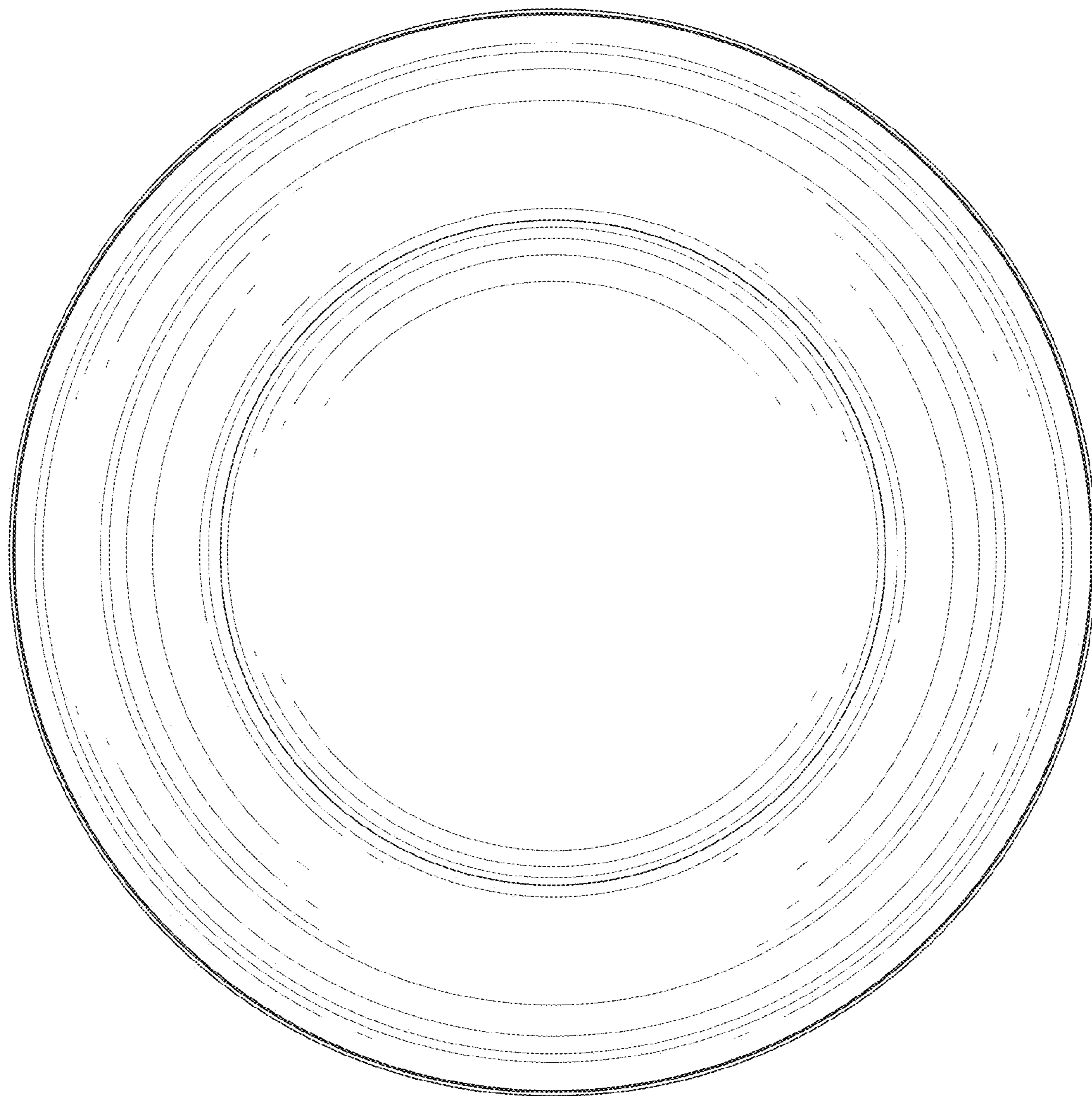


FIG. 6



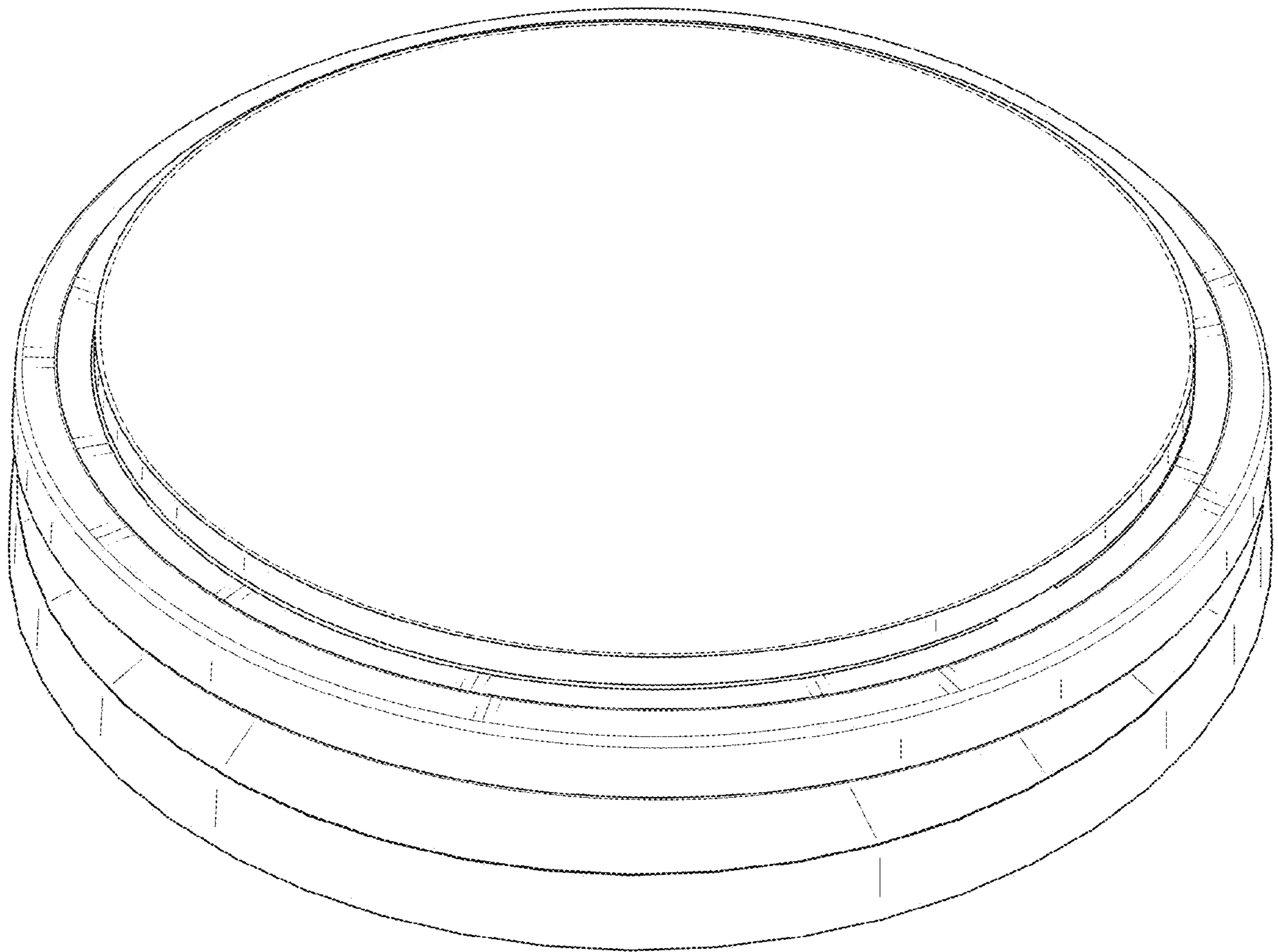


FIG. 7

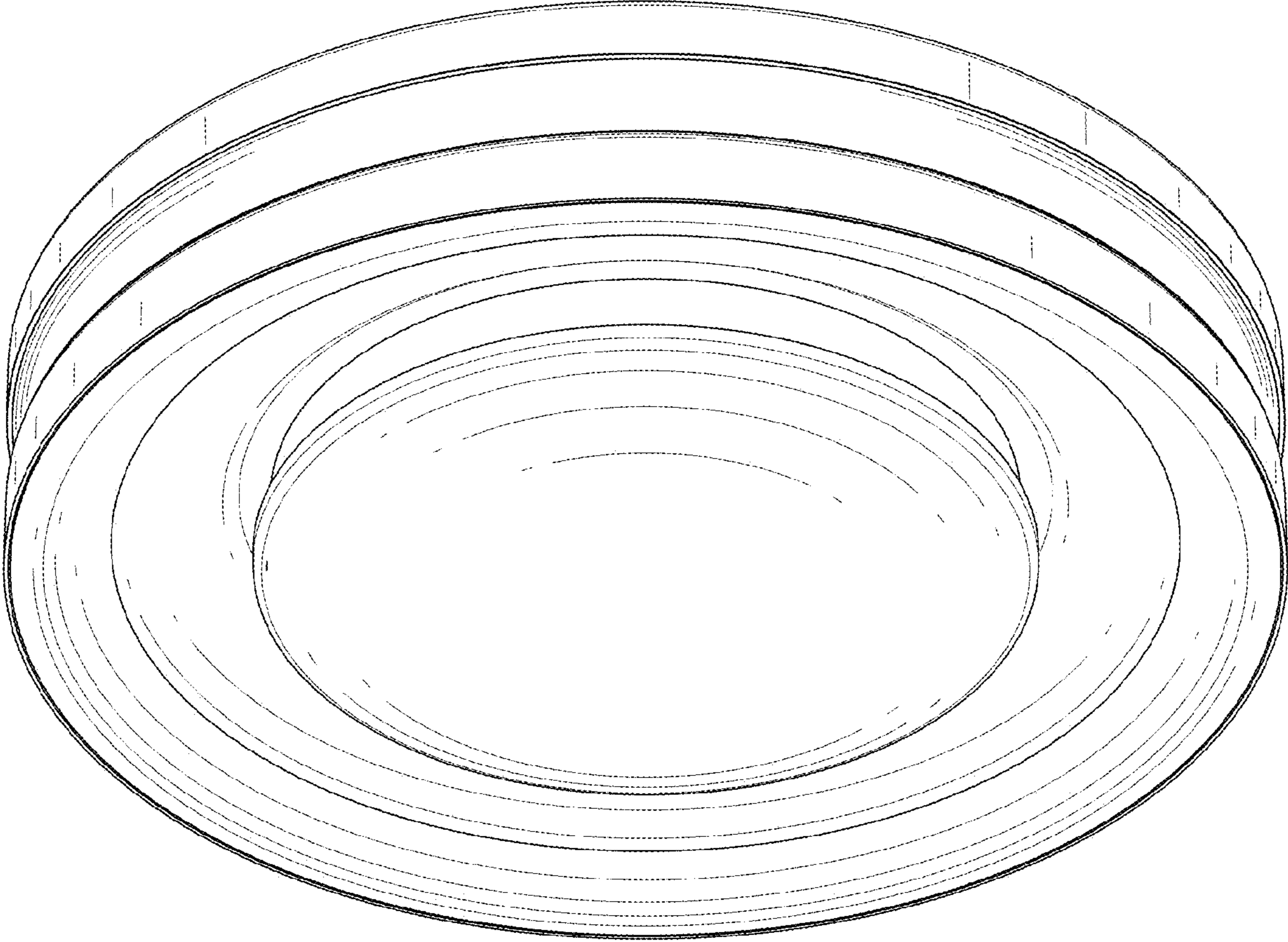


FIG. 8

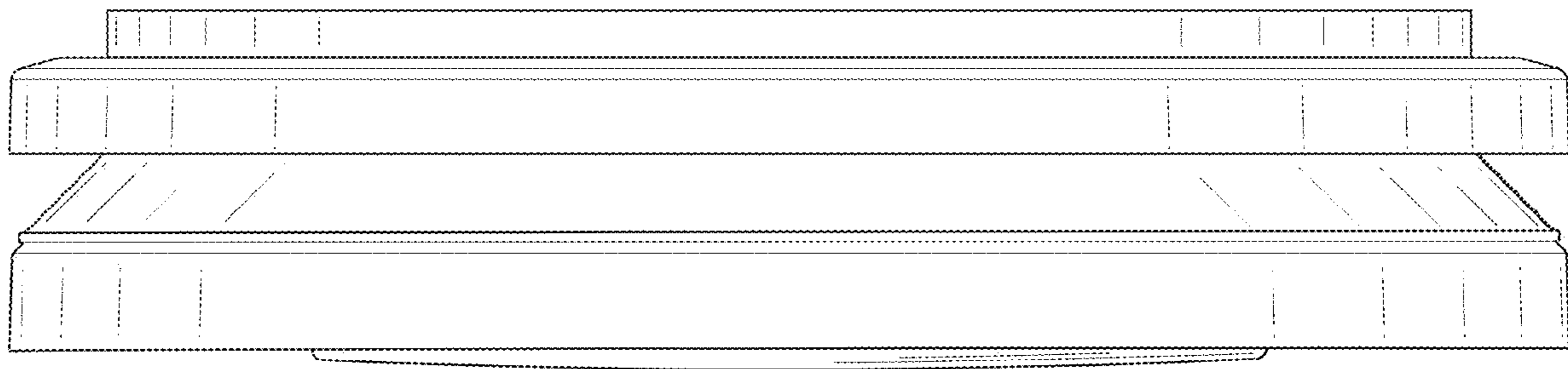


FIG. 9

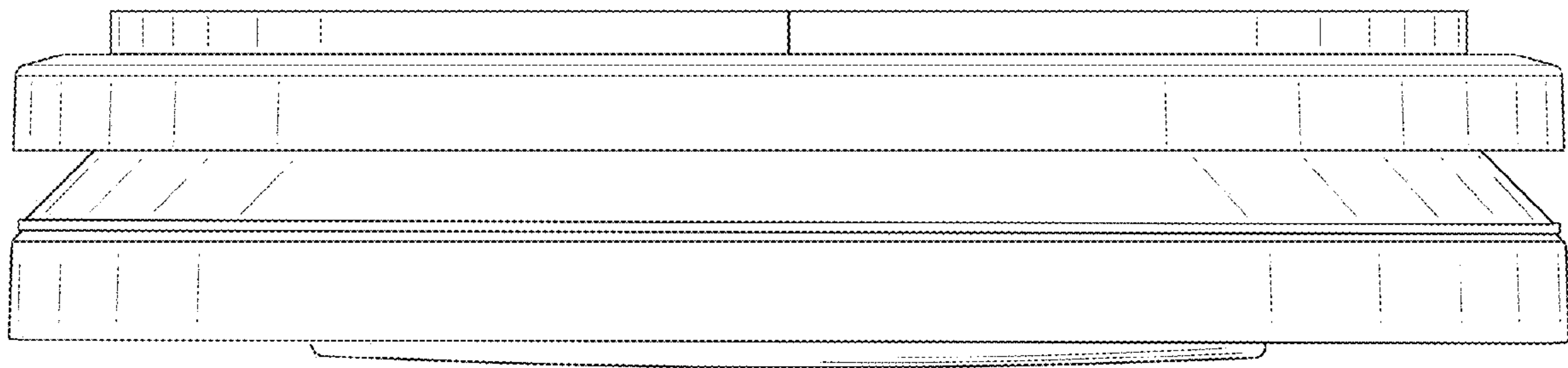


FIG. 10