



US00D953516S

(12) **United States Design Patent**
Chen

(10) **Patent No.:** **US D953,516 S**

(45) **Date of Patent:** **** May 31, 2022**

- (54) **FAN**
- (71) Applicant: **SHENZHEN NANPIAOCHEN INDUSTRY CO., LTD**, Shenzhen (CN)
- (72) Inventor: **Mainan Chen**, Shenzhen (CN)
- (73) Assignee: **SHENZHEN NANPIAOCHEN INDUSTRY CO., LTD**, Shenzhen (CN)
- (**) Term: **15 Years**

D387,150 S *	12/1997	Coonahan	D28/12
D406,331 S *	3/1999	Chan	D23/382
D669,976 S *	10/2012	Hsu	D23/382
D754,318 S *	4/2016	Thirouin	D23/370
D770,033 S *	10/2016	Ksiazek	D8/395
D881,371 S *	4/2020	Hollinger	D23/382
D898,180 S *	10/2020	Du	D23/382
D905,843 S *	12/2020	Chen	D23/382
D910,160 S *	2/2021	Hsu	D23/382
D923,773 S *	6/2021	Wang	D23/382
D933,803 S *	10/2021	He	D23/382
D940,850 S *	1/2022	He	D23/382

(21) Appl. No.: **29/827,038**

(22) Filed: **Feb. 17, 2022**

Related U.S. Application Data

(62) Division of application No. 29/780,476, filed on Apr. 25, 2021.

(51) **LOC (13) Cl.** **23-04**

(52) **U.S. Cl.**
USPC **D23/382**

(58) **Field of Classification Search**
USPC D23/370, 378-382, 411-414, 317, 328,
D23/332, 333, 335-337, 342, 356, 360,
D23/362; D28/12-19

CPC .. F24F 2221/38; F04D 25/084; F04D 29/703;
A42B 3/286

See application file for complete search history.

(56) **References Cited**

U.S. PATENT DOCUMENTS

D372,772 S *	8/1996	Dubois	D23/382
D384,144 S *	9/1997	DuBois	D23/370

* cited by examiner

Primary Examiner — Janice Hallmark

(57) **CLAIM**

The ornamental design for a fan, as shown and described.

DESCRIPTION

FIG. 1 is a perspective view of a fan showing my new design;

FIG. 2 is another perspective view thereof;

FIG. 3 is a front elevational view thereof;

FIG. 4 is a rear elevational view thereof;

FIG. 5 is a left side elevational view thereof;

FIG. 6 is a right side elevational view thereof;

FIG. 7 is a top plan view thereof; and,

FIG. 8 is a bottom plan view thereof.

1 Claim, 8 Drawing Sheets

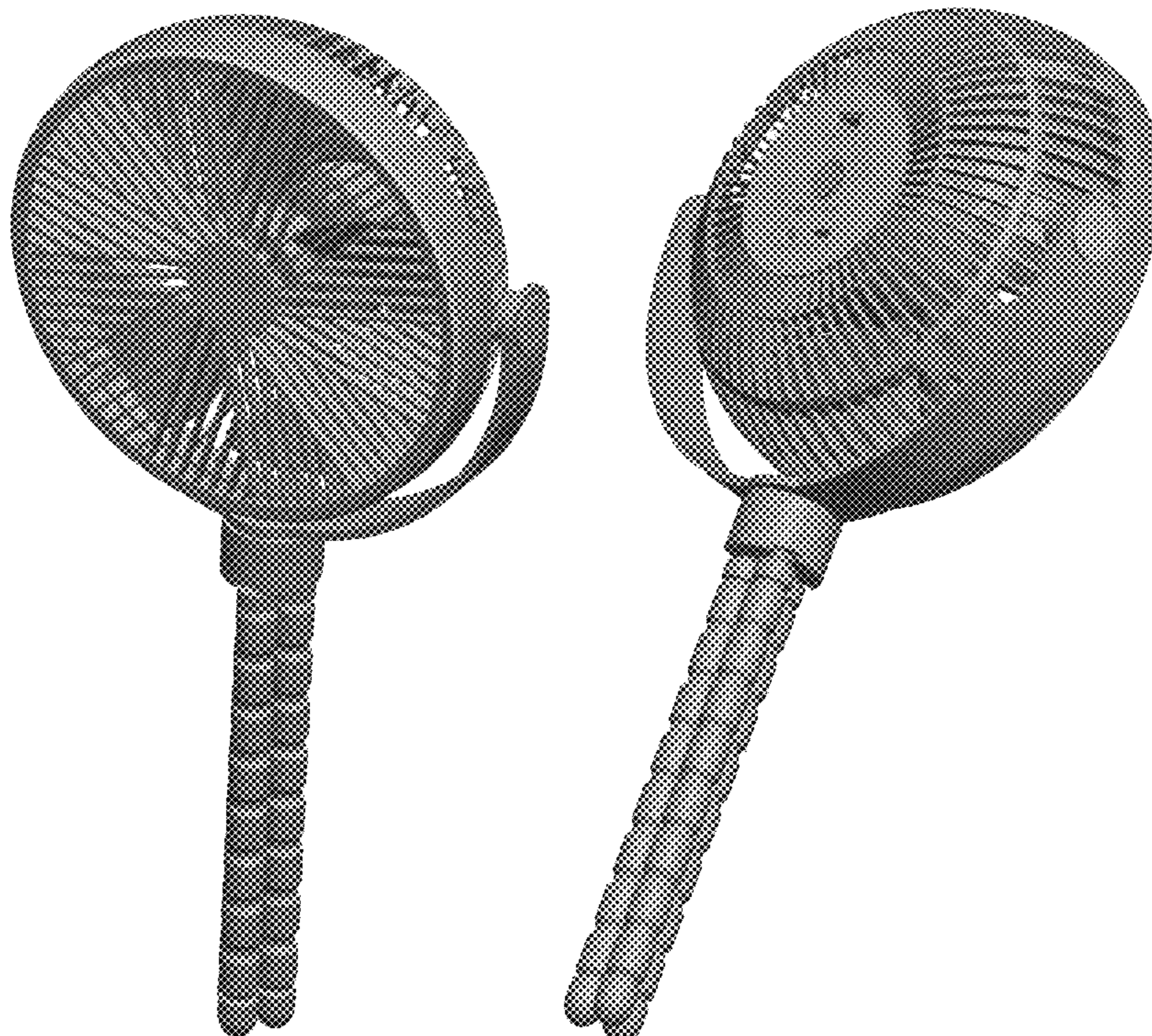




FIG. 1

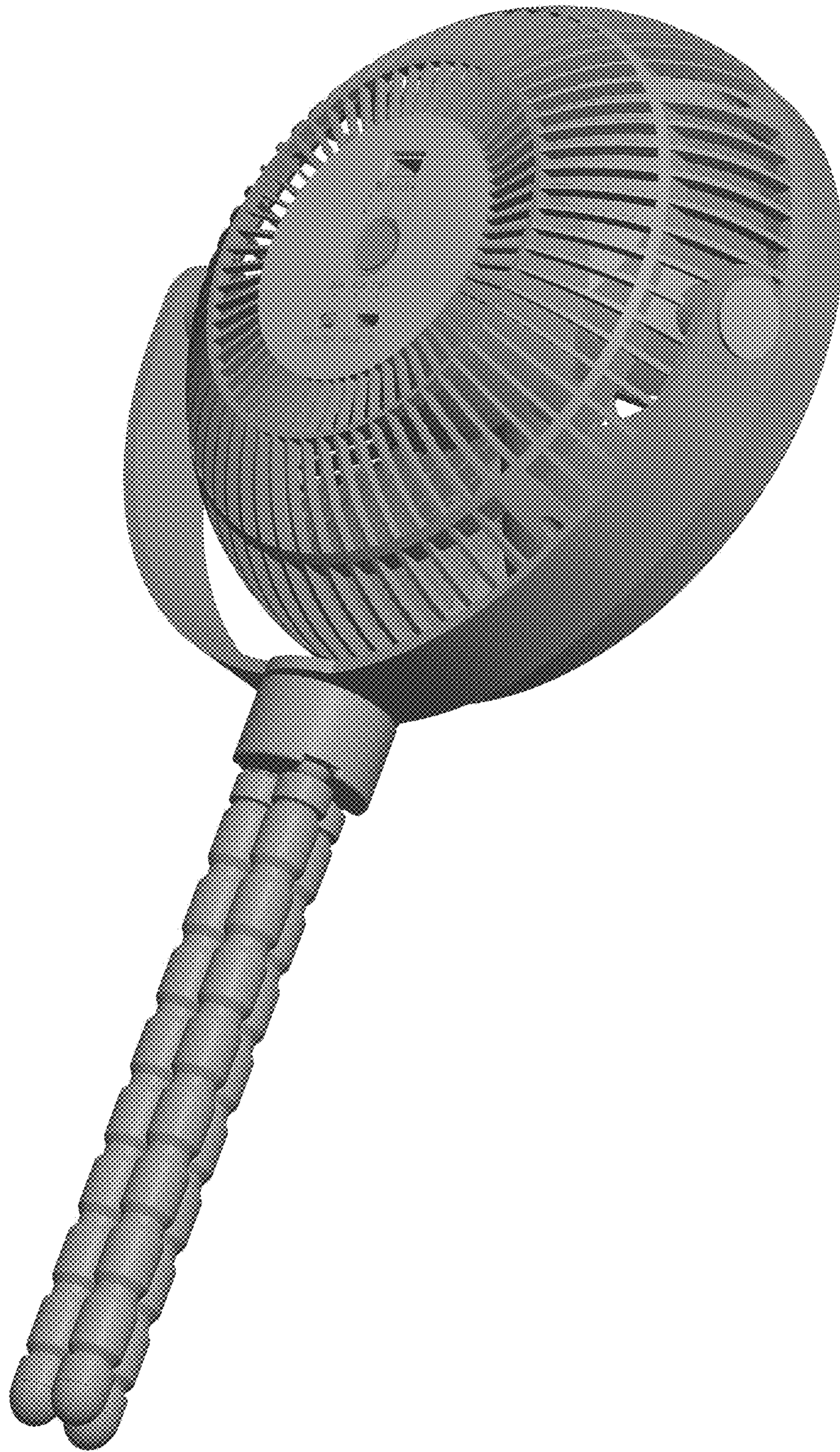


FIG. 2

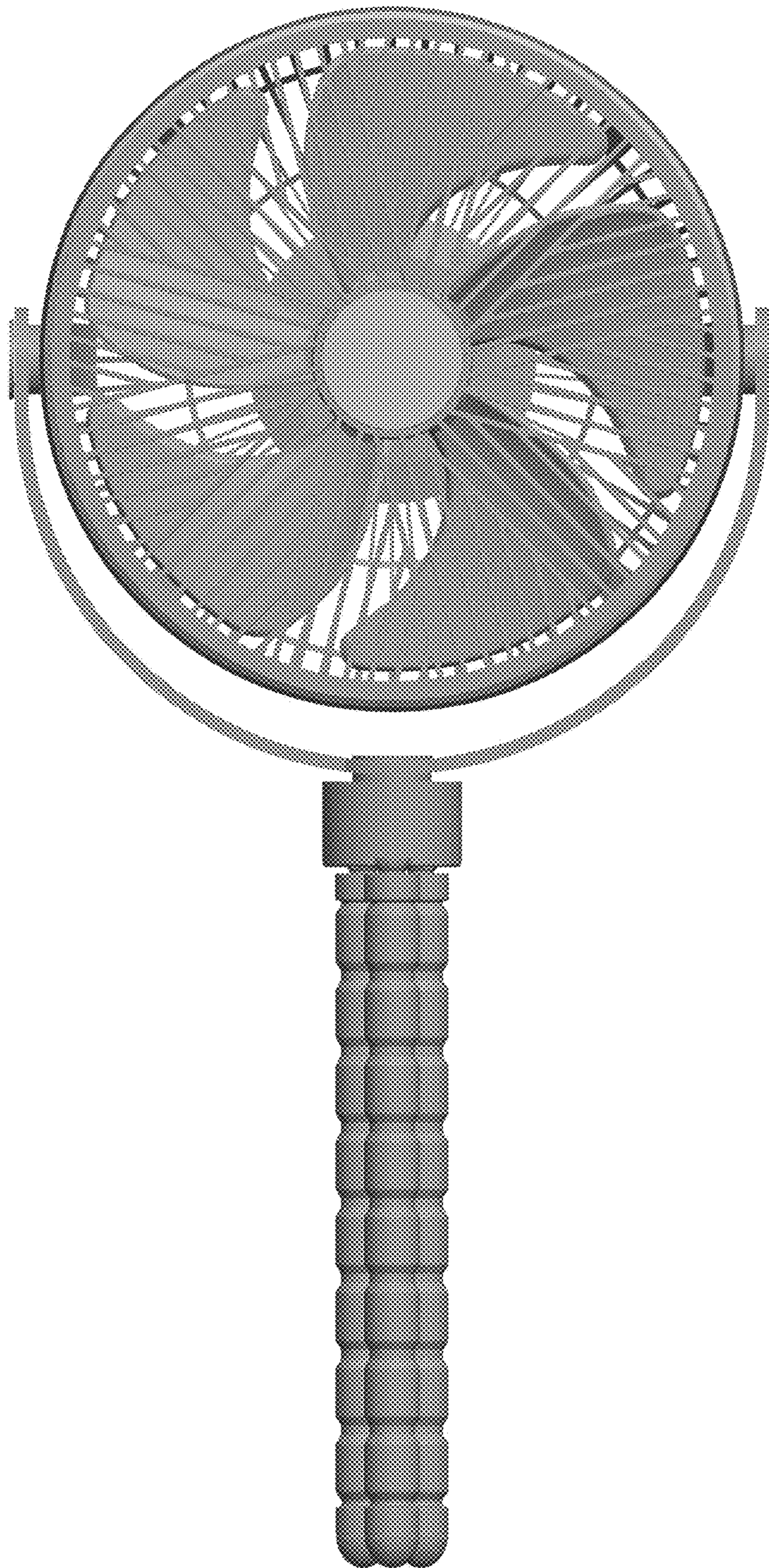


FIG. 3

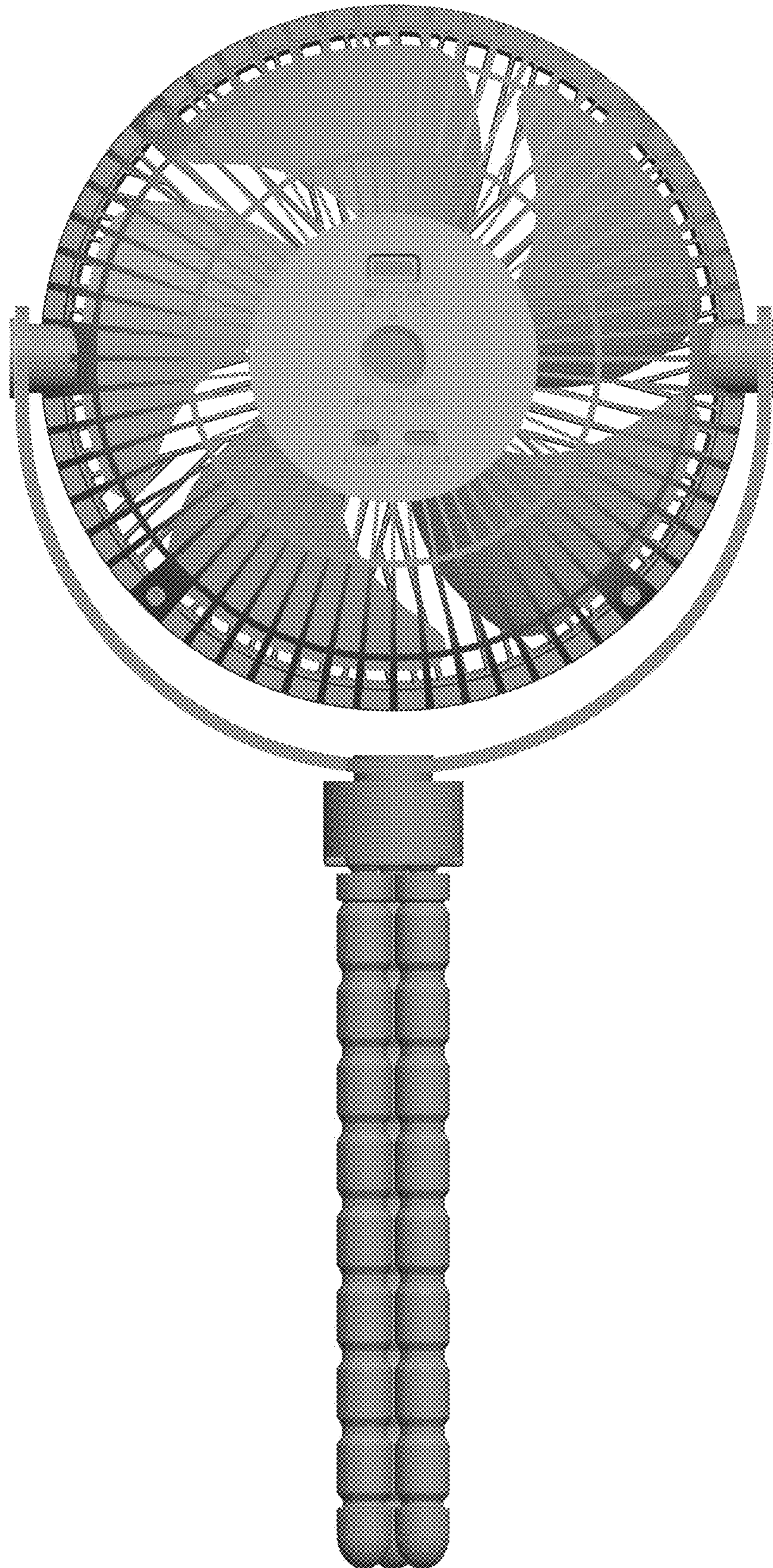


FIG. 4

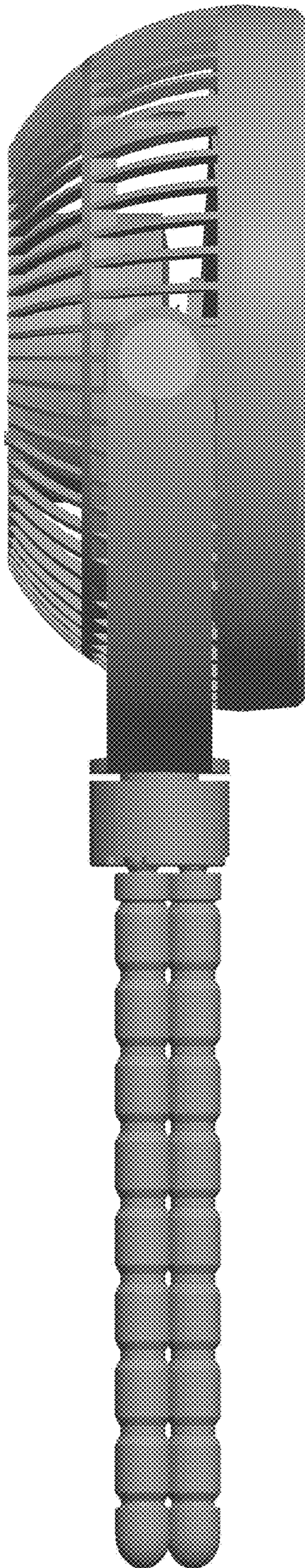


FIG. 5

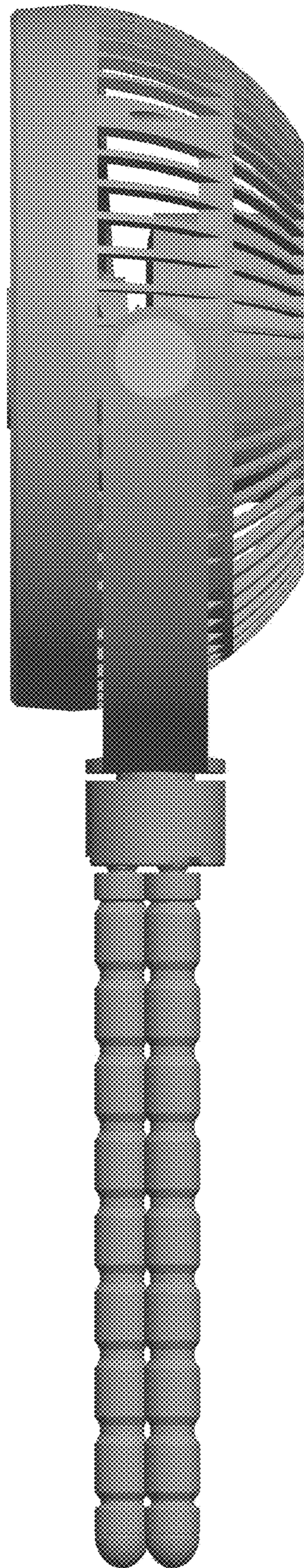


FIG. 6

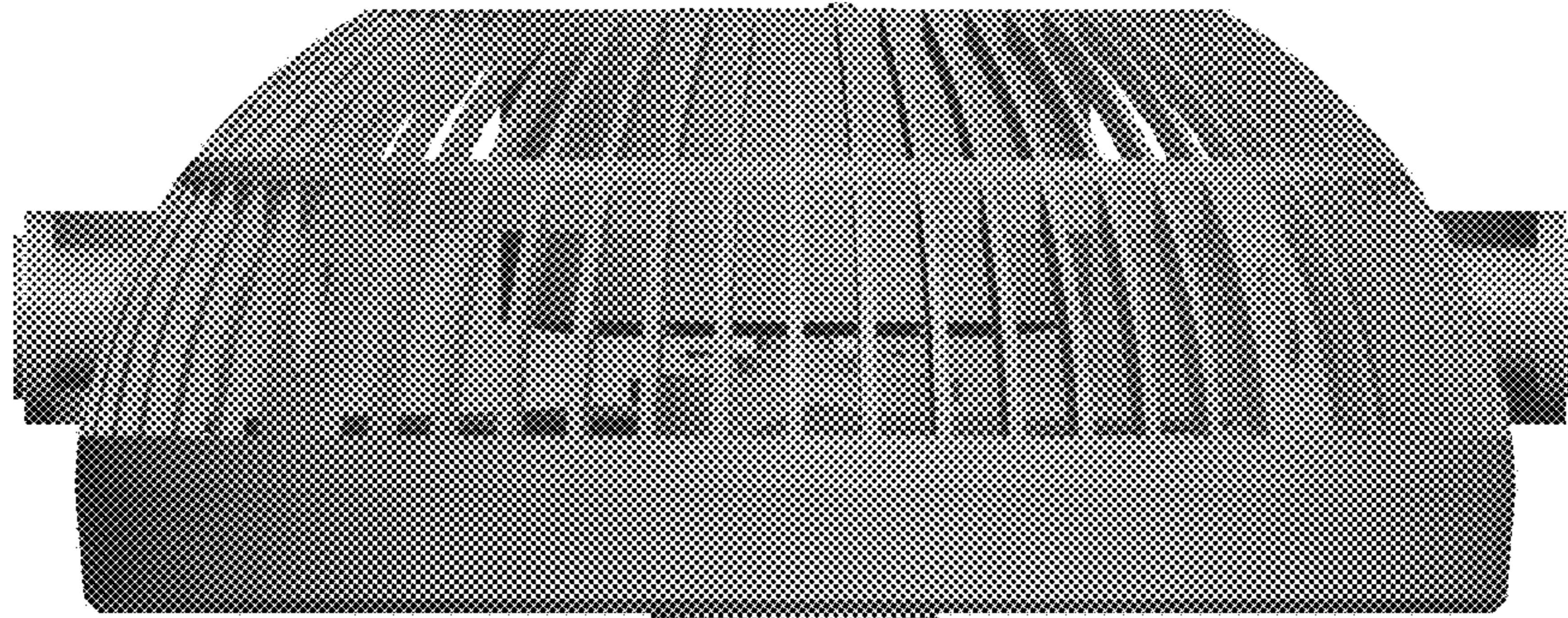


FIG. 7

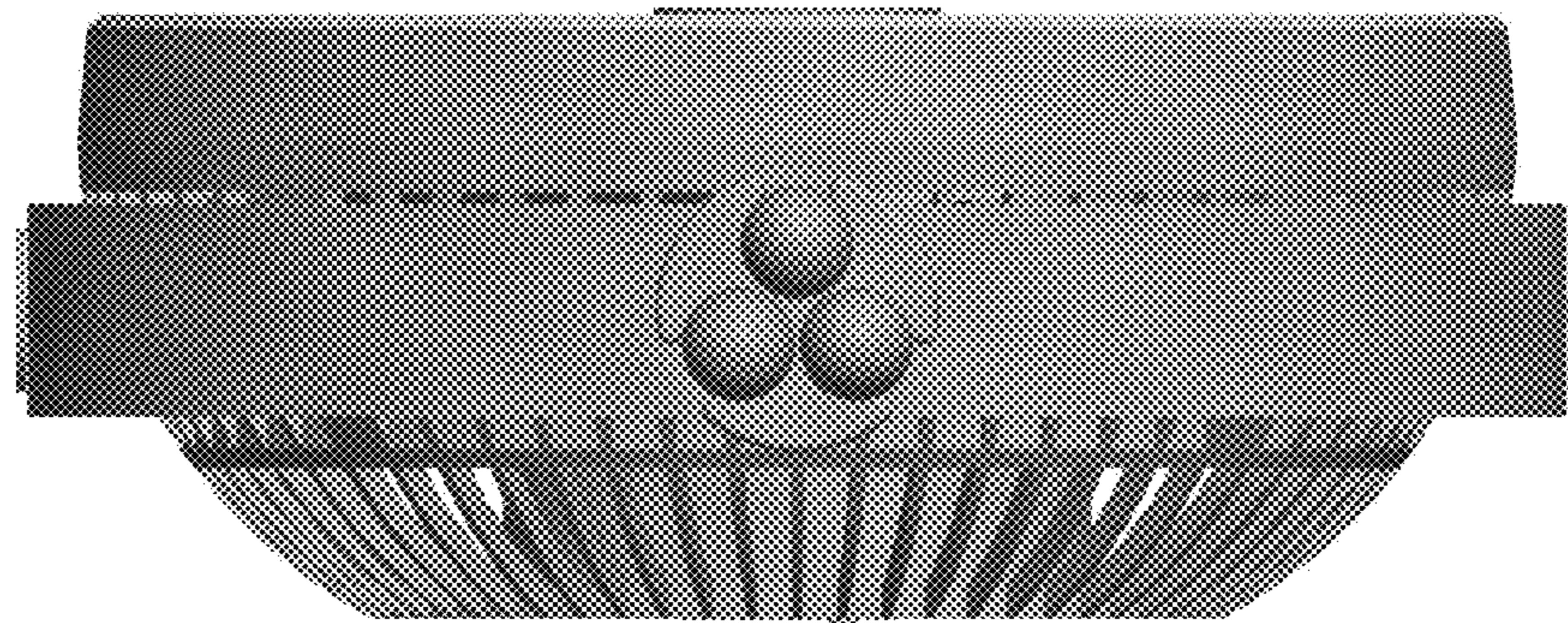


FIG. 8