



US00D953515S

(12) **United States Design Patent** (10) **Patent No.:** **US D953,515 S**  
**Hong** (45) **Date of Patent:** **\*\* May 31, 2022**

(54) **FOLDABLE FAN**  
(71) Applicant: **MIDEA GROUP CO., LTD.**,  
Guangdong (CN)  
(72) Inventor: **Sizhan Hong**, Guangdong (CN)  
(73) Assignee: **MIDEA GROUP CO., LTD.**,  
Guangdong (CN)

D420,734 S \* 2/2000 Thakur ..... D23/382  
D459,464 S \* 6/2002 Chura ..... D23/411  
D520,132 S \* 5/2006 Jones ..... D23/378  
D762,837 S \* 8/2016 Yeung ..... D23/378  
D827,121 S \* 8/2018 Wang ..... D23/378  
D881,371 S \* 4/2020 Hollinger ..... D23/382  
D891,602 S \* 7/2020 Wang ..... D23/378  
D923,772 S \* 6/2021 Chen ..... D23/378  
D940,296 S \* 1/2022 Park ..... D23/411  
D944,963 S \* 3/2022 Huang ..... D23/382

\* cited by examiner

*Primary Examiner* — Natasha Vujcic

(\*\*) Term: **15 Years**  
(21) Appl. No.: **35/511,023**  
(22) Filed: **Nov. 3, 2020**

(57) **CLAIM**

The ornamental design for a foldable fan, as shown and described.

(80) **Hague Agreement Data**  
Int. Filing Date: **Nov. 3, 2020**  
Int. Reg. No.: **DM/211812**  
Int. Reg. Date: **Nov. 3, 2020**  
Int. Reg. Pub. Date: **Dec. 25, 2020**

**DESCRIPTION**

(30) **Foreign Application Priority Data**

Jul. 23, 2020 (CN) ..... 202030404770.9

(51) **LOC (13) Cl.** ..... **23-04**  
(52) **U.S. Cl.**  
USPC ..... **D23/378**

(58) **Field of Classification Search**  
USPC ..... D23/370–385, 411–414; D13/179  
CPC ..... F04D 25/088; F04D 25/06; F04D 29/38;  
F04D 29/522; F04D 29/5853; F04D  
29/326; F01P 5/02  
See application file for complete search history.

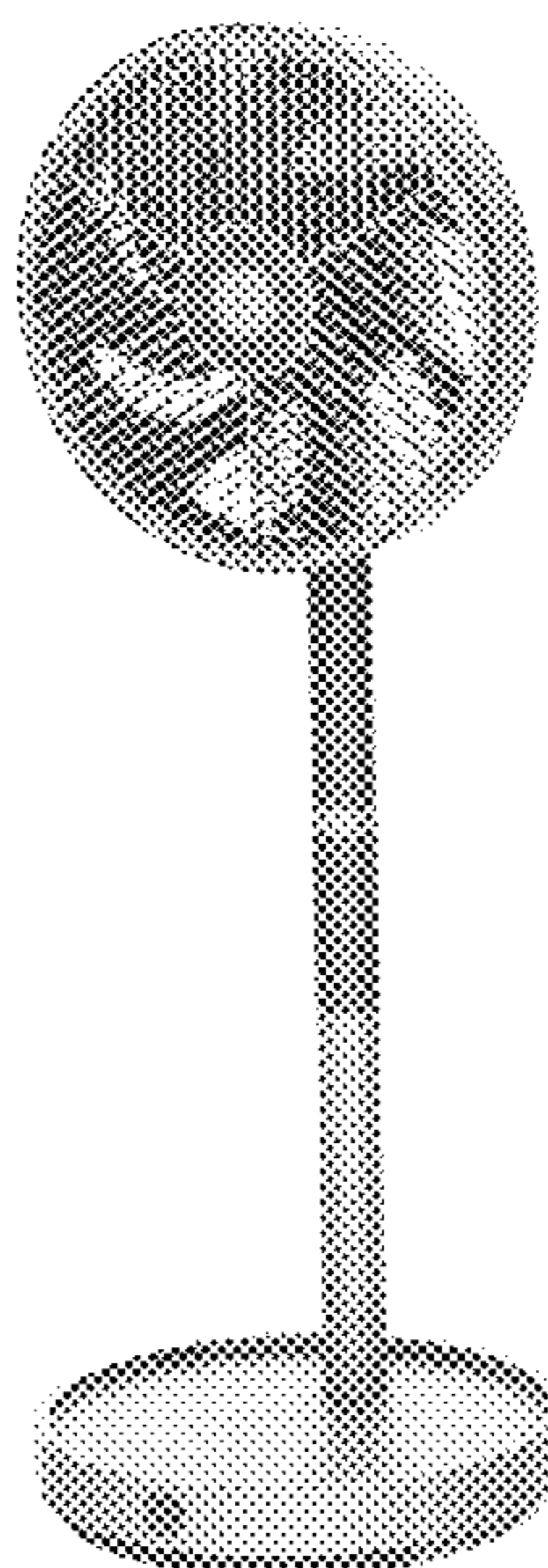
1. Foldable fan  
1.1 : Front  
1.2 : Back  
1.3 : Left  
1.4 : Right  
1.5 : Top  
1.6 : Bottom  
1.7 : Perspective  
1.8 : Exploded bottom view  
1.9 : Front view in assembled state  
1.10 : Back view in assembled state  
1.11 : Left view in assembled state  
1.12 : Right view in assembled state  
1.13 : Top view in assembled state  
1.14 : Bottom view in assembled state  
1.15 : Perspective view in assembled state  
This design product is a foldable fan shown in reproductions 1.1 to 1.15; reproductions 1.1 to 1.7 show the fan in a folded state, while reproductions 1.9 to 1.15 show the fan in a completely assembled state; moreover, reproduction 1.8 is an exploded bottom view of this design, showing where the fan rack is stored.

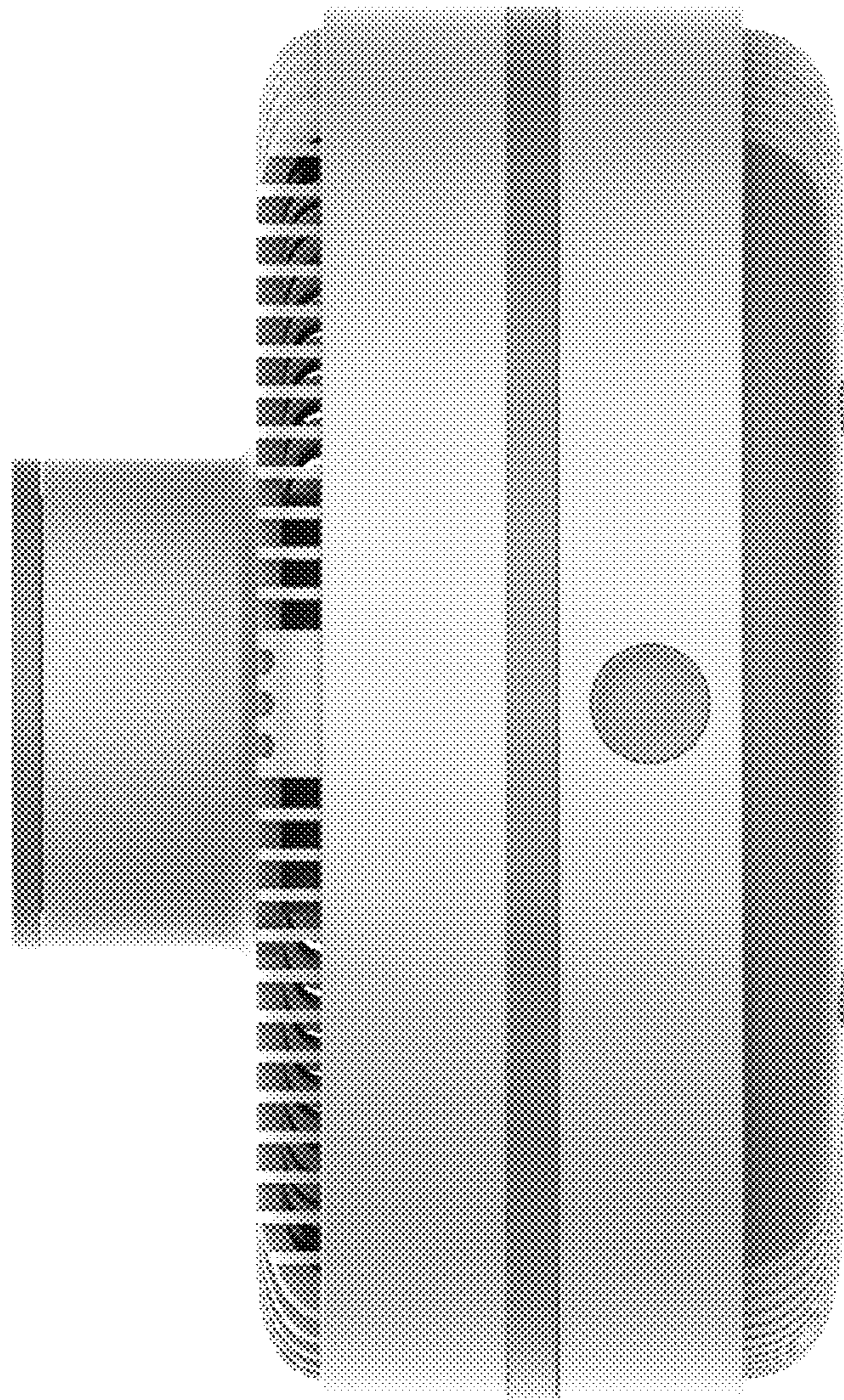
(56) **References Cited**

**U.S. PATENT DOCUMENTS**

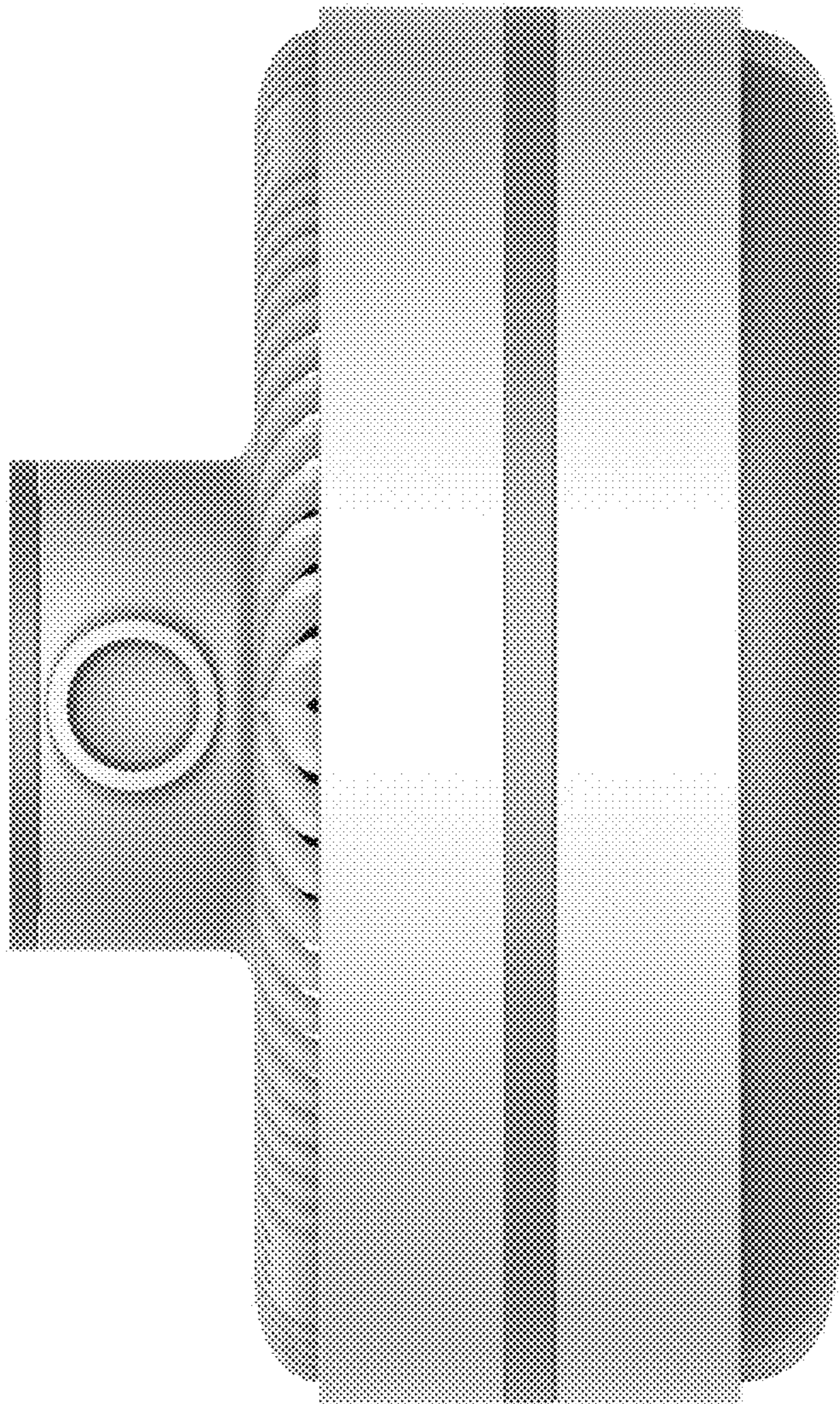
D316,599 S \* 4/1991 Wang ..... D23/378  
D341,652 S \* 11/1993 Marino ..... D23/378  
D346,440 S \* 4/1994 Chiu ..... D23/382  
D418,913 S \* 1/2000 Thakur ..... D23/382

**1 Claim, 15 Drawing Sheets**

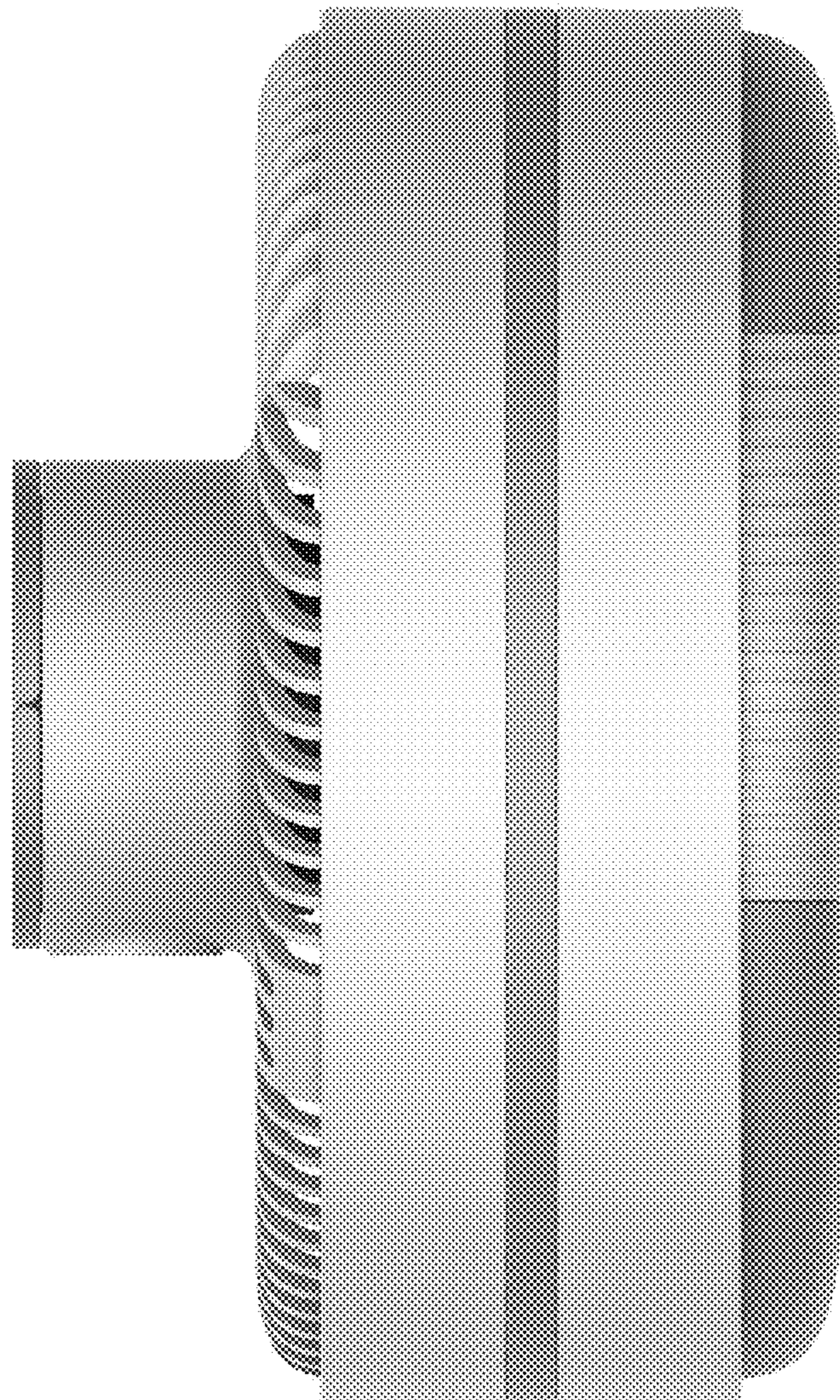




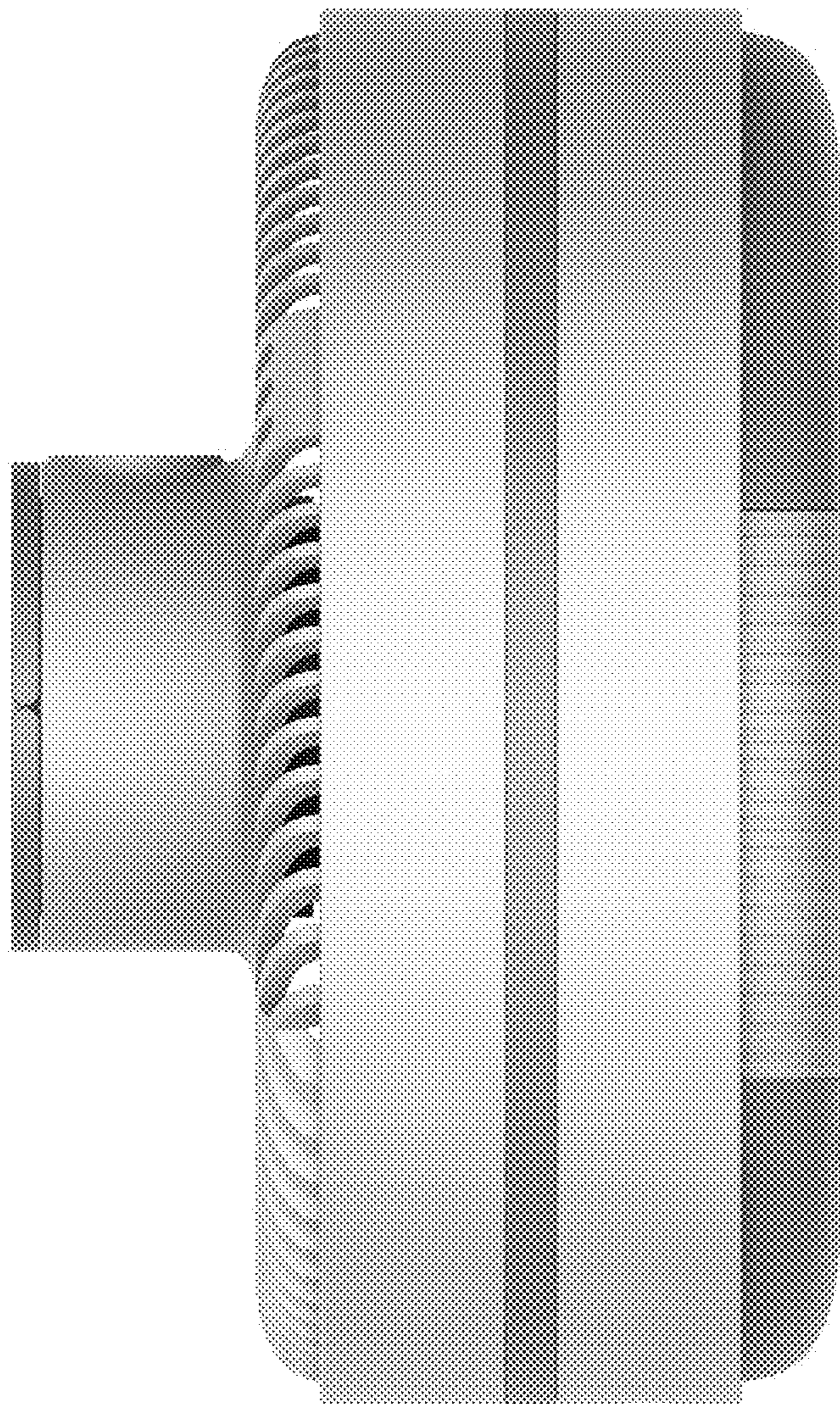
1.1



1.2

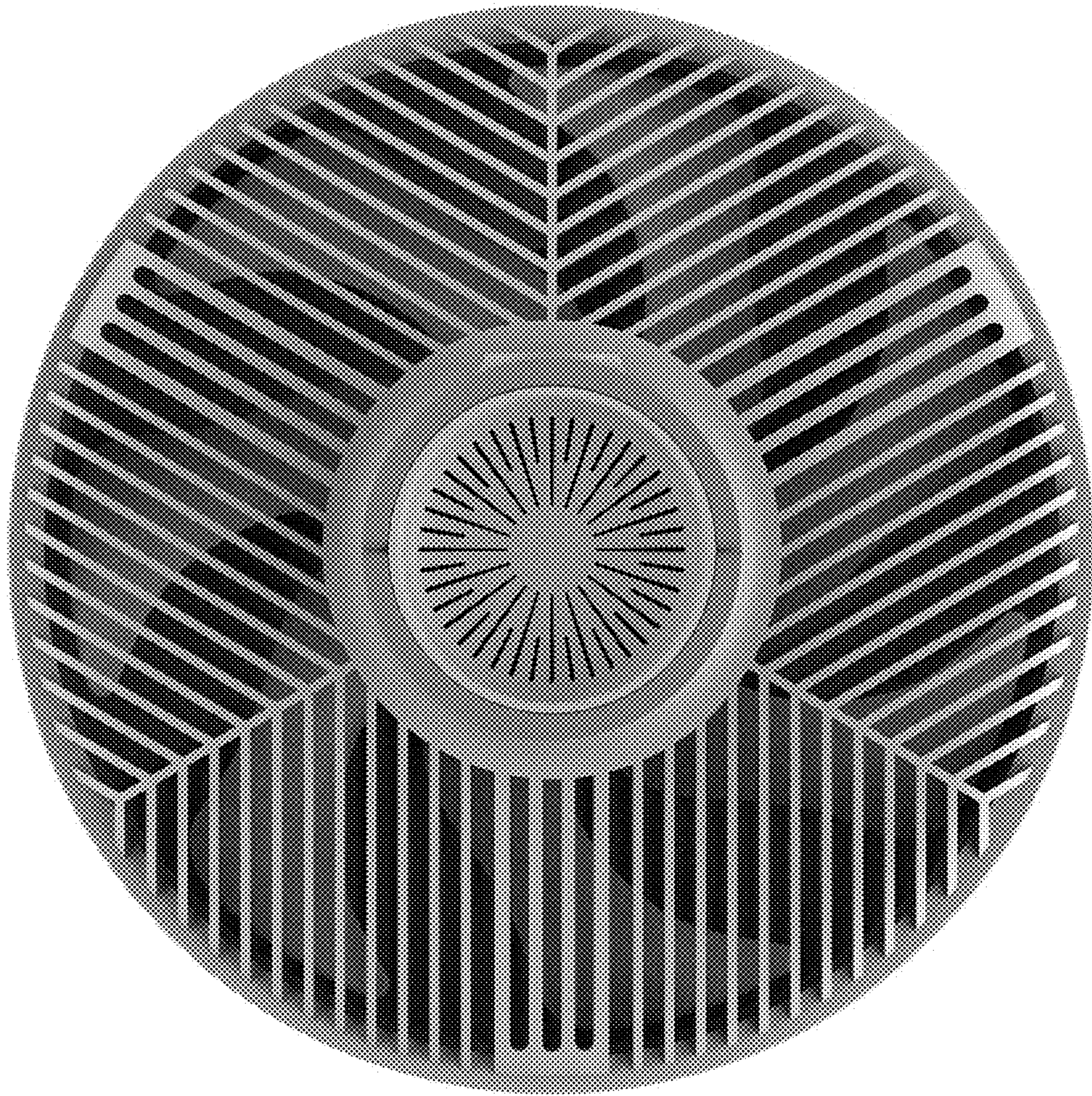


1.3

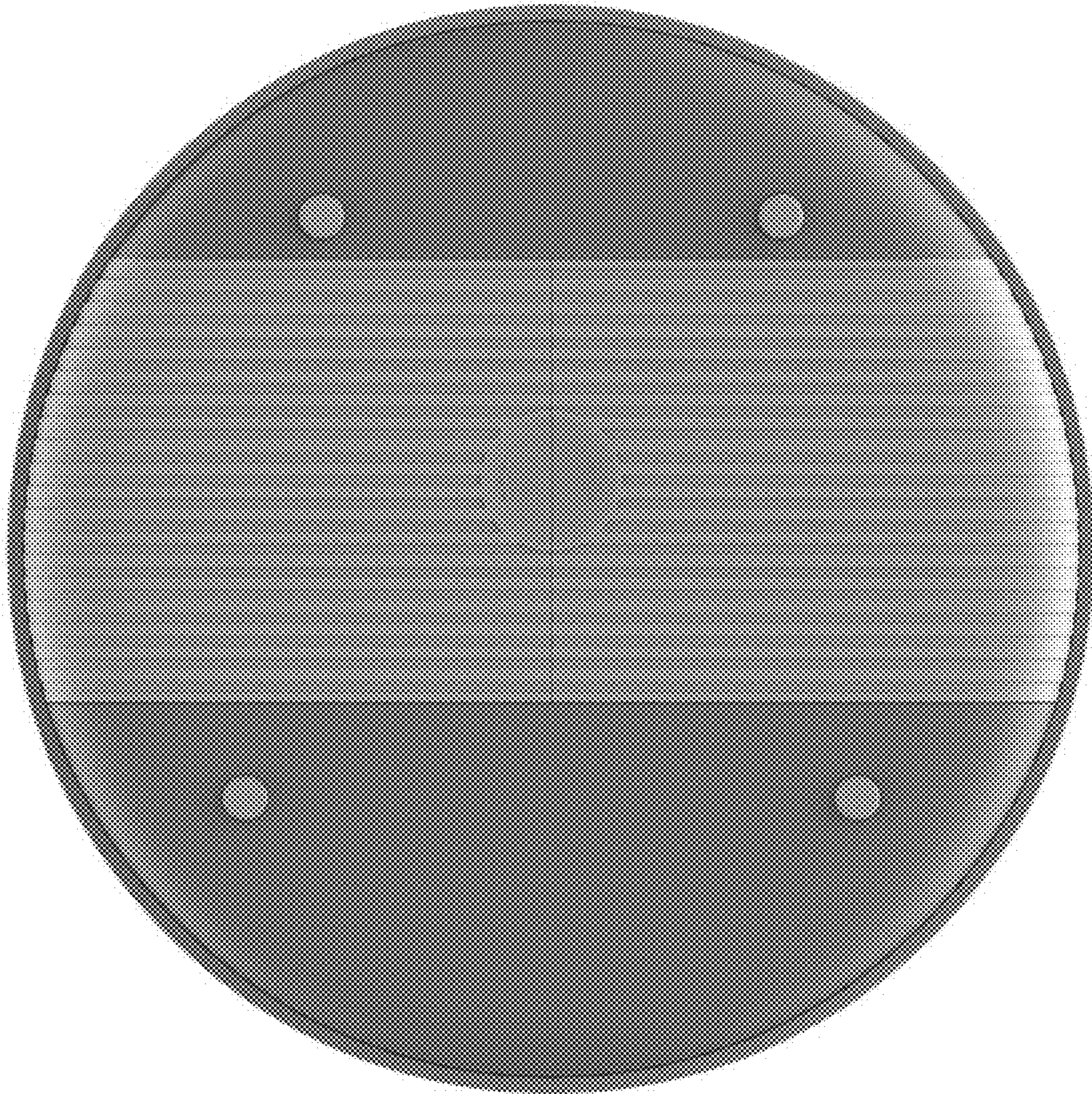


1.4

1.5



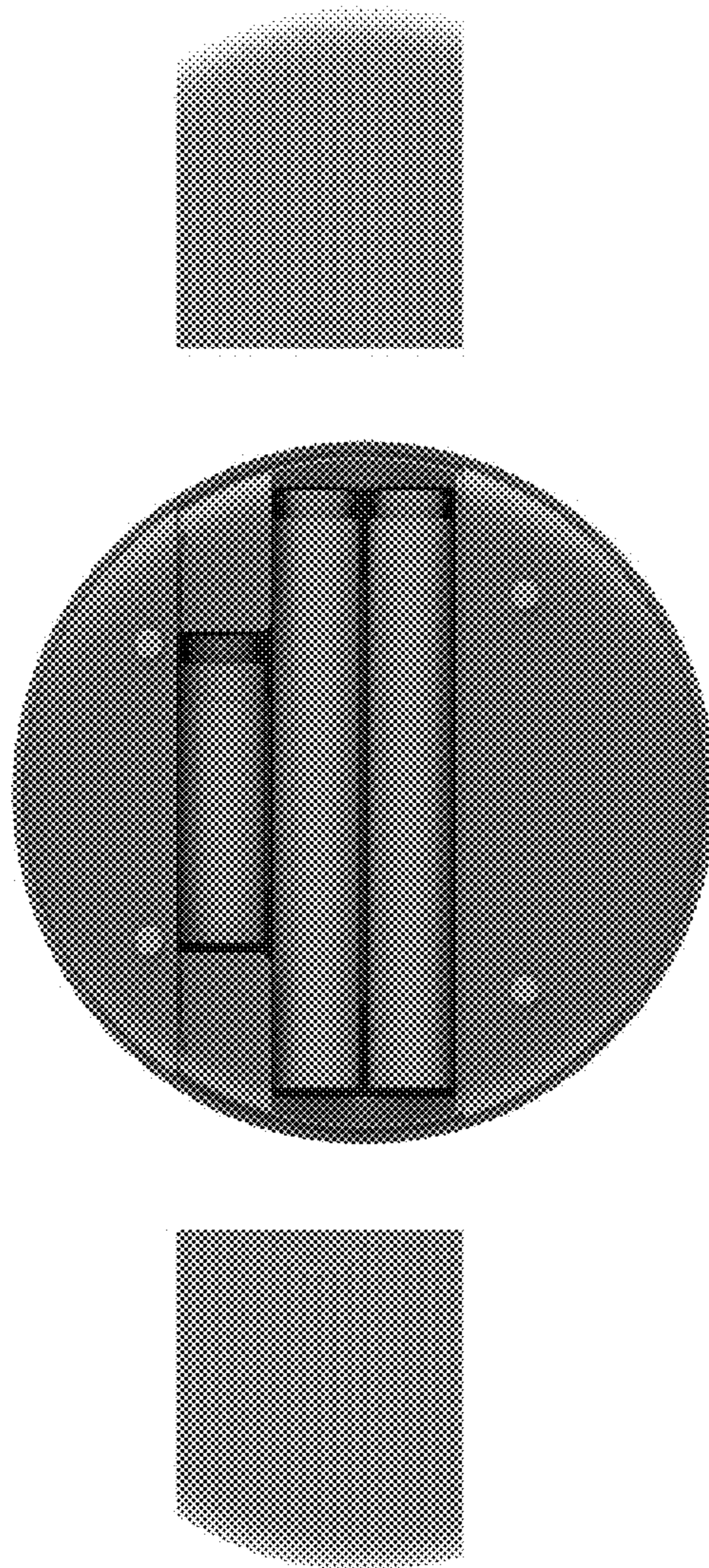
1.6





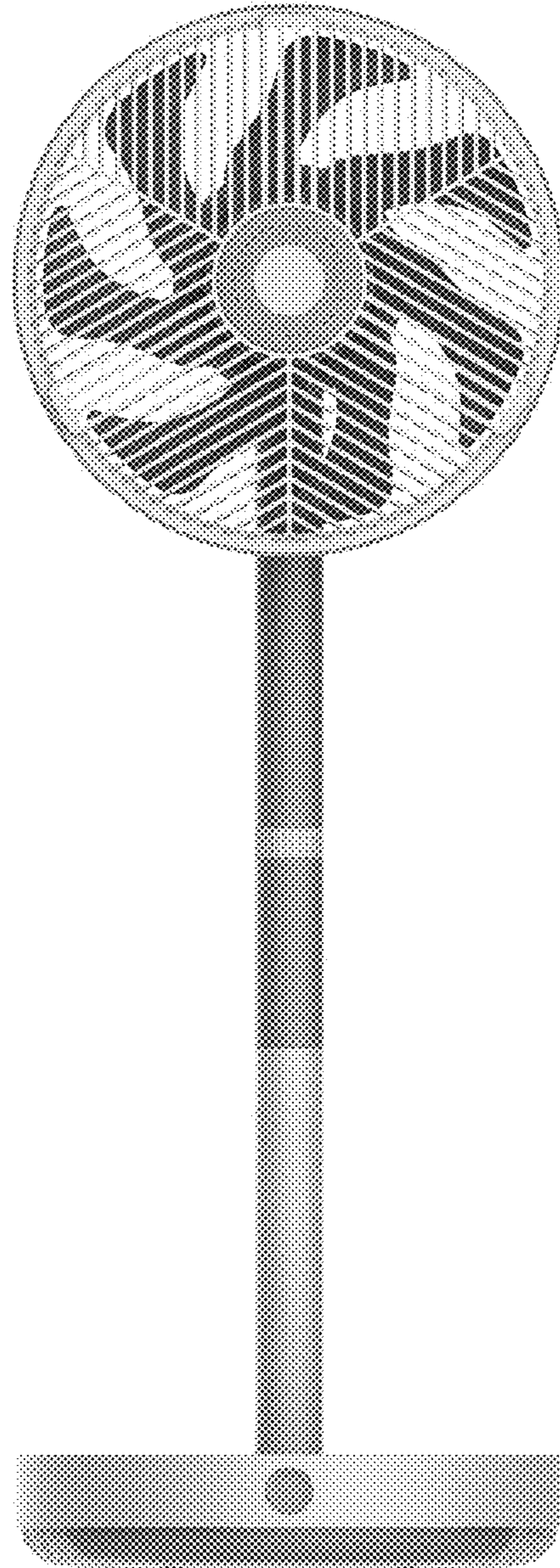
1.7



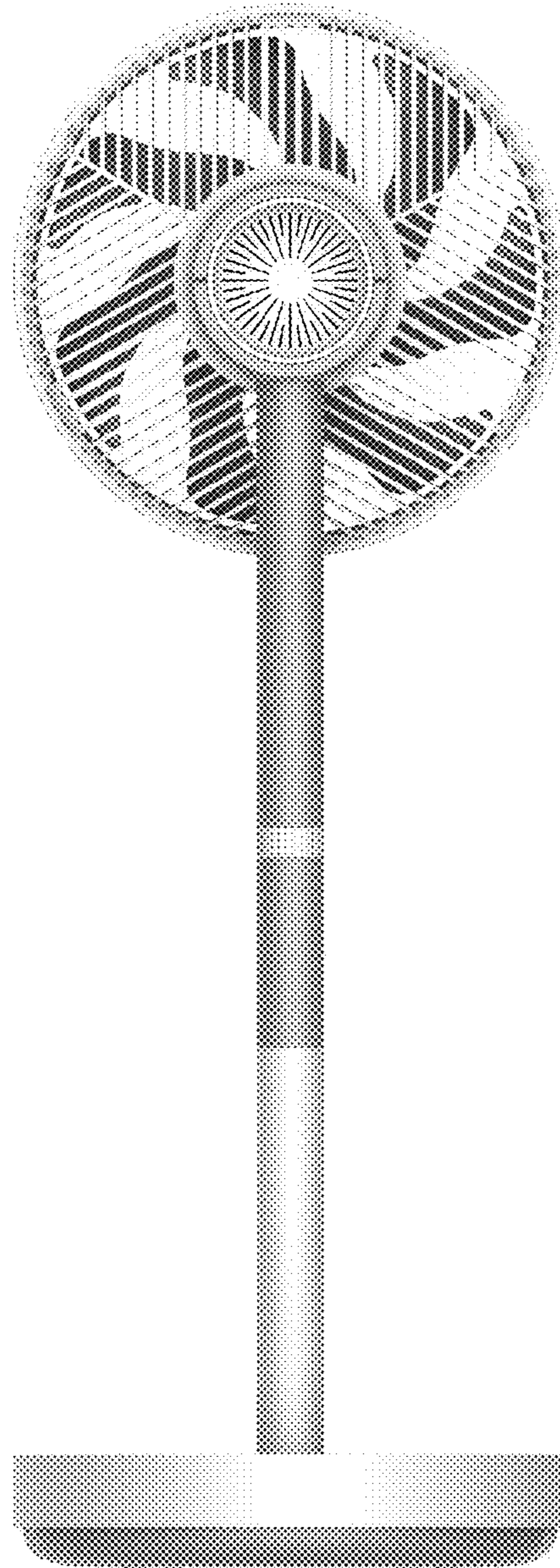


1.8

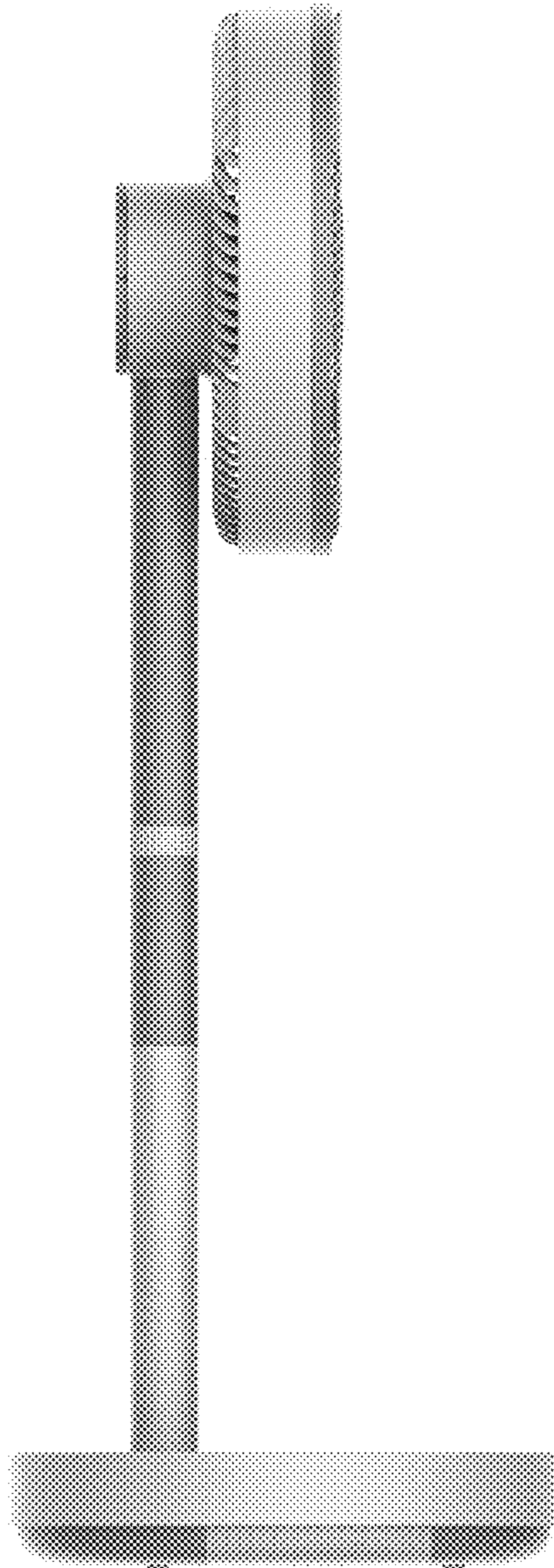
1.9



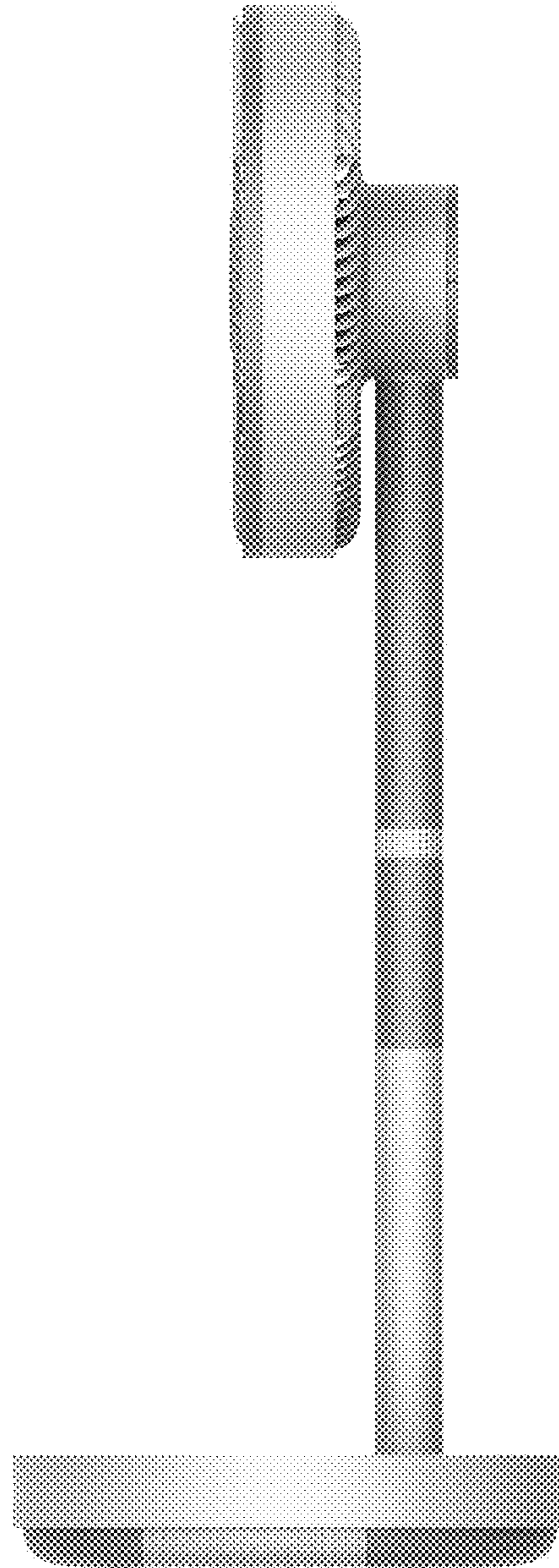
1.10



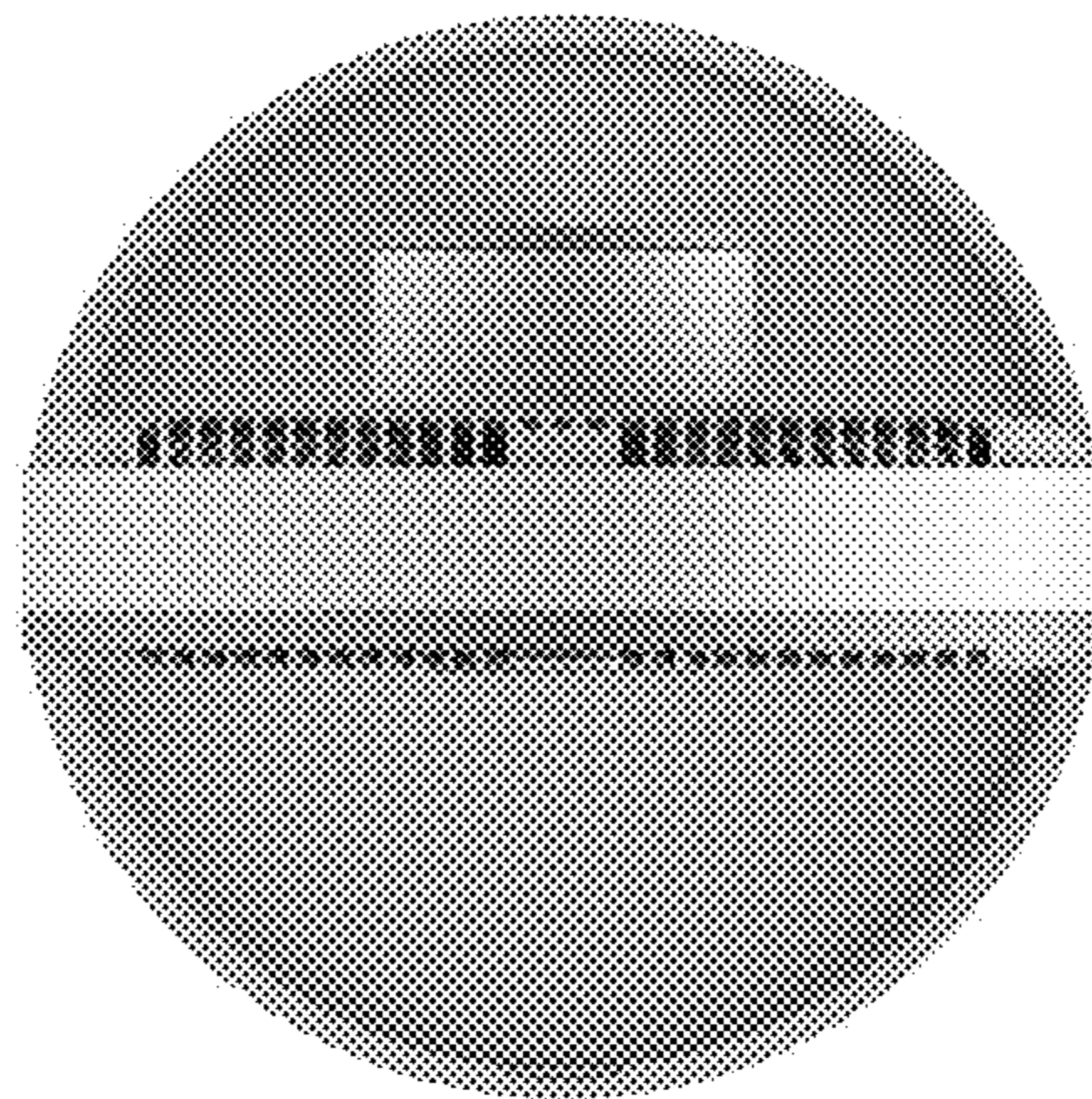
1.11



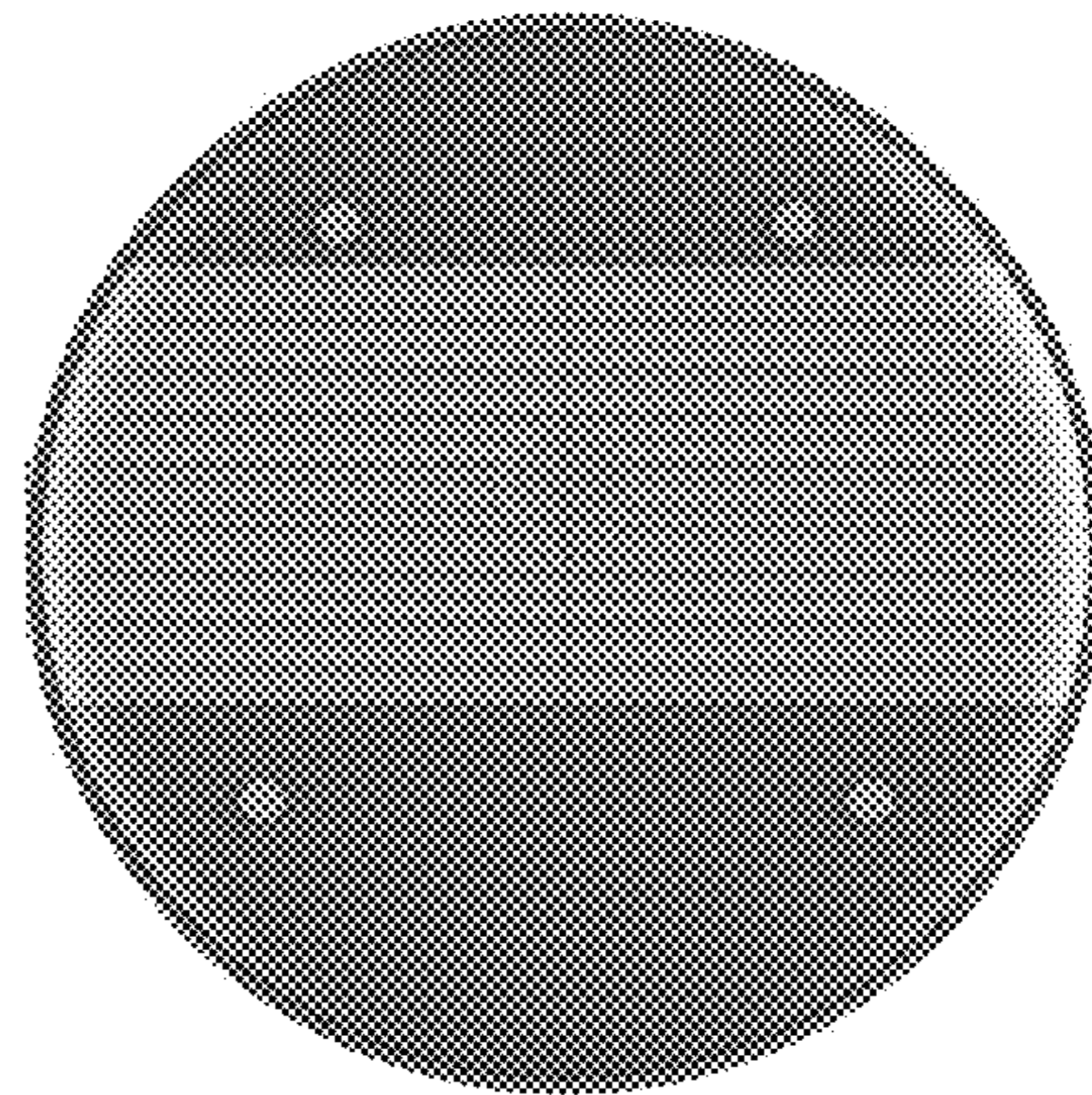
1.12



1.13



1.14



1.15

