



US00D953514S

(12) **United States Design Patent**
Mishan et al.

(10) **Patent No.:** **US D953,514 S**
(45) **Date of Patent:** **** May 31, 2022**

(54) **ELECTRIC FAN**
(71) Applicant: **E. MISHAN & SONS, INC.**, New York, NY (US)
(72) Inventors: **Isaac Mishan**, New York, NY (US);
Mohan Rajasekaran, Watertown, CT (US)
(73) Assignee: **E. Mishan & Sons, Inc.**, New York, NY (US)

D283,156 S * 3/1986 Mandelli D26/26
D539,935 S * 4/2007 Mama D26/2
D630,312 S * 1/2011 Spaulding D23/377
D689,215 S * 9/2013 Xue D26/2
D715,420 S * 10/2014 Funston D23/385
D760,368 S * 6/2016 Chen D26/59
D810,915 S * 2/2018 Guthrie D26/59
D872,252 S * 1/2020 McRoberts D23/377
D895,170 S * 9/2020 Zhang D26/2
D941,452 S * 1/2022 O'Connell D23/377
2005/0265848 A1 * 12/2005 Tseng F04D 29/601
416/210 R

(**) Term: **15 Years**

* cited by examiner

(21) Appl. No.: **29/758,009**

Primary Examiner — Sharon S Oum

(22) Filed: **Nov. 11, 2020**

(74) *Attorney, Agent, or Firm* — Notaro, Michalos & Zaccaria P.C.

(51) **LOC (13) Cl.** **23-04**

(52) **U.S. Cl.**
USPC **D23/377; D23/379**

(57) **CLAIM**

The ornamental design for an electric fan, as shown and described.

(58) **Field of Classification Search**
USPC D23/370, 377, 379, 385, 411–414;
D26/2, 59

CPC F04D 25/088; F04D 29/38; F04D 29/384;
F04D 29/386; F04D 33/0096; H02K 9/06

See application file for complete search history.

DESCRIPTION

FIG. 1 is a front elevational view of an electric fan showing our design;

FIG. 2 is a right elevational view thereof;

FIG. 3 is a left elevational view thereof;

FIG. 4 is a rear elevational view thereof;

FIG. 5 is a top plan view thereof; and,

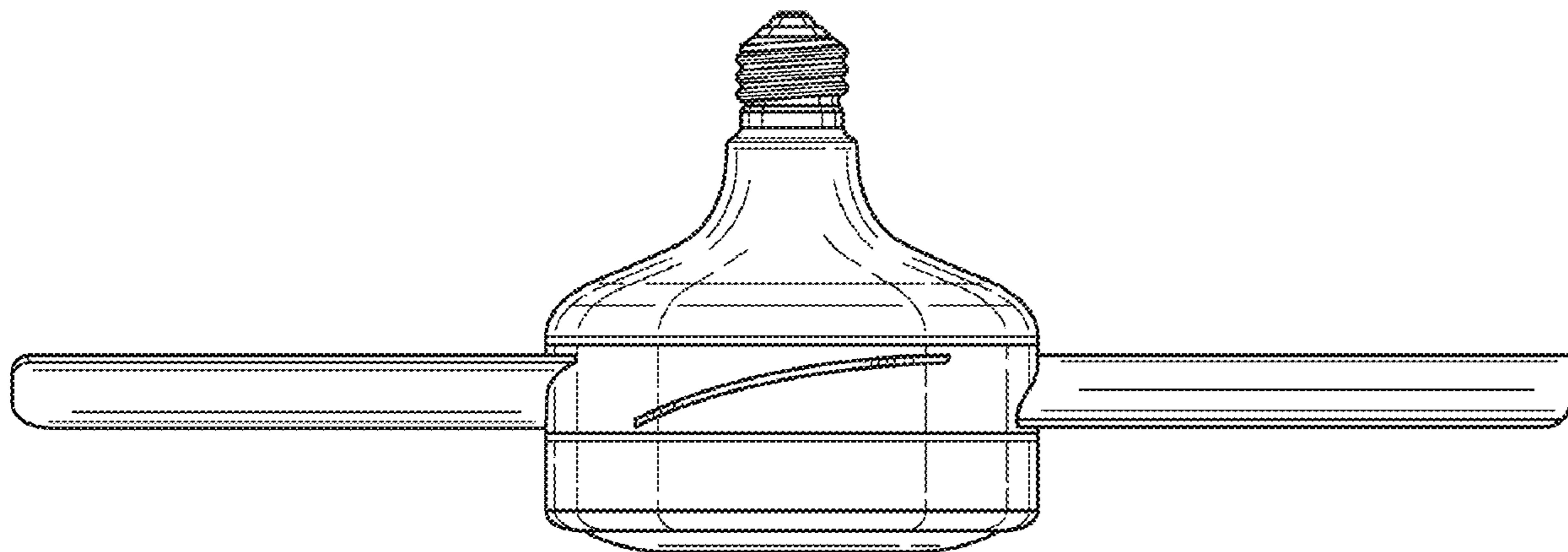
FIG. 6 is a bottom plan view thereof.

(56) **References Cited**

U.S. PATENT DOCUMENTS

1,222,837 A * 4/1917 Winslow et al. F21V 21/002
310/68 R
2,186,674 A * 1/1940 Hildebrand H02K 7/14
310/91

1 Claim, 4 Drawing Sheets



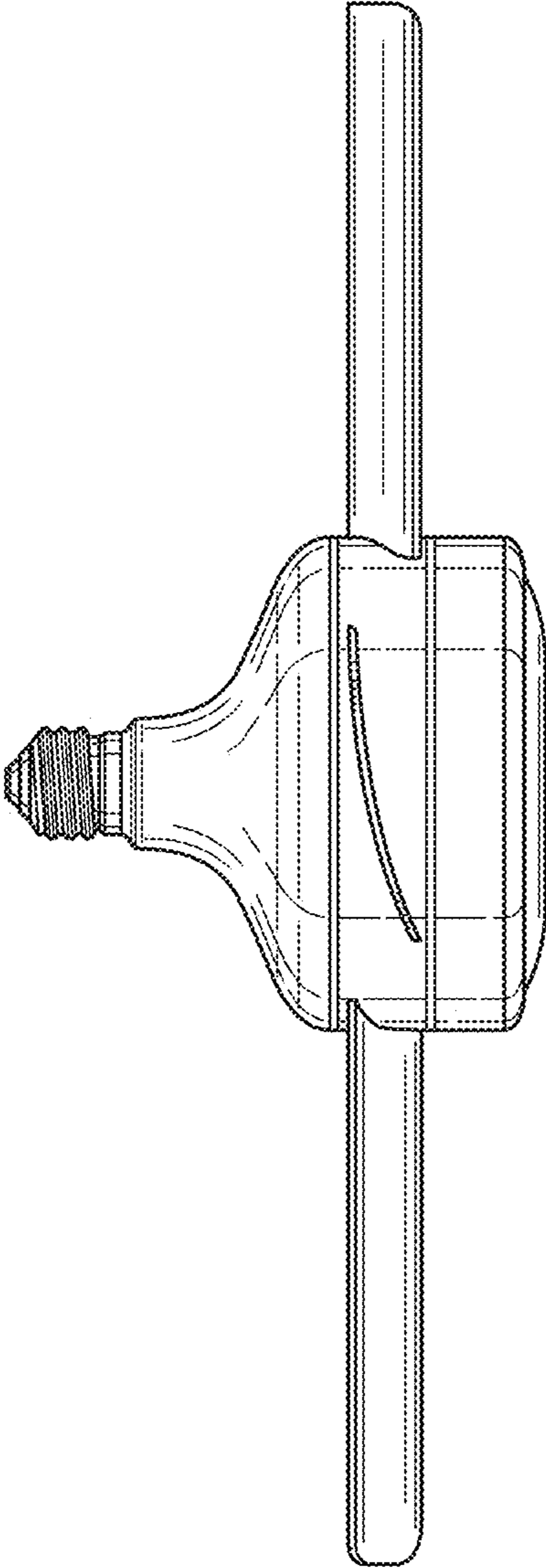


FIG. 1

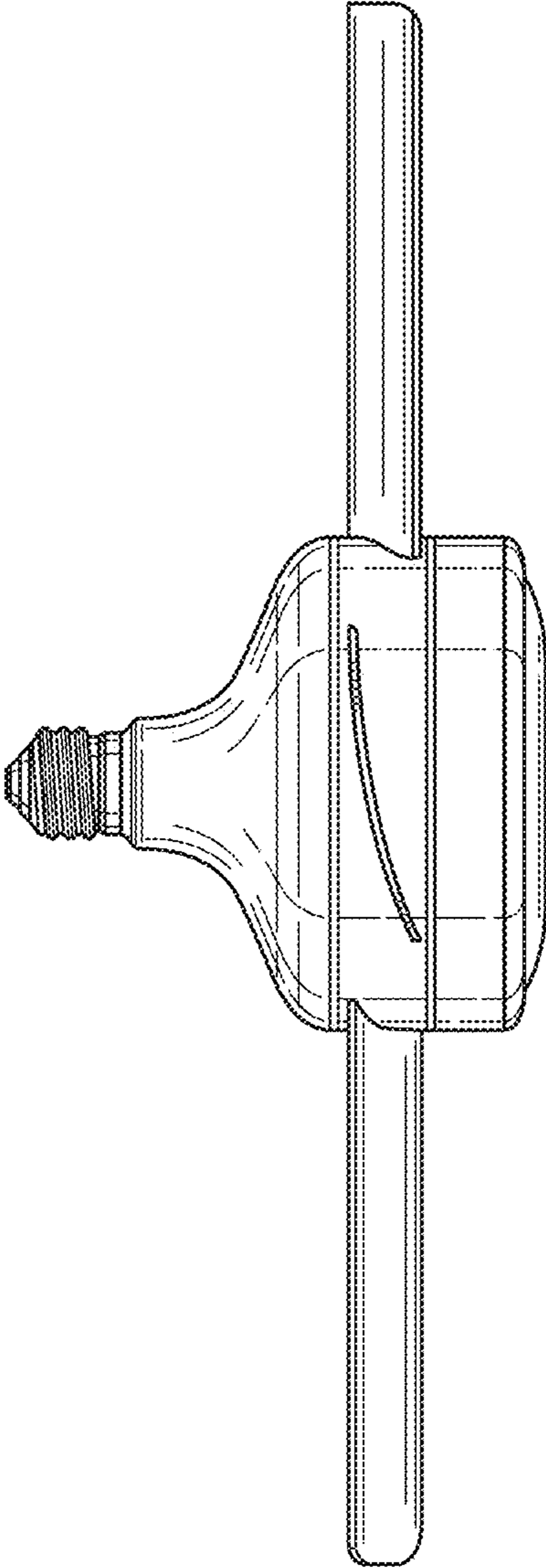


FIG. 2

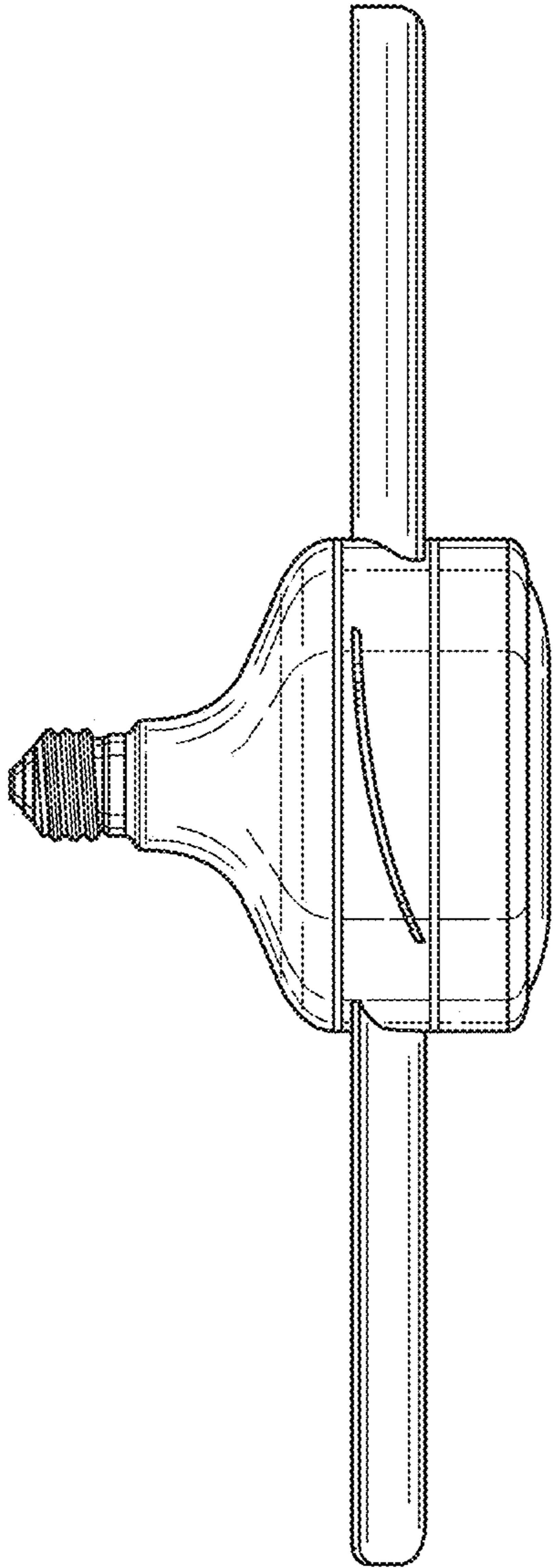


FIG. 3

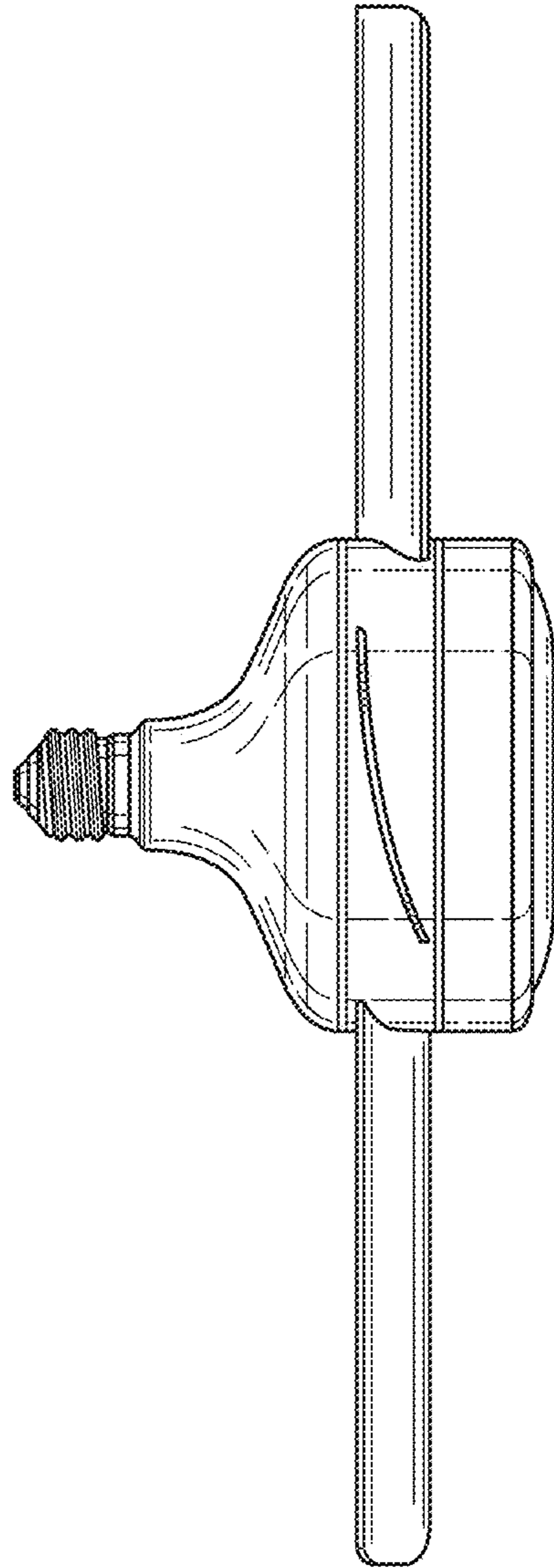


FIG. 4

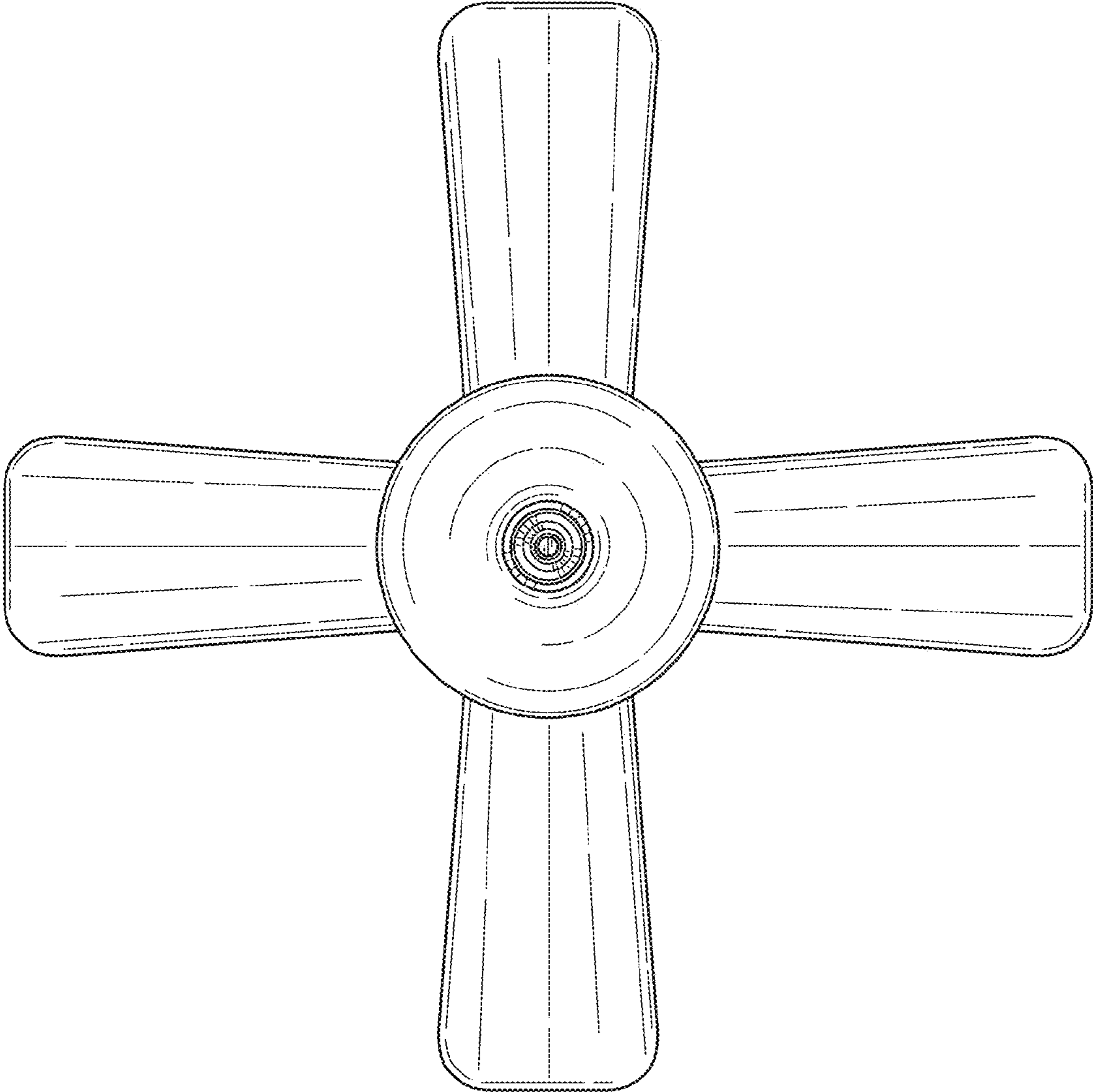


FIG. 5

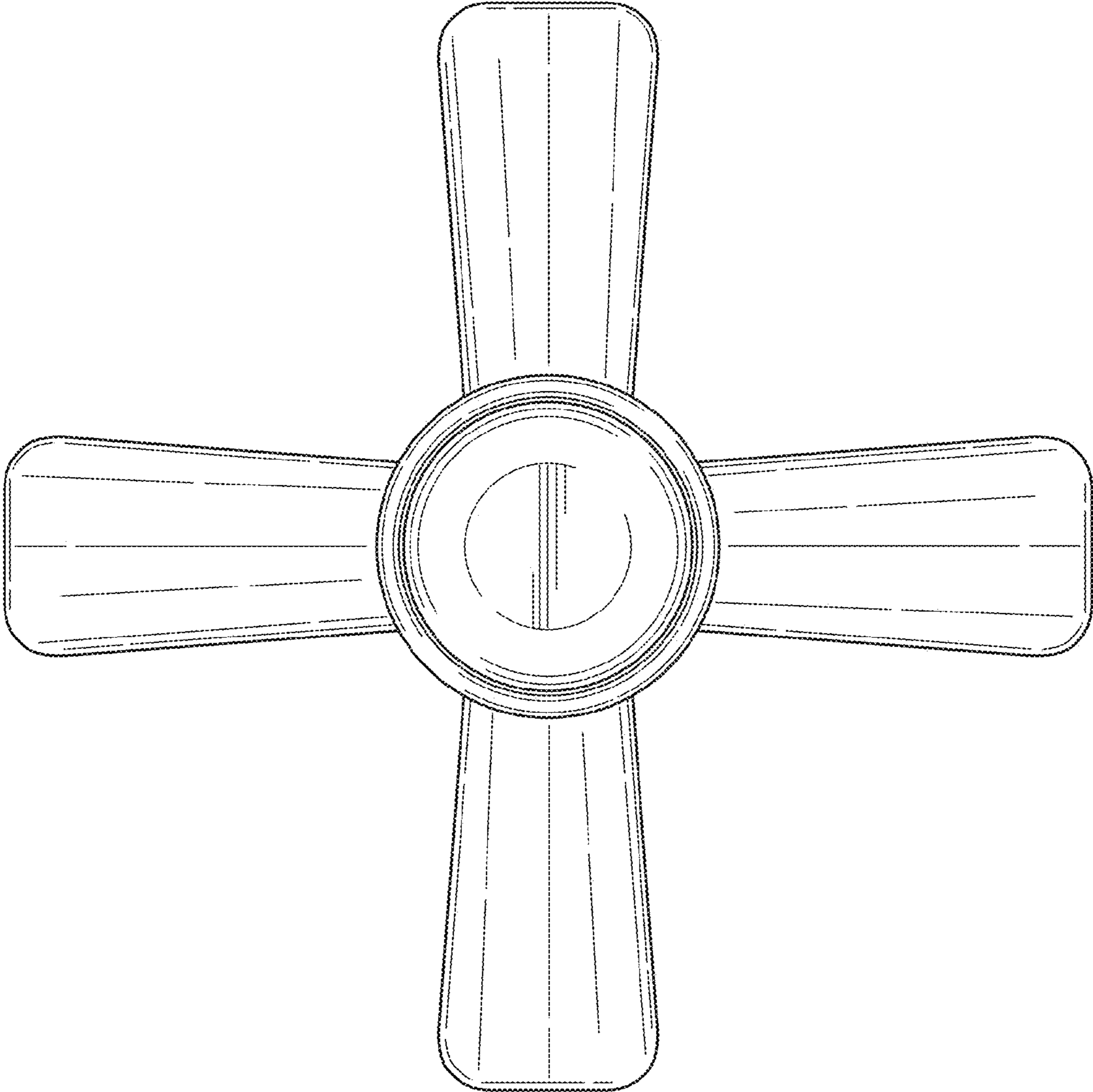


FIG. 6