



US00D953512S

(12) **United States Design Patent** (10) **Patent No.:** **US D953,512 S**  
**Liu** (45) **Date of Patent:** **\*\* May 31, 2022**

(54) **WAX MELTER**

(71) Applicant: **Qiao Liu, Yulin (CN)**

(72) Inventor: **Qiao Liu, Yulin (CN)**

(\*\*) Term: **15 Years**

(21) Appl. No.: **29/798,440**

(22) Filed: **Jul. 8, 2021**

(30) **Foreign Application Priority Data**

Jun. 21, 2021 (CN) ..... 202130383059.4

(51) **LOC (13) Cl.** ..... **23-04**

(52) **U.S. Cl.**  
USPC ..... **D23/366**

(58) **Field of Classification Search**  
USPC ..... D23/314, 325, 333-336, 355, 356, 359,  
D23/364, 366, 367  
CPC . A61L 9/03; A61L 9/012; A61L 9/015; A61L  
9/037  
See application file for complete search history.

(56) **References Cited**

**U.S. PATENT DOCUMENTS**

- 7,133,605 B2 \* 11/2006 Niemeyer ..... F27D 19/00  
392/390
- 8,901,461 B1 \* 12/2014 Shotey ..... A61F 7/0085  
219/428
- D756,497 S \* 5/2016 Norman ..... D23/355
- D829,312 S \* 9/2018 Riering-Czekalla ..... D23/364
- D834,694 S 11/2018 Walter et al.
- D838,825 S \* 1/2019 Sullivan ..... D23/366

- D846,010 S \* 4/2019 Wang ..... D15/144.2
- D846,106 S \* 4/2019 Hu ..... D23/366
- D885,550 S \* 5/2020 Avedon ..... D23/370
- D919,064 S \* 5/2021 Wang ..... D23/356
- D919,071 S \* 5/2021 Zheng ..... D23/364
- D929,558 S \* 8/2021 Leyden ..... D23/366
- D935,075 S \* 11/2021 Wei ..... F21L 4/00  
D26/40
- D935,593 S \* 11/2021 Andres ..... D23/366
- D943,819 S \* 2/2022 Pinto ..... D27/162
- 2015/0283280 A1 \* 10/2015 Belongia ..... A61L 9/03  
392/386
- 2018/0070698 A1 \* 3/2018 Bartlett ..... A45D 26/0014

\* cited by examiner

*Primary Examiner* — John A Voytek

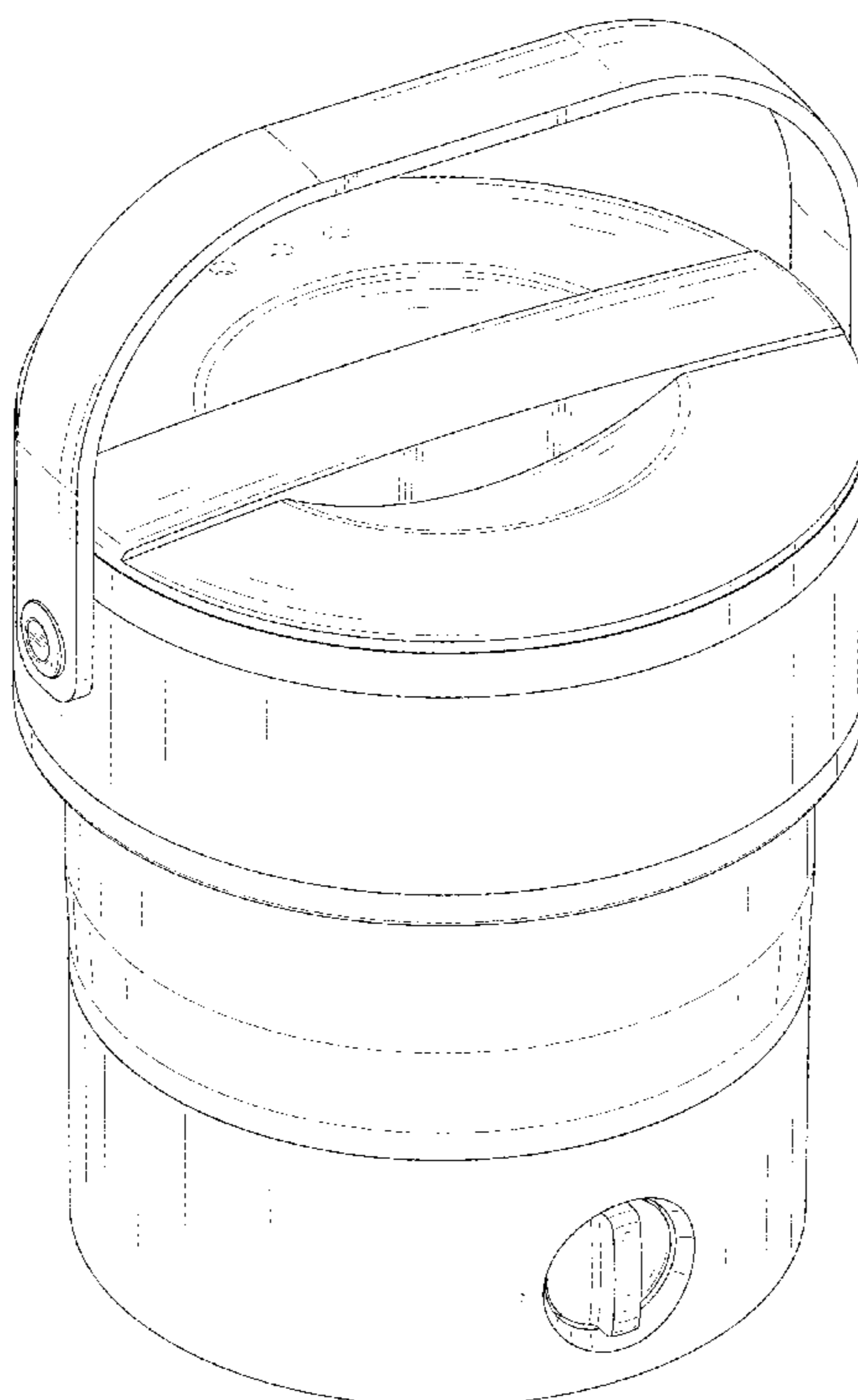
(57) **CLAIM**

The ornamental design for a wax melter, as shown and described.

**DESCRIPTION**

FIG. 1 is a perspective view of a wax melter showing my new design;  
 FIG. 2 is another perspective view thereof;  
 FIG. 3 is a front elevational view thereof;  
 FIG. 4 is a rear elevational view thereof;  
 FIG. 5 is a left side elevational view thereof;  
 FIG. 6 is a right side elevational view thereof;  
 FIG. 7 is a top plan view thereof; and,  
 FIG. 8 is a bottom plan view thereof.  
 The broken lines in the drawings depict portions of the wax melter that form no part of the claimed design.

**1 Claim, 8 Drawing Sheets**



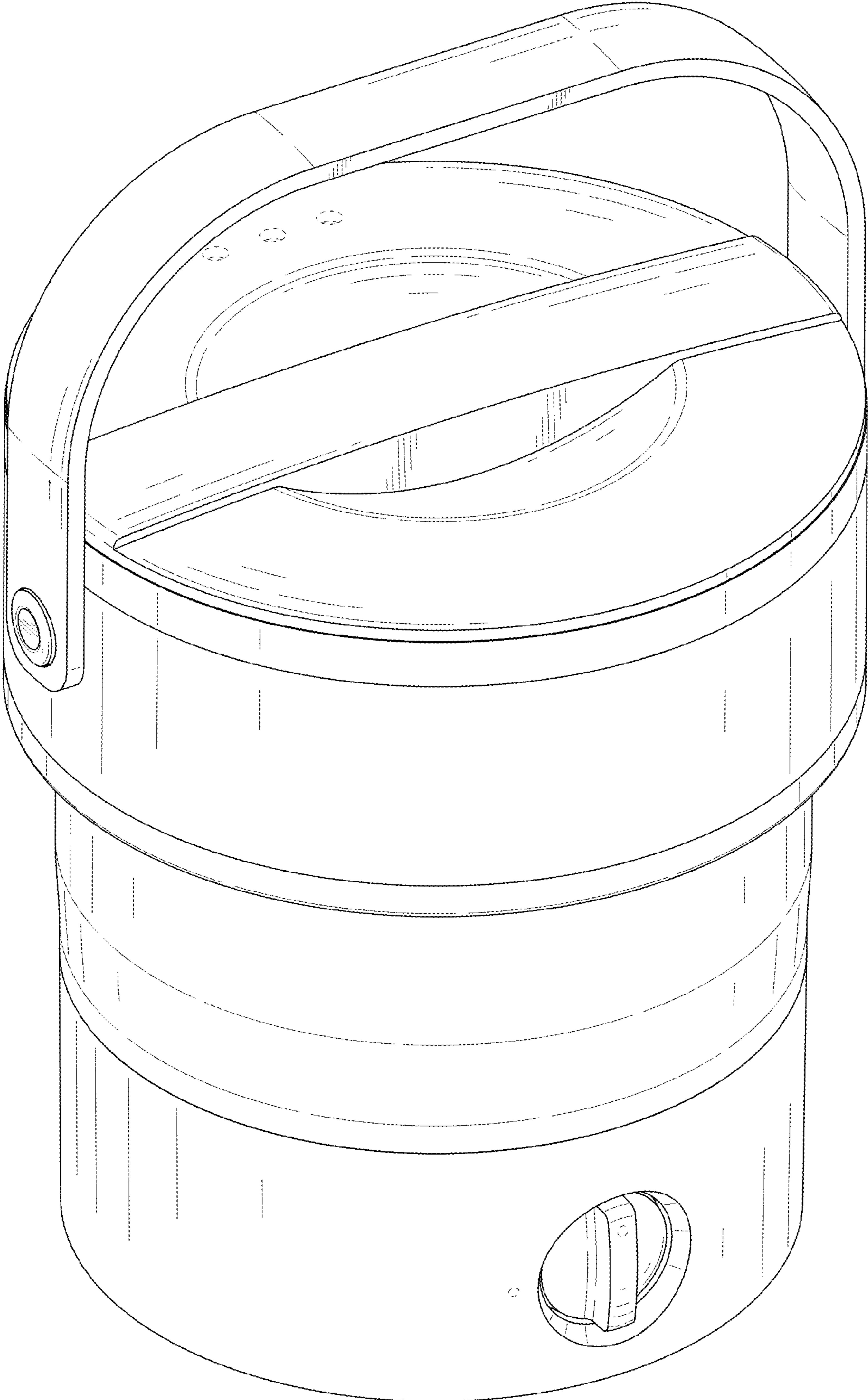


FIG. 1

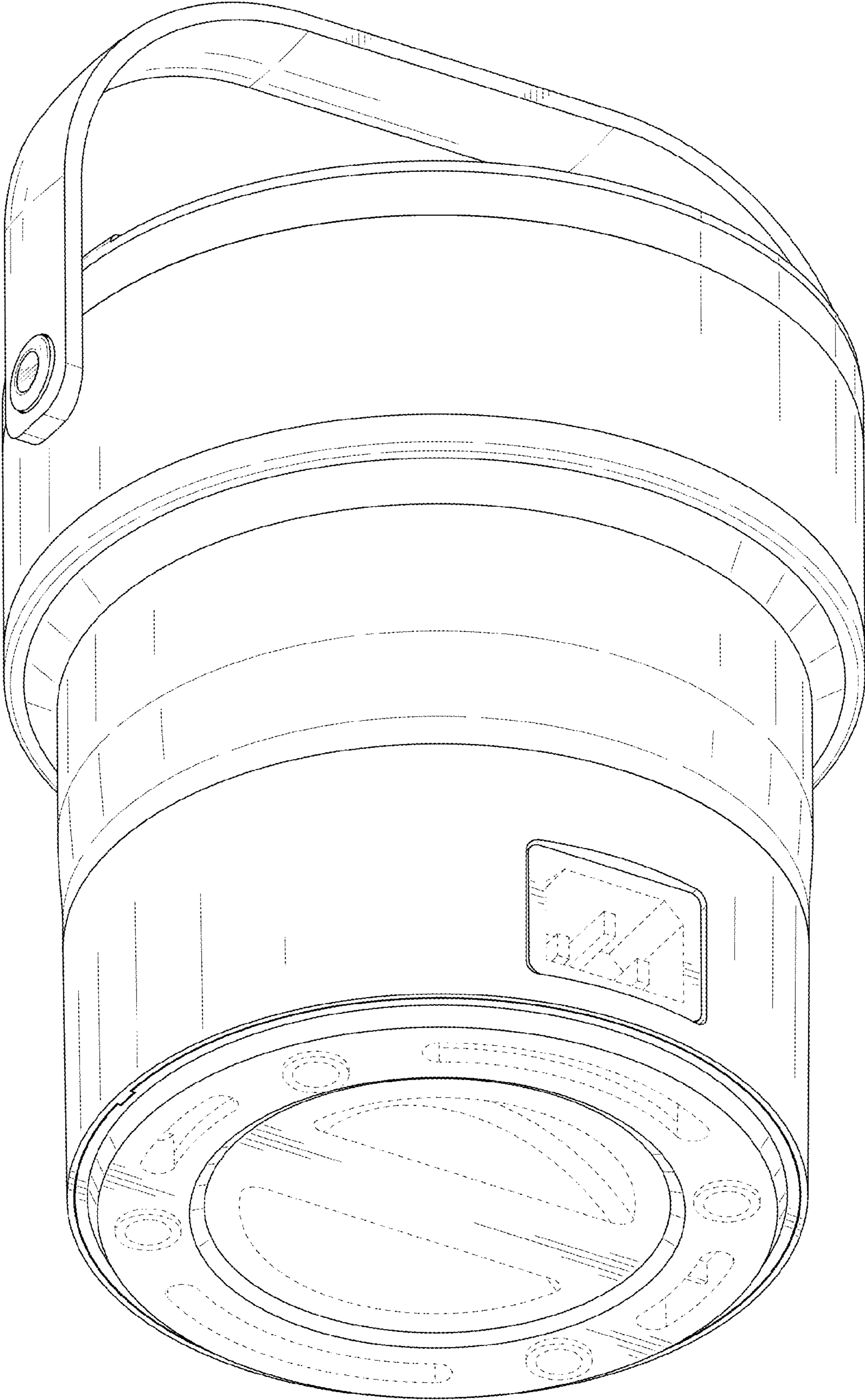


FIG. 2



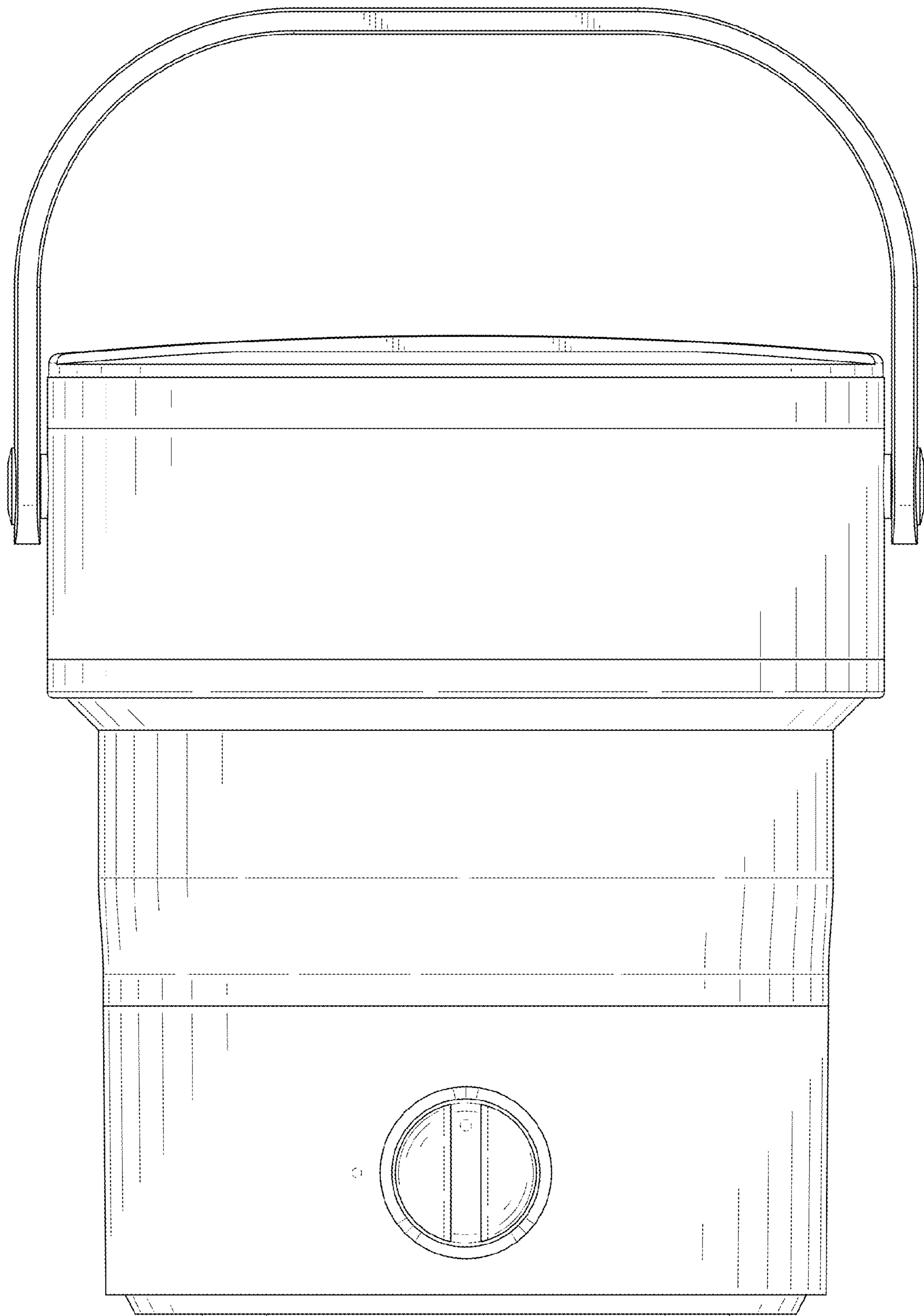


FIG. 3

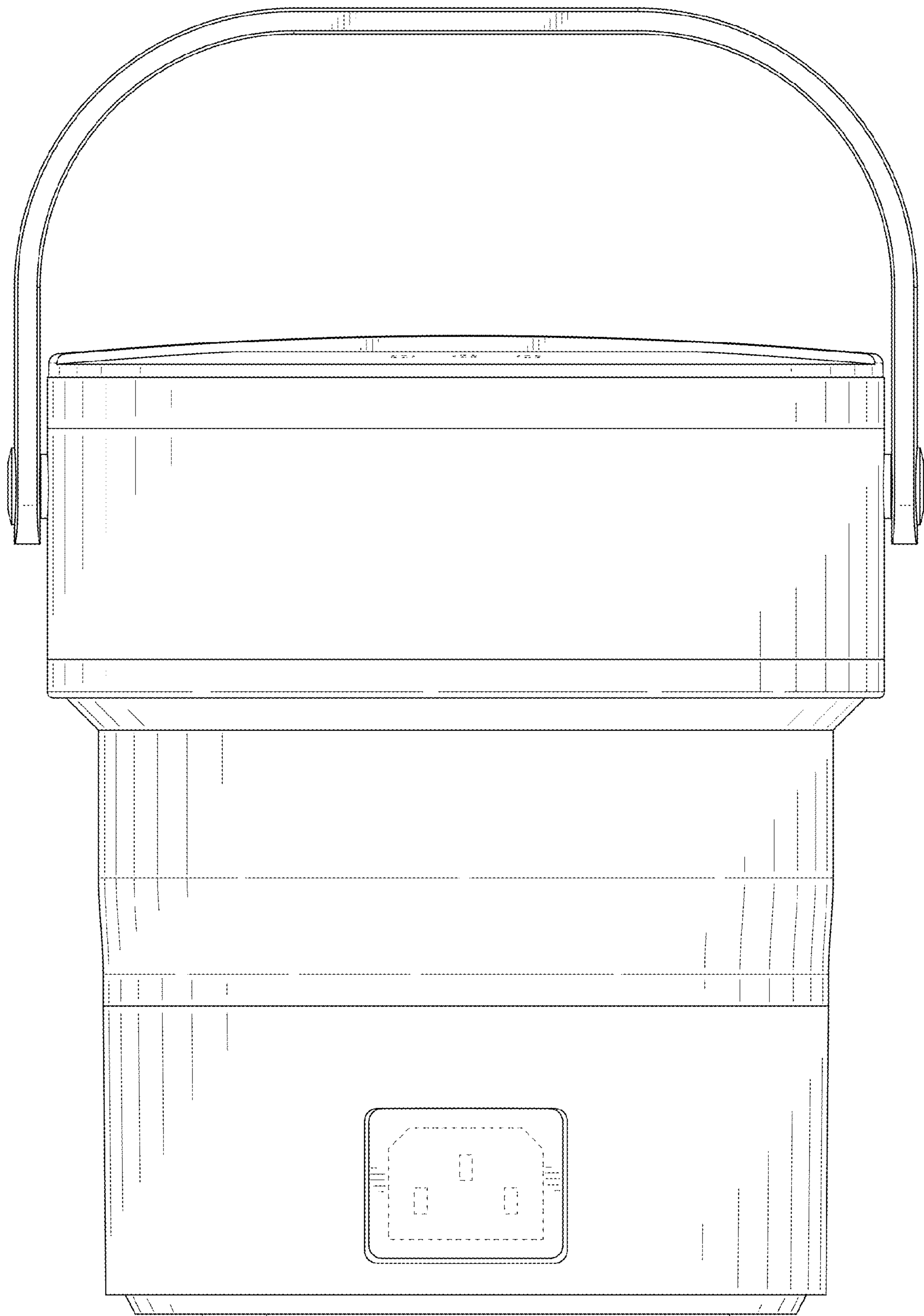


FIG. 4

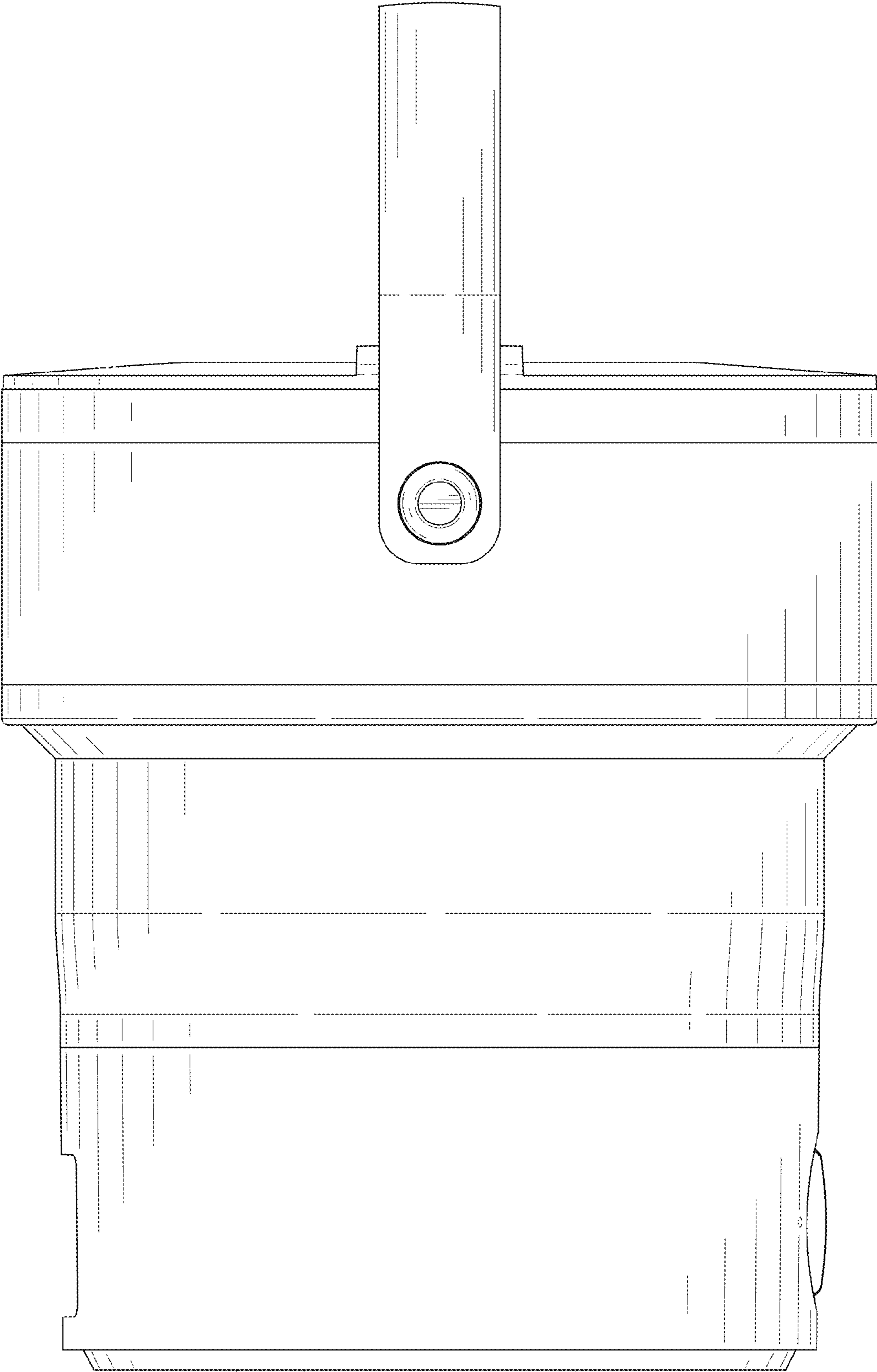


FIG. 5

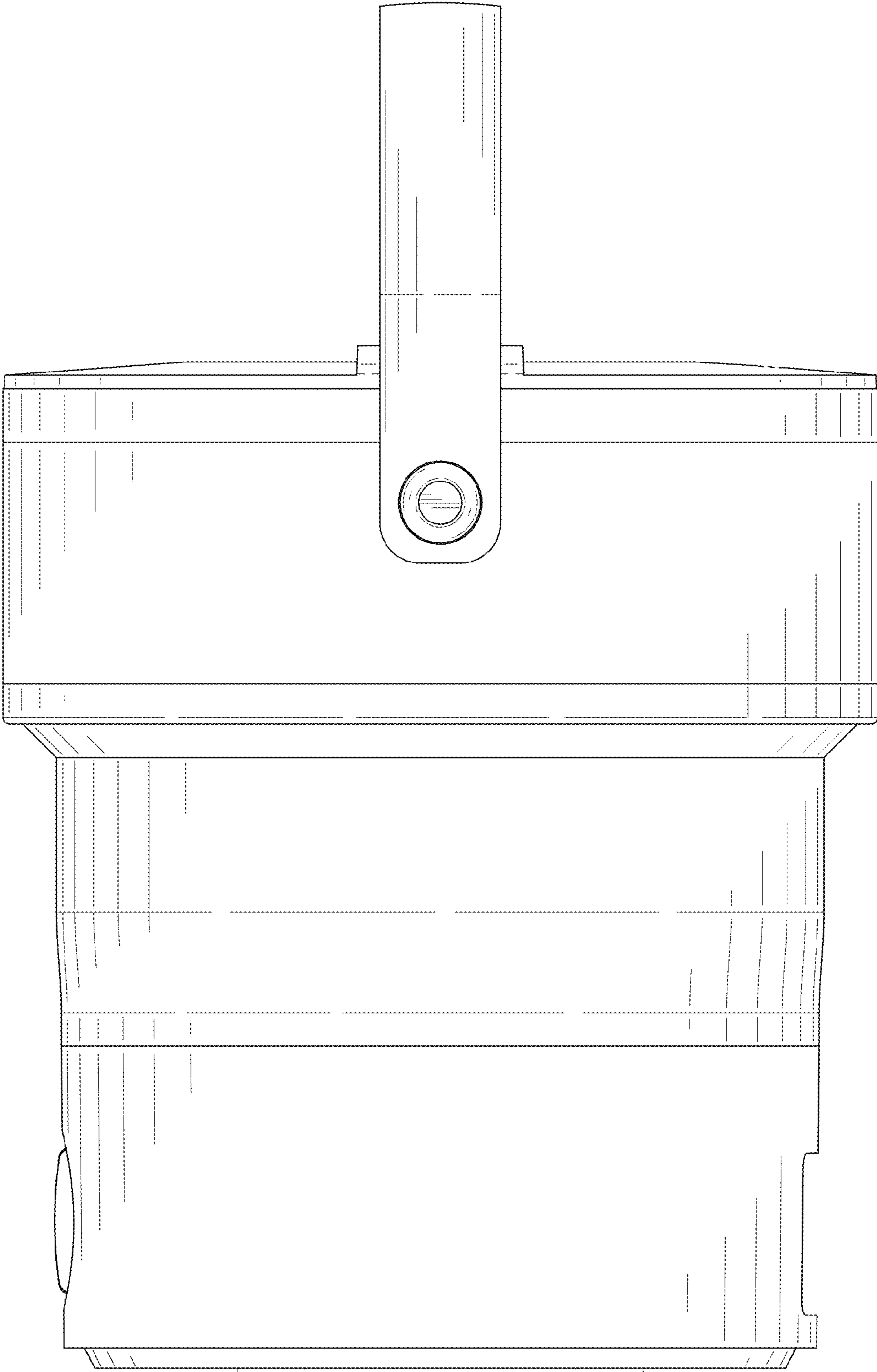


FIG. 6

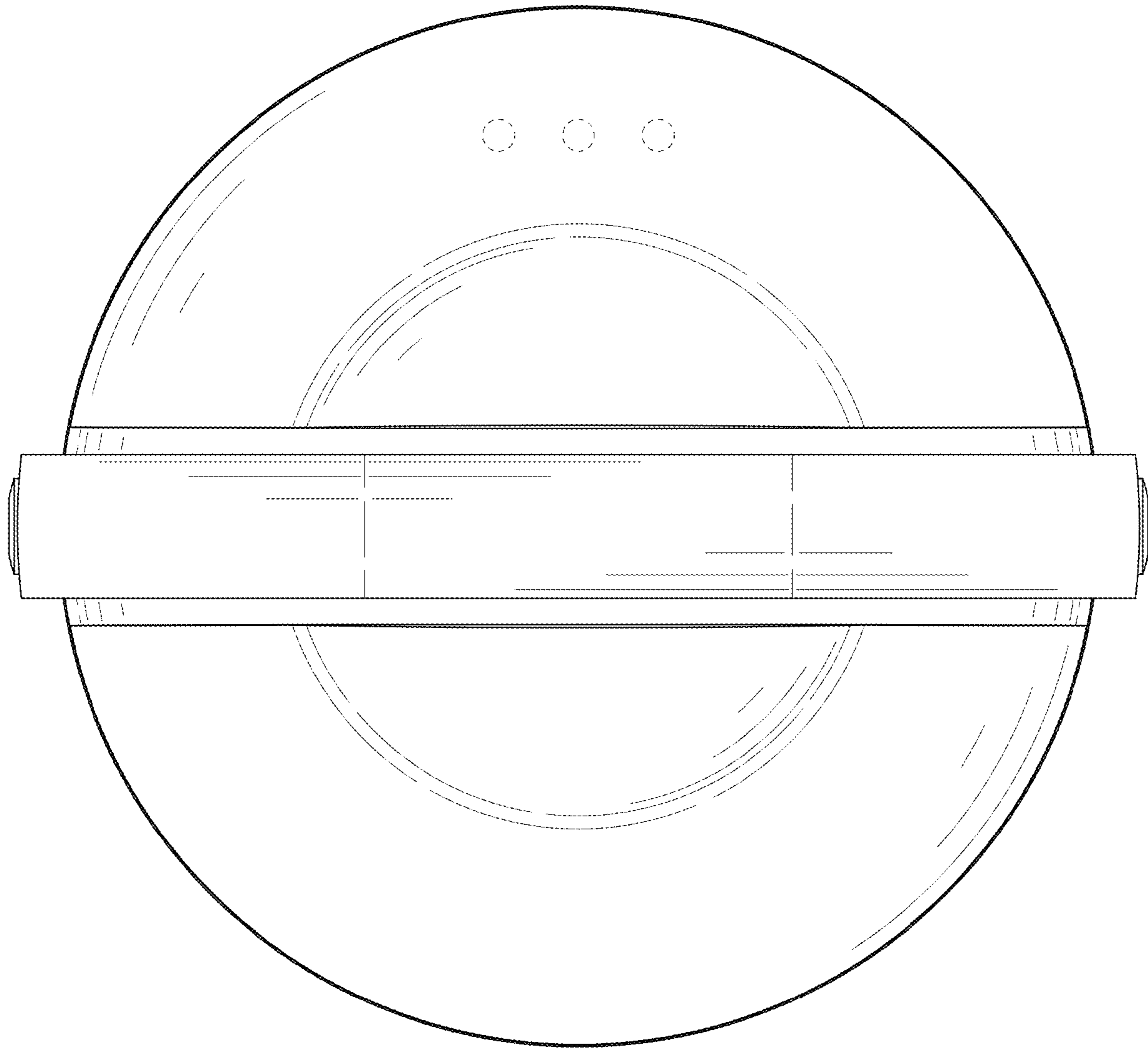


FIG. 7



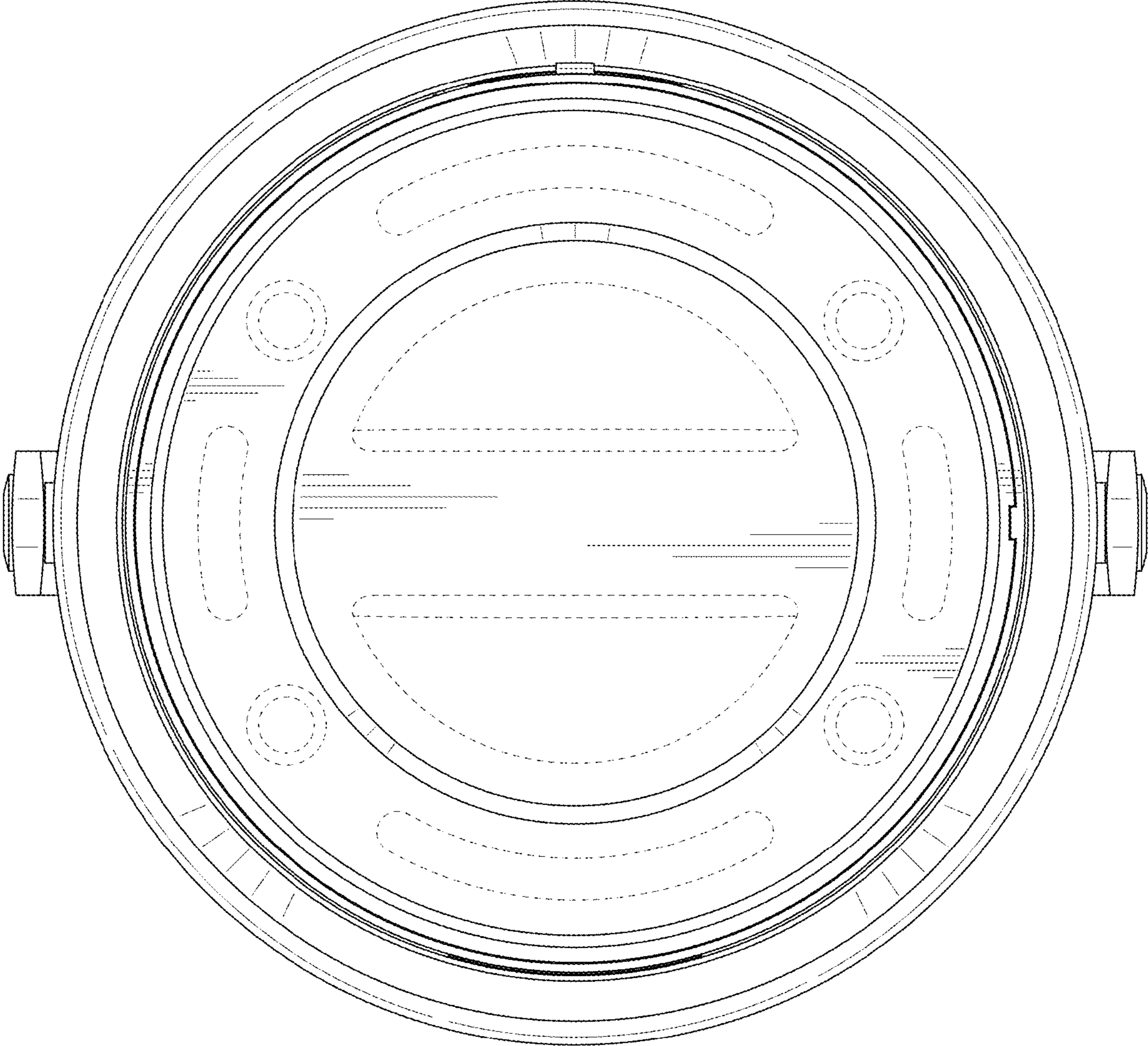


FIG. 8