



US00D953511S

(12) **United States Design Patent** (10) **Patent No.:** **US D953,511 S**  
**Xu** (45) **Date of Patent:** **\*\* May 31, 2022**

(54) **AROMATHERAPY DISPENSER**  
(71) Applicant: **SHENZHEN KAICHUANG ZHIBO TECHNOLOGY CO., LTD.**, Shenzhen (CN)  
(72) Inventor: **Lei Xu**, Shenzhen (CN)  
(73) Assignee: **SHENZHEN KAICHUANG ZHIBO TECHNOLOGY CO., LTD.**, Shenzhen (CN)  
(\*\*) Term: **15 Years**  
(21) Appl. No.: **29/736,760**  
(22) Filed: **Jun. 2, 2020**  
(51) **LOC (13) Cl.** ..... **23-04**  
(52) **U.S. Cl.**  
USPC ..... **D23/366**  
(58) **Field of Classification Search**  
USPC ..... D7/509, 510; D11/143, 152; D14/195, D14/204, 221, 228; D23/207, 208, 209, D23/213, 223, 333, 335, 336, 351, 352, D23/353, 355, 356, 359, 360, 362, D23/364-366; D24/108, 112, 129; D26/26, 37, 40, 46, 49  
CPC ..... F24F 6/00; F24F 6/06; F24F 1/00; F24F 1/02; F24F 1/022; A47G 7/06; A61M 11/02; A61M 11/041; A61L 9/00; A61L 9/03; A61L 9/12; A61L 9/122; A61L 2209/11; A61L 2209/14; A61L 2209/133; Y10S 261/17; Y10S 261/88; Y10S 261/89; B01D 46/10; B01D 46/0005; B01D 46/2411

See application file for complete search history.

(56) **References Cited**  
U.S. PATENT DOCUMENTS  
D509,893 S \* 9/2005 Sevy ..... D23/366  
D553,231 S \* 10/2007 Li ..... D23/366  
D696,763 S \* 12/2013 Li ..... D23/366  
D698,910 S \* 2/2014 Lin ..... D23/366  
D810,261 S \* 2/2018 Chen ..... D23/366  
D811,570 S \* 2/2018 Tang ..... D23/356  
D813,367 S \* 3/2018 Situ ..... D23/366  
D939,070 S \* 12/2021 Yang ..... D23/356  
D944,382 S \* 2/2022 Zhang ..... D23/366

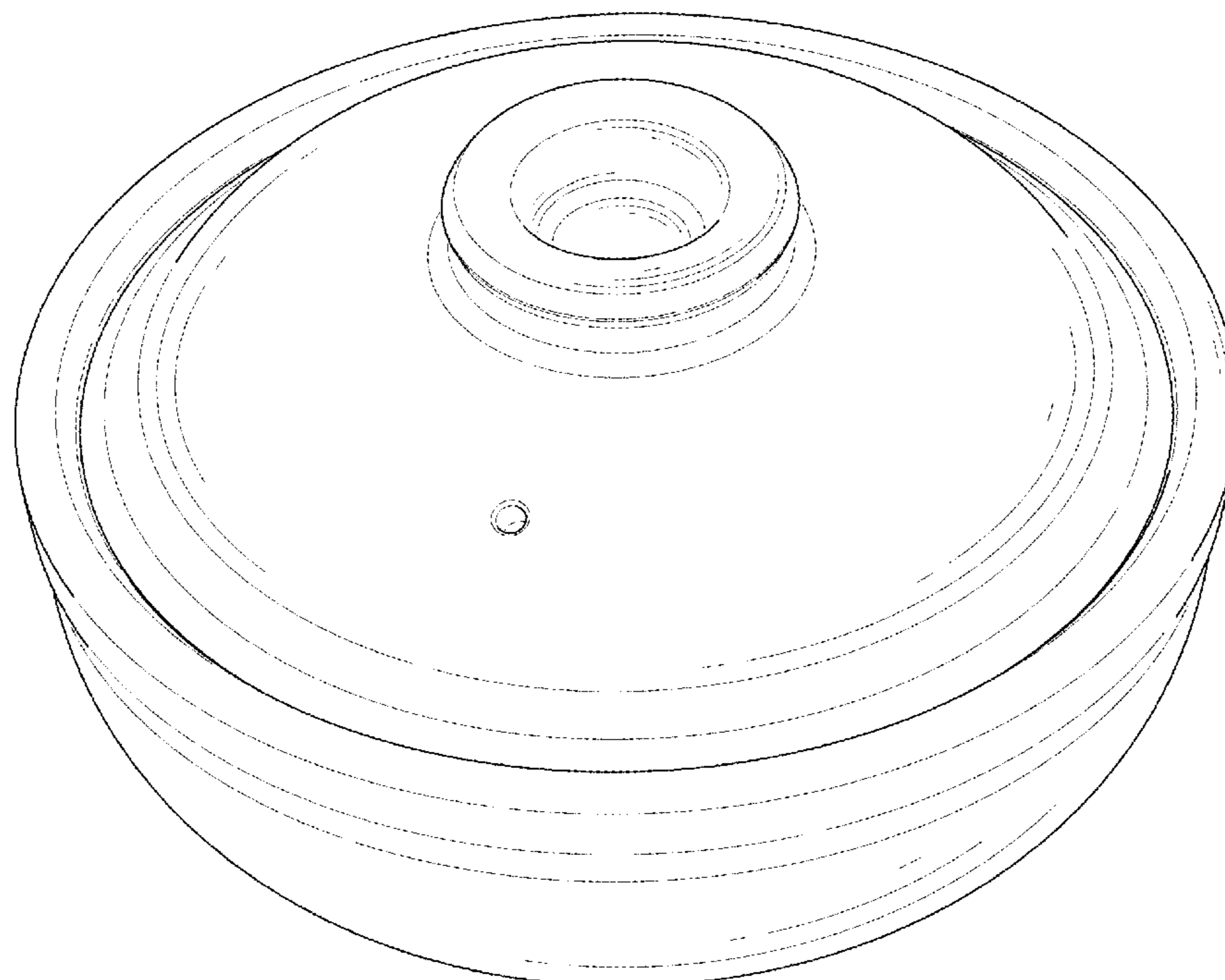
\* cited by examiner

*Primary Examiner* — Gino Colan  
*Assistant Examiner* — David OBrien

(57) **CLAIM**  
The ornamental design for an aromatherapy dispenser, as shown and described.

**DESCRIPTION**  
FIG. 1 is a perspective view of an aromatherapy dispenser showing my new design;  
FIG. 2 is another perspective view thereof;  
FIG. 3 is a front elevational view thereof;  
FIG. 4 is a rear elevational view thereof;  
FIG. 5 is a left side elevational view thereof;  
FIG. 6 is a right side elevational view thereof;  
FIG. 7 is a top plan view thereof; and,  
FIG. 8 is a bottom plan view thereof.  
The broken lines in the drawings depict portions of the aromatherapy dispenser that form no part of the claimed design.

**1 Claim, 8 Drawing Sheets**



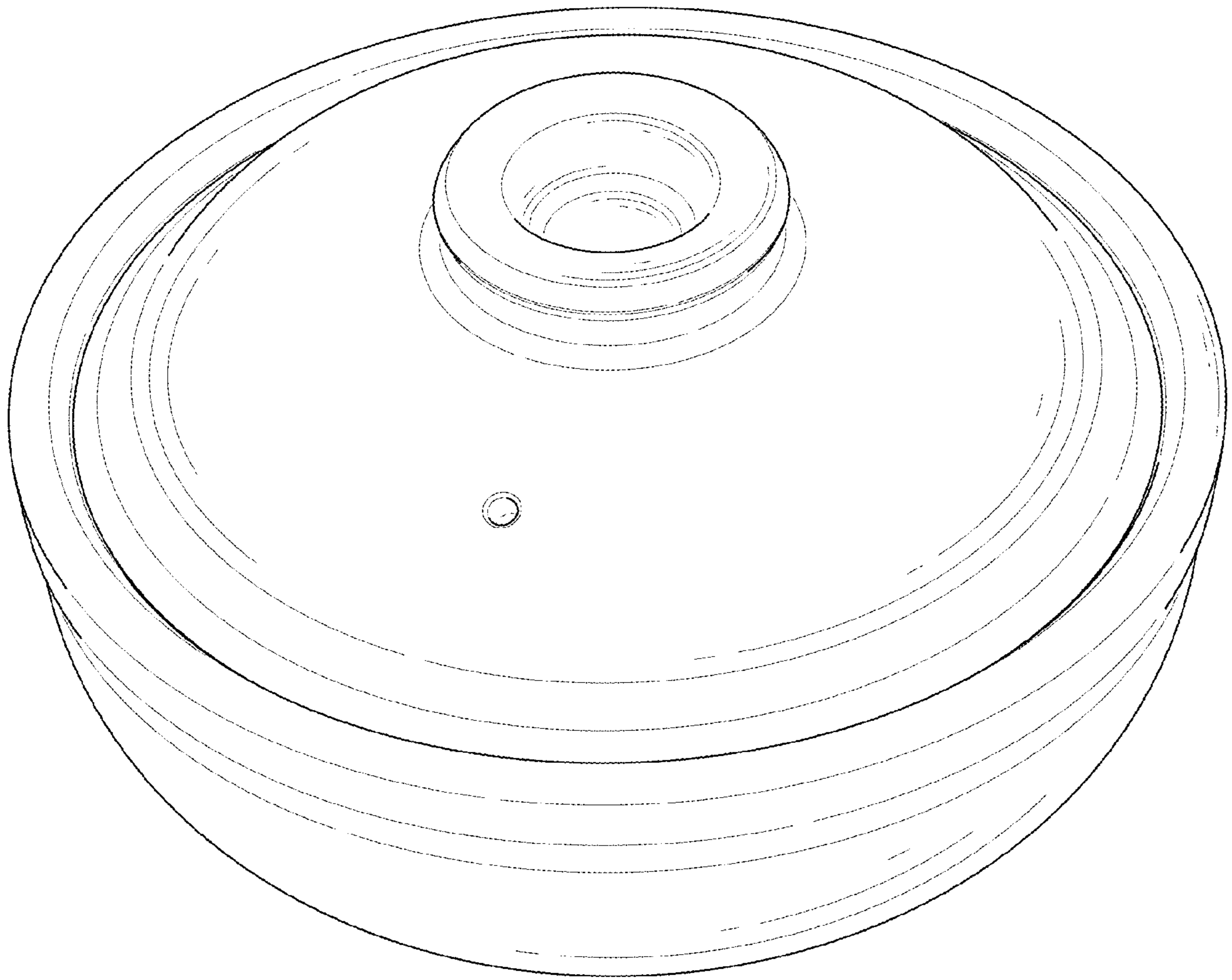


FIG. 1

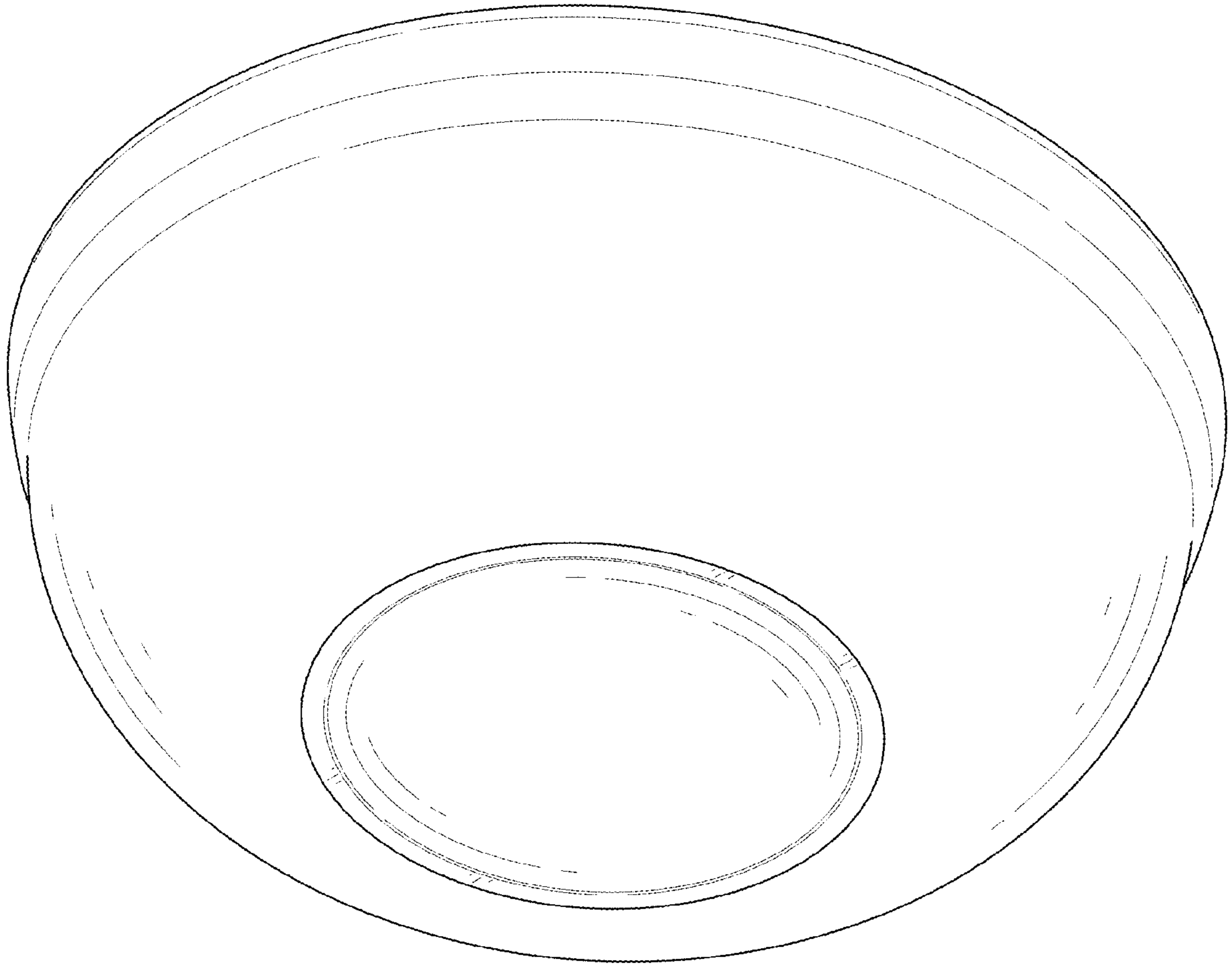


FIG. 2

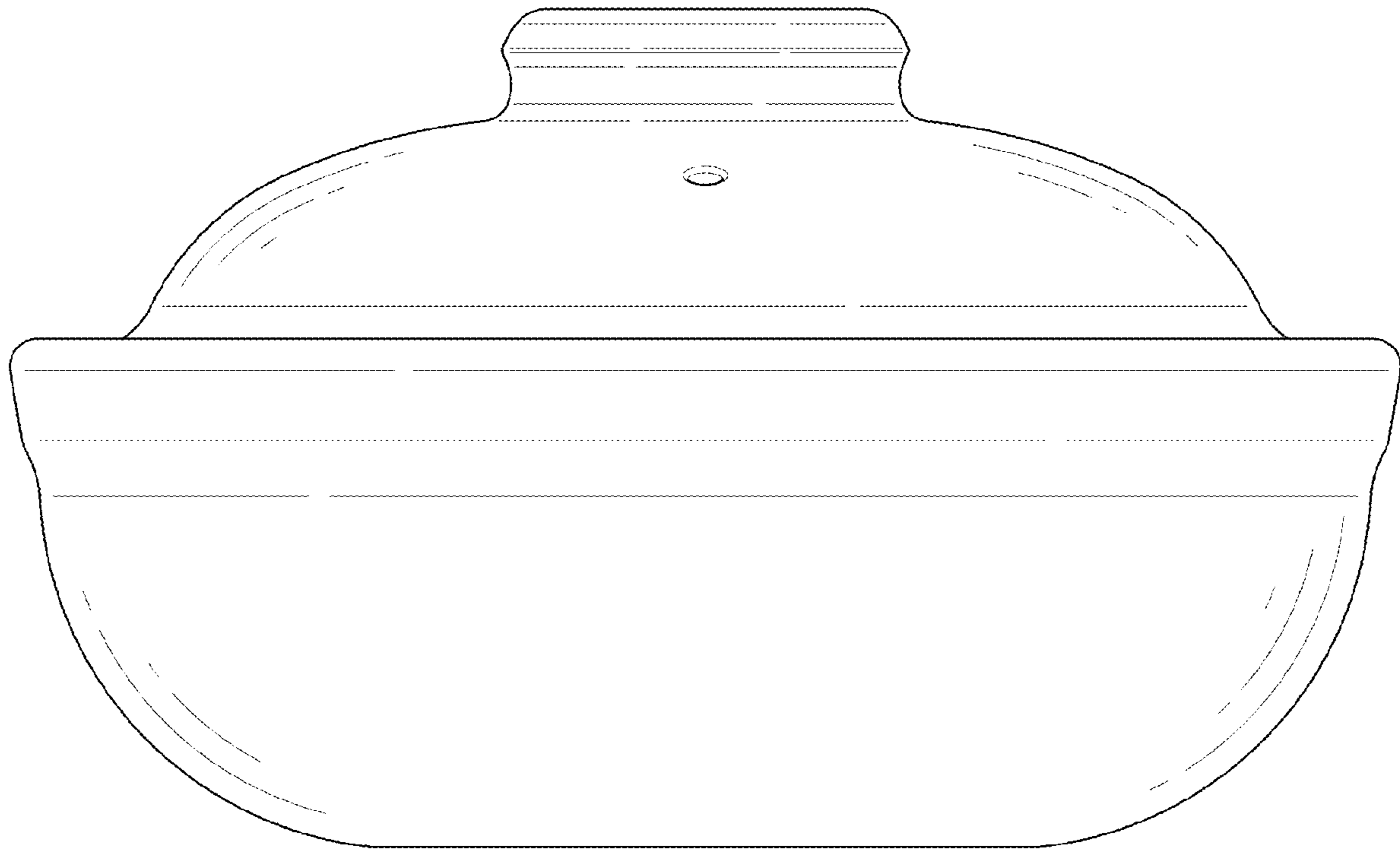


FIG. 3

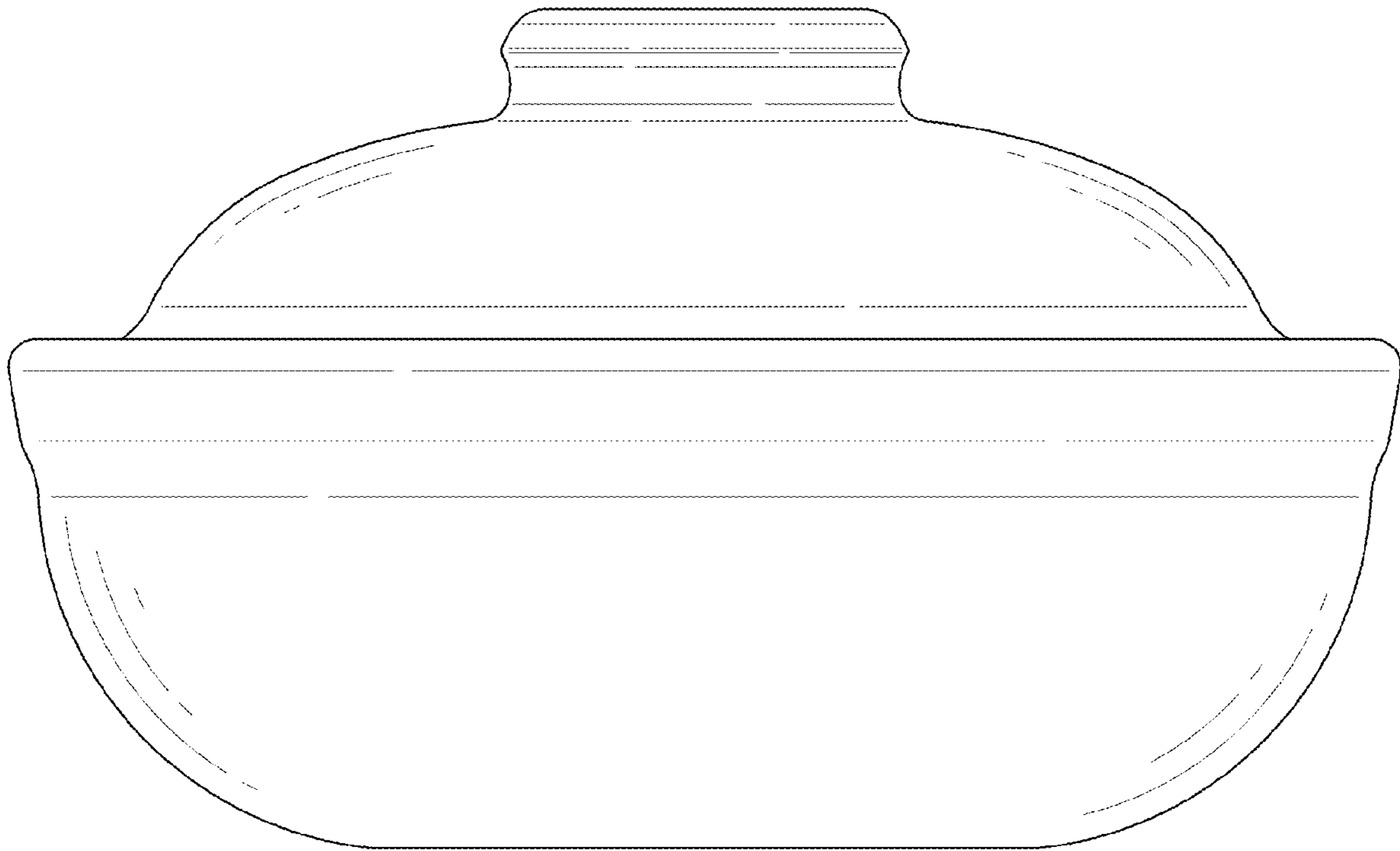


FIG. 4

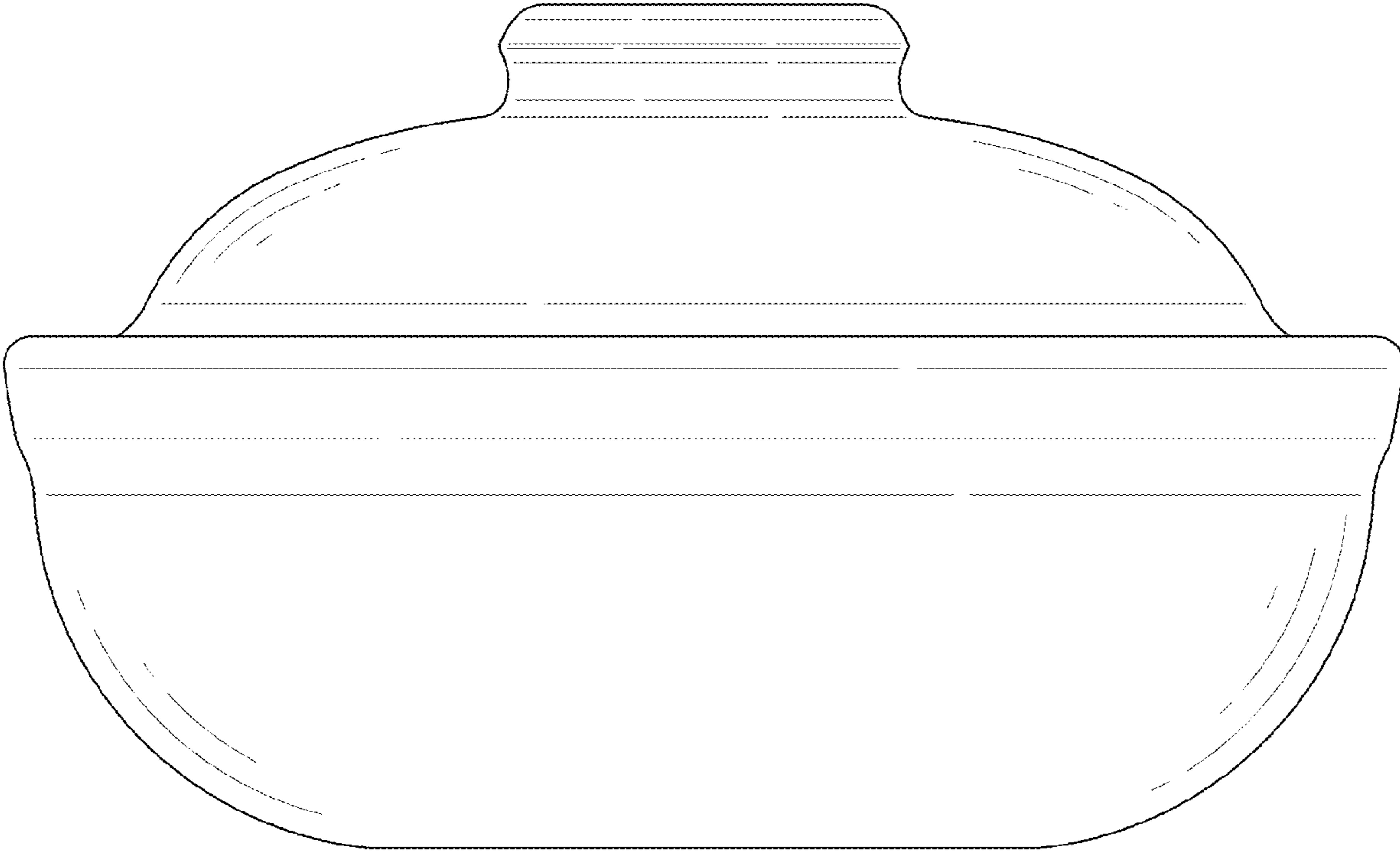


FIG. 5

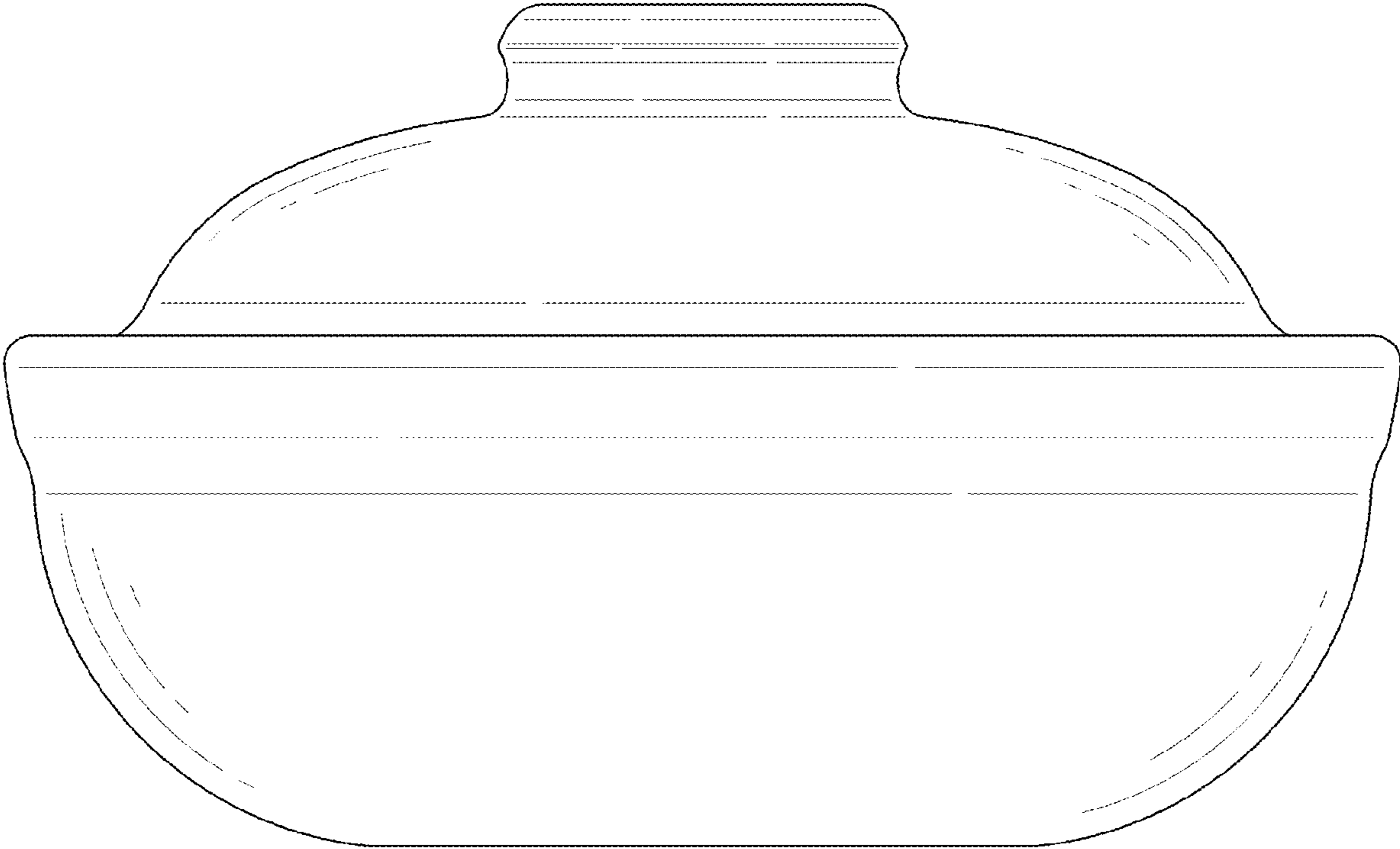


FIG. 6



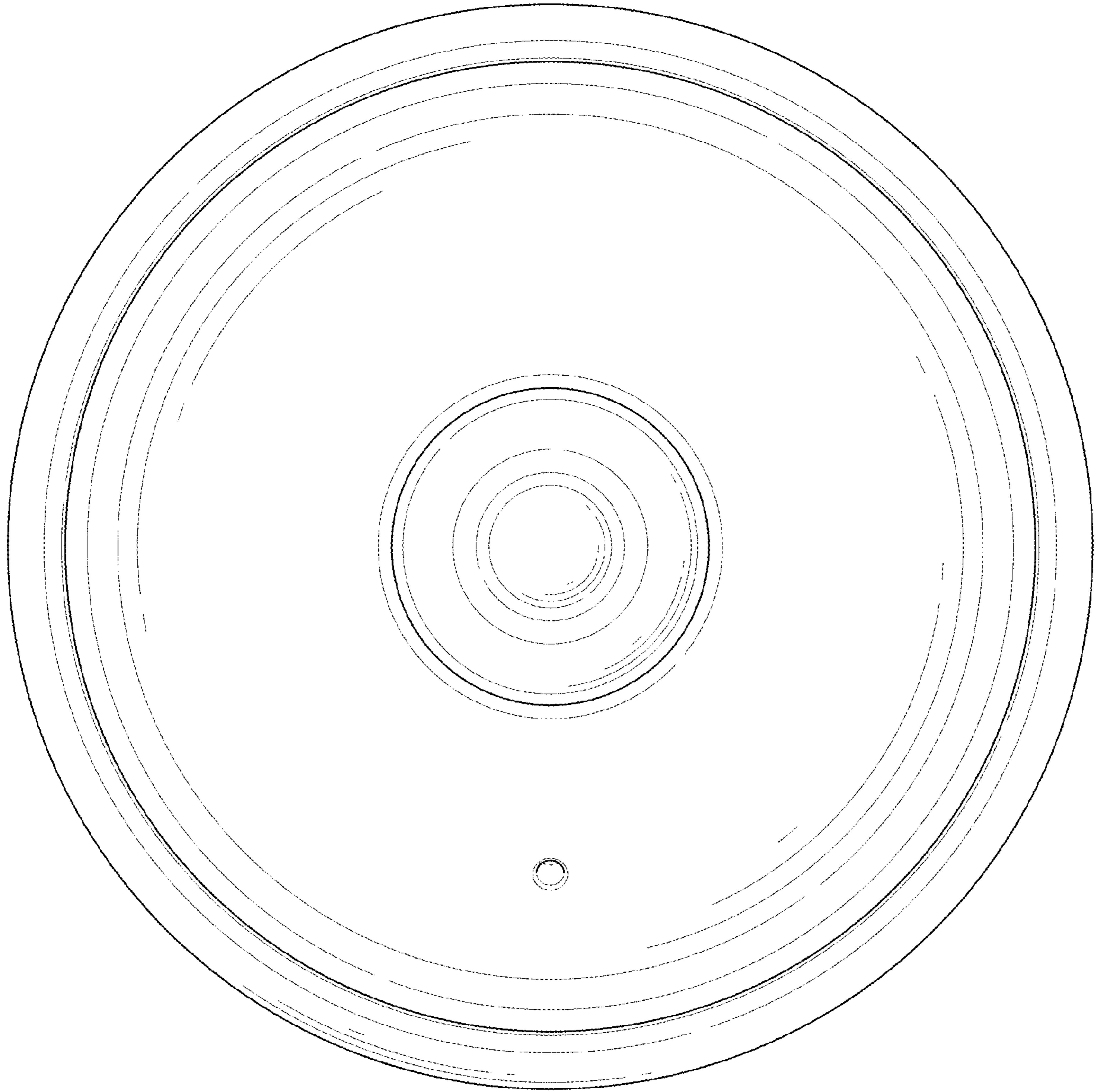


FIG. 7



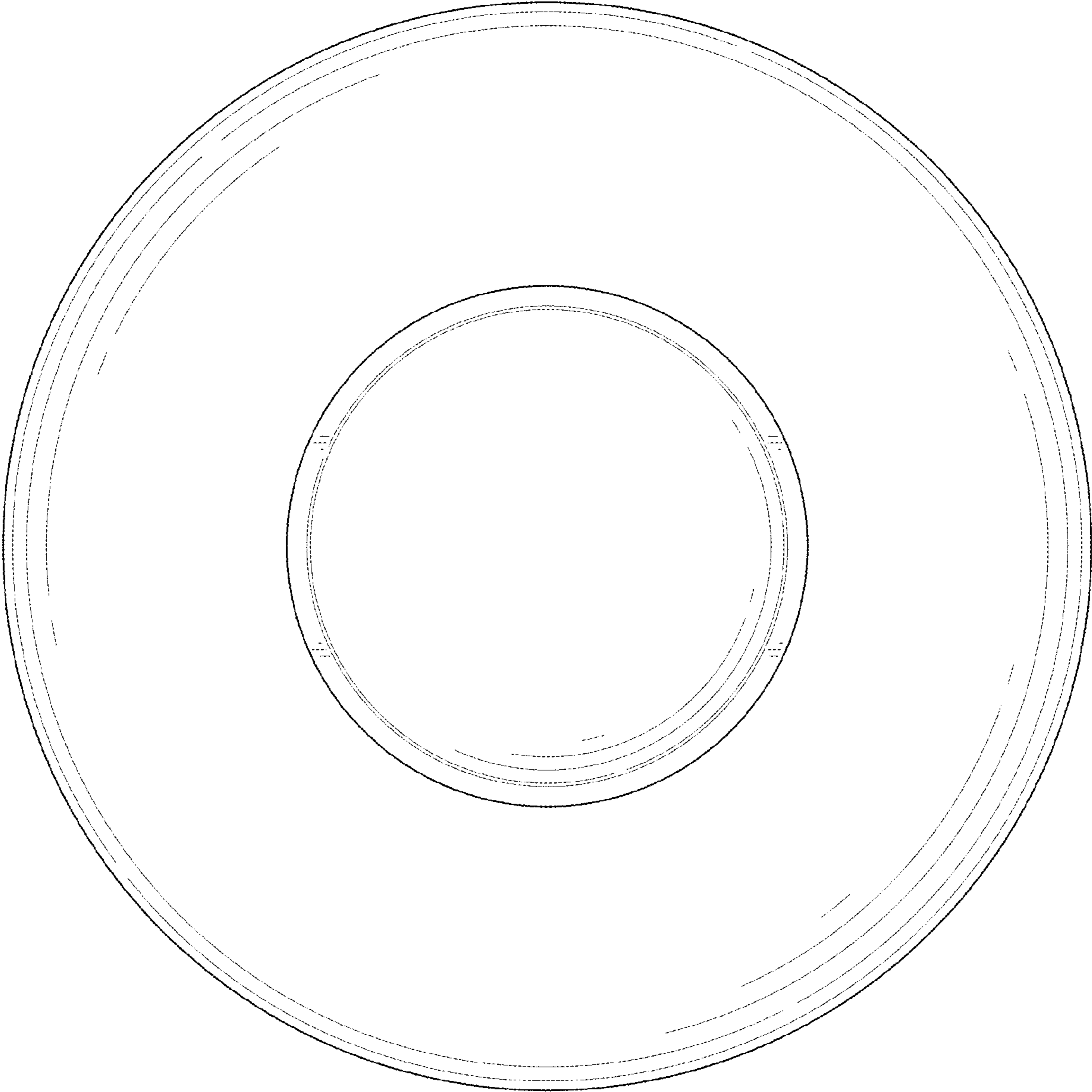


FIG. 8