



US00D953510S

(12) **United States Design Patent** (10) **Patent No.:** **US D953,510 S**
Davis (45) **Date of Patent:** **** May 31, 2022**

(54) **DISPENSER**

(71) Applicant: **S.C. JOHNSON & SON, INC.**,
Racine, WI (US)

(72) Inventor: **Brian T. Davis**, Burlington, WI (US)

(73) Assignee: **S. C. Johnson & Son, Inc.**, Racine, WI
(US)

(**) Term: **15 Years**

(21) Appl. No.: **29/720,746**

(22) Filed: **Jan. 15, 2020**

(51) **LOC (13) Cl.** **28-99**

(52) **U.S. Cl.**
USPC **D23/366**

(58) **Field of Classification Search**
USPC D23/209, 355, 356, 358, 359, 360, 364,
D23/365, 366, 367
CPC . A61L 9/03; A61L 9/012; A61L 9/015; A61L
9/037
See application file for complete search history.

(56) **References Cited**

U.S. PATENT DOCUMENTS

D686,718 S	7/2013	Gordon et al.	
D695,138 S *	12/2013	Ball	D9/772
D700,692 S *	3/2014	Engelhardt	D23/360
D732,653 S	6/2015	Hsiao	
D747,621 S *	1/2016	Amerson	D7/354
D807,226 S *	1/2018	Wessel	D11/131.1
D807,595 S *	1/2018	Valle	D30/199
D821,322 S *	6/2018	Tharol	D13/118
D828,530 S *	9/2018	Brandenburg	D23/366
D831,813 S *	10/2018	Davis	D23/366
D846,724 S	4/2019	Meeker et al.	
D864,929 S *	10/2019	Laurans	D14/240
D878,537 S *	3/2020	Gobber	D23/366
D885,249 S *	5/2020	Wessel	D11/131.1
D905,221 S	12/2020	Gobber et al.	
D915,197 S *	4/2021	Katano	D9/448

D919,598 S *	5/2021	Laurans	D14/216
D919,779 S *	5/2021	Carra	D23/356
2011/0198352 A1*	8/2011	Lown	B65D 47/32 220/254.8

(Continued)

FOREIGN PATENT DOCUMENTS

WO DM099729 S 8/2018

OTHER PUBLICATIONS

Glade Plugin Plus Air Freshener Starter Kit [Aug. 20, 2021] found online Aug. 20, 2021]—https://www.amazon.com/Glade-Freshener-Starter-Scented-Bathroom/dp/B08MVHTHFN/ref=sr_1_7?dchild=1&keywords=glade+plug+in&qid=1629481493&sr=8-7.*

(Continued)

Primary Examiner — John A Voytek

(74) *Attorney, Agent, or Firm* — Quarles & Brady LLP

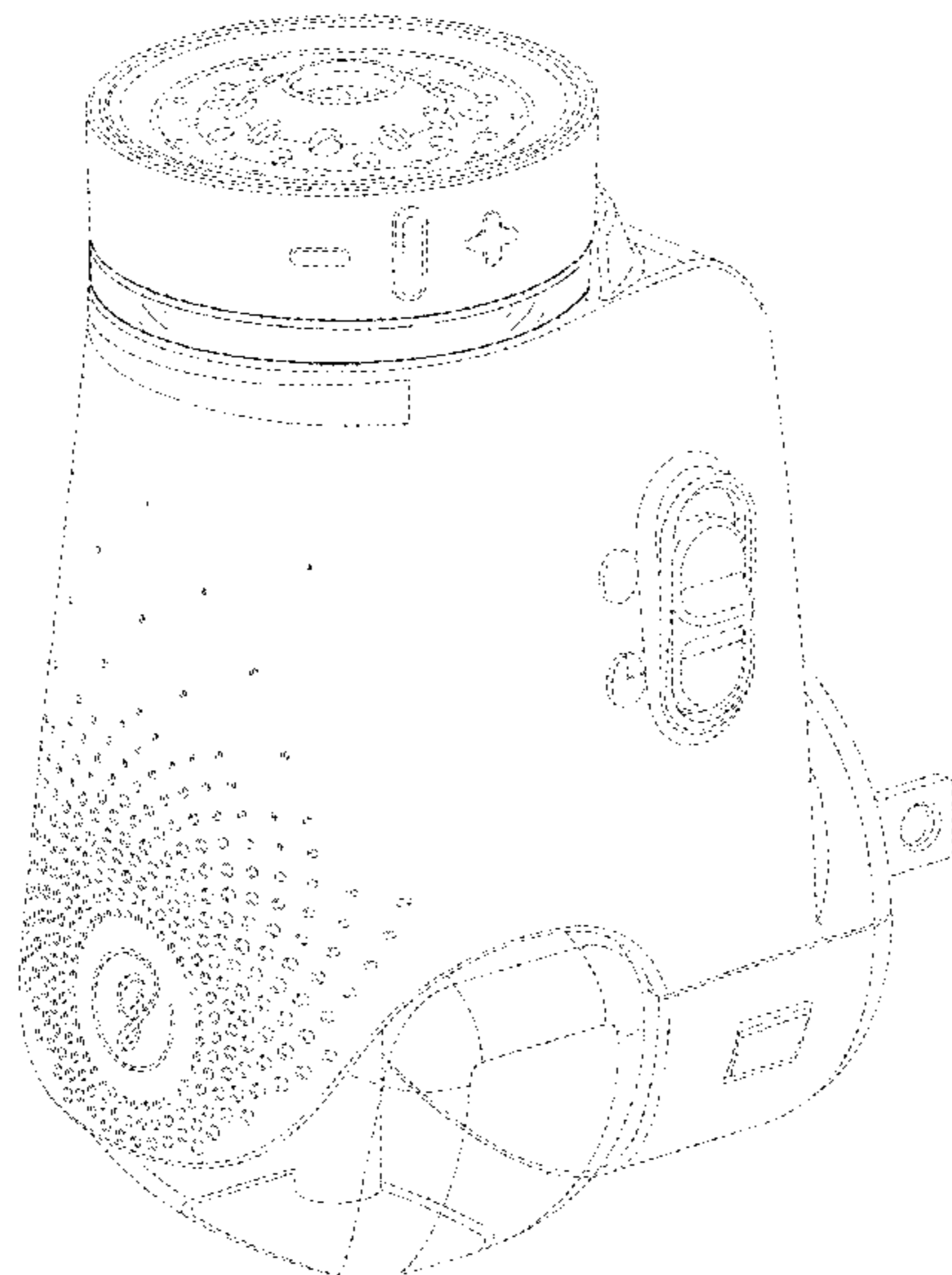
(57) **CLAIM**

The ornamental design for a dispenser, as shown and described.

DESCRIPTION

FIG. 1 is a top, front, and left isometric view of an ornamental design for a dispenser;
FIG. 2 is a front elevational view of the dispenser of FIG. 1;
FIG. 3 is a rear elevational view of the dispenser of FIG. 1;
FIG. 4 is a left side elevational view of the dispenser of FIG. 1;
FIG. 5 is a right side elevational view of the dispenser of FIG. 1; and,
FIG. 6 is a top plan view of the dispenser of FIG. 1.
The dash-dash-dash lines are included for the purpose of illustrating portions that form no part of the claimed design. Further, the oblique shade lines depict transparent or translucent surfaces or materials.

1 Claim, 6 Drawing Sheets



(56)

References Cited

U.S. PATENT DOCUMENTS

2021/0213152 A1* 7/2021 Richard A61L 9/037

OTHER PUBLICATIONS

Notice of Allowance from corresponding Japanese Design Application No. 2021-018406 dated Oct. 5, 2021 (6 pages) (English-machine translation included).

Notice of Allowance from corresponding Japanese Design Application No. 2021-010114, dated Sep. 7, 2021 (6 pages) (English-machine translation included).

* cited by examiner

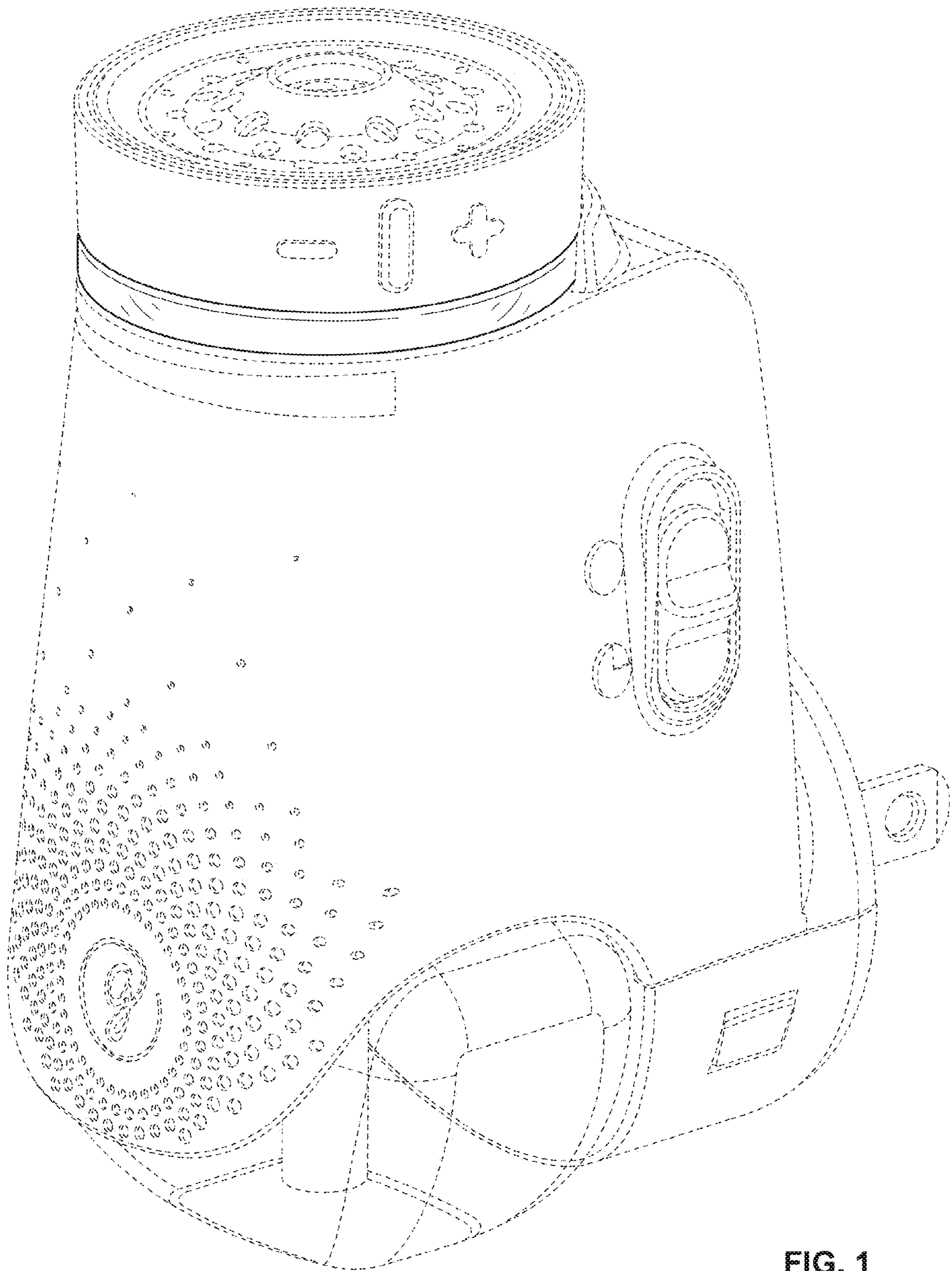


FIG. 1

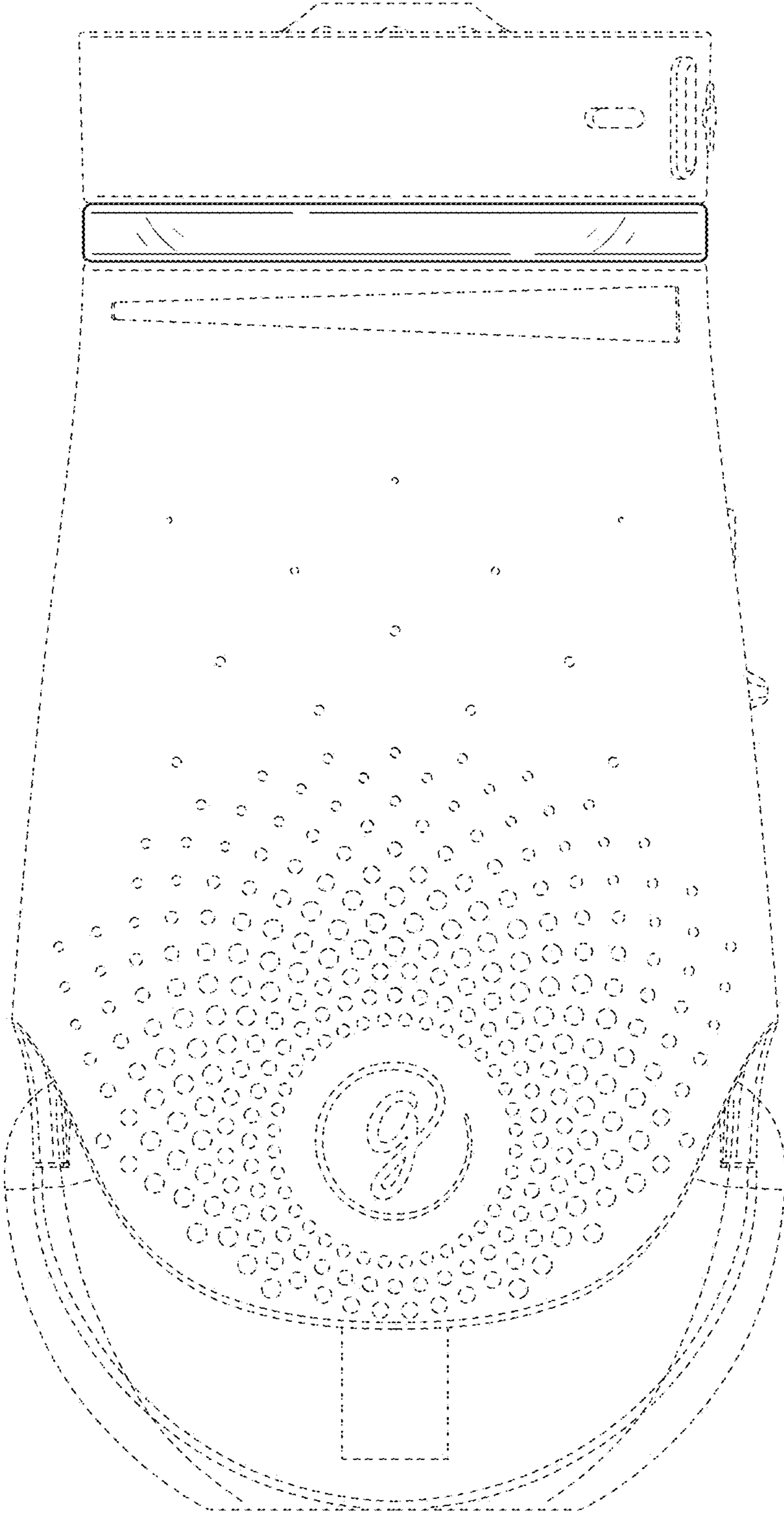


FIG. 2

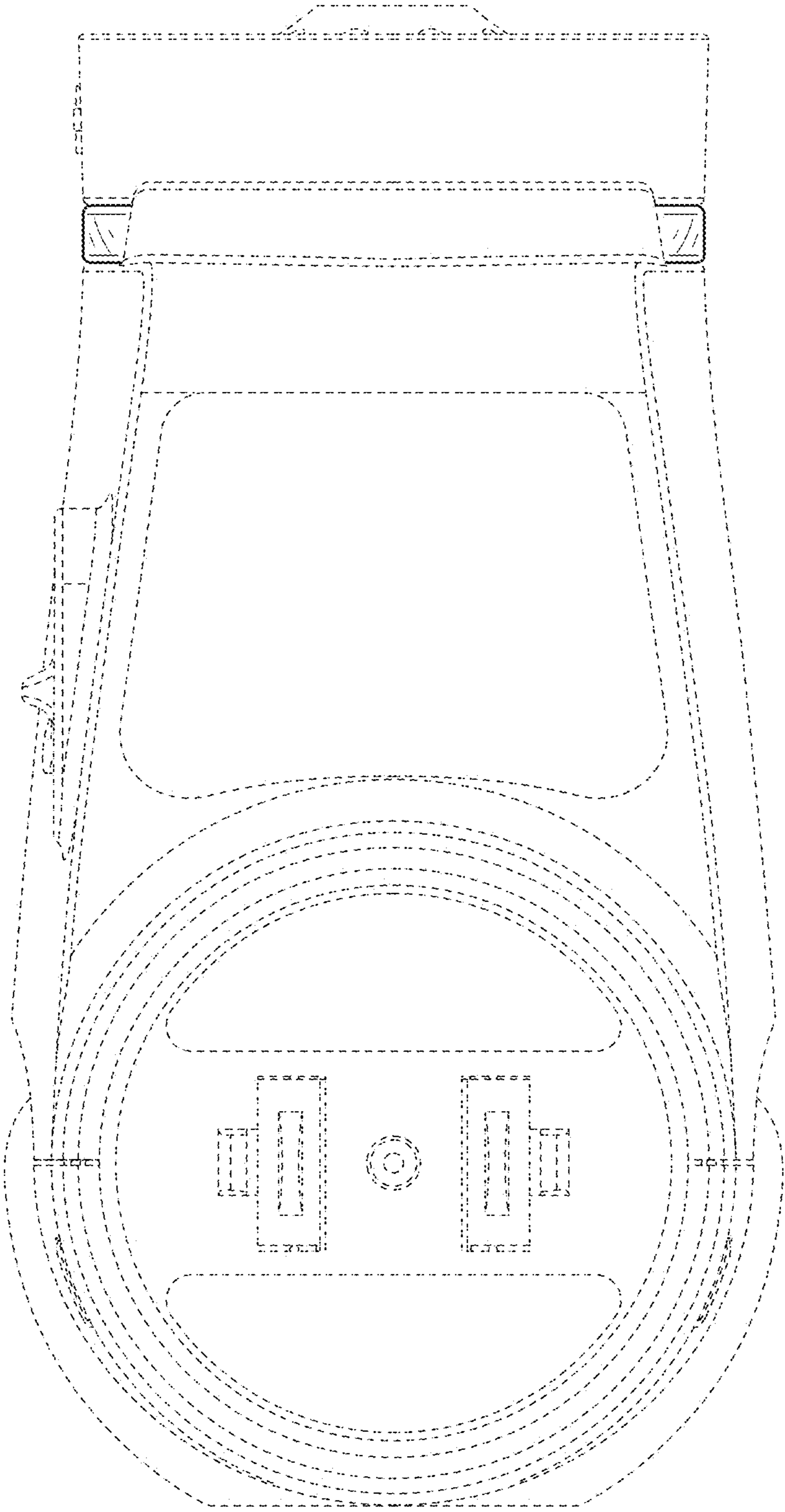


FIG. 3

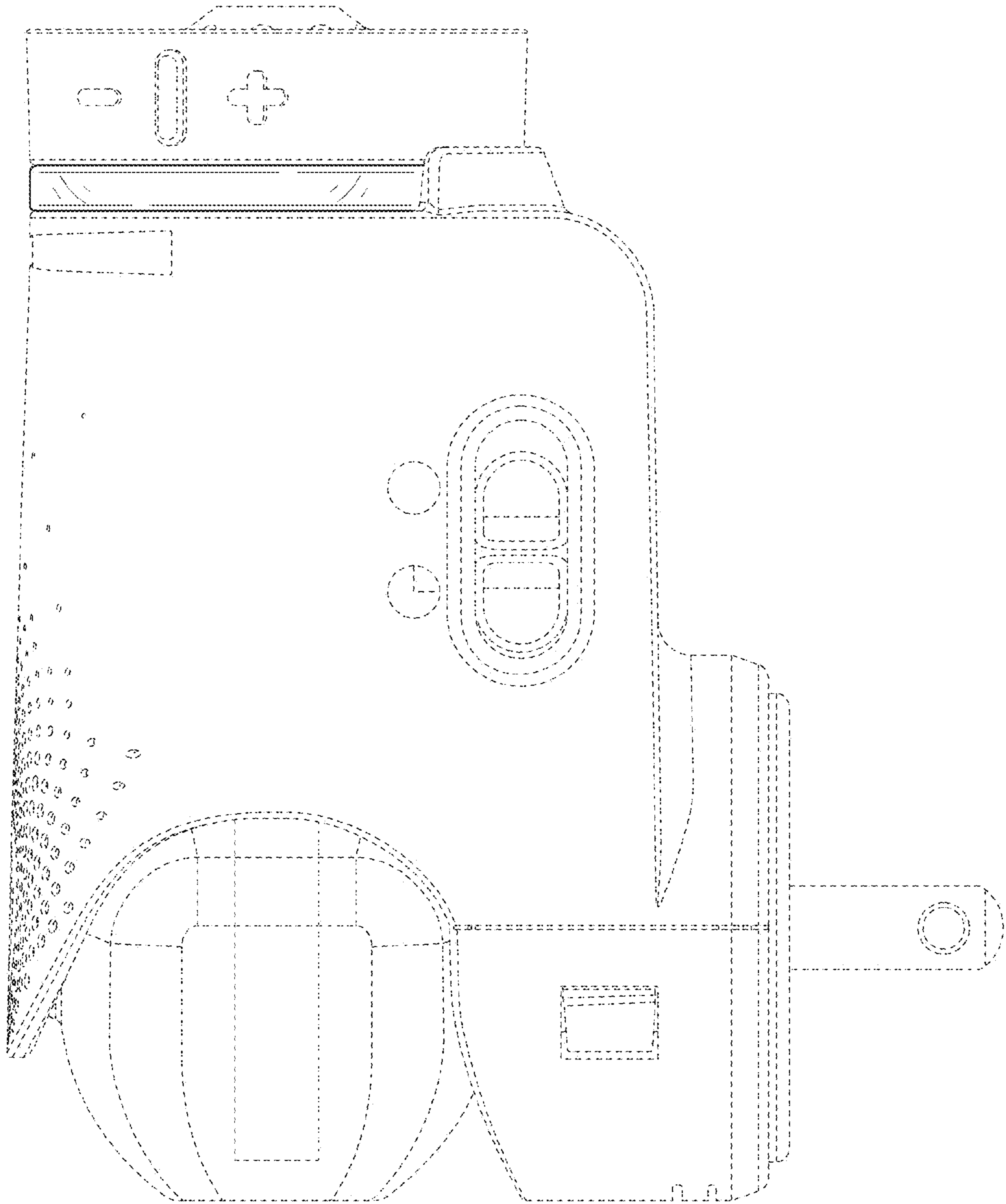


FIG. 4

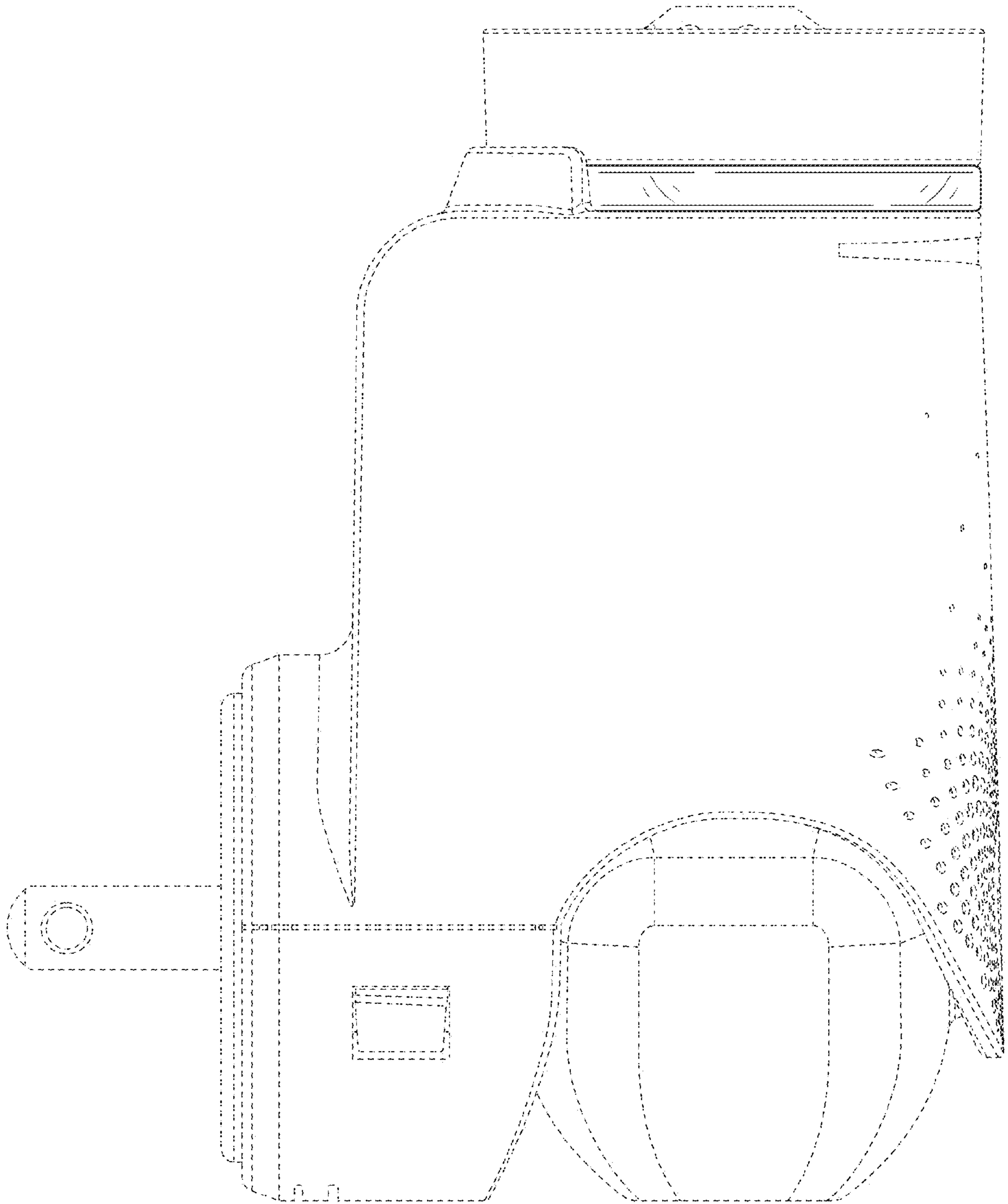


FIG. 5

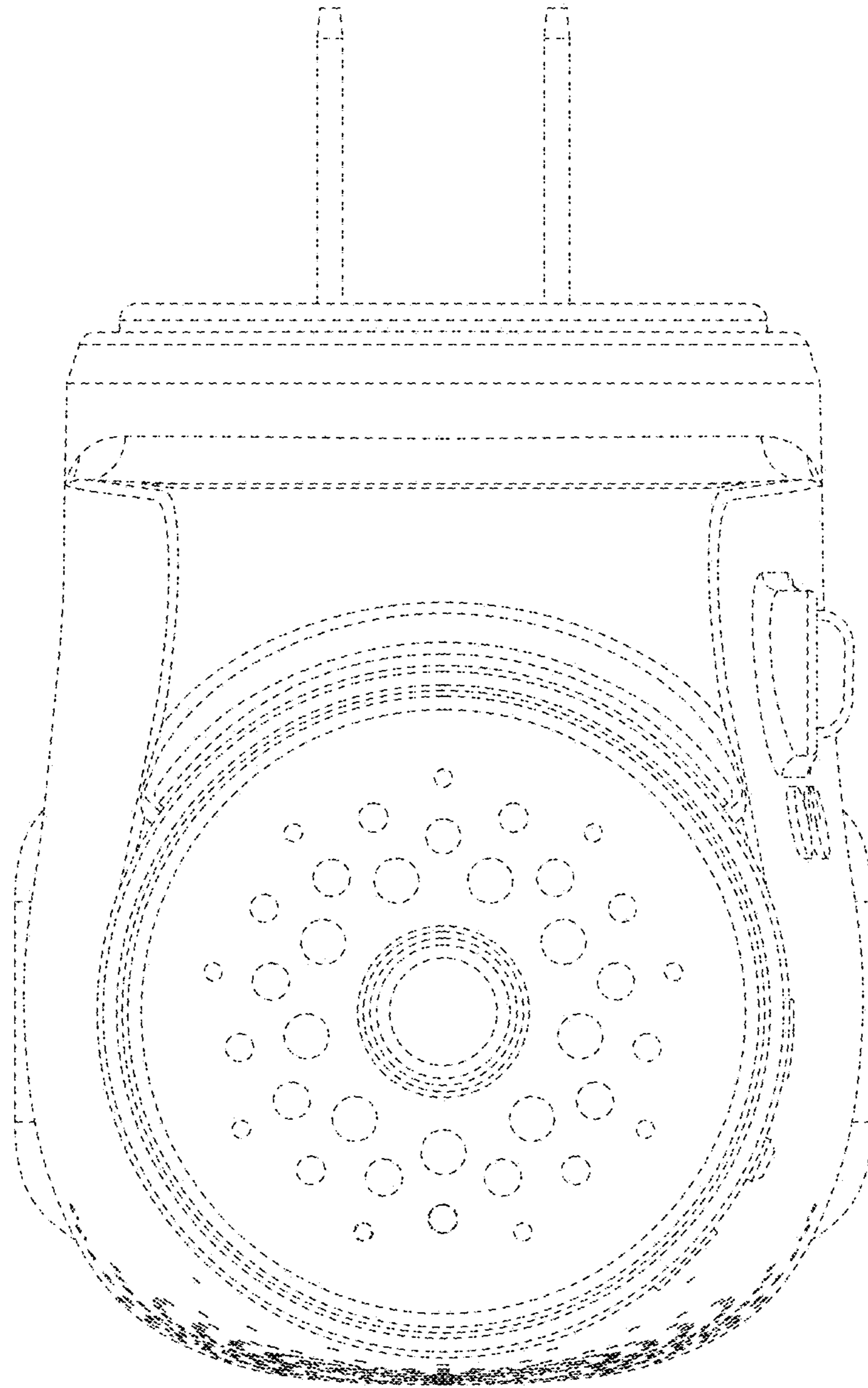


FIG. 6