



US00D953507S

(12) **United States Design Patent**  
**Yan**

(10) **Patent No.:** **US D953,507 S**

(45) **Date of Patent:** **\*\* May 31, 2022**

(54) **AIR PURIFIER**

(71) Applicant: **Shenzhen Puremate Technology Co., Ltd.**, Shenzhen (CN)

(72) Inventor: **Yiqing Yan**, Shenzhen (CN)

(73) Assignee: **SHENZHEN PUREMATE TECHNOLOGY CO., LTD.**, Shenzhen (CN)

(\*\*) Term: **15 Years**

(21) Appl. No.: **29/764,452**

(22) Filed: **Dec. 30, 2020**

(30) **Foreign Application Priority Data**

Dec. 11, 2020 (CN) ..... 202030765919.6

(51) **LOC (13) Cl.** ..... **23-04**

(52) **U.S. Cl.**  
USPC ..... **D23/364**

(58) **Field of Classification Search**  
USPC ..... D23/356, 359, 364-365, 378, 499;  
D14/204, 214, 240, 314, 496

(Continued)

(56) **References Cited**

**U.S. PATENT DOCUMENTS**

D258,759 S \* 3/1981 Johnson ..... D23/366  
D570,464 S \* 6/2008 Normark ..... D23/364

(Continued)

**FOREIGN PATENT DOCUMENTS**

JP D1547861 \* 4/2016  
JP D1592254 \* 12/2017  
JP D1667966 \* 9/2020

**OTHER PUBLICATIONS**

Medify MA-25 Air Purifier, first available Apr. 9, 2020[online], [site visited Feb. 10, 2022]. Available from internet, URL:<<https://www.amazon.ca/dp/B086WQ2RZ4>> (Year: 2020).\*

(Continued)

*Primary Examiner* — Barbara Fox

*Assistant Examiner* — Jamaal Rasheed

(74) *Attorney, Agent, or Firm* — Westbridge IP LLC

(57) **CLAIM**

The ornamental design for an air purifier, as shown and described.

**DESCRIPTION**

FIG. 1 is a top perspective view of an air purifier showing my new design according to a first embodiment;

FIG. 2 is a bottom perspective view thereof;

FIG. 3 is a front elevational view thereof;

FIG. 4 is a rear elevational view thereof;

FIG. 5 is a left side elevational view thereof;

FIG. 6 is a right side elevational view thereof;

FIG. 7 is a top plan view thereof;

FIG. 8 is a bottom plan view thereof;

FIG. 9 is an enlarged view of portion 9 of FIG. 1;

FIG. 10 is an enlarged view of portion 10 of FIG. 1;

FIG. 11 is a top perspective view of an air purifier showing my new design according to a second embodiment;

FIG. 12 is a bottom perspective view of FIG. 11;

FIG. 13 is a front elevational view of FIG. 11;

FIG. 14 is a rear elevational view of FIG. 11;

FIG. 15 is a left side elevational view of FIG. 11;

FIG. 16 is a right side elevational view of FIG. 11;

FIG. 17 is a top plan view of FIG. 11;

FIG. 18 is a bottom plan view of FIG. 11;

FIG. 19 is an enlarged view of portion 19 of FIG. 11;

FIG. 20 is an enlarged view of portion 20 of FIG. 11;

FIG. 21 is a top perspective view of an air purifier showing my new design according to a third embodiment;

FIG. 22 is a bottom perspective view of FIG. 21;

FIG. 23 is a front elevational view of FIG. 21;

FIG. 24 is a rear elevational view of FIG. 21;

FIG. 25 is a left side elevational view of FIG. 21;

FIG. 26 is a right side elevational view of FIG. 21;

FIG. 27 is a top plan view of FIG. 21;

FIG. 28 is a bottom plan view of FIG. 21;

FIG. 29 is an enlarged view of portion 29 of FIG. 21;

FIG. 30 is an enlarged view of portion 30 of FIG. 21;

FIG. 31 is a top perspective view of an air purifier showing my new design according to a fourth embodiment;

(Continued)

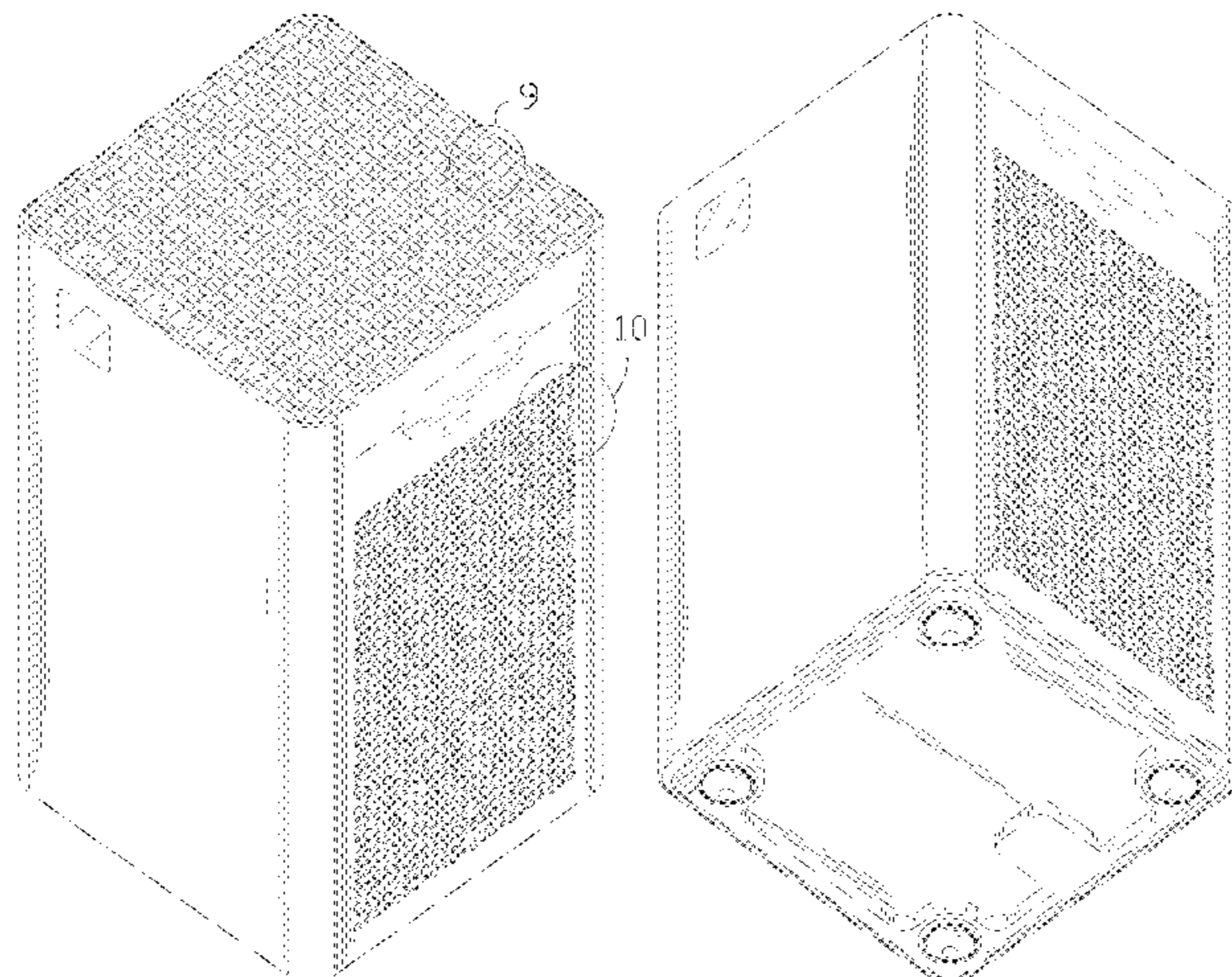


FIG. 32 is a bottom perspective view of FIG. 31;  
 FIG. 33 is a front elevational view of FIG. 31;  
 FIG. 34 is a rear elevational view of FIG. 31;  
 FIG. 35 is a left side elevational view of FIG. 31;  
 FIG. 36 is a right side elevational view of FIG. 31;  
 FIG. 37 is a top plan view of FIG. 31;  
 FIG. 38 is a bottom plan view of FIG. 31;  
 FIG. 39 is an enlarged view of portion 39 of FIG. 31; and,  
 FIG. 40 is an enlarged view of portion 40 of FIG. 31.  
 The broken lines in the drawings illustrate the portions of the  
 air purifier which form no part of the claimed design.

**1 Claim, 40 Drawing Sheets**

(58) **Field of Classification Search**

CPC ..... F24F 1/029; F24F 1/035; F24F 1/0287;  
 F24F 6/06; F24F 6/14; F24F 13/06; F24F  
 13/20; F24F 13/222; F24F 3/16; F24F  
 3/1405; F24F 3/1603; B05B 17/06

See application file for complete search history.

(56)

**References Cited**

U.S. PATENT DOCUMENTS

|           |    |   |         |            |       |            |
|-----------|----|---|---------|------------|-------|------------|
| D728,089  | S  | * | 4/2015  | Crisa'     | ..... | D23/366    |
| D754,102  | S  | * | 4/2016  | Sun        | ..... | D14/214    |
| D791,297  | S  | * | 7/2017  | Ljungstrom | ..... | D23/364    |
| 9,694,369 | B2 | * | 7/2017  | Engberg    | ..... | B03C 3/368 |
| D862,673  | S  | * | 10/2019 | Tang       | ..... | D23/364    |
| D865,148  | S  | * | 10/2019 | Yoon       | ..... | D23/364    |
| D889,447  | S  | * | 7/2020  | Biddle     | ..... | D14/240    |
| D891,406  | S  | * | 7/2020  | Hulick     | ..... | D14/240    |
| D917,683  | S  | * | 4/2021  | Xie        | ..... | D23/359    |
| D928,298  | S  | * | 8/2021  | Zuo        | ..... | D23/364    |
| D935,588  | S  | * | 11/2021 | LaPorte    | ..... | D23/364    |
| D940,707  | S  | * | 1/2022  | Ledbetter  | ..... | D14/349    |
| D942,447  | S  | * | 2/2022  | Ledbetter  | ..... | D14/349    |

OTHER PUBLICATIONS

Germ Guardian AP5800W 19 Hi-Performance Air Purifier , first  
 available Jan. 22, 2021[online], [site visited Feb. 8, 2022]. Available  
 from internet, URL:<<https://www.amazon.ca/dp/B08FTJNMSZ>> (Year:  
 2021).\*

\* cited by examiner

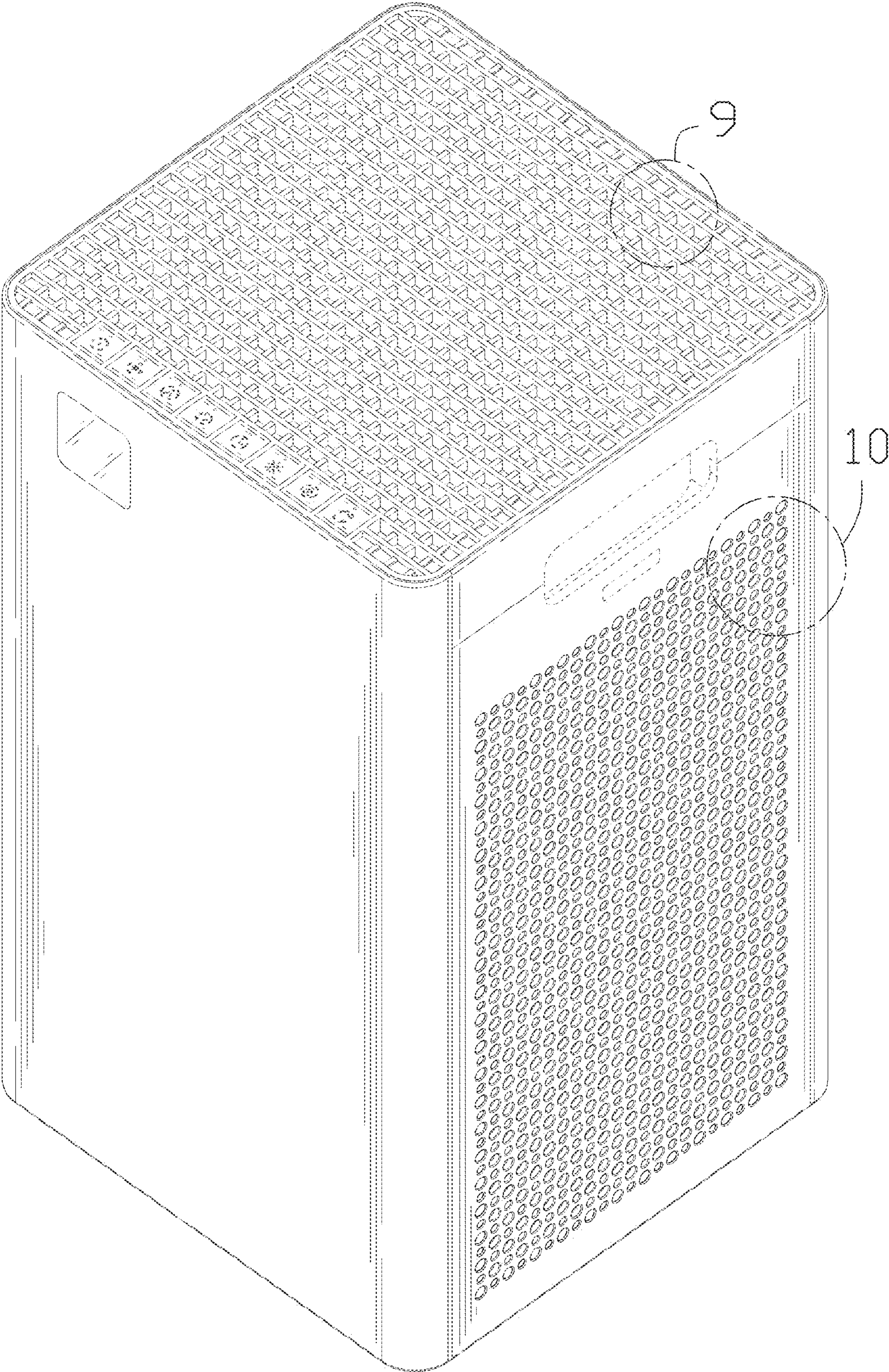


FIG. 1

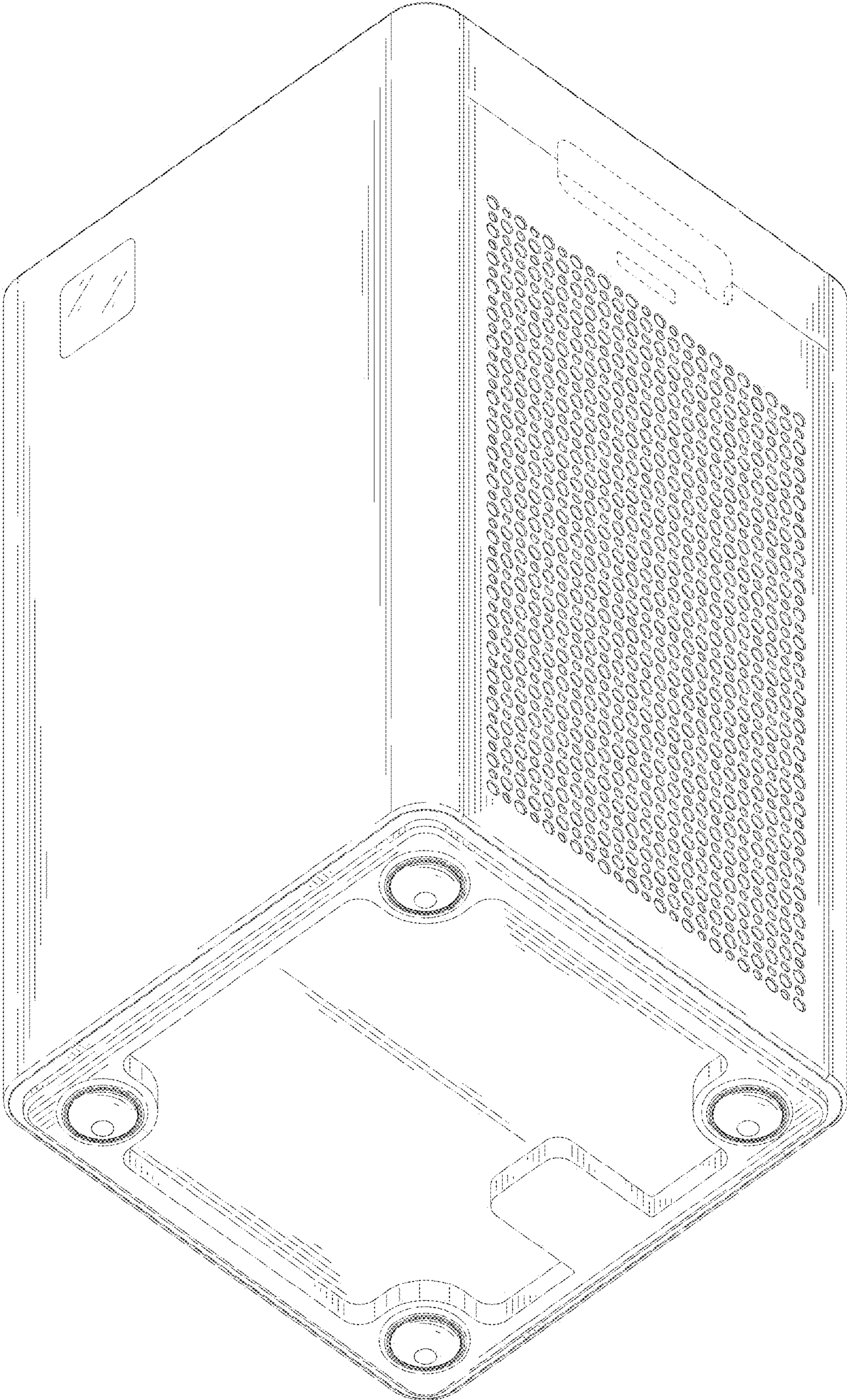


FIG. 2

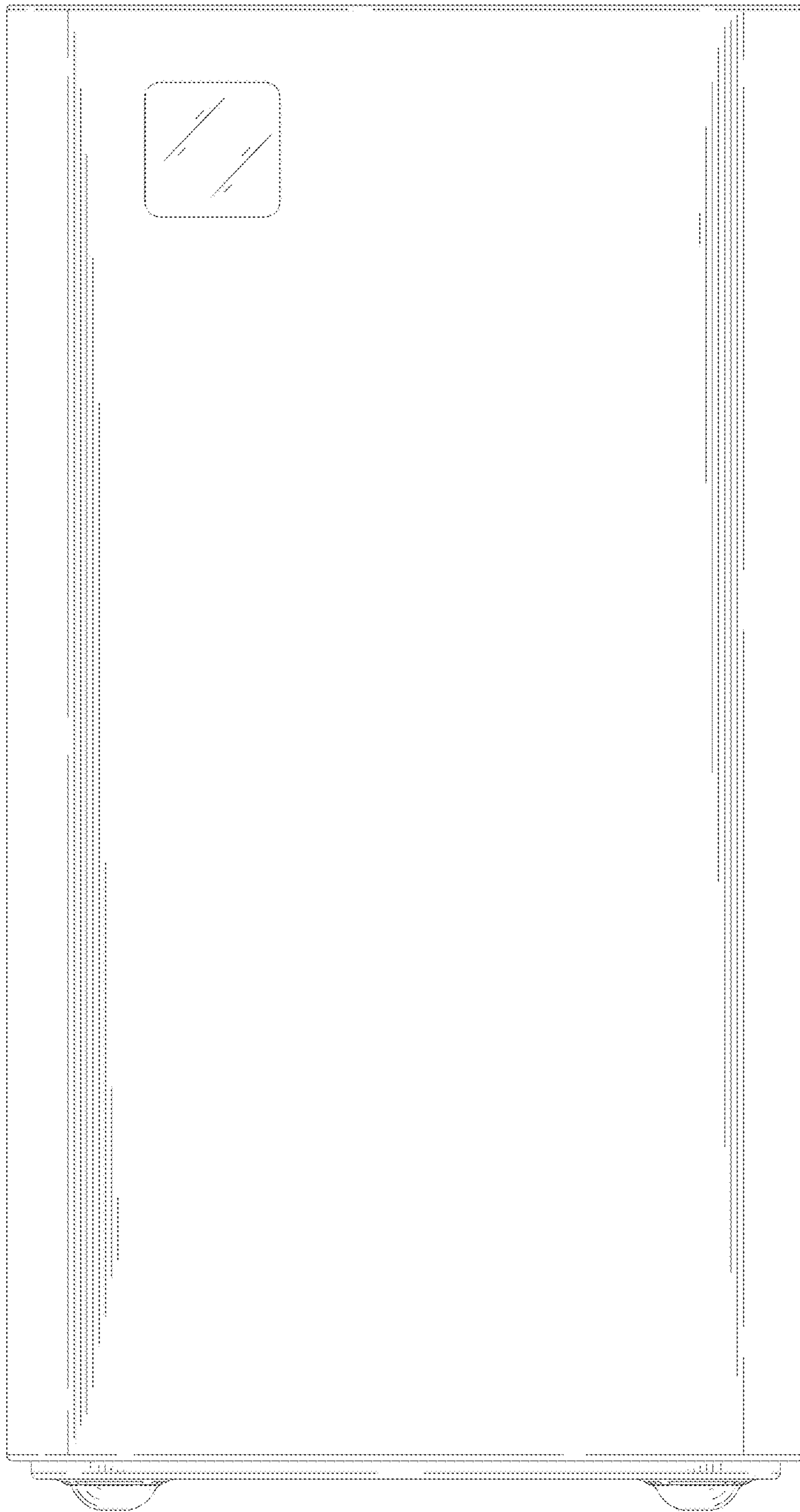


FIG. 3

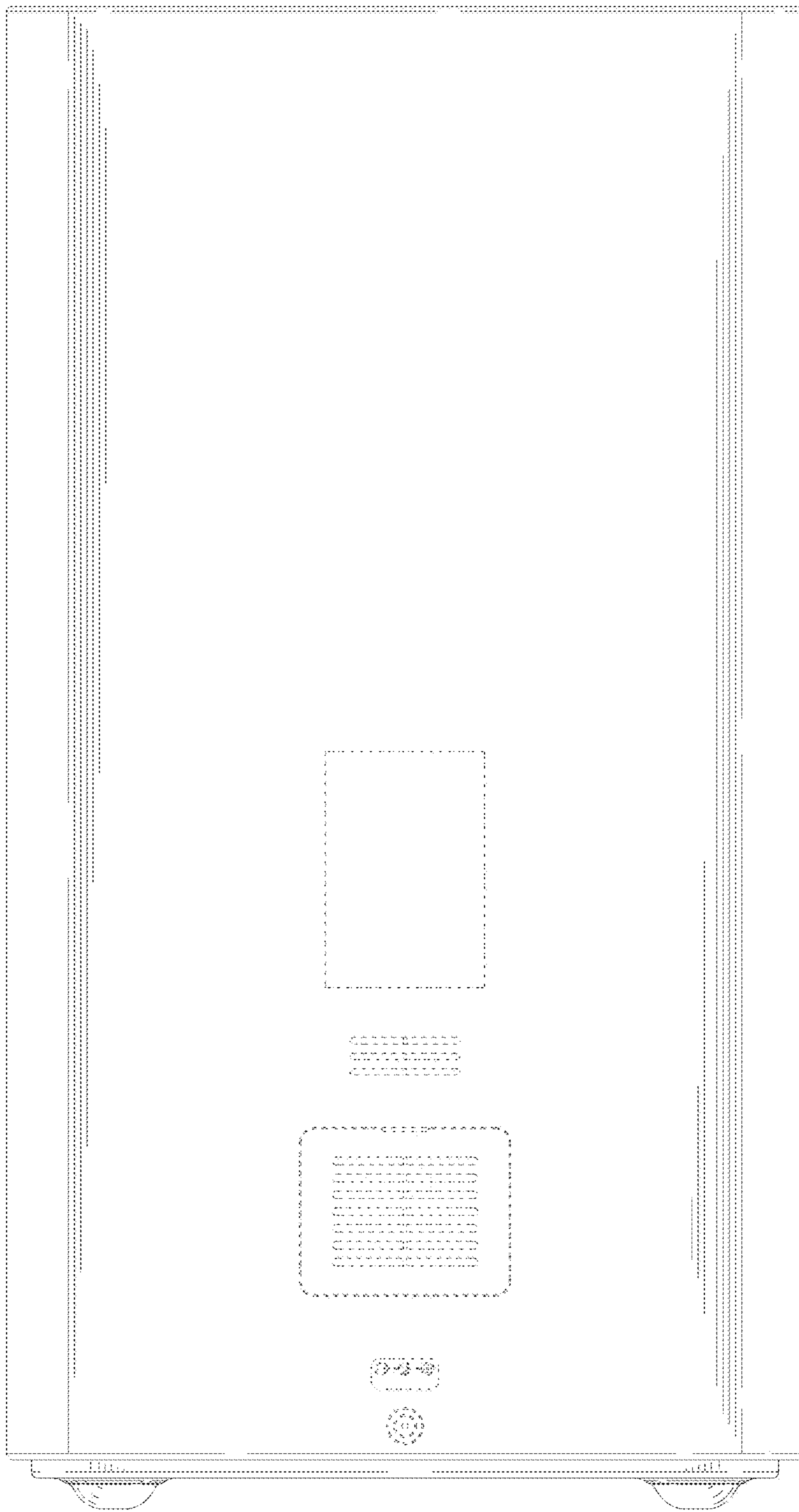


FIG. 4.

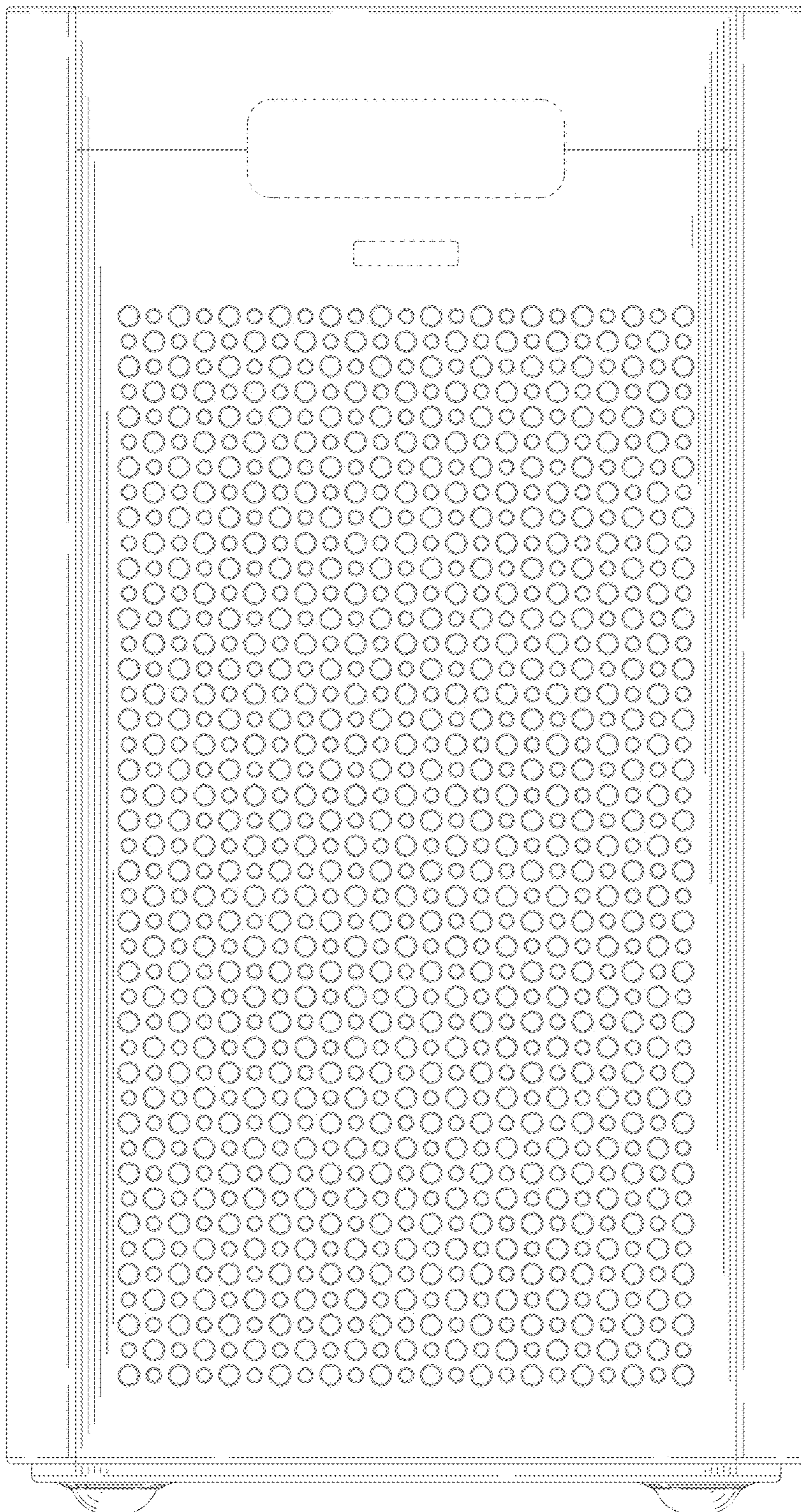


FIG. 5

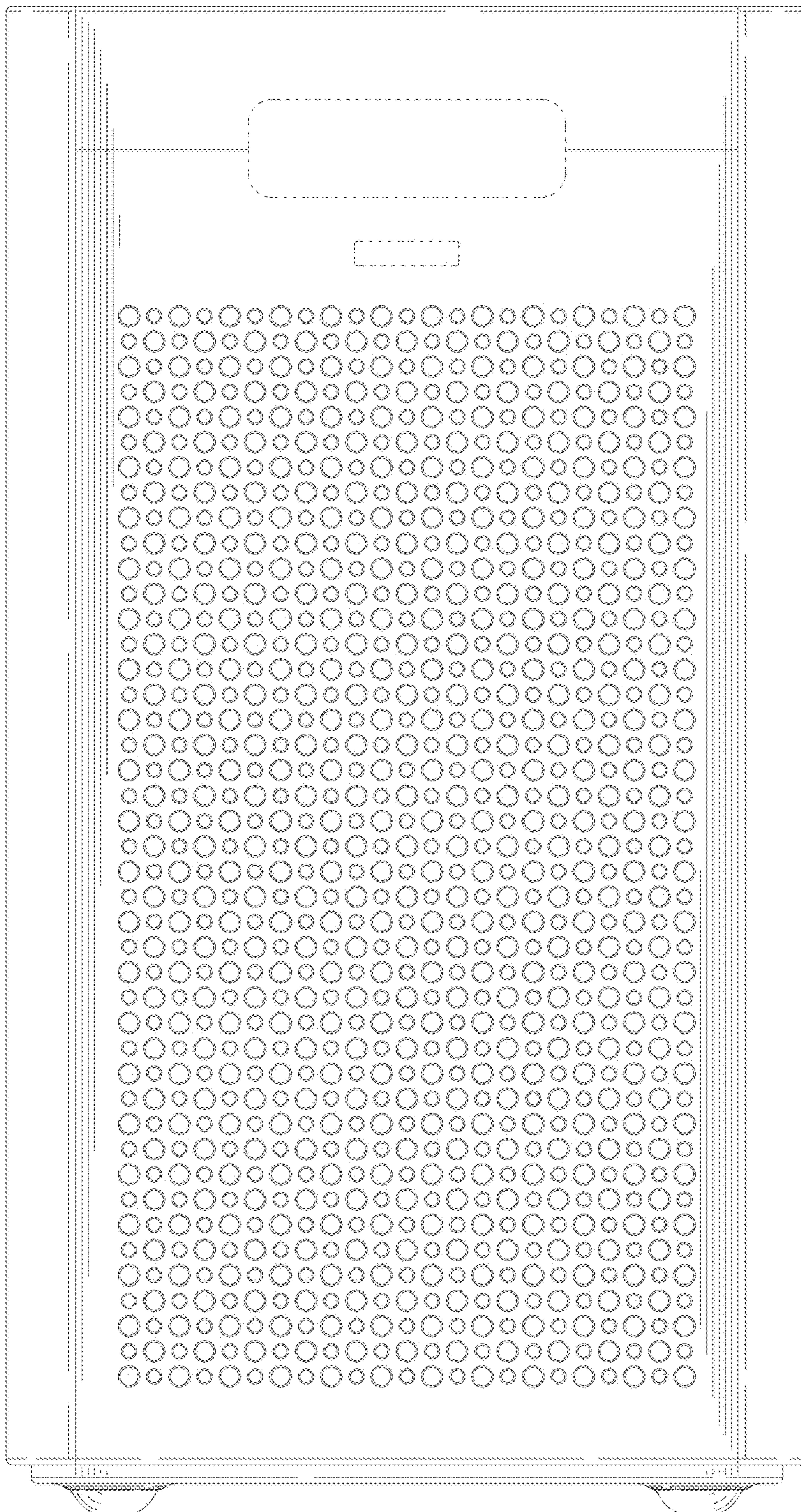


FIG. 6



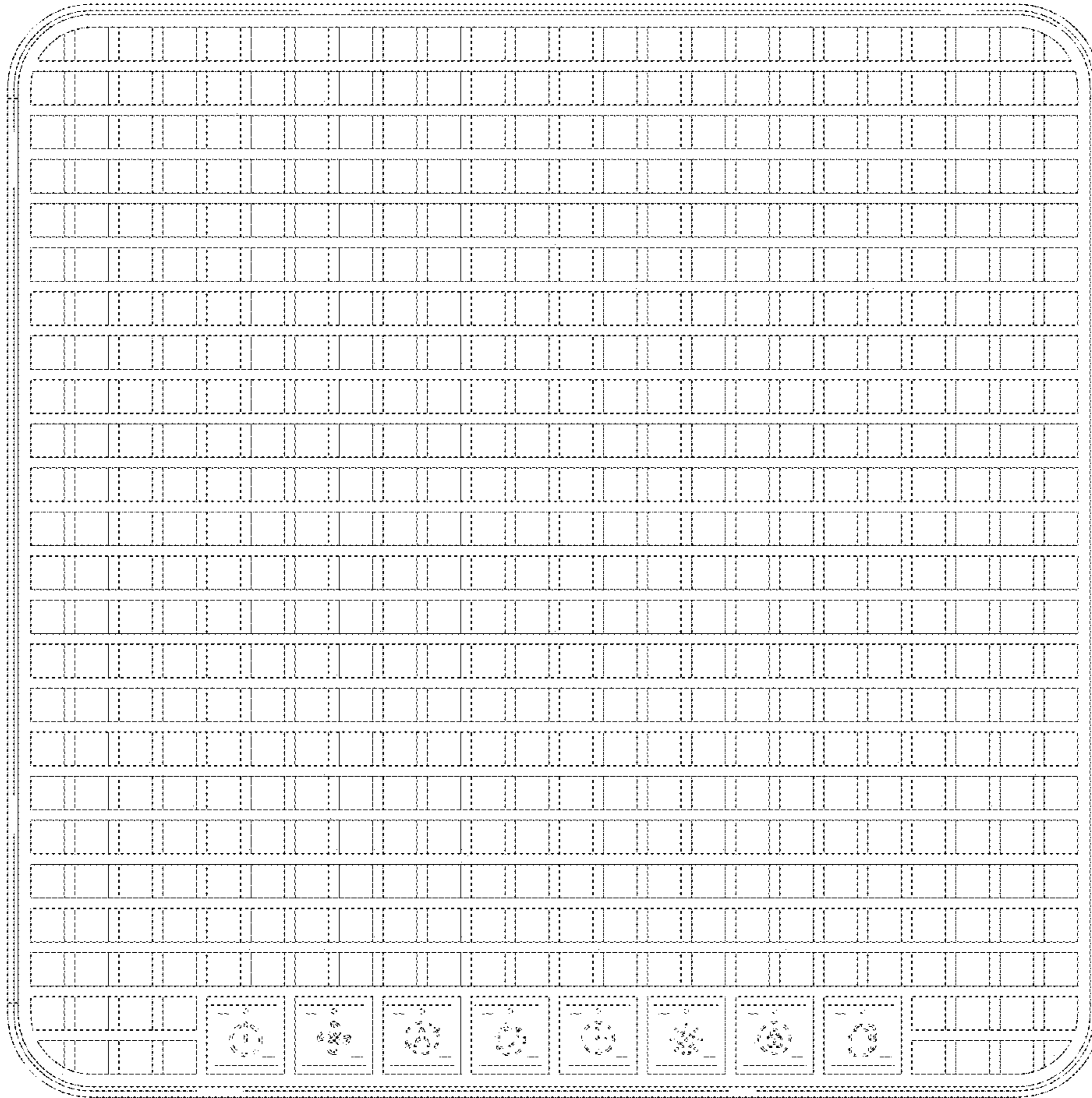


FIG. 7

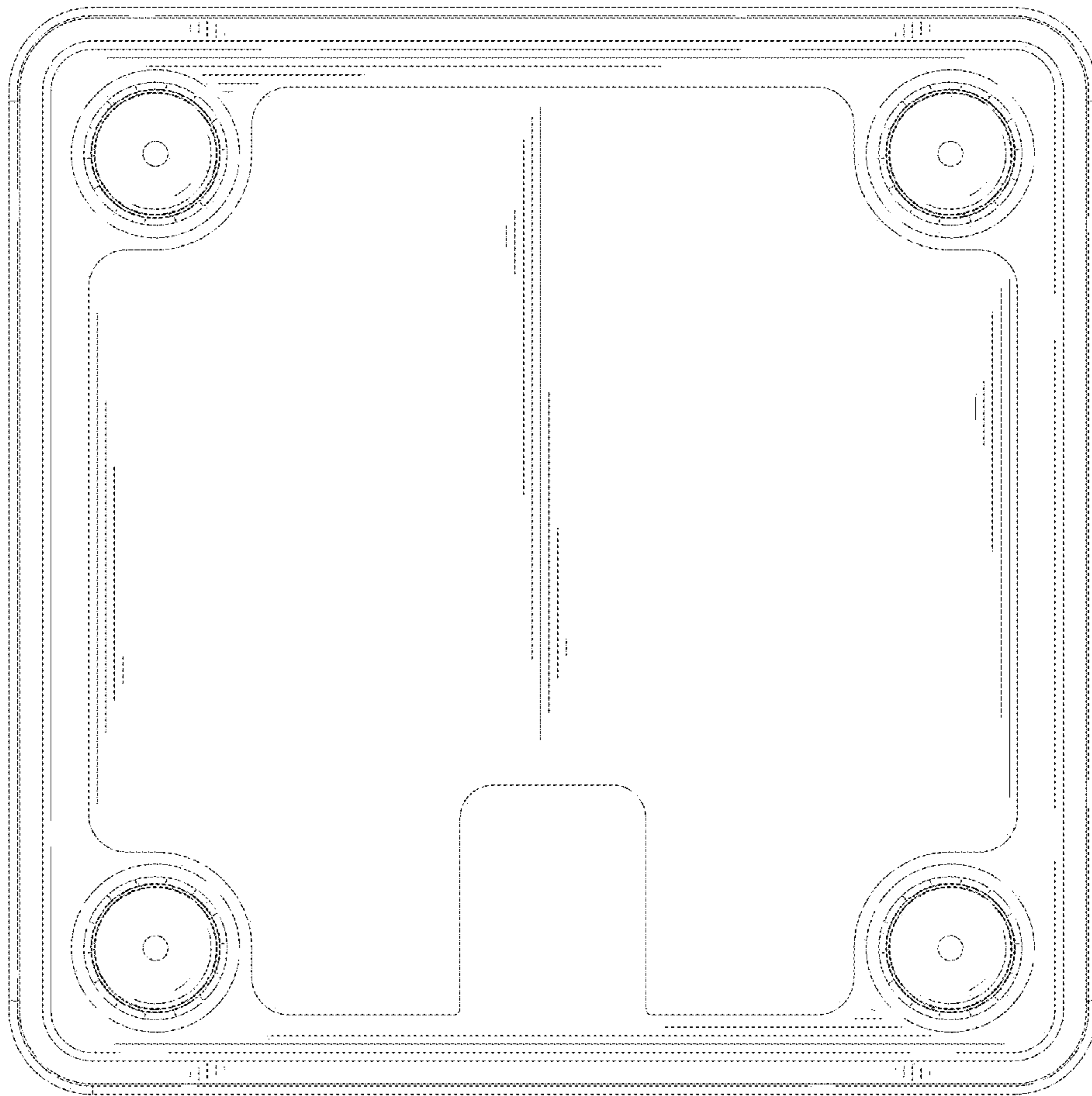


FIG. 8

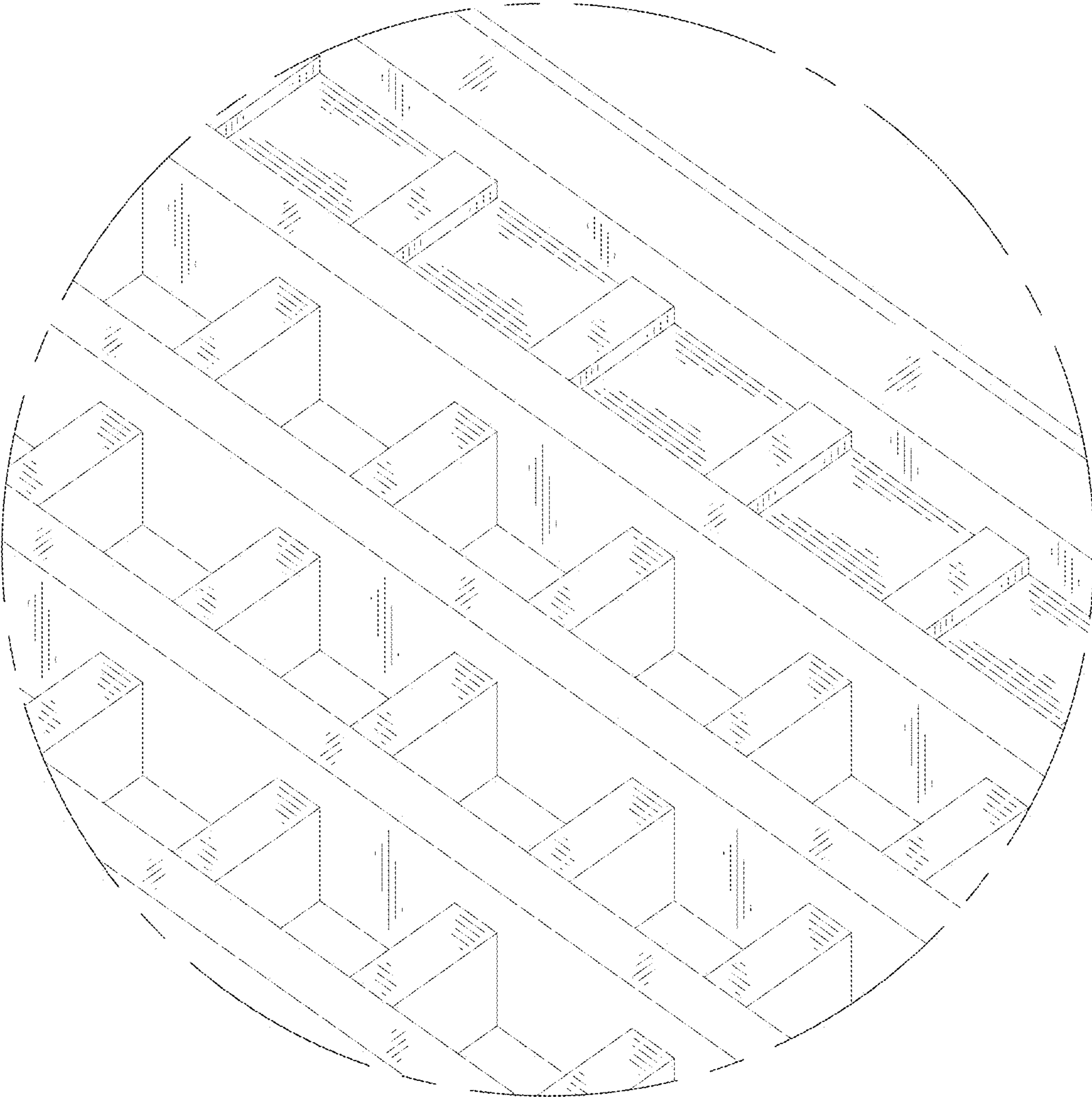


FIG. 9

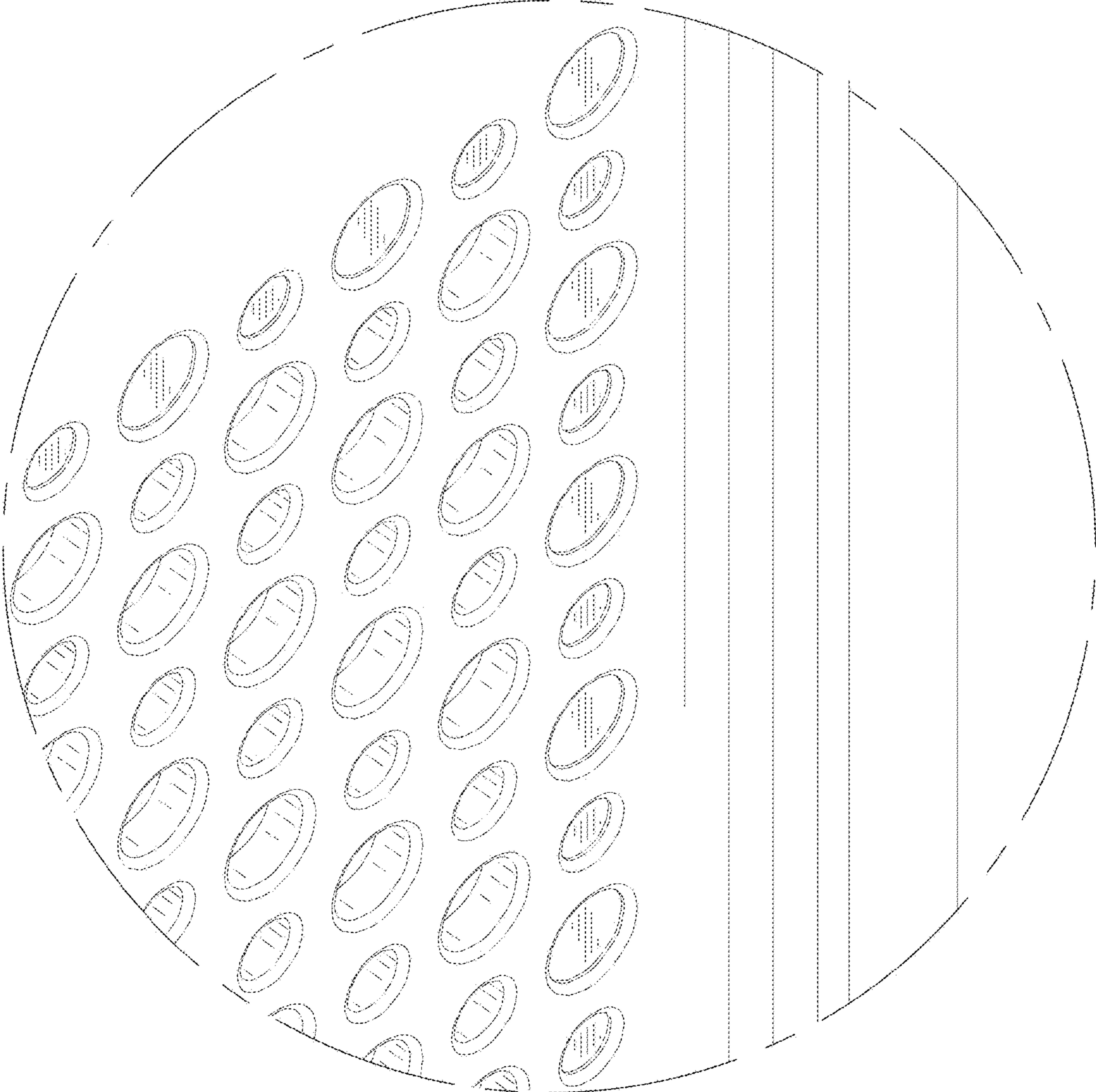


FIG. 10

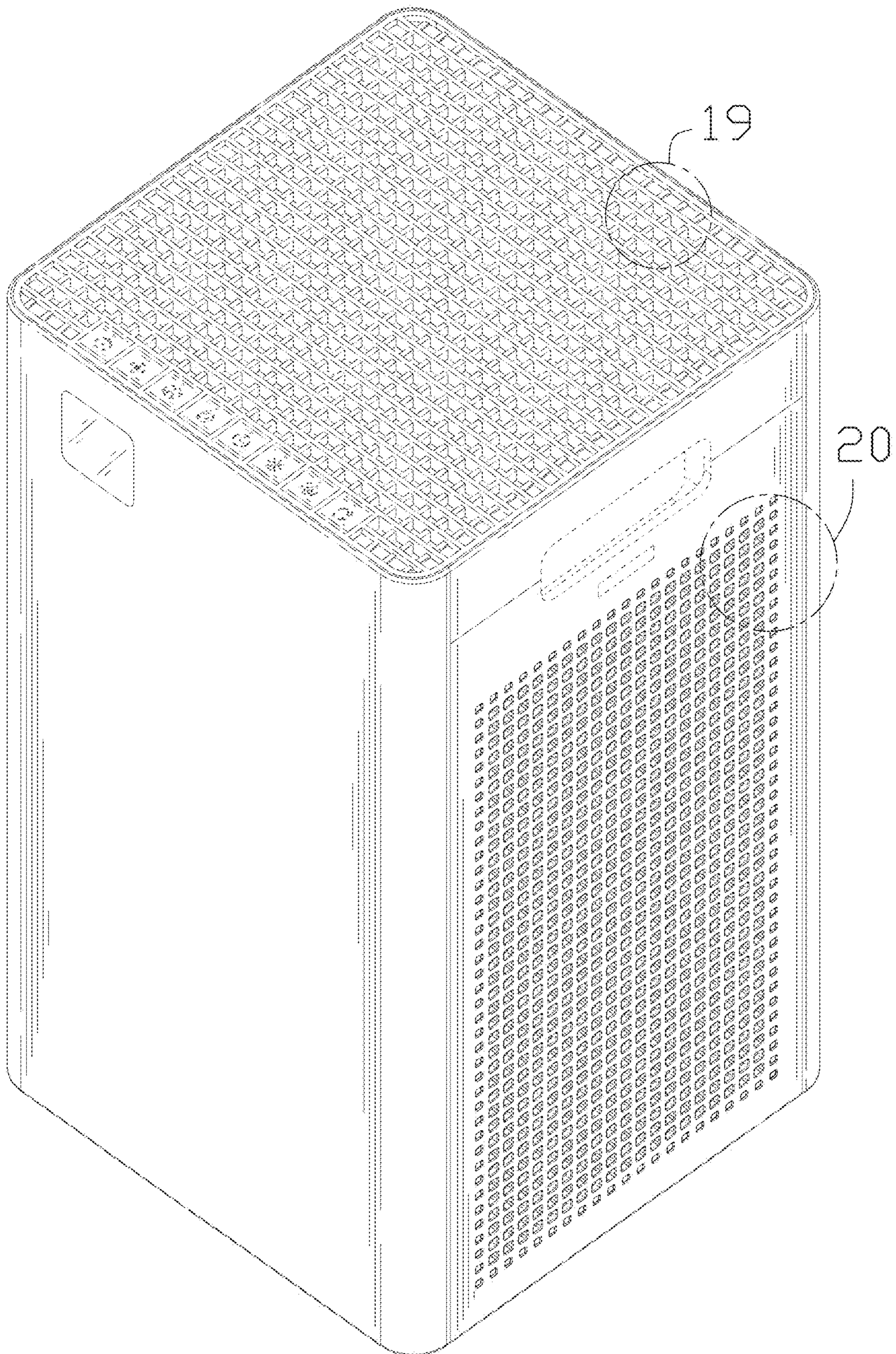


FIG. 11

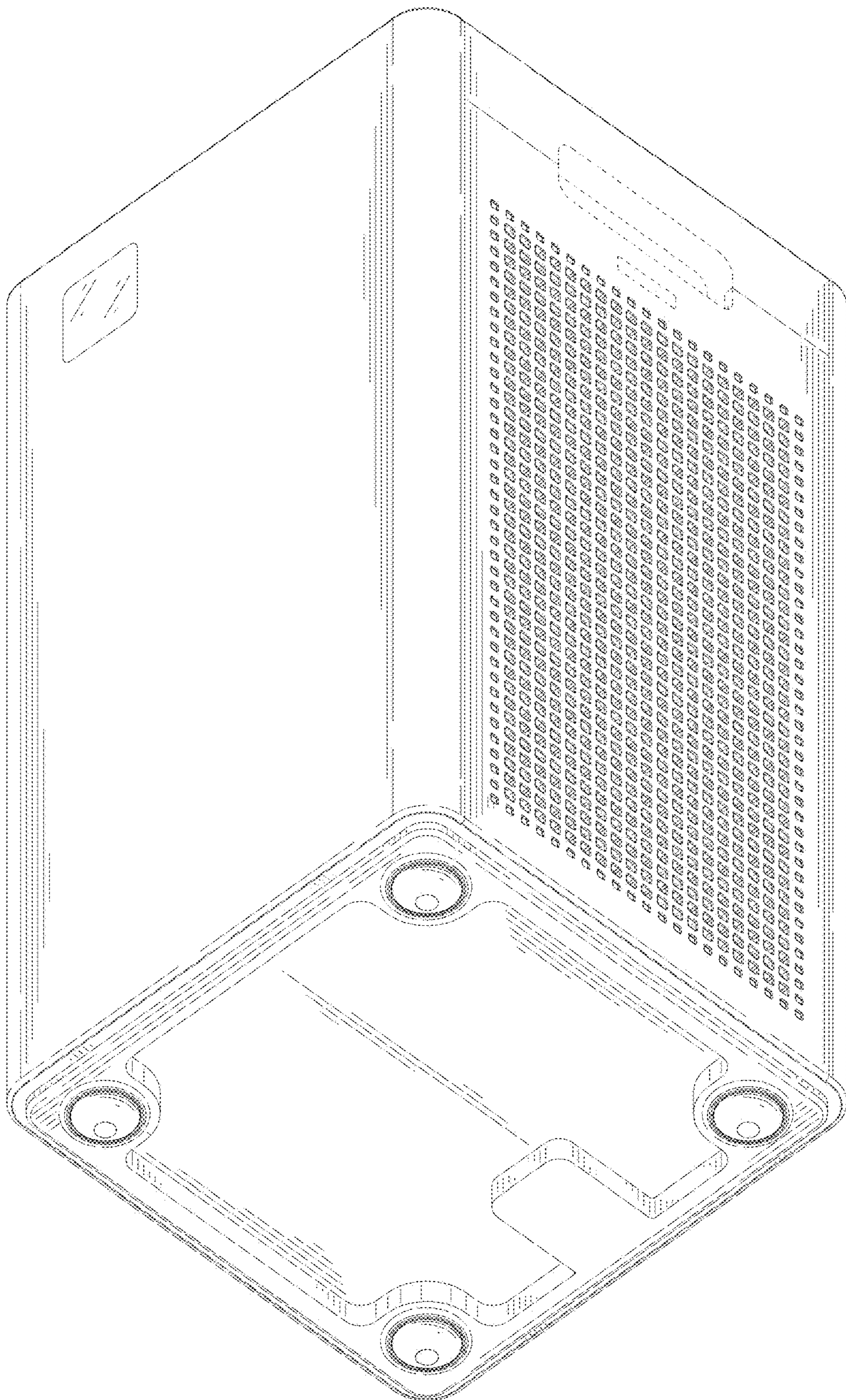


FIG. 12

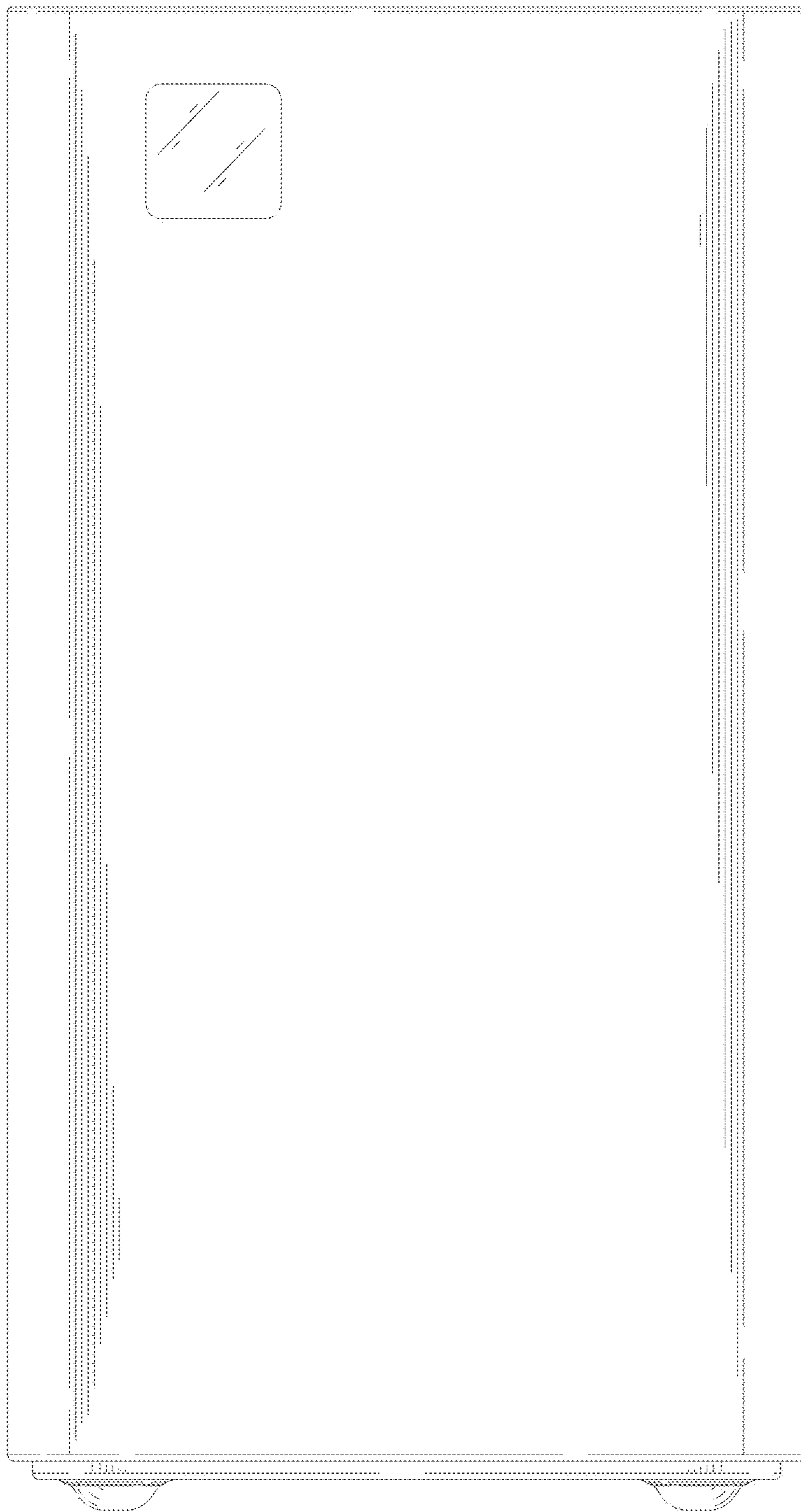


FIG. 13

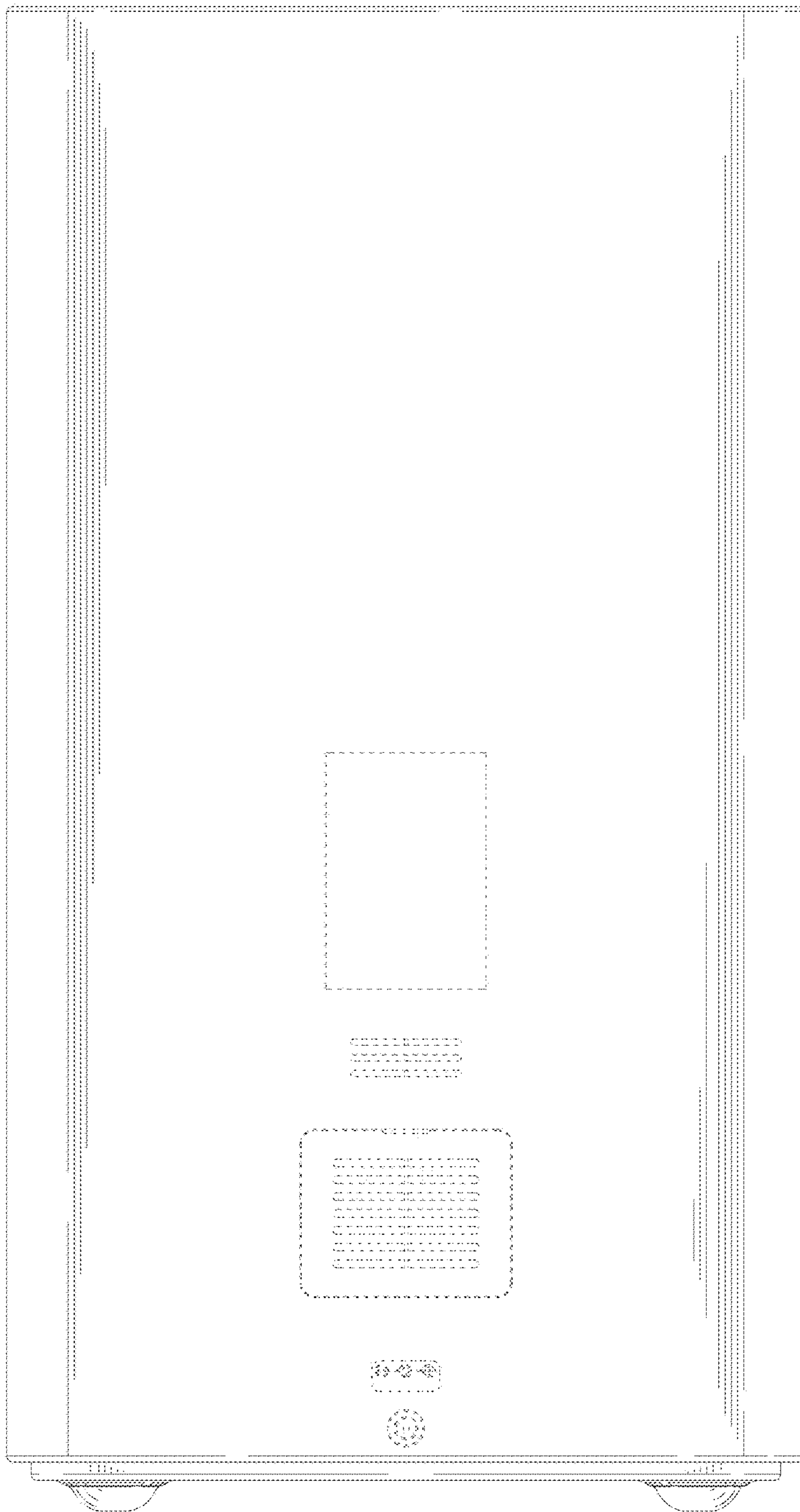


FIG. 14



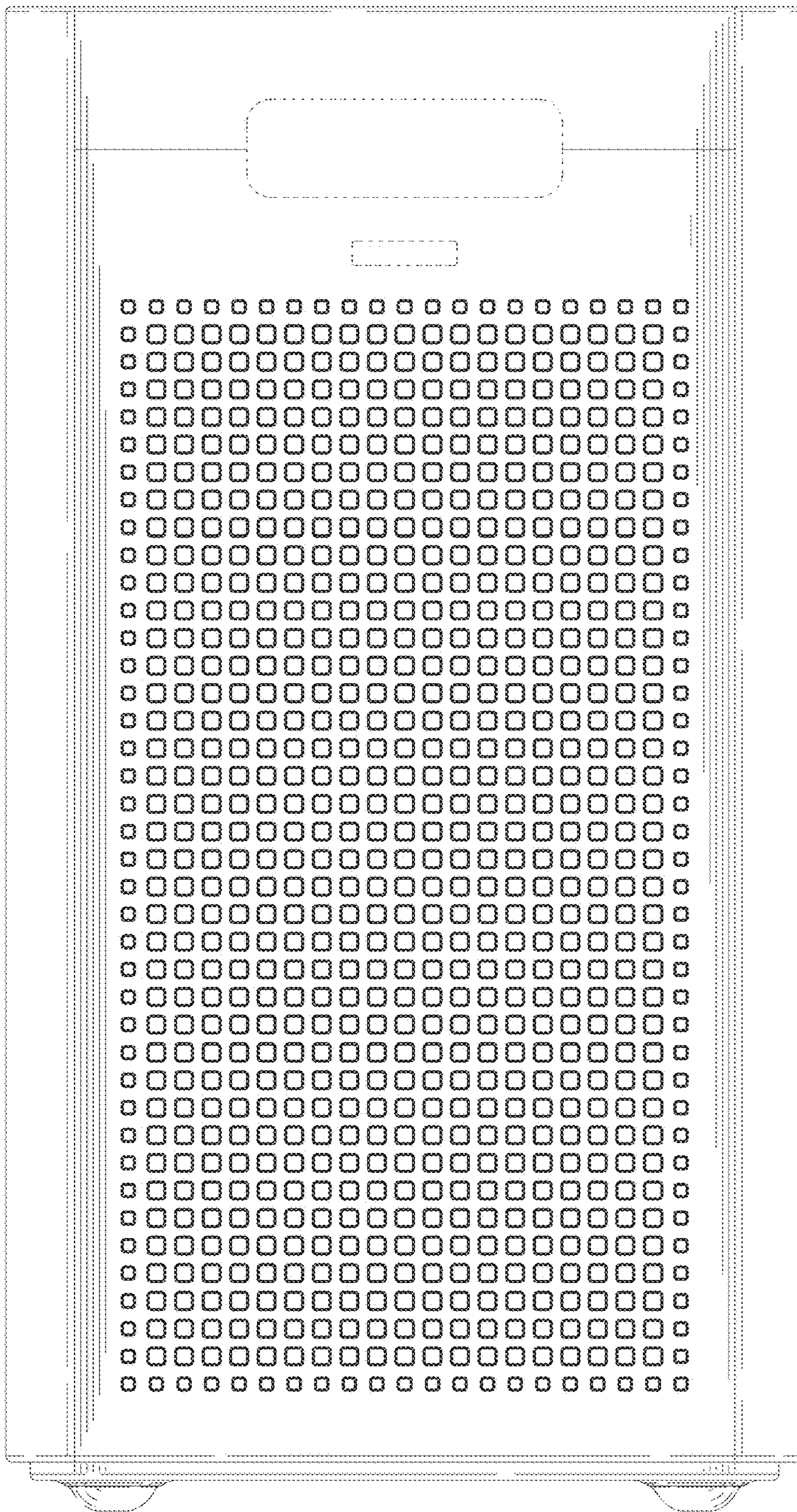


FIG. 15

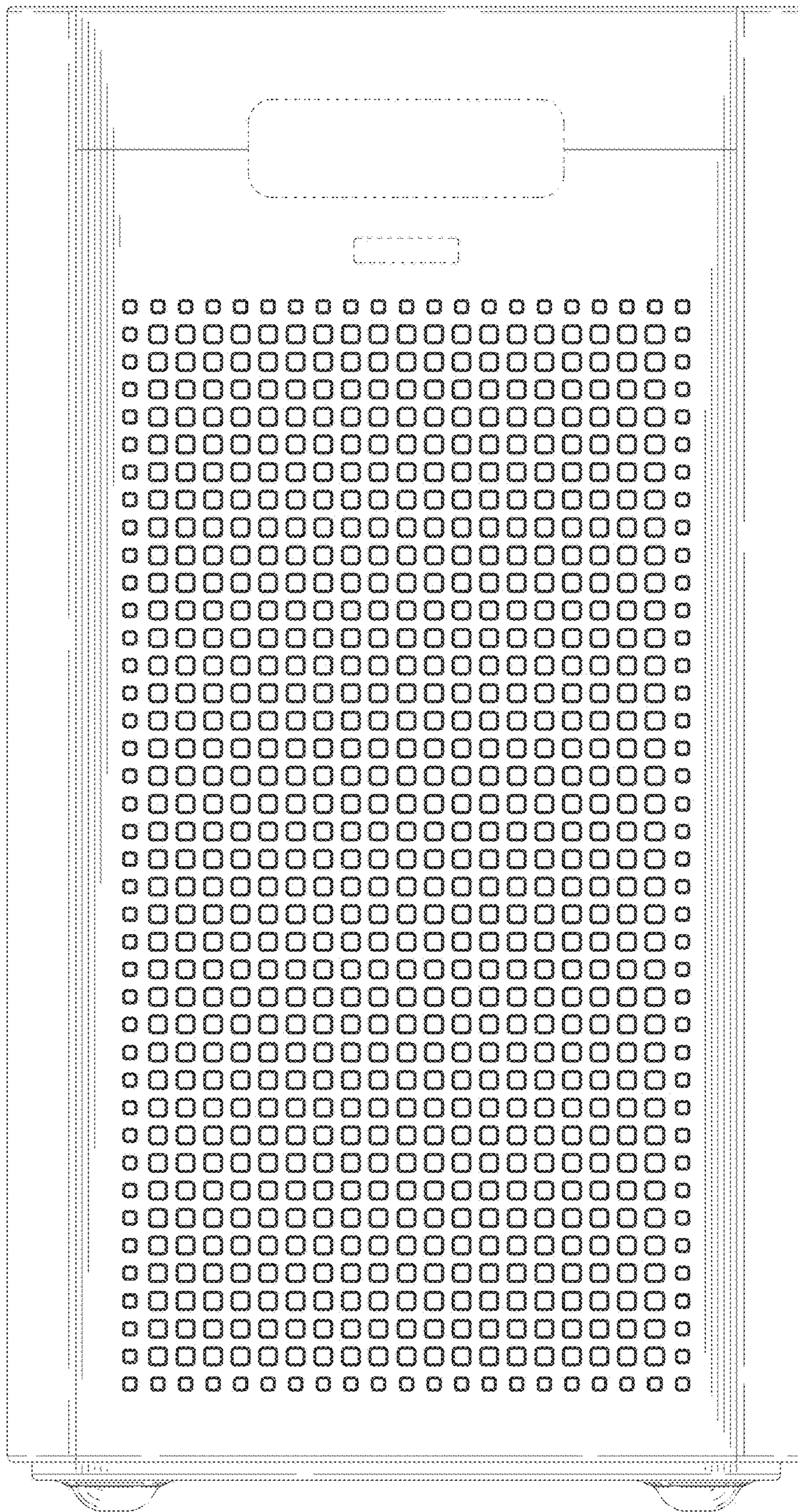


FIG. 16

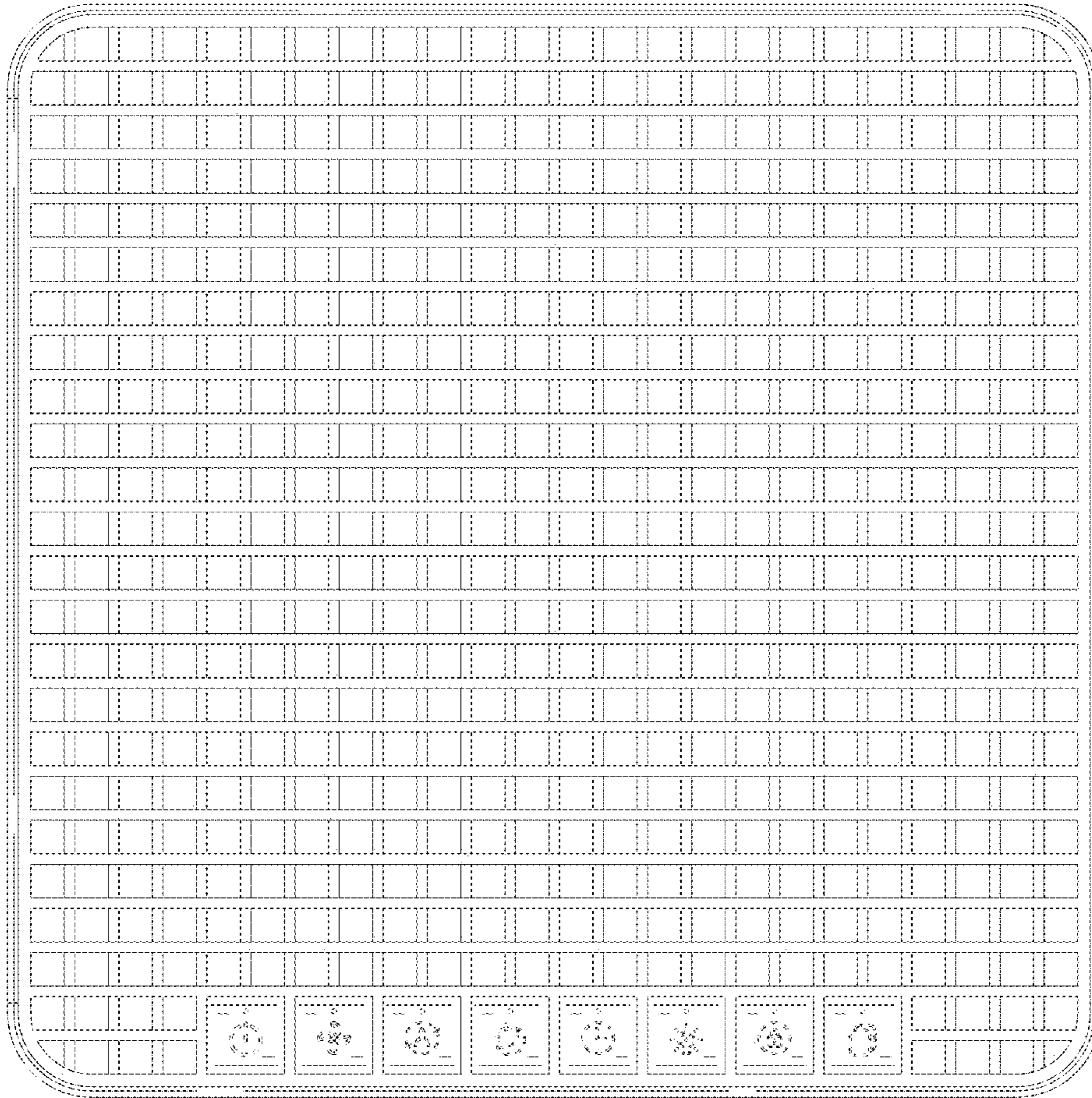


FIG. 17

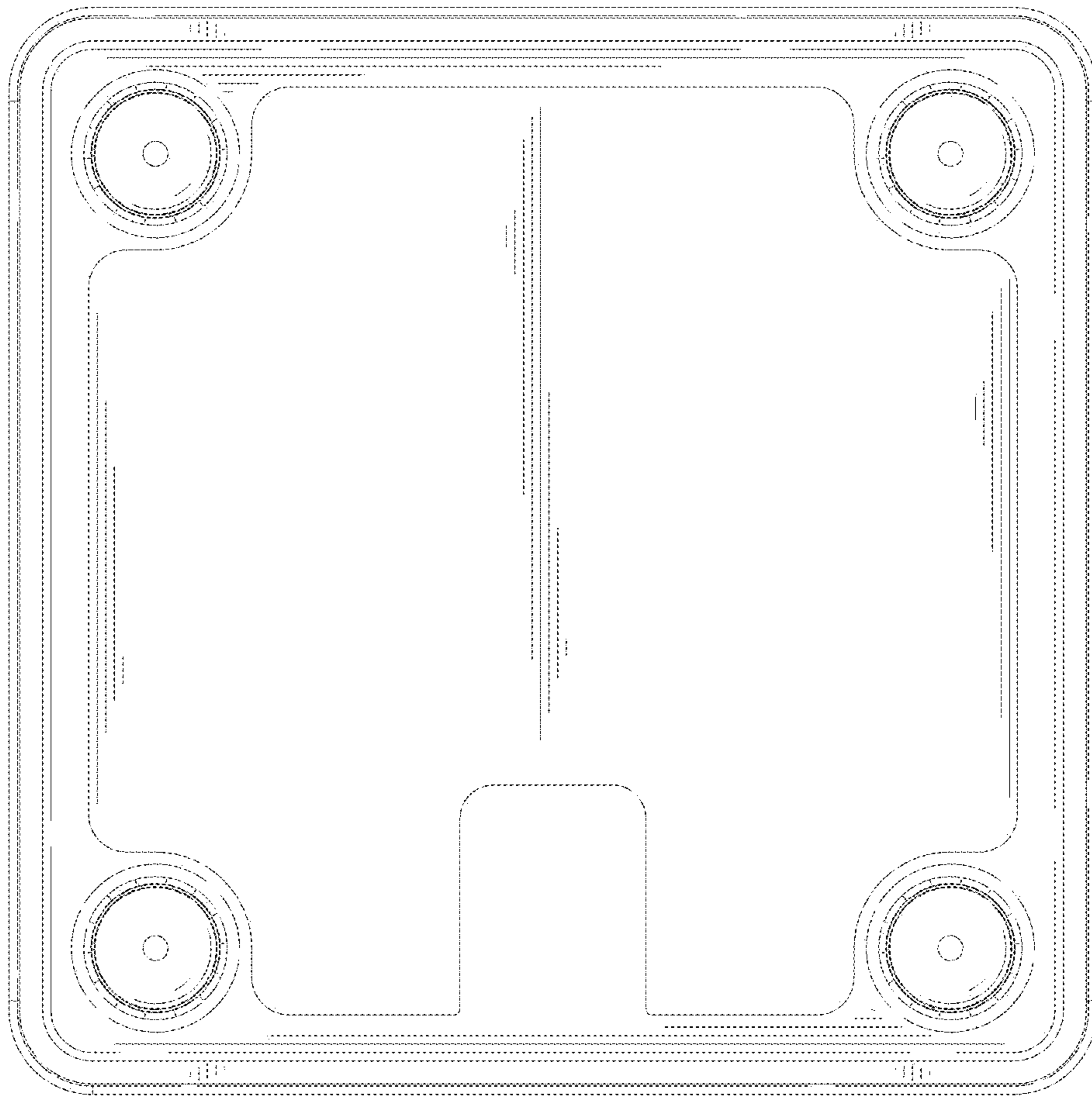


FIG. 18

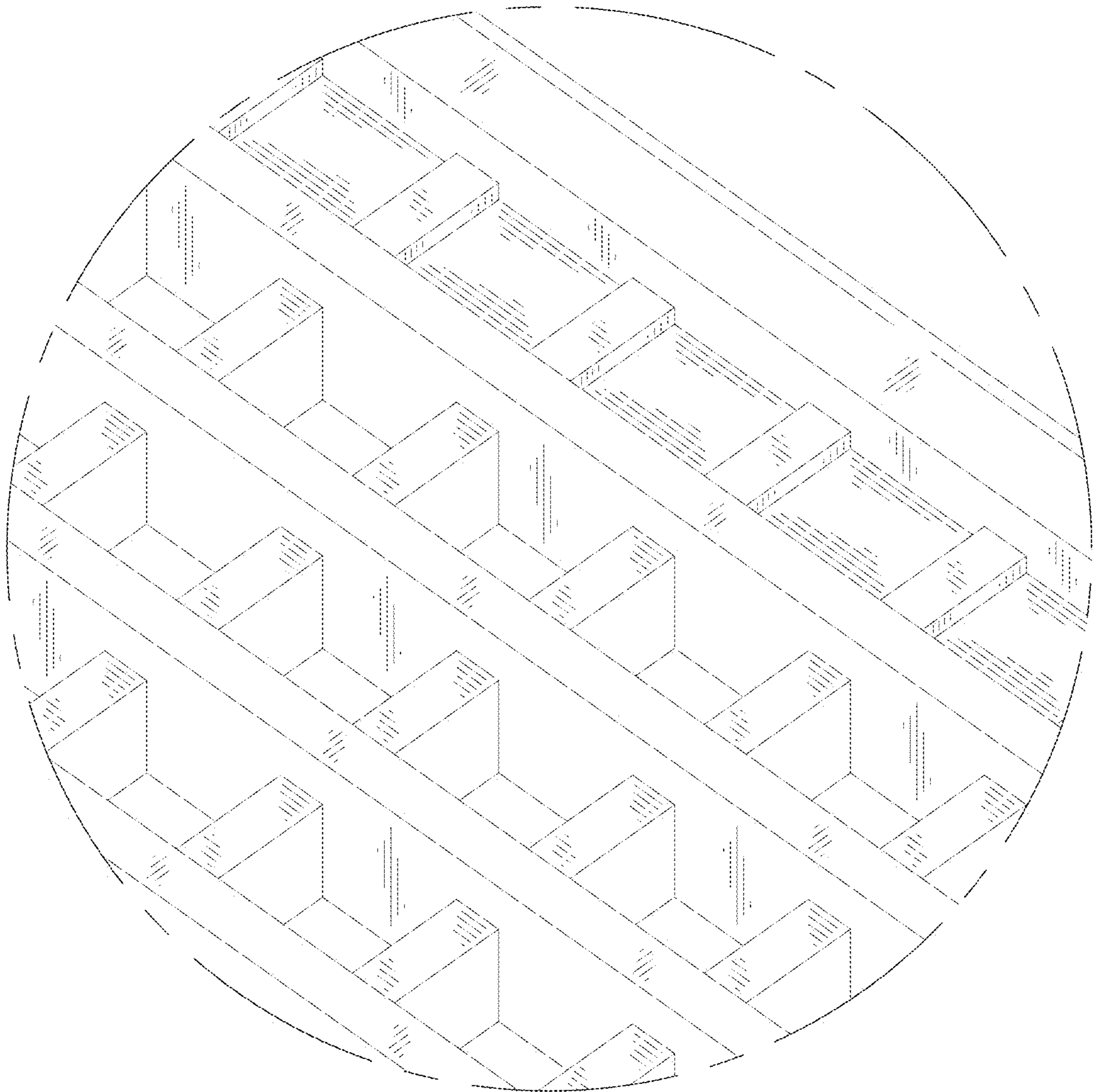


FIG. 19

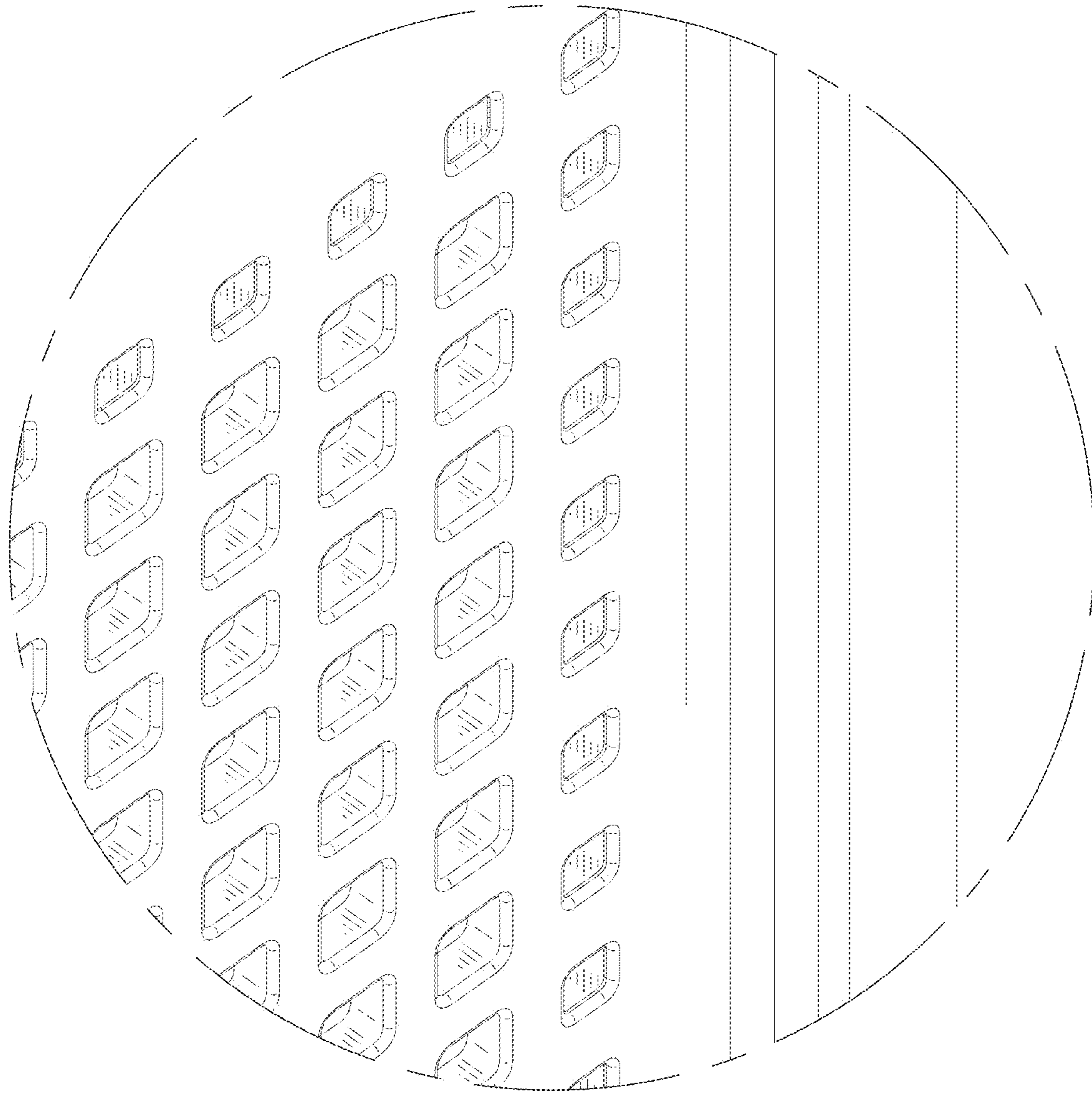


FIG. 20

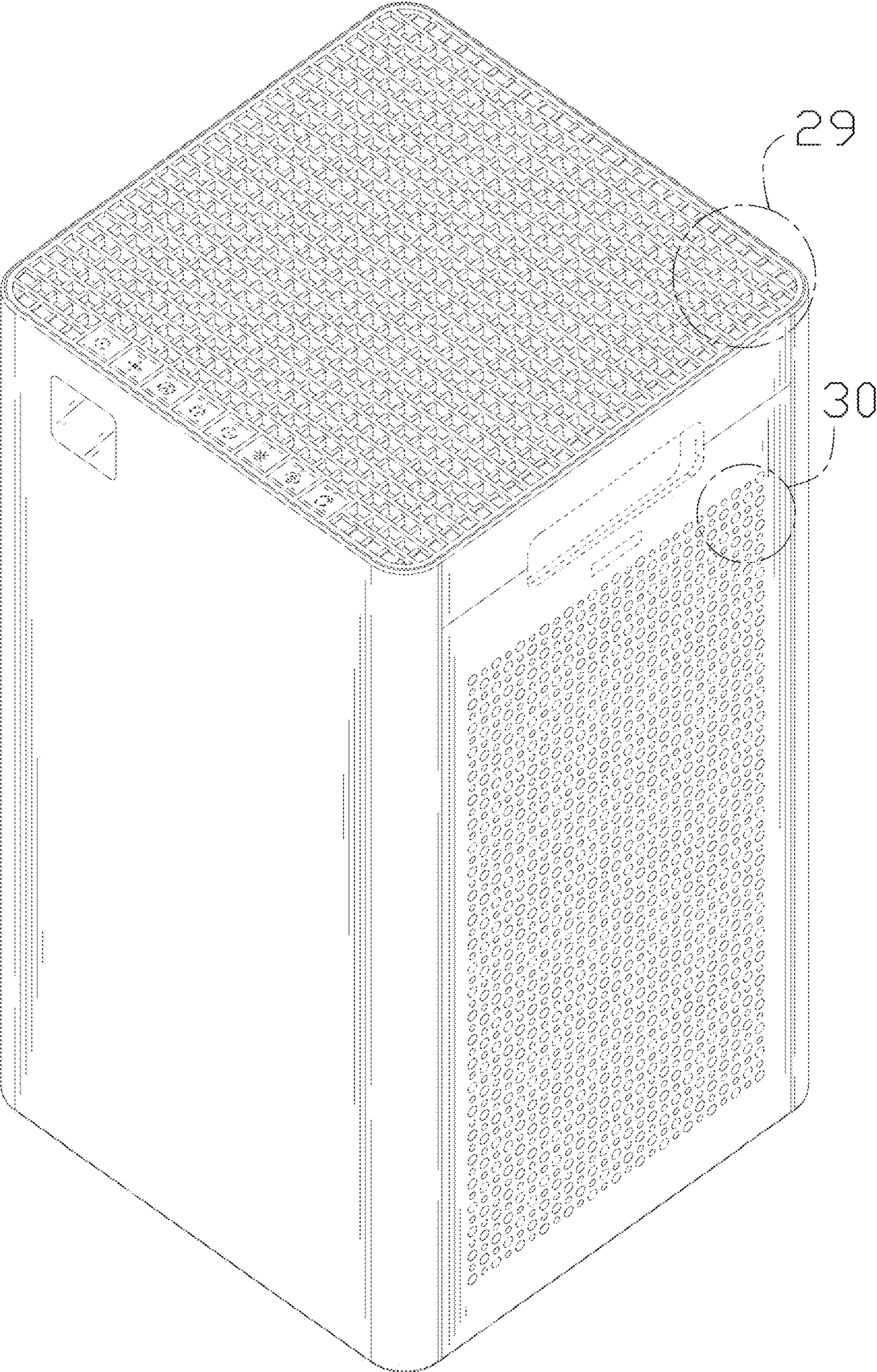


FIG. 21

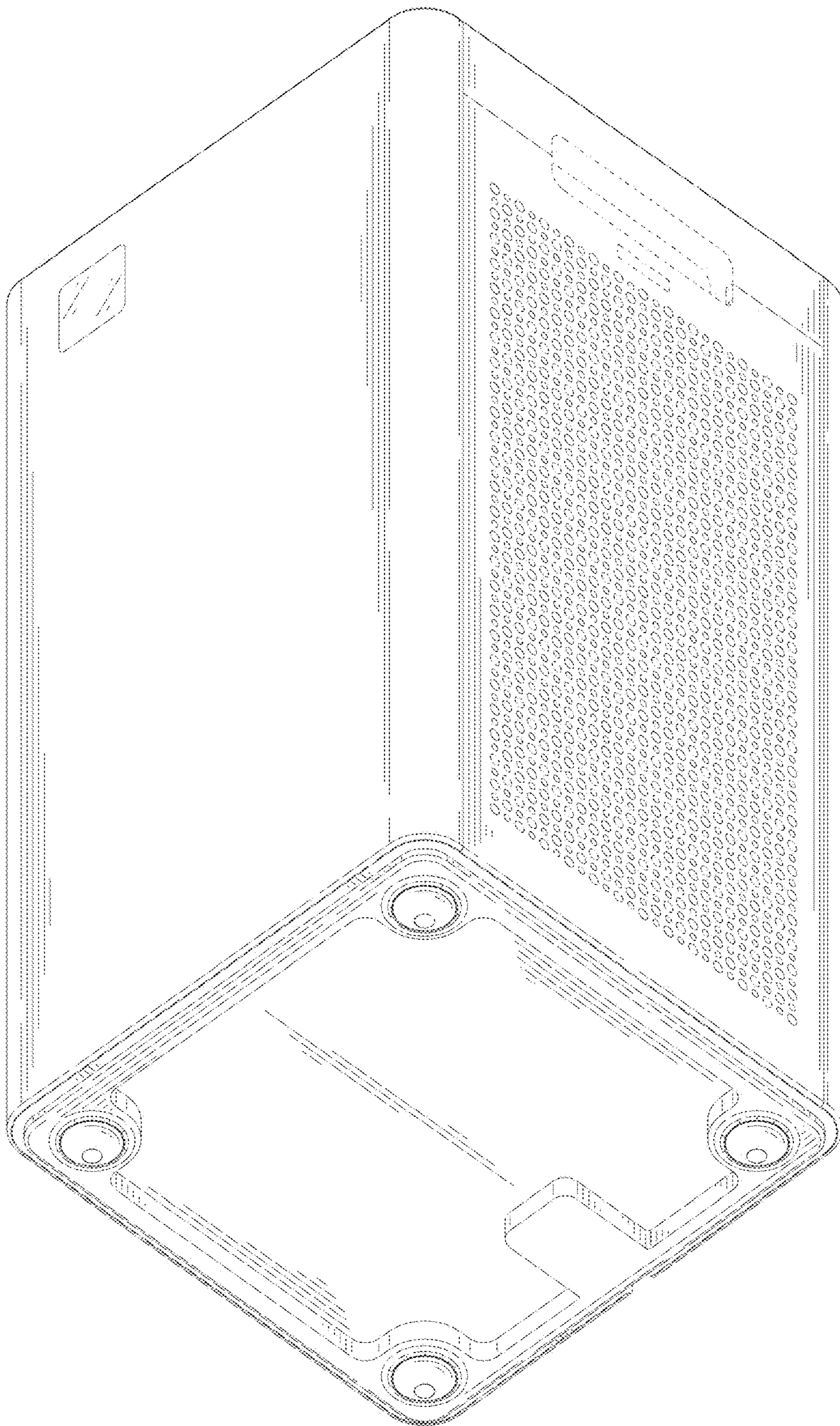


FIG. 22



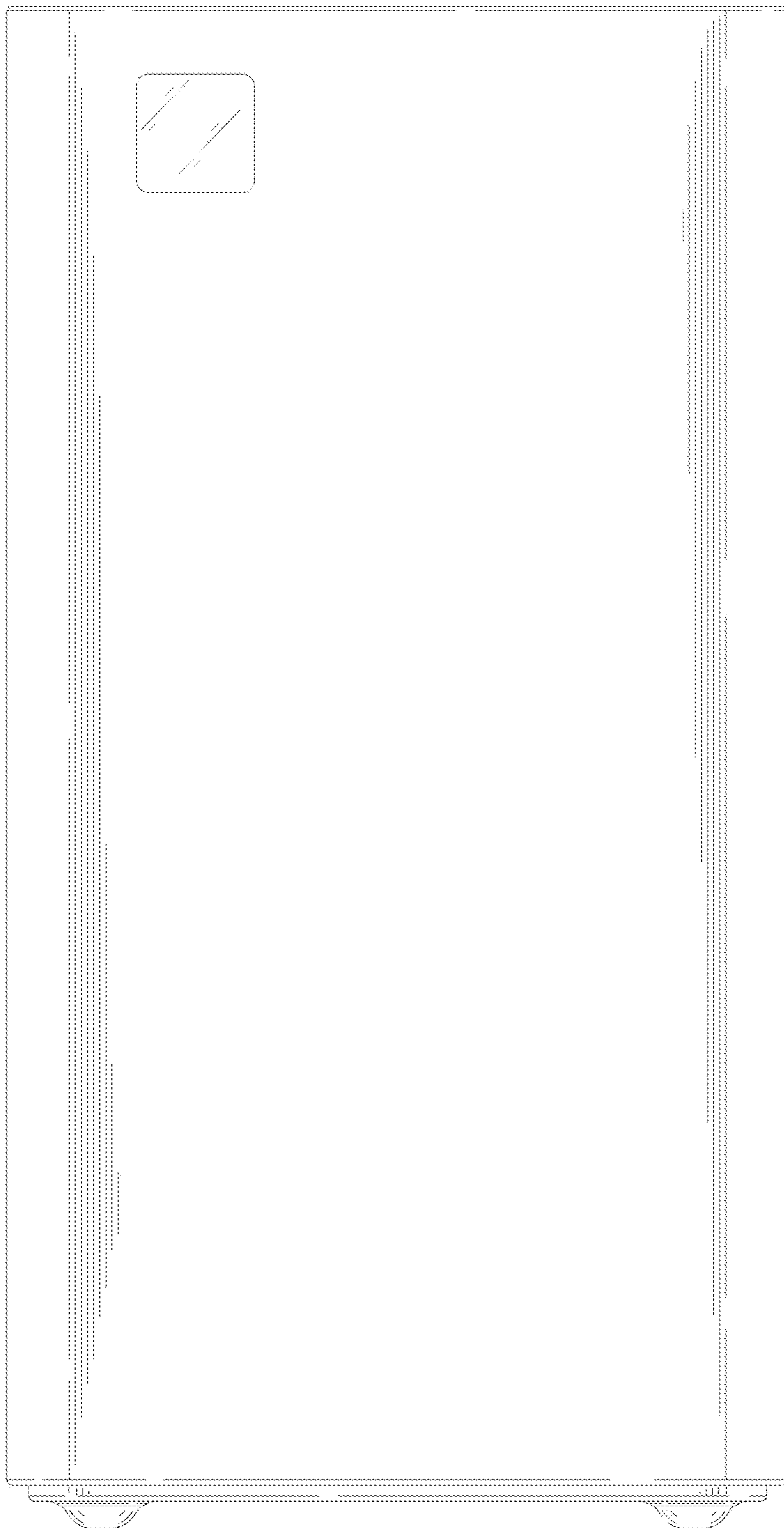


FIG. 23

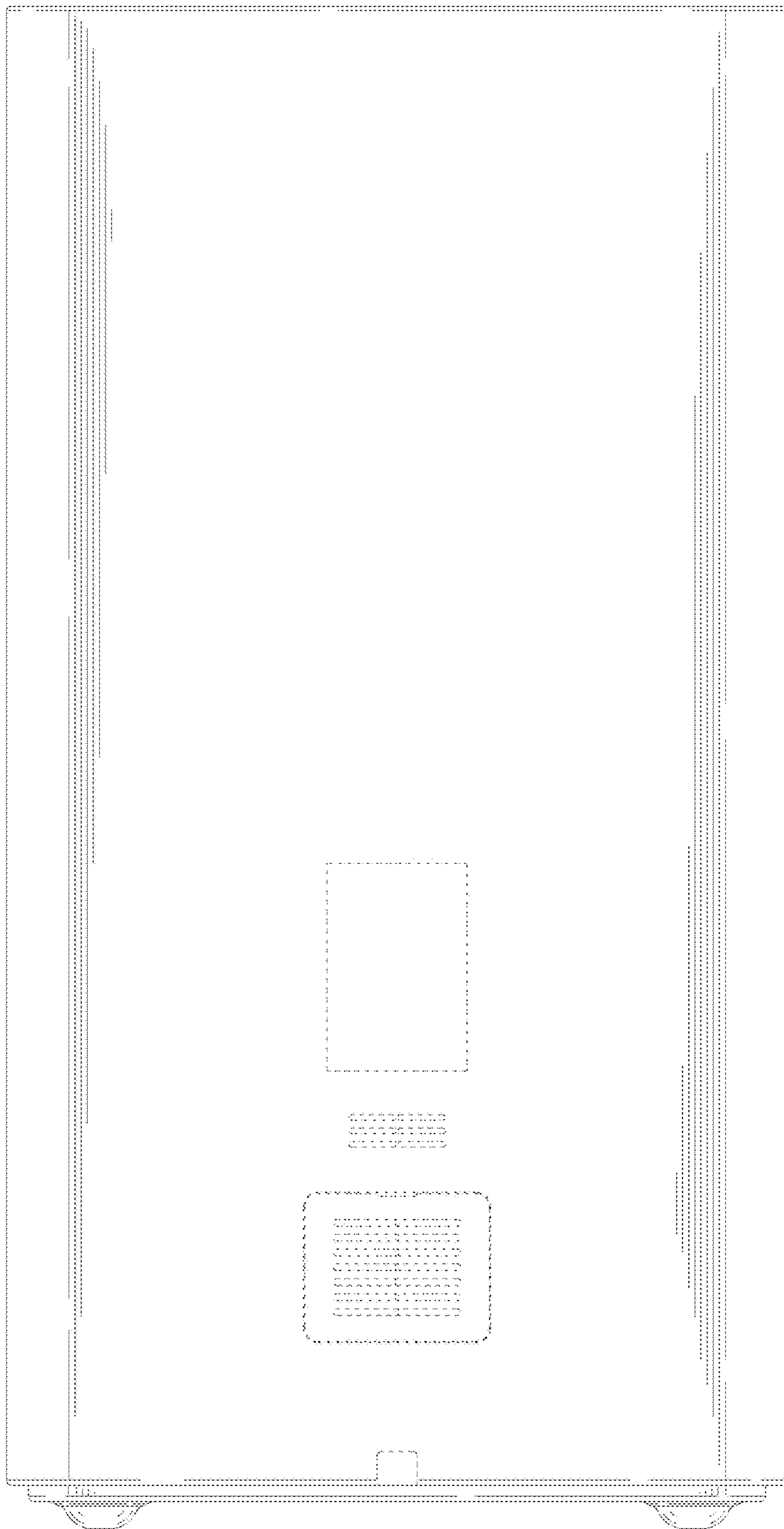


FIG. 24

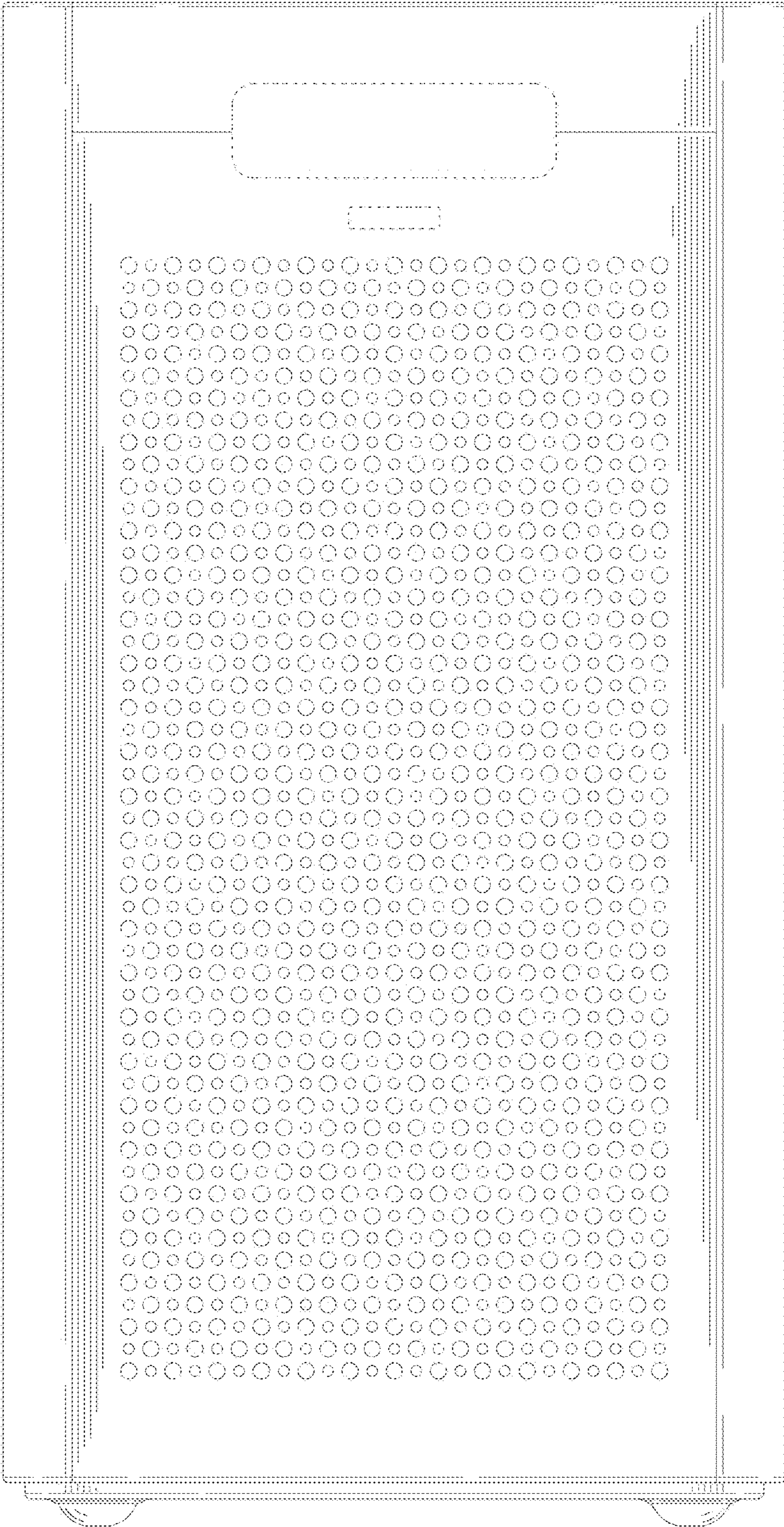


FIG. 25

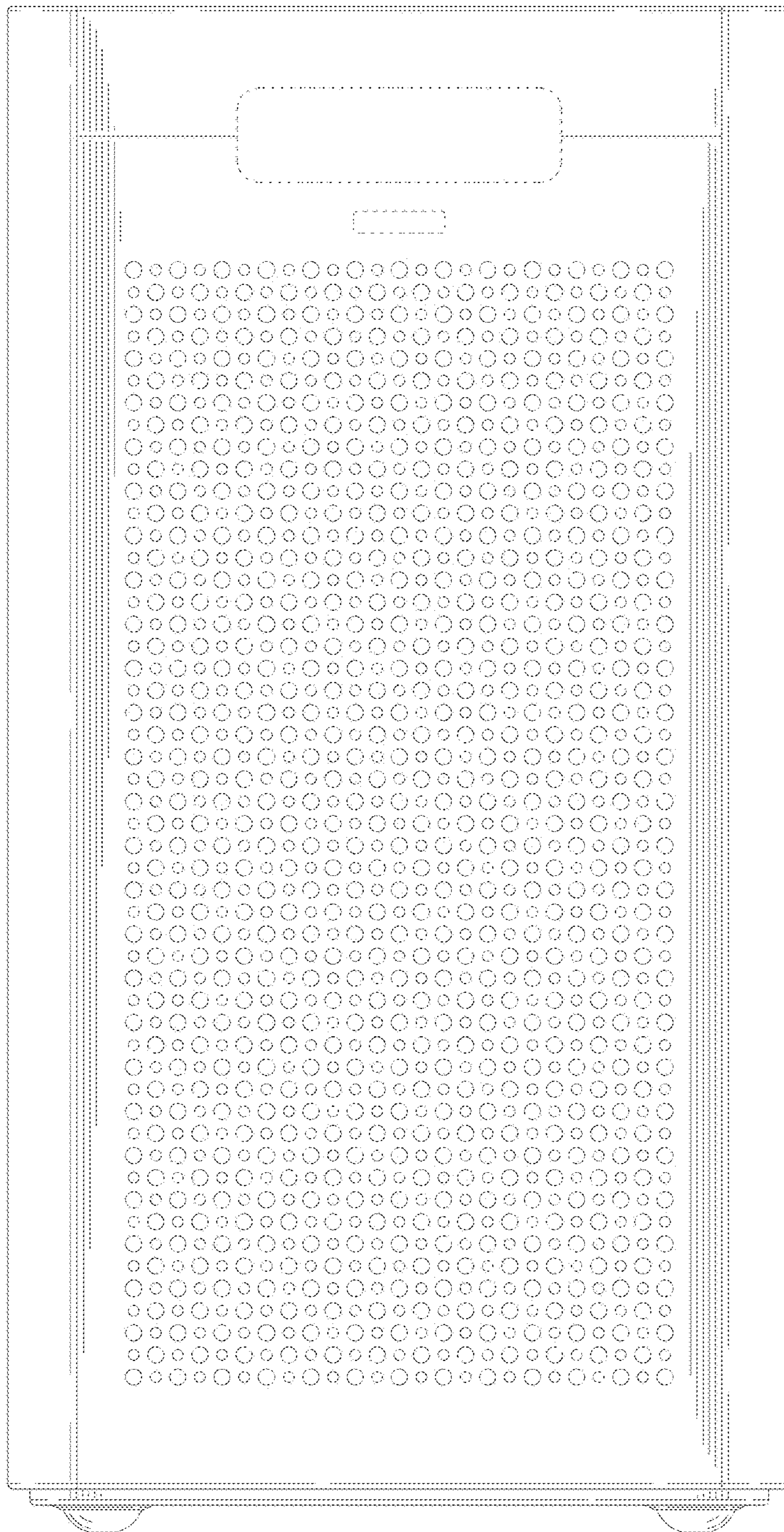


FIG. 26

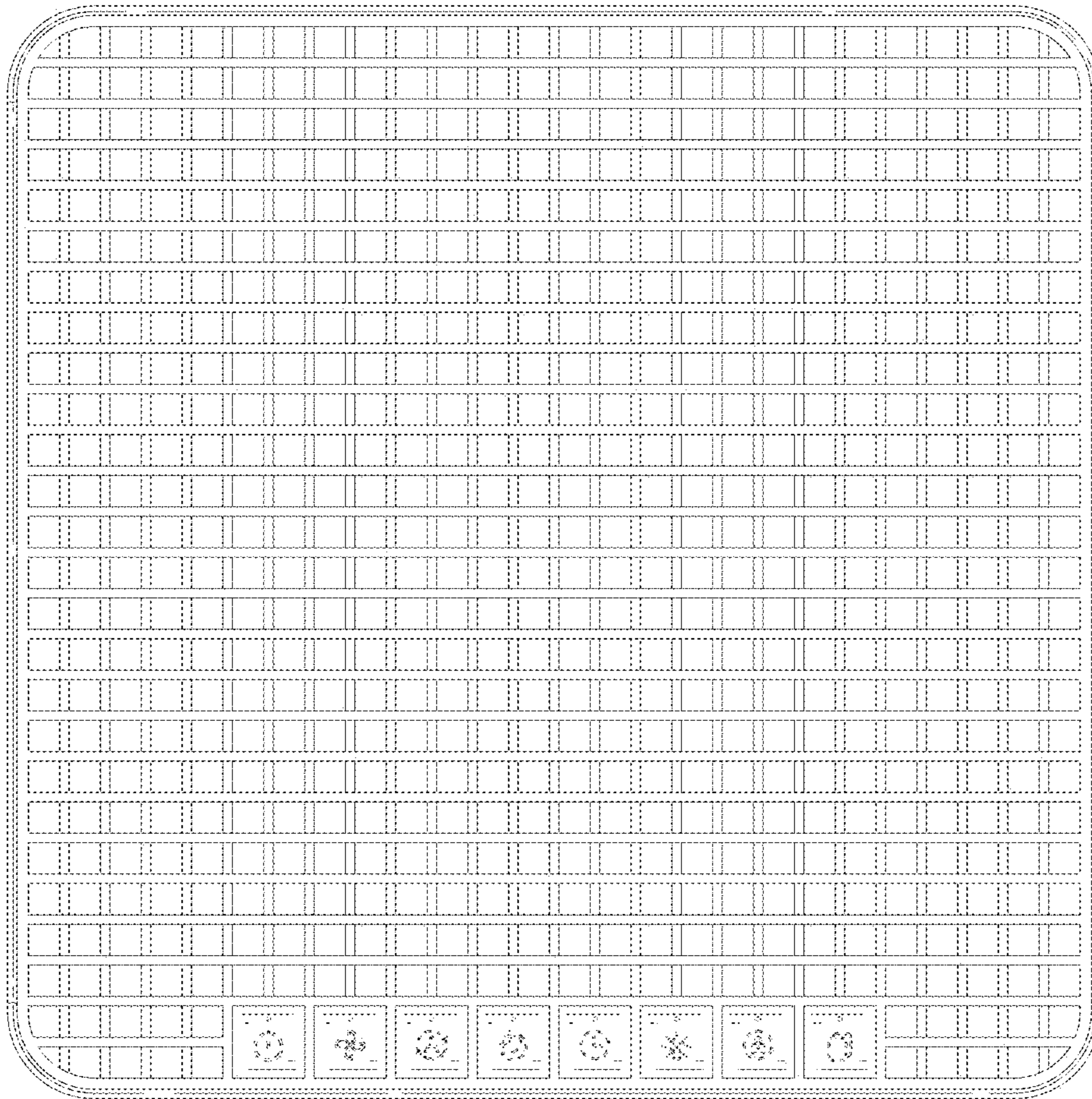


FIG. 27

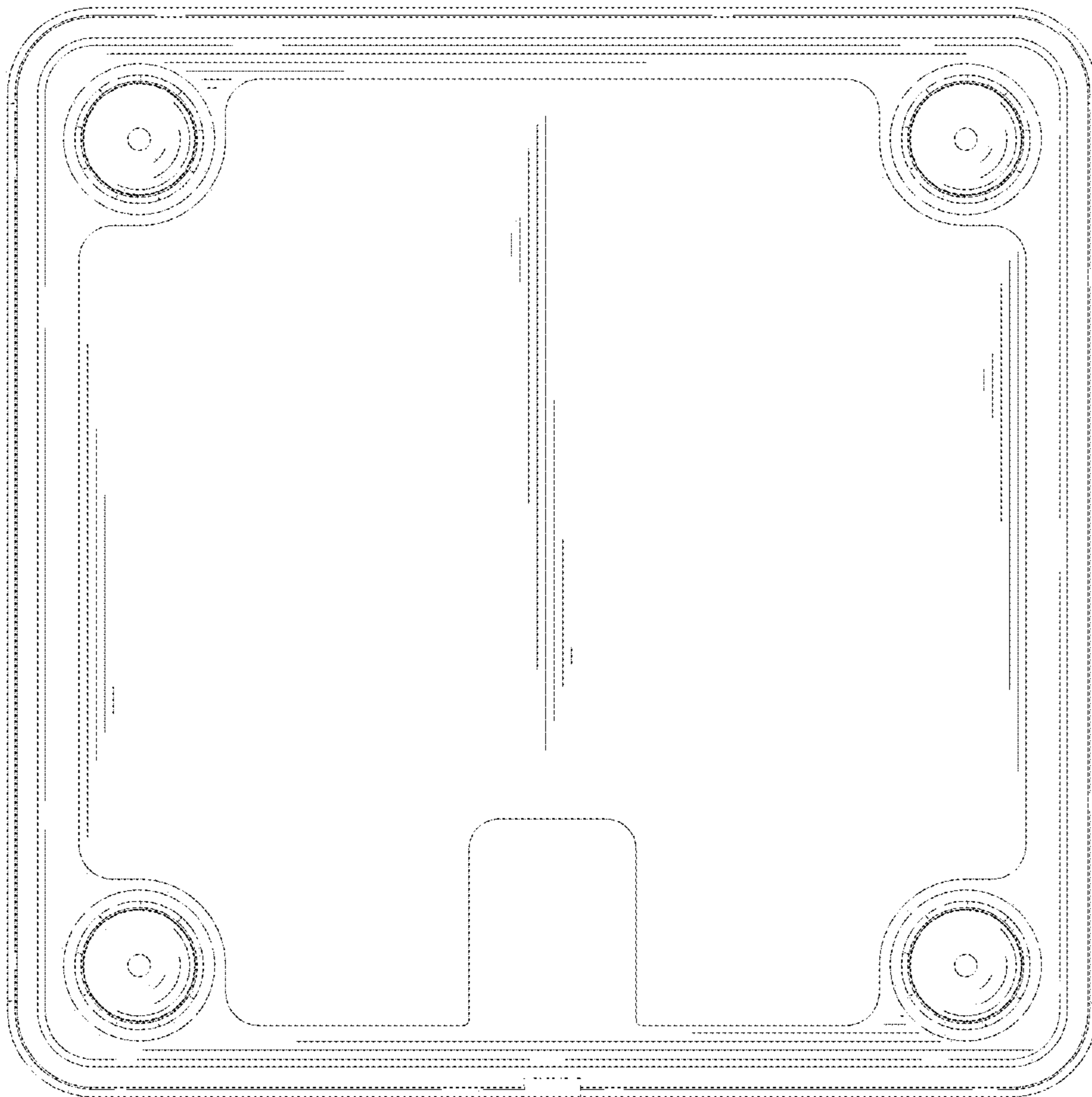


FIG. 28

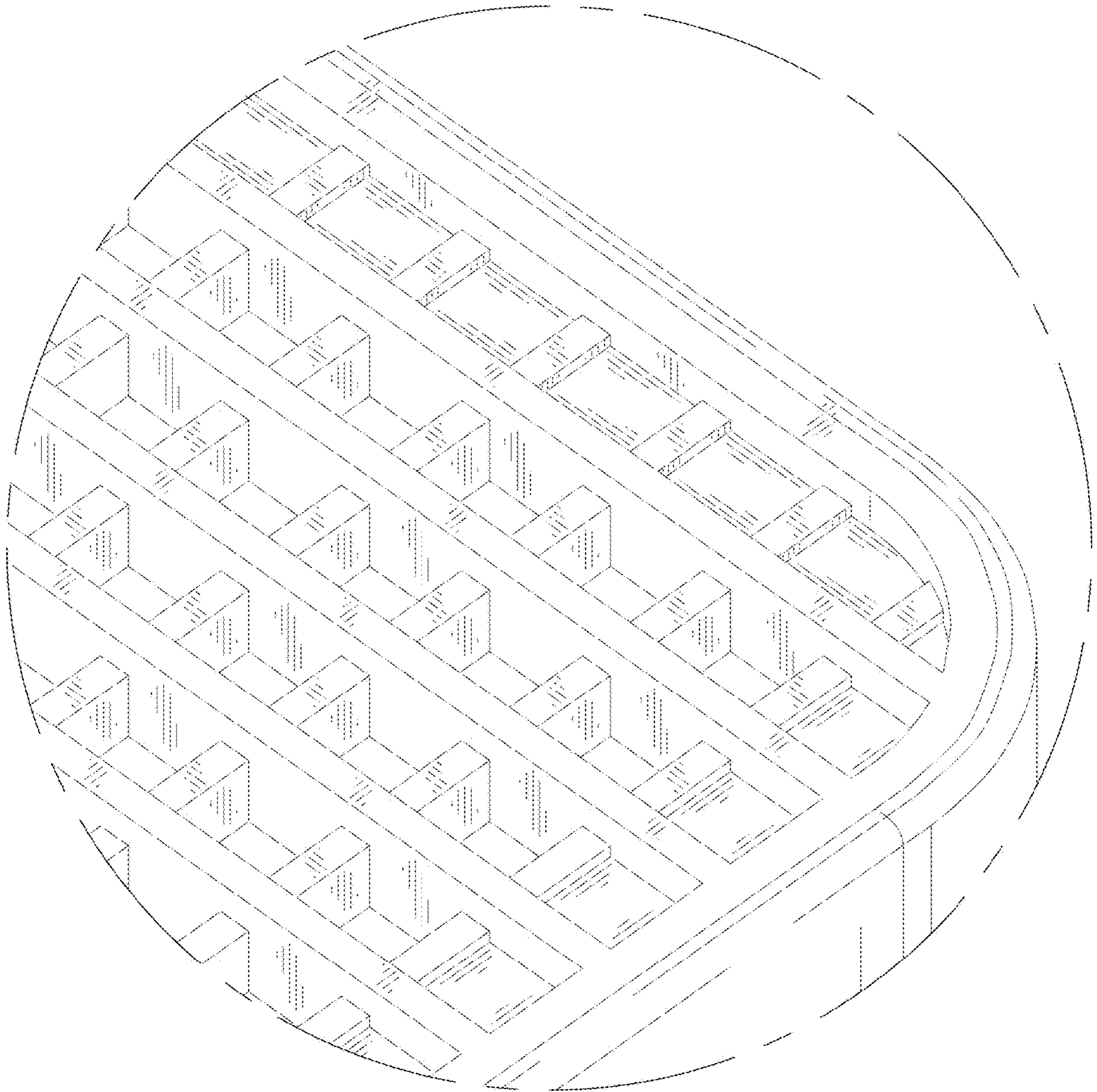


FIG. 29

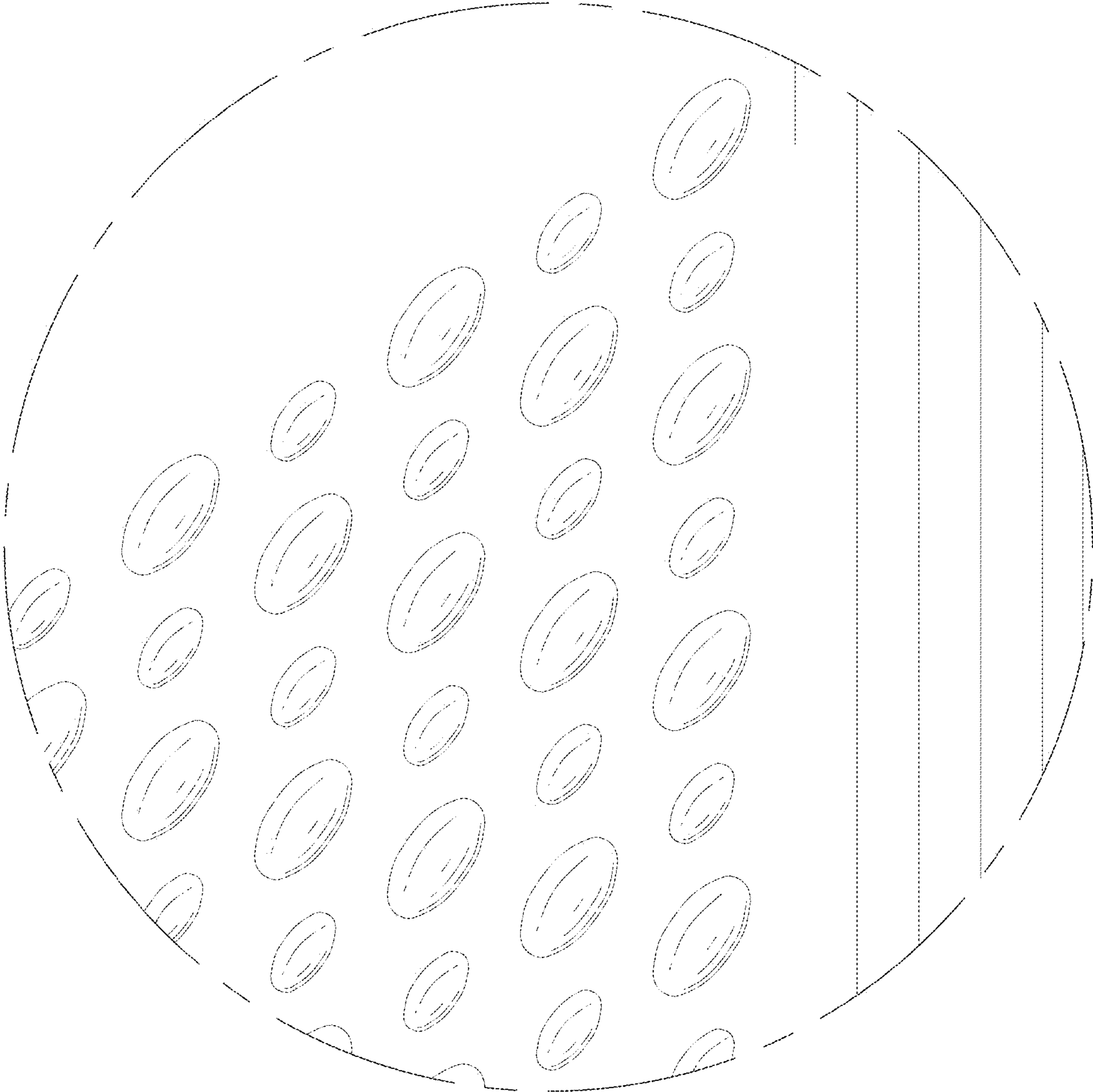


FIG. 30



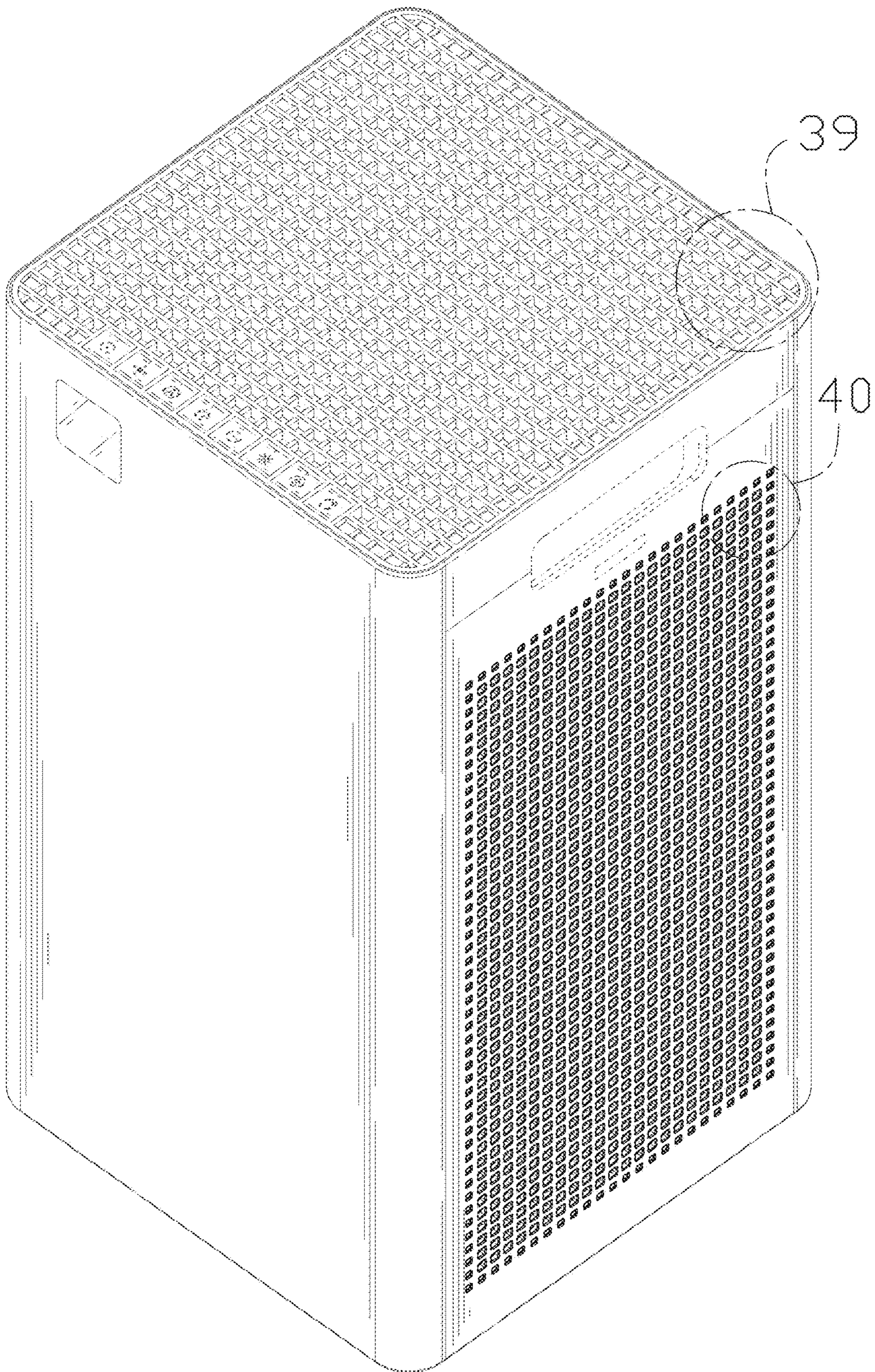


FIG. 31

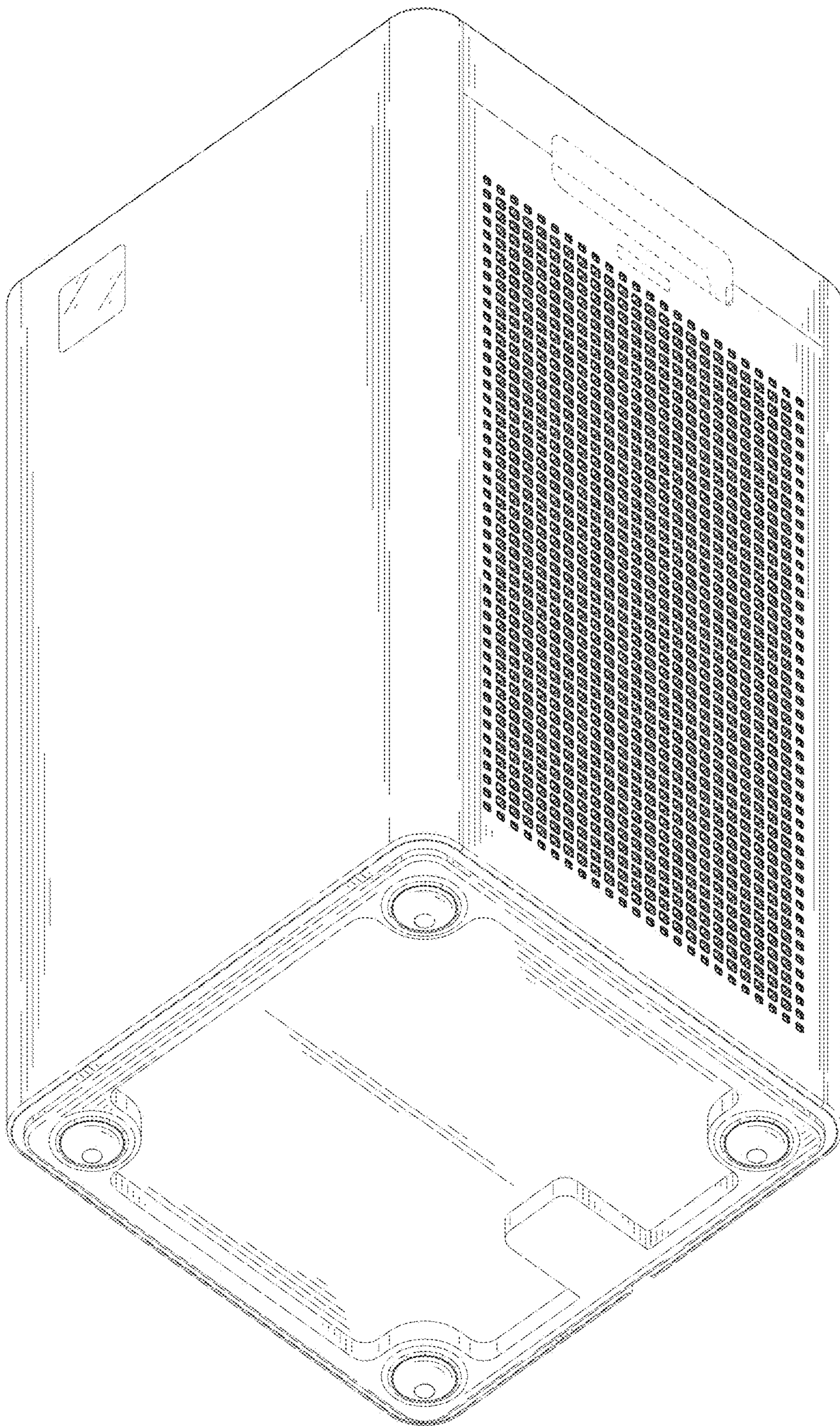


FIG. 32

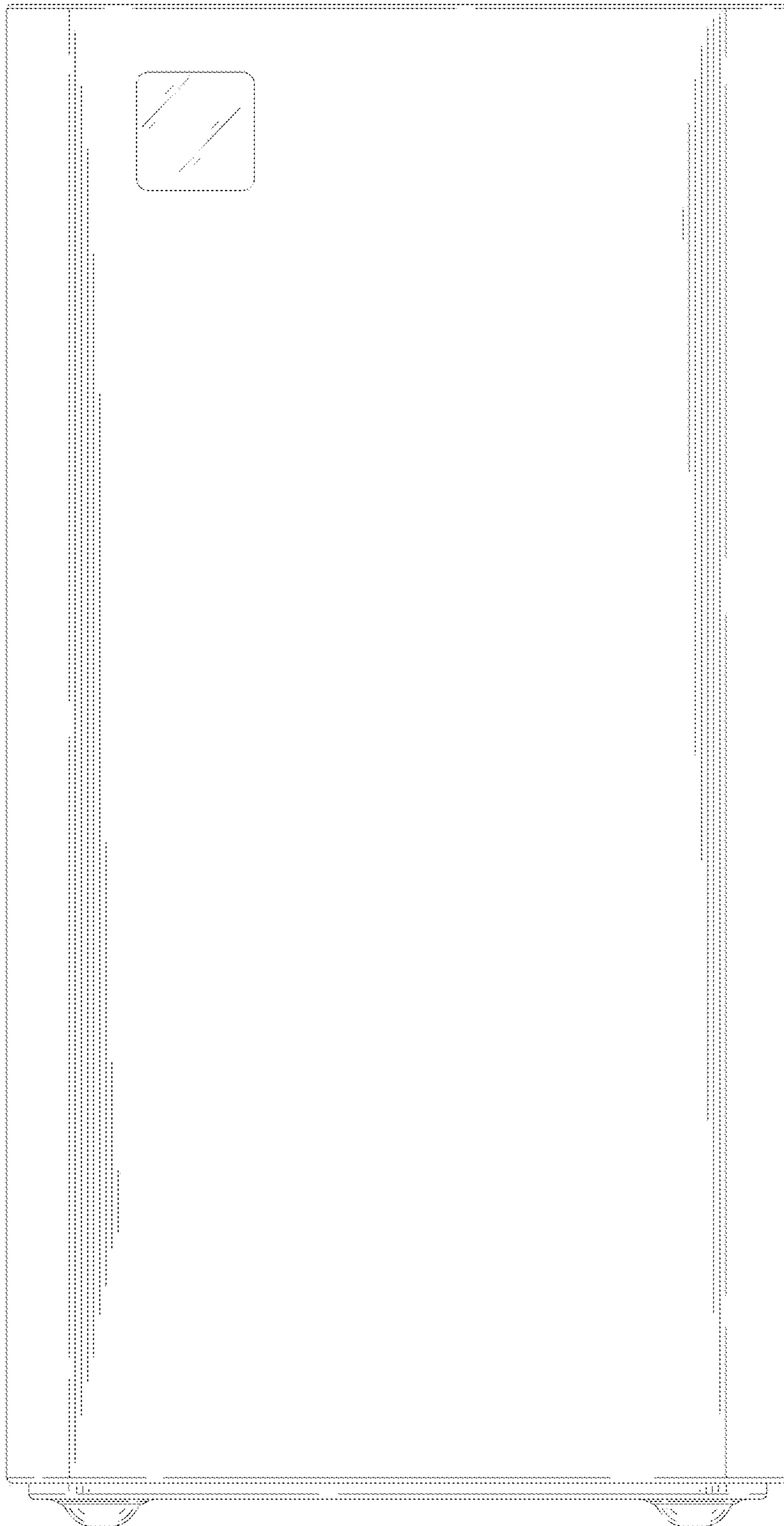


FIG. 33

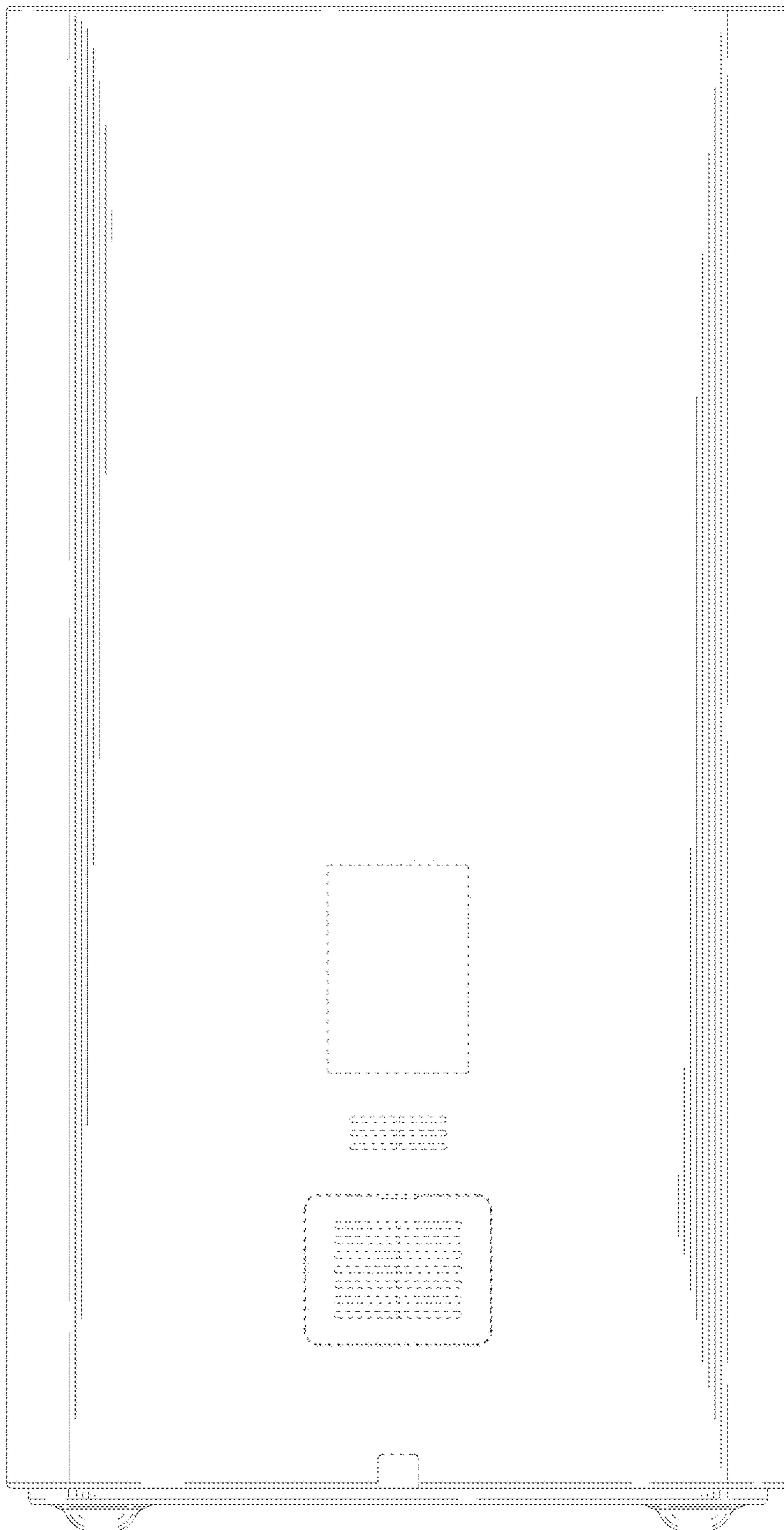


FIG. 34

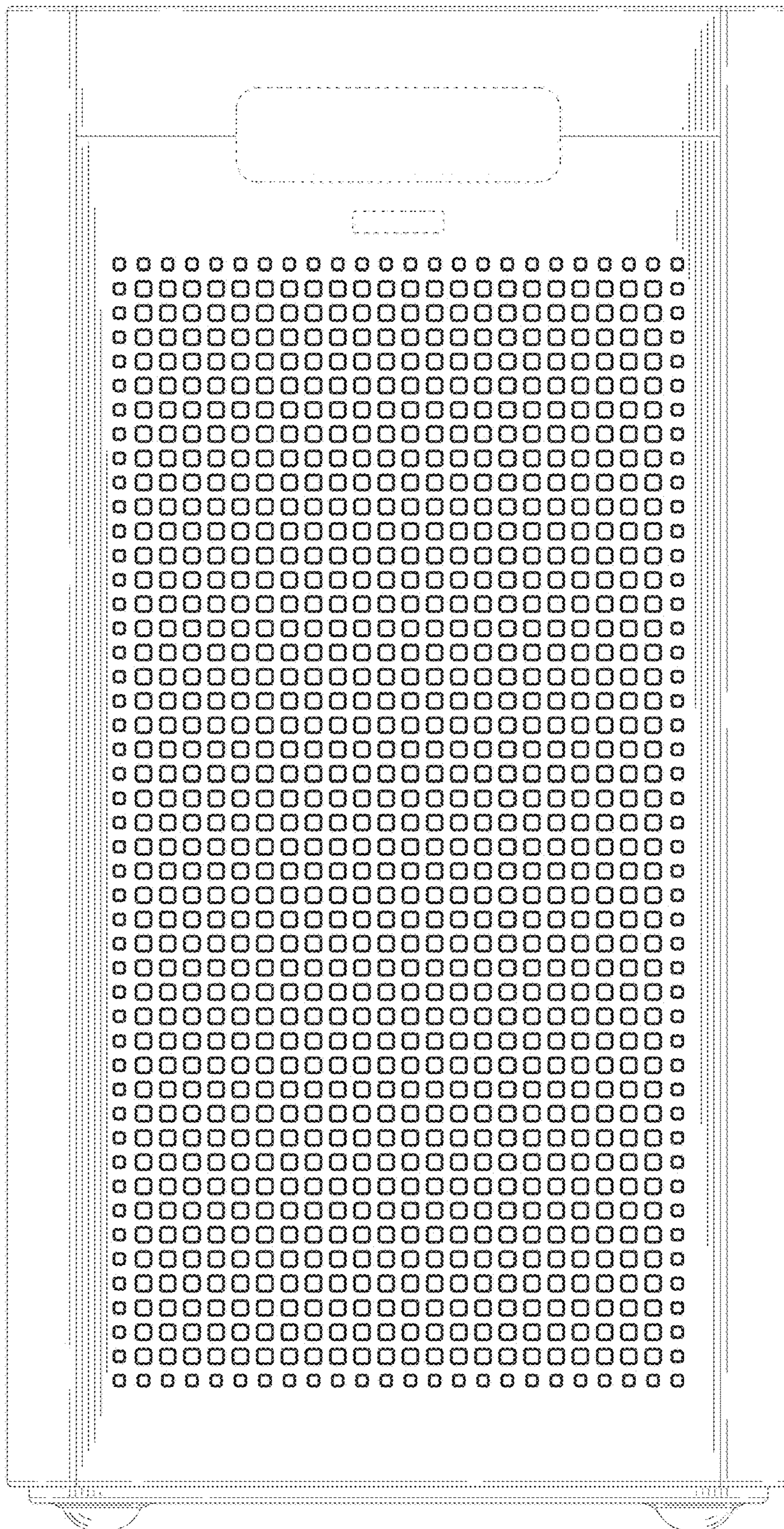


FIG. 35

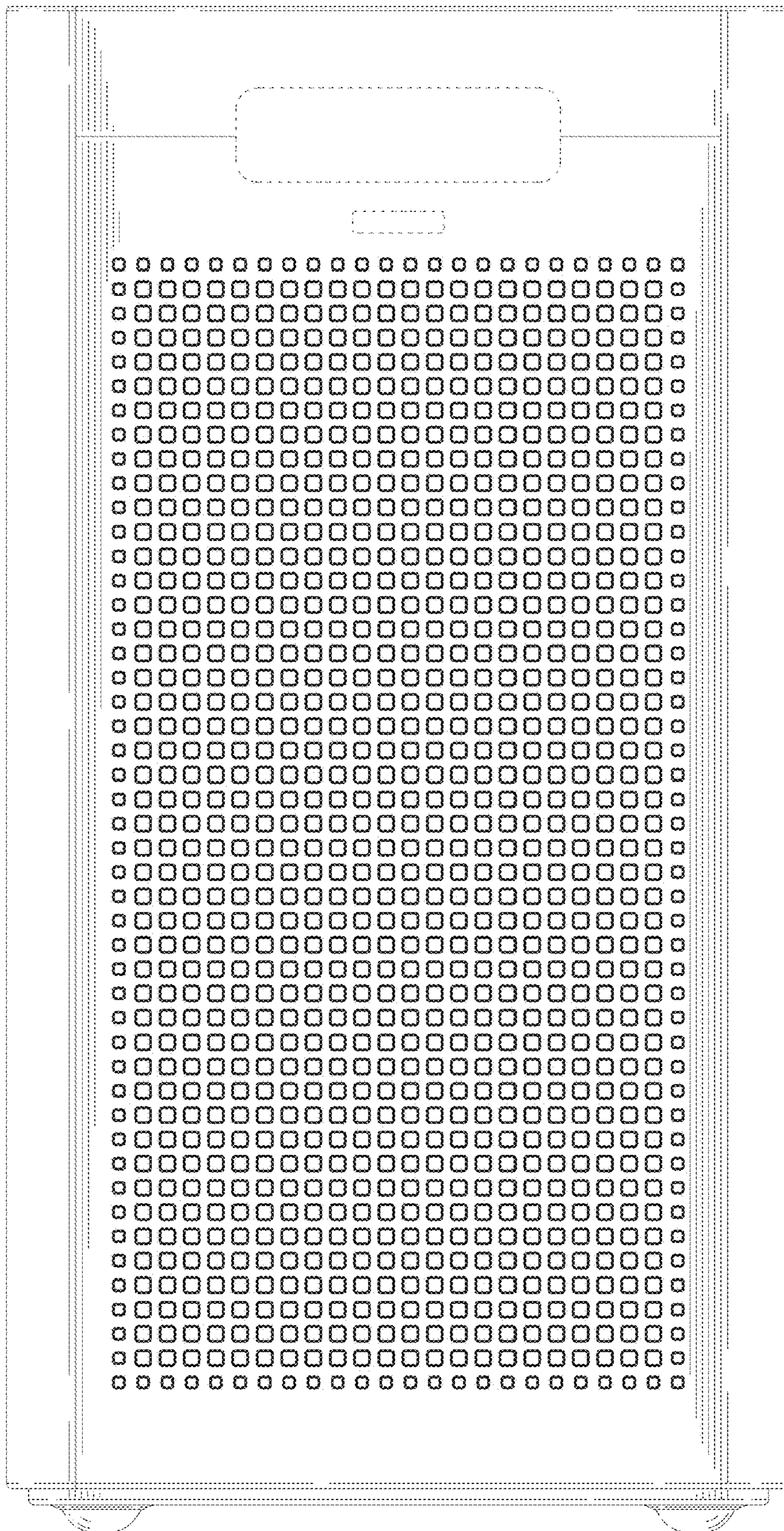


FIG. 36

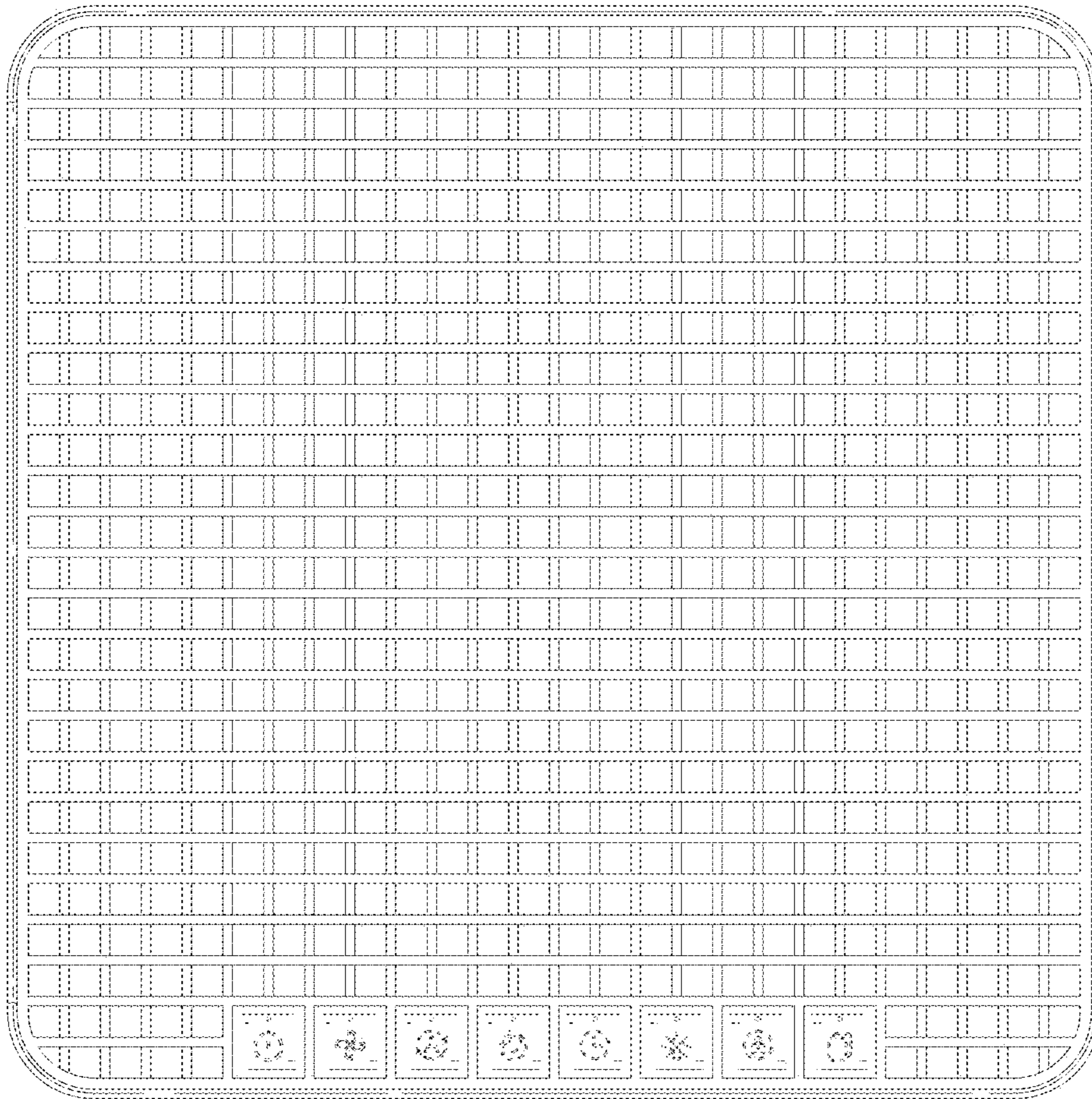


FIG. 37

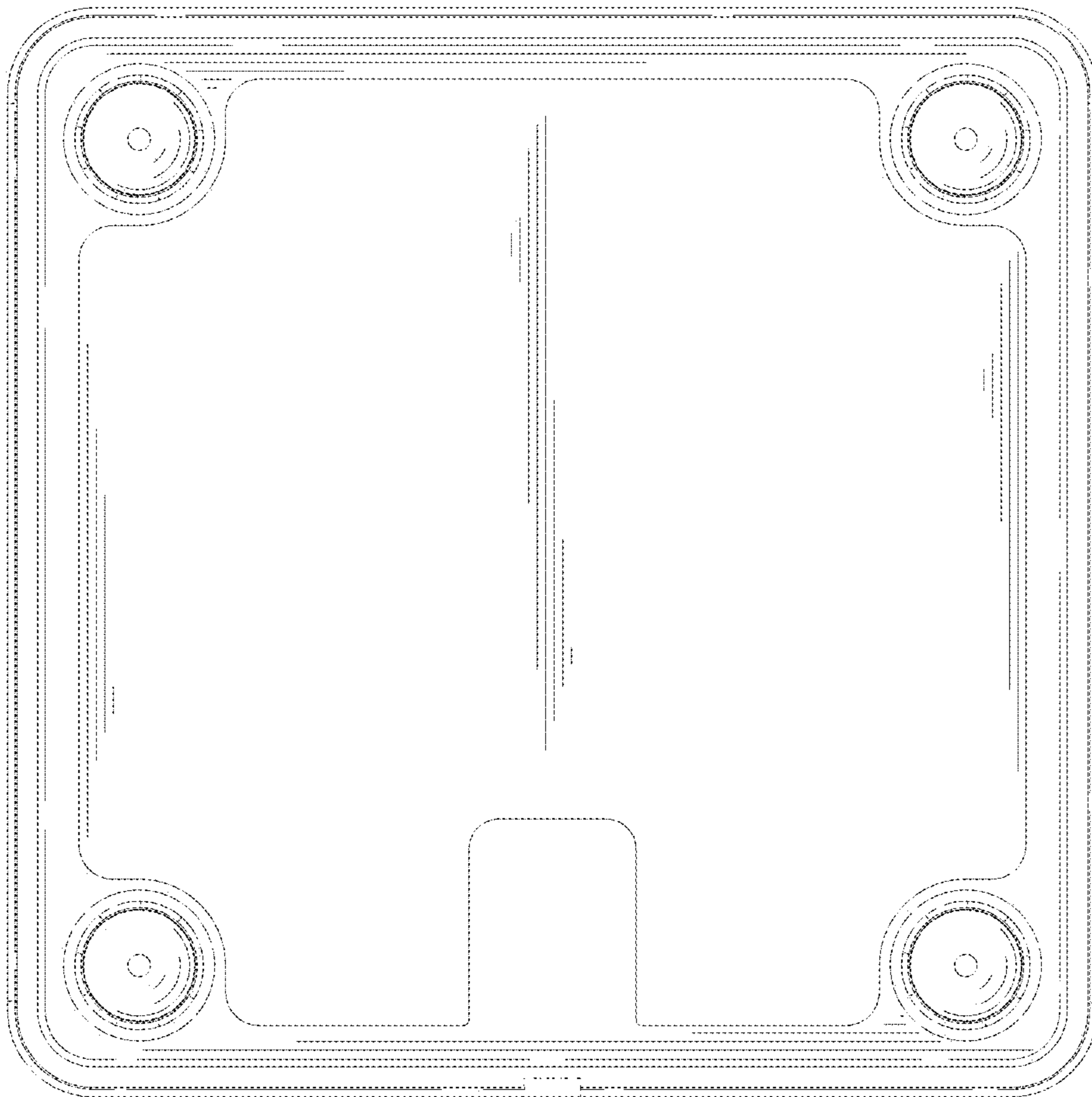


FIG. 38



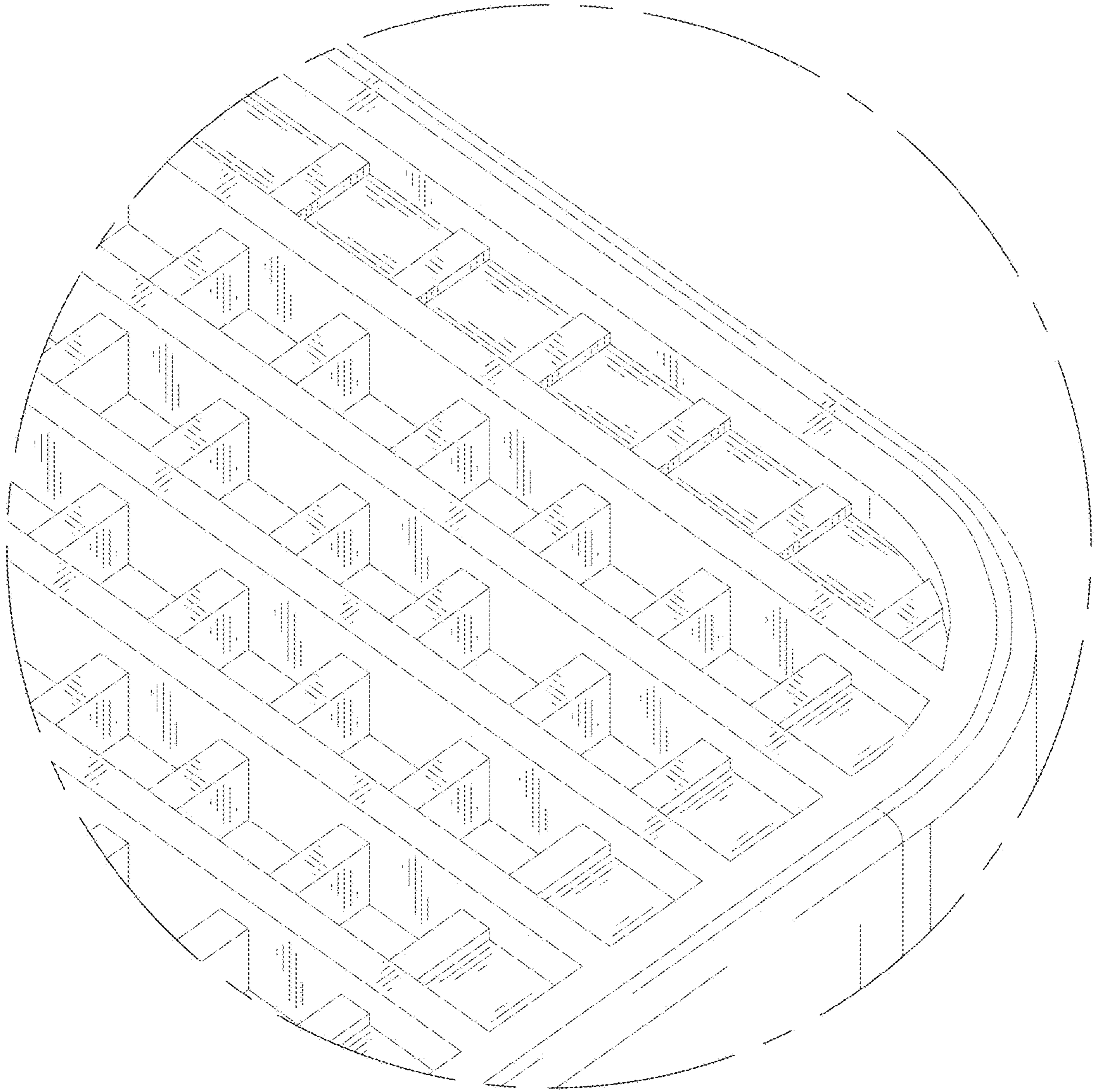


FIG. 39

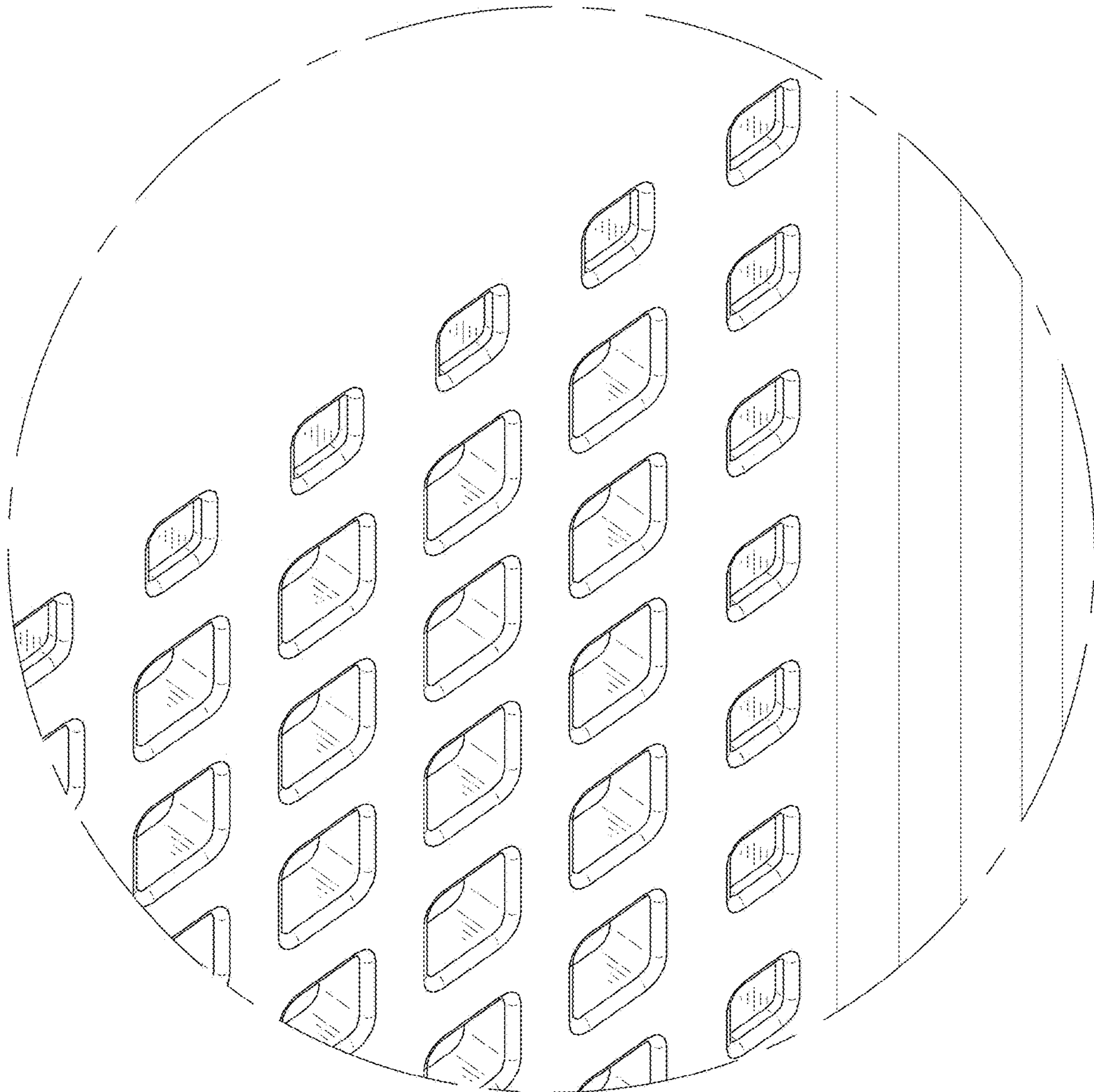


FIG. 40