



US00D953506S

(12) **United States Design Patent** (10) **Patent No.:** **US D953,506 S**  
**Shen** (45) **Date of Patent:** **\*\* May 31, 2022**

(54) **AIR PURIFIER**

D865,717 S \* 11/2019 Wang ..... D14/216  
D872,046 S \* 1/2020 Cibert ..... D14/204  
D875,232 S \* 2/2020 Ediger ..... D23/370

(71) Applicant: **SHENZHEN RIDETECH ELECTRONICS CO., LTD.**, Shenzhen (CN)

**FOREIGN PATENT DOCUMENTS**

(72) Inventor: **Yu Shen**, Shenzhen (CN)

CN 303552627 \* 1/2016

(73) Assignee: **SHENZHEN RIDETECH ELECTRONICS CO., LTD.**, Shenzhen (CN)

**OTHER PUBLICATIONS**

(\*\*) Term: **15 Years**

Devialet Treepod, first available Jan. 27, 2021[online], [site visited Apr. 4, 2022]. Available from internet, URL:<<https://www.amazon.com/Devialet-Treepod-Matte-Black/dp/B08T7QXNY6?th=1>> (Year: 2021).\*

(21) Appl. No.: **29/763,958**

\* cited by examiner

(22) Filed: **Dec. 28, 2020**

*Primary Examiner* — Barbara Fox

(51) **LOC (13) Cl.** ..... **23-04**

*Assistant Examiner* — Jamaal Rasheed

(52) **U.S. Cl.**  
USPC ..... **D23/364**

(57) **CLAIM**

(58) **Field of Classification Search**  
USPC ..... D23/332, 336, 356, 359, 364–365, 378,  
D23/499; D14/204, 214, 240, 314, 496;  
D16/203

The ornamental design for an air purifier, as shown and described.

CPC ..... F24F 1/029; F24F 1/035; F24F 1/0287;  
F24F 6/06; F24F 6/14; F24F 13/06; F24F  
13/20; F24F 13/222; F24F 3/16; F24F  
3/1405; A61L 9/03

**DESCRIPTION**

See application file for complete search history.

FIG. 1 is a perspective view of an air purifier showing my new design;  
FIG. 2 is another perspective view thereof;  
FIG. 3 is a front elevational view thereof;  
FIG. 4 is a rear elevational view thereof;  
FIG. 5 is a left side elevational view thereof;  
FIG. 6 is a right side elevational view thereof;  
FIG. 7 is a top plan view thereof; and,  
FIG. 8 is a bottom plan view thereof.

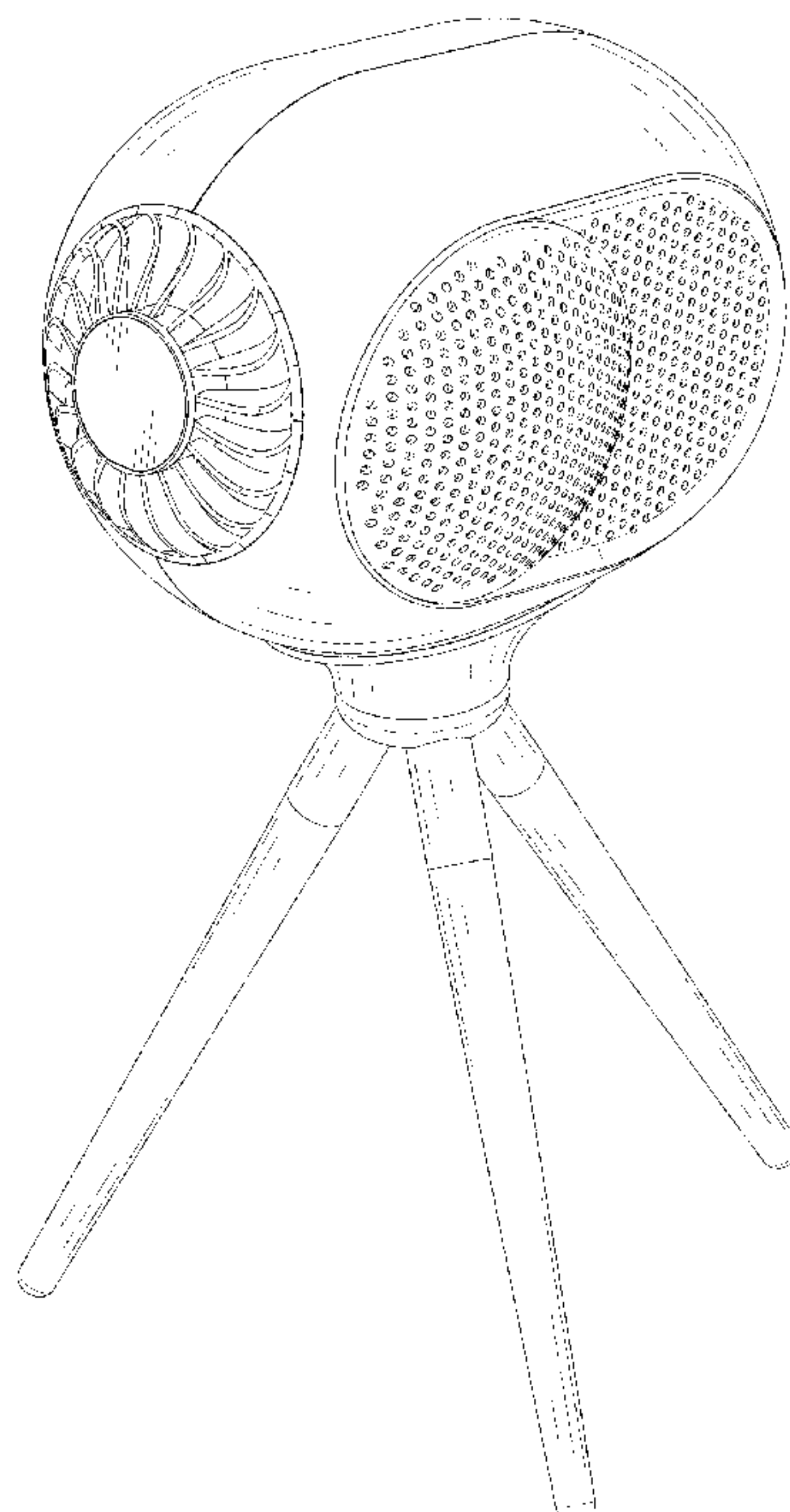
(56) **References Cited**

**U.S. PATENT DOCUMENTS**

D340,516 S \* 10/1993 Too ..... D6/708.16  
D752,021 S \* 3/2016 Nardin ..... D14/204  
D752,022 S \* 3/2016 Nardin ..... D14/209.1  
D827,618 S \* 9/2018 Nardin ..... D14/224

The broken lines in the drawings depict portions of the air purifier that form no part of the claimed design.

**1 Claim, 8 Drawing Sheets**



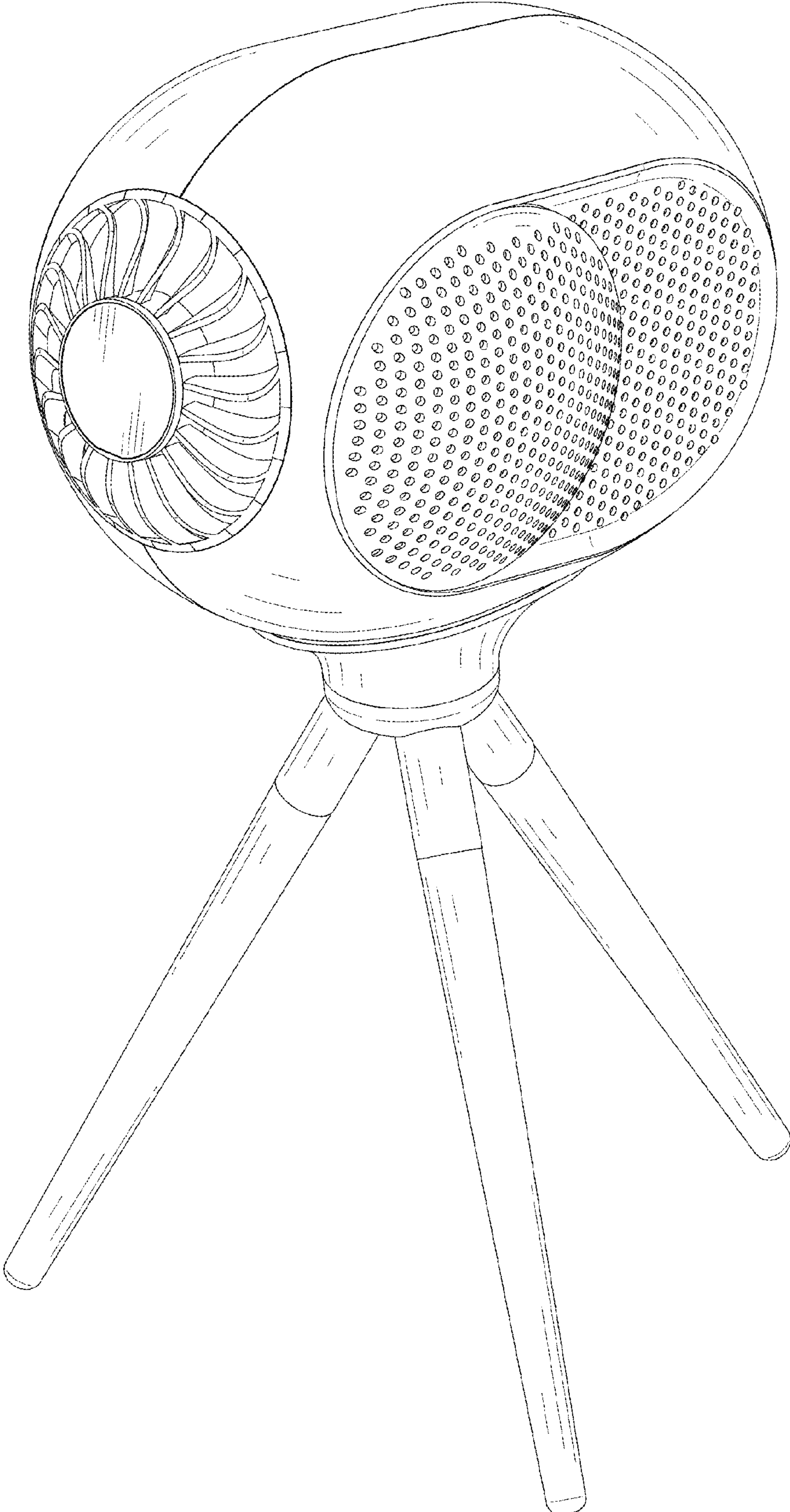


FIG. 1

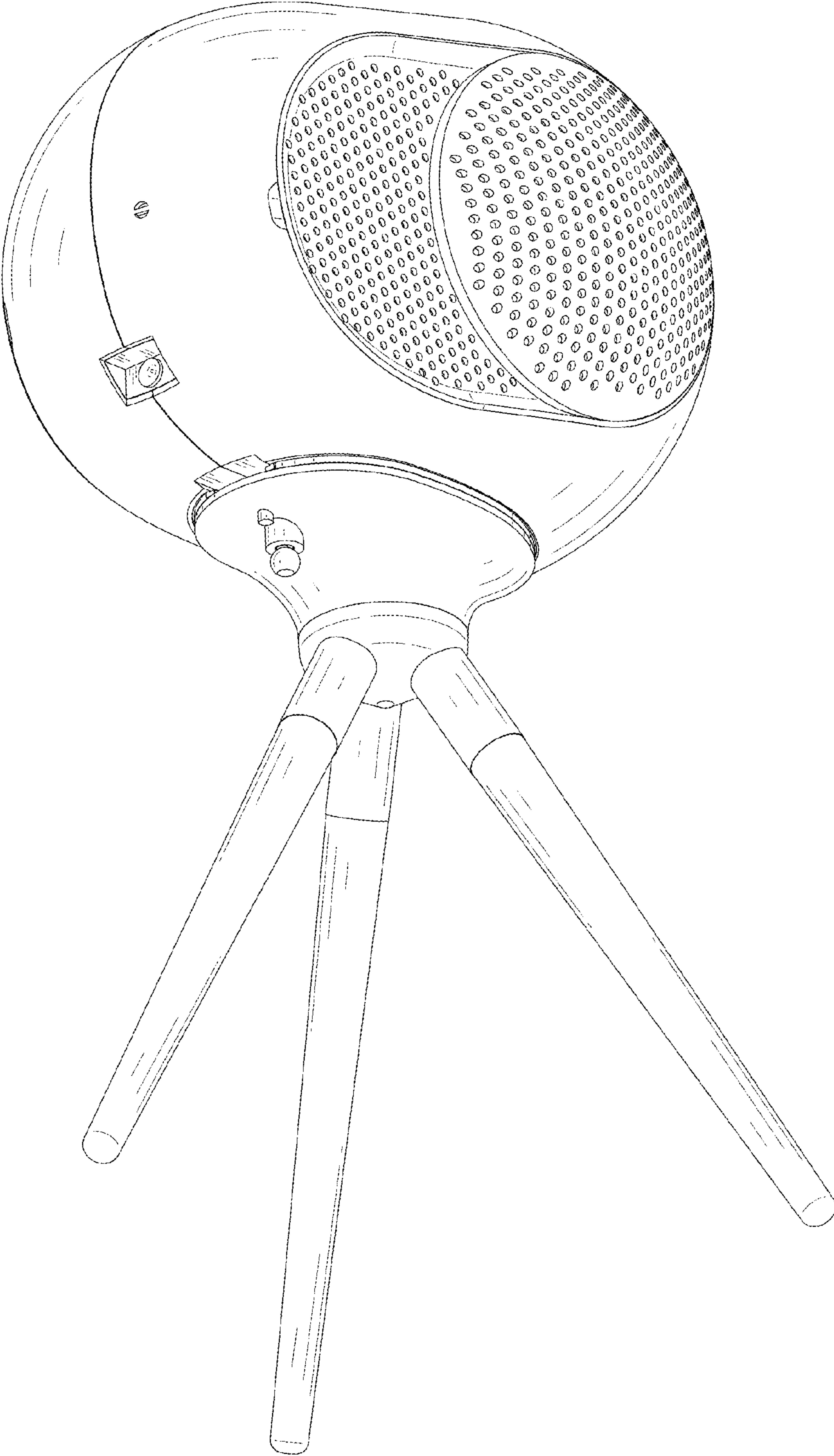


FIG. 2



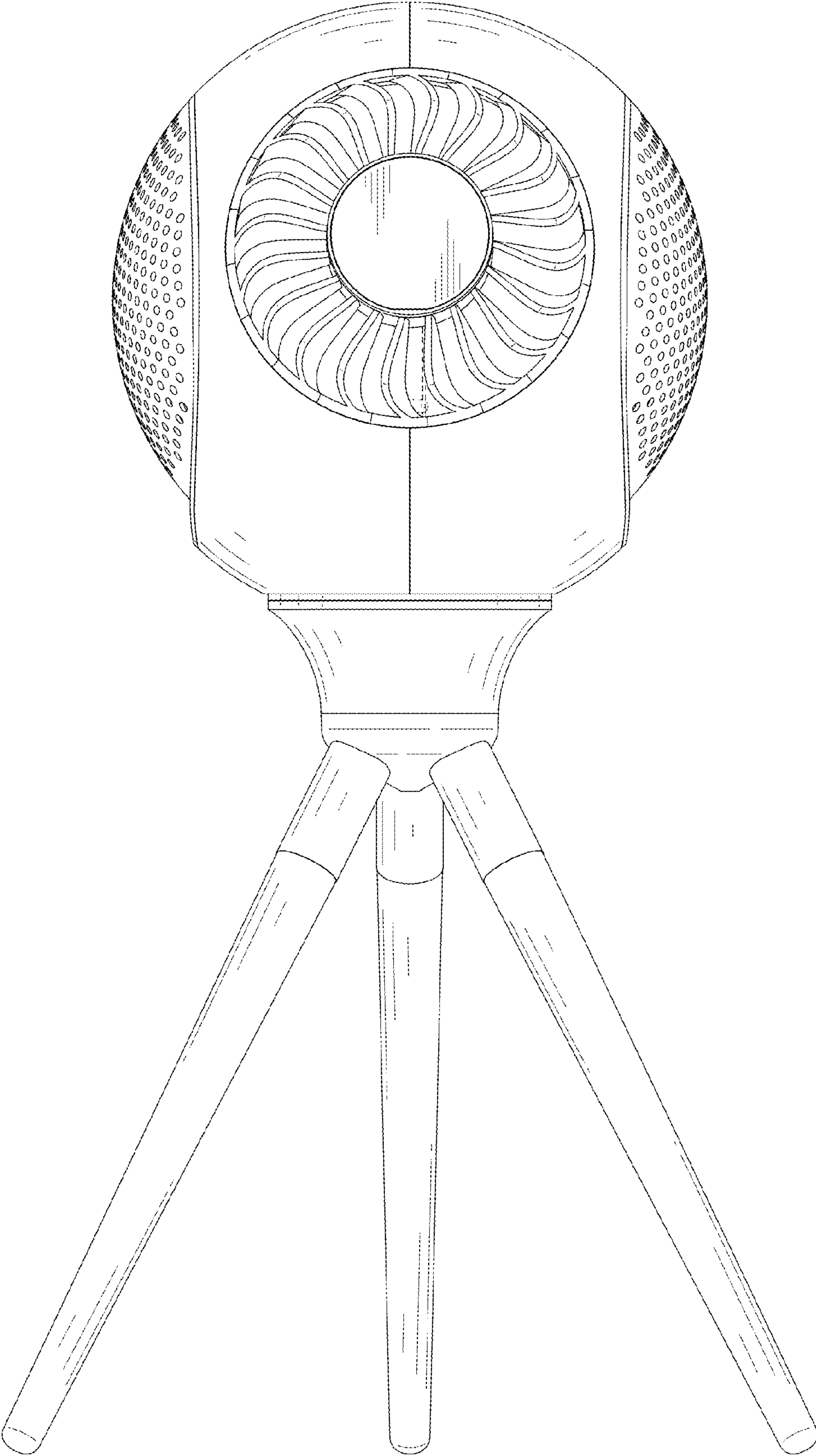


FIG. 3

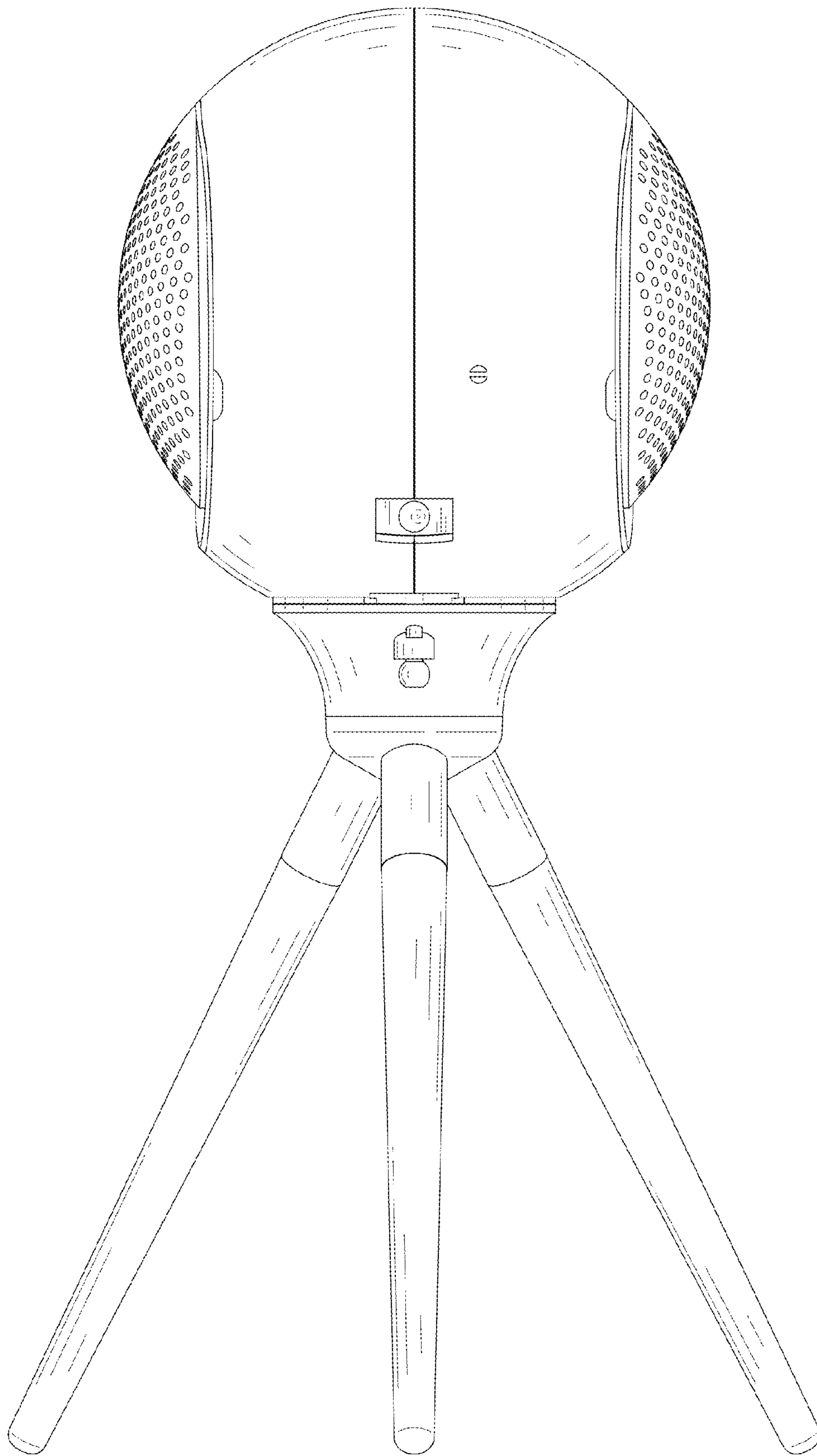


FIG. 4

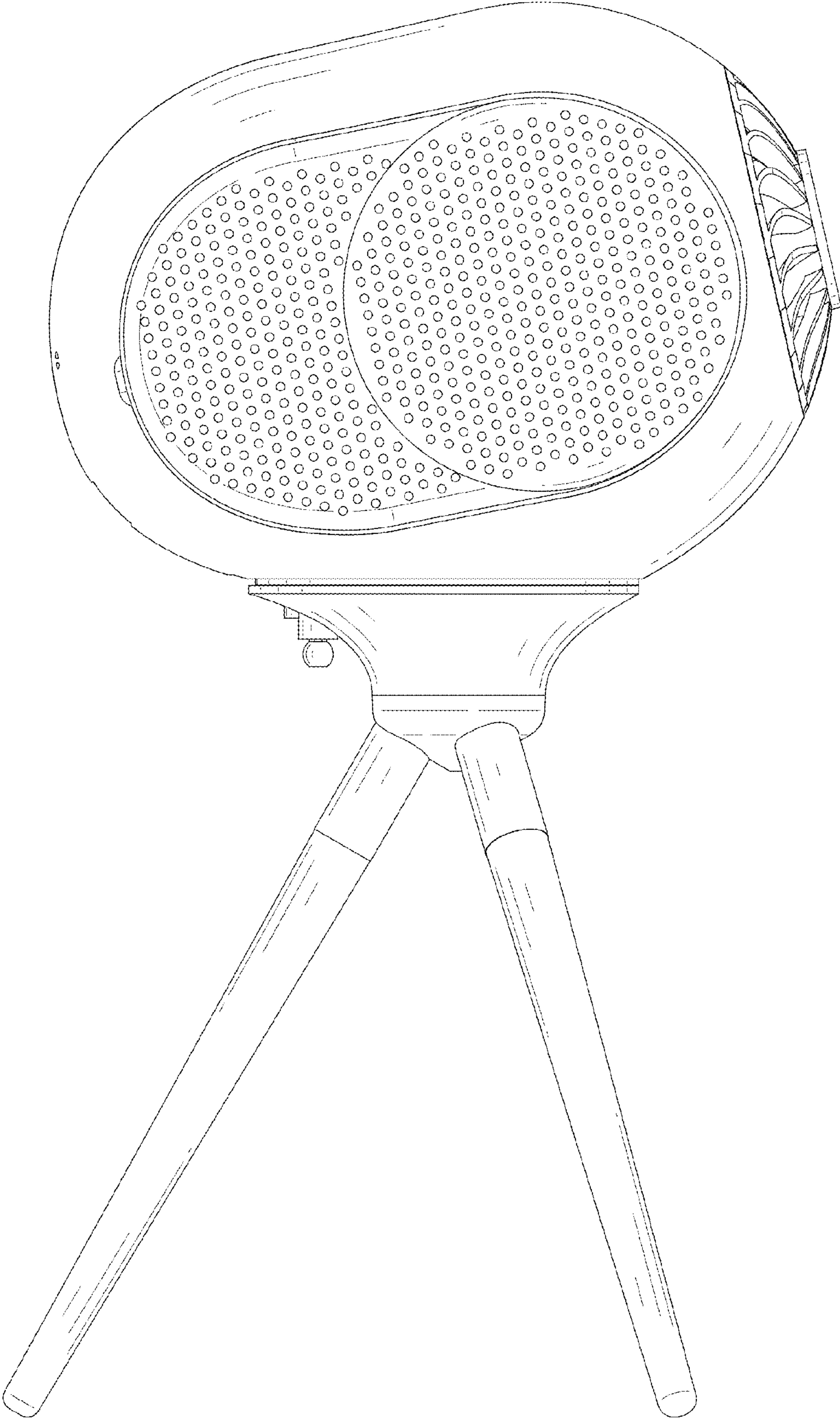


FIG. 5

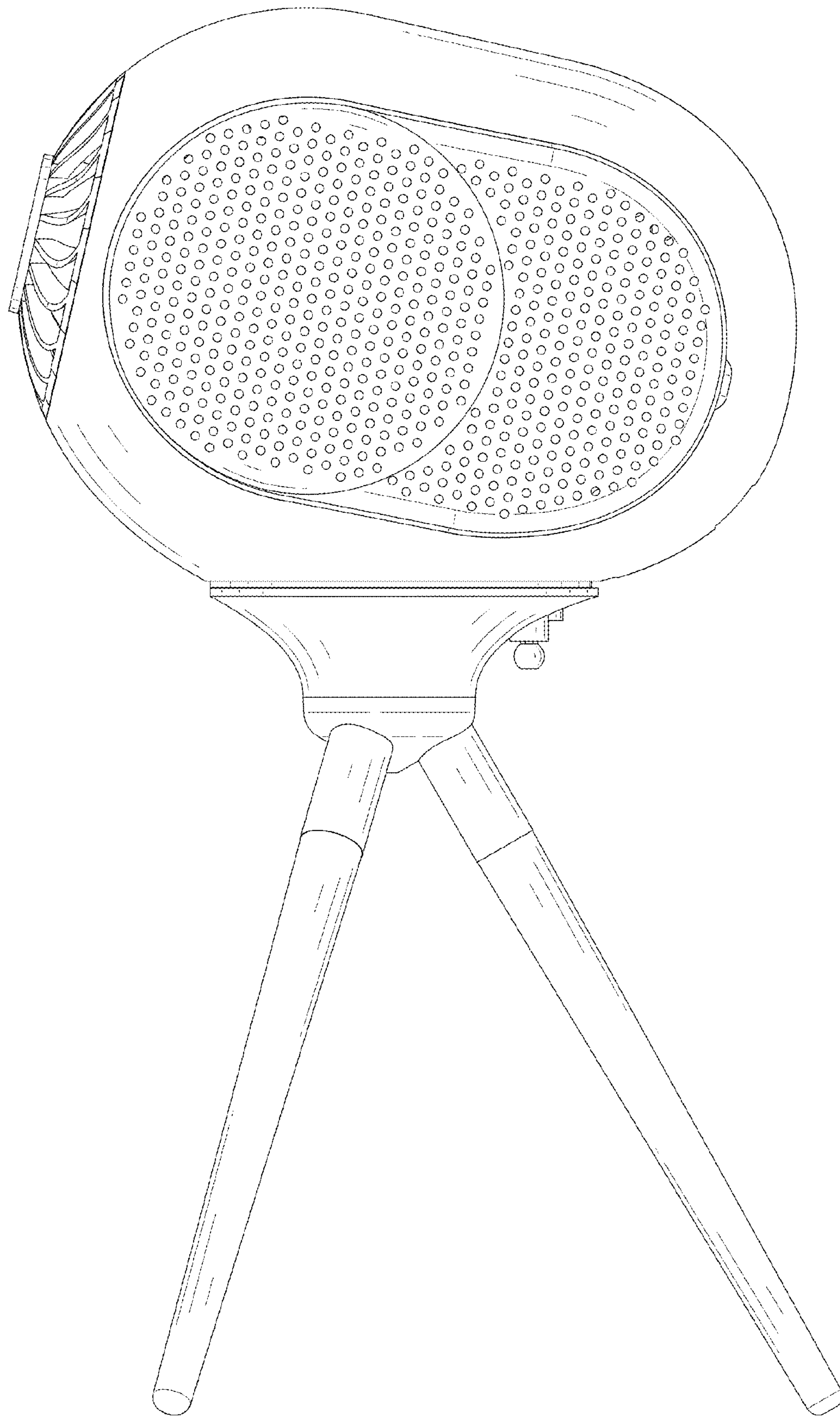


FIG. 6



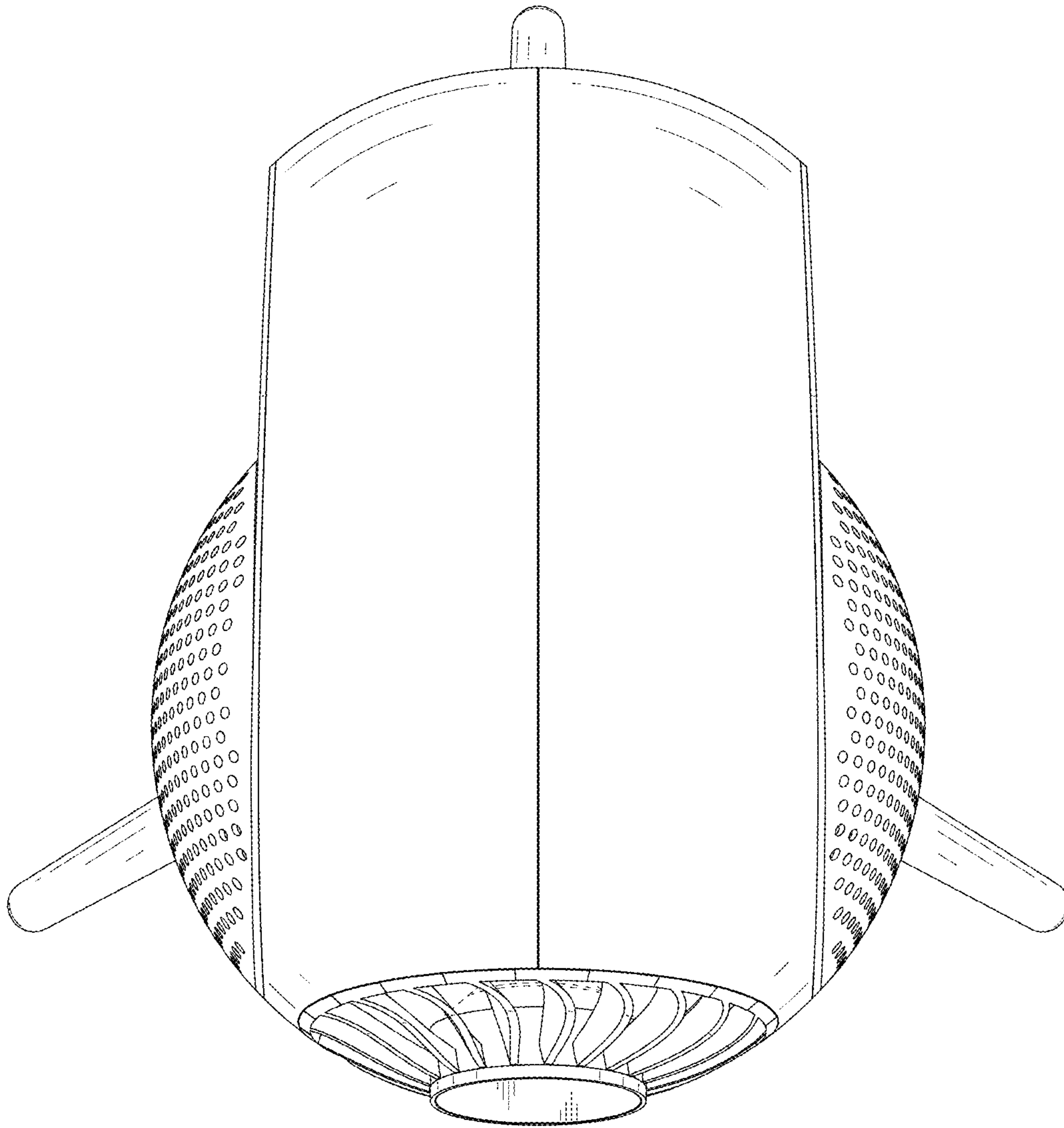


FIG. 7



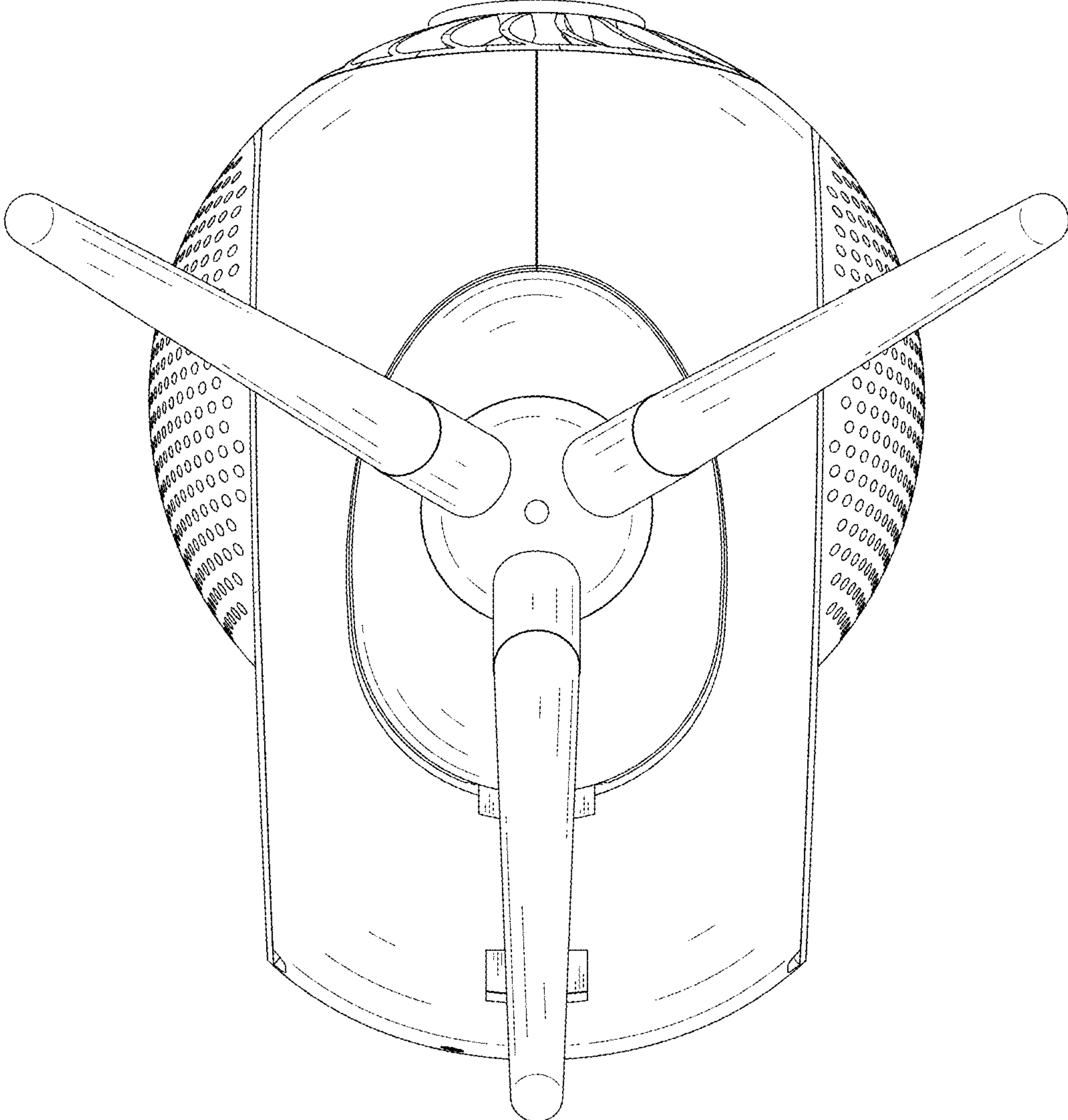


FIG. 8