

US00D953505S

(12) **United States Design Patent** (10) **Patent No.:** **US D953,505 S**
Pan (45) **Date of Patent:** **** May 31, 2022**

(54) **AIR PURIFIER**

FOREIGN PATENT DOCUMENTS

(71) Applicant: **X. J. Electronics (Shenzhen) Co., Ltd.**, Shenzhen (CN)

CN 306086925 * 10/2020
IN 317009-001-0001 * 10/2018
KR 301028859.0000 * 10/2019

(72) Inventor: **Yun Pan**, Shenzhen (CN)

(73) Assignee: **X. J. Electronics (Shenzhen) Co., Ltd.**, Shenzhen (CN)

(**) Term: **15 Years**

(21) Appl. No.: **29/758,601**

(22) Filed: **Nov. 17, 2020**

(30) **Foreign Application Priority Data**

May 18, 2020 (CN) 202030228988.3

(51) **LOC (13) Cl.** **23-04**

(52) **U.S. Cl.**
USPC **D23/364**

(58) **Field of Classification Search**
USPC D23/332, 336, 356, 359, 364-365, 378, D23/499; D14/204, 214, 240, 314, 496
CPC F24F 1/029; F24F 1/035; F24F 1/0287; F24F 6/06; F24F 6/14; F24F 13/06; F24F 13/20; F24F 13/222; F24F 3/16; F24F 3/1405; A61L 9/03
See application file for complete search history.

(56) **References Cited**

U.S. PATENT DOCUMENTS

D418,591 S *	1/2000	Birdsell	D23/335
D548,315 S *	8/2007	Lin	D23/364
D591,412 S *	4/2009	Rittri	D23/364
D617,436 S *	6/2010	Chen	D23/364
D621,019 S *	8/2010	Kim	D23/356
D804,001 S *	11/2017	Cartwright	D23/355
D896,936 S *	9/2020	Ou	D23/333
D933,180 S *	10/2021	Chen	D23/333
D943,720 S *	2/2022	Pease	D23/335
D944,371 S *	2/2022	Pease	D23/335
2021/0356151 A1 *	11/2021	Pan	F24F 13/10

OTHER PUBLICATIONS

Vornado VMH600 Whole Room Stainless Steel Heater, first available Aug. 30, 2016[online], [site visited Mar. 21, 2022]. Available from internet, URL:<<https://www.amazon.ca/dp/B01J664WSY?th=1>> (Year: 2016).*

* cited by examiner

Primary Examiner — Barbara Fox

Assistant Examiner — Jamaal Rasheed

(74) *Attorney, Agent, or Firm* — Westbridge IP LLC

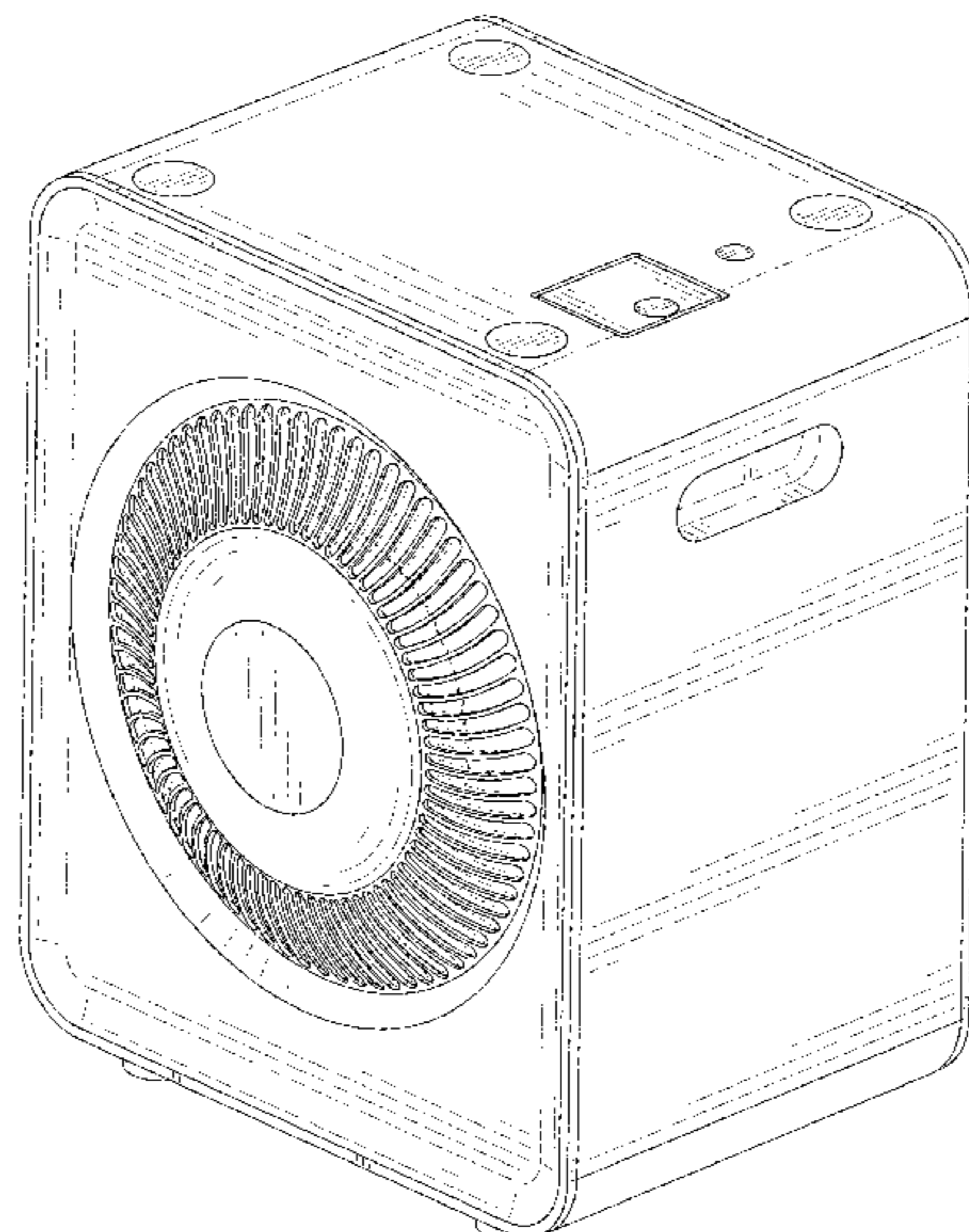
(57) **CLAIM**

The ornamental design for an air purifier, as shown and described.

DESCRIPTION

FIG. 1 is a top, front and right side perspective view of an air purifier showing my new design;
FIG. 2 is a bottom, rear and left side perspective view thereof;
FIG. 3 is a front elevational view thereof;
FIG. 4 is a rear elevational view thereof;
FIG. 5 is a left side elevational view thereof;
FIG. 6 is a right side elevational view thereof;
FIG. 7 is a top plan view thereof;
FIG. 8 is a bottom plan view thereof;
FIG. 9 is an enlarged view of portion 9 in FIG. 2; and,
FIG. 10 is an enlarged view of portion 10 in FIG. 2.
The evenly-spaced broken lines in the drawings illustrate portions of an air purifier that form no part of the claimed design. The dash-dot lines showing the enlargements in FIGS. 2, 9, and 10 form no part of the claimed design.

1 Claim, 10 Drawing Sheets



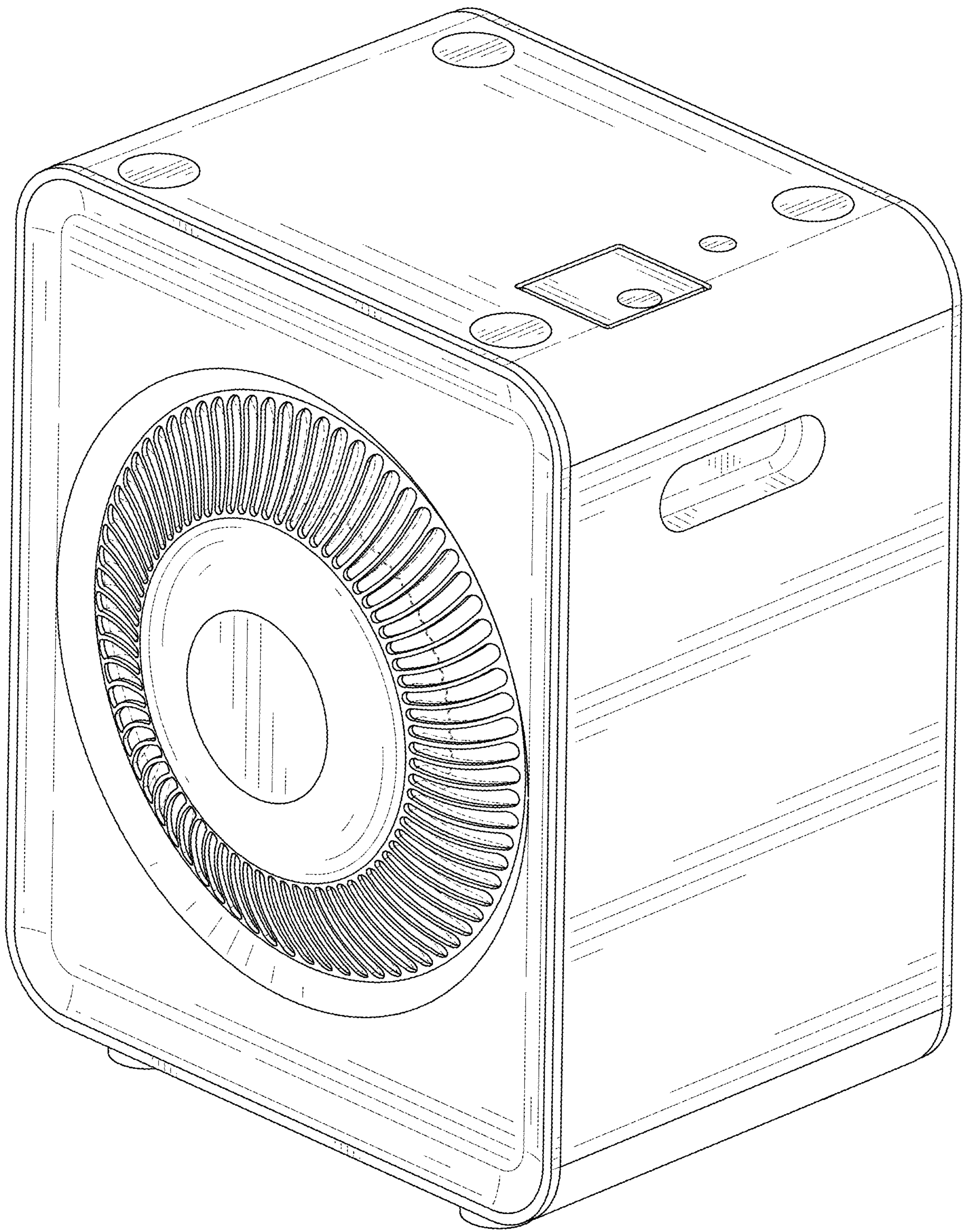


FIG. 1

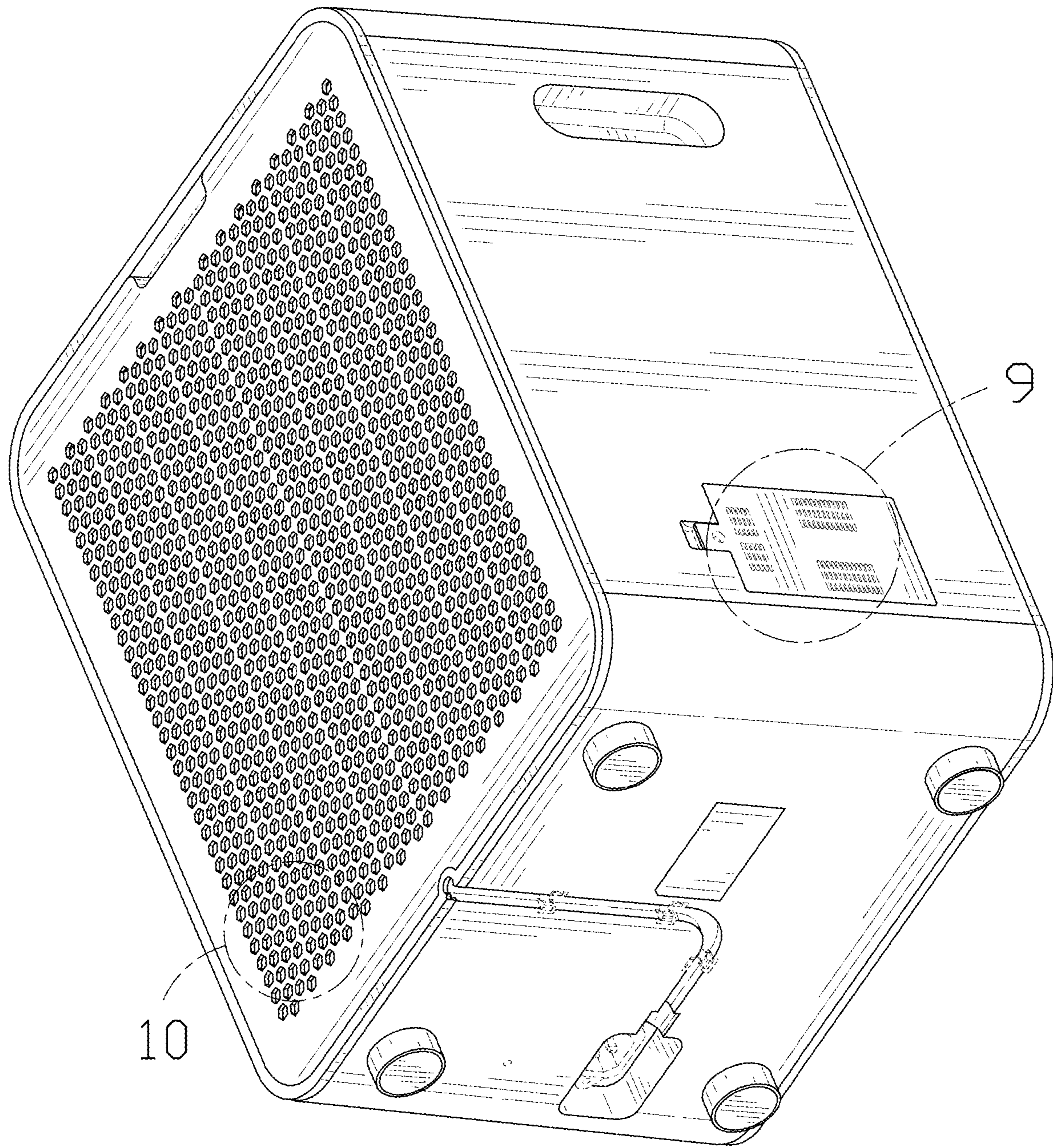


FIG. 2

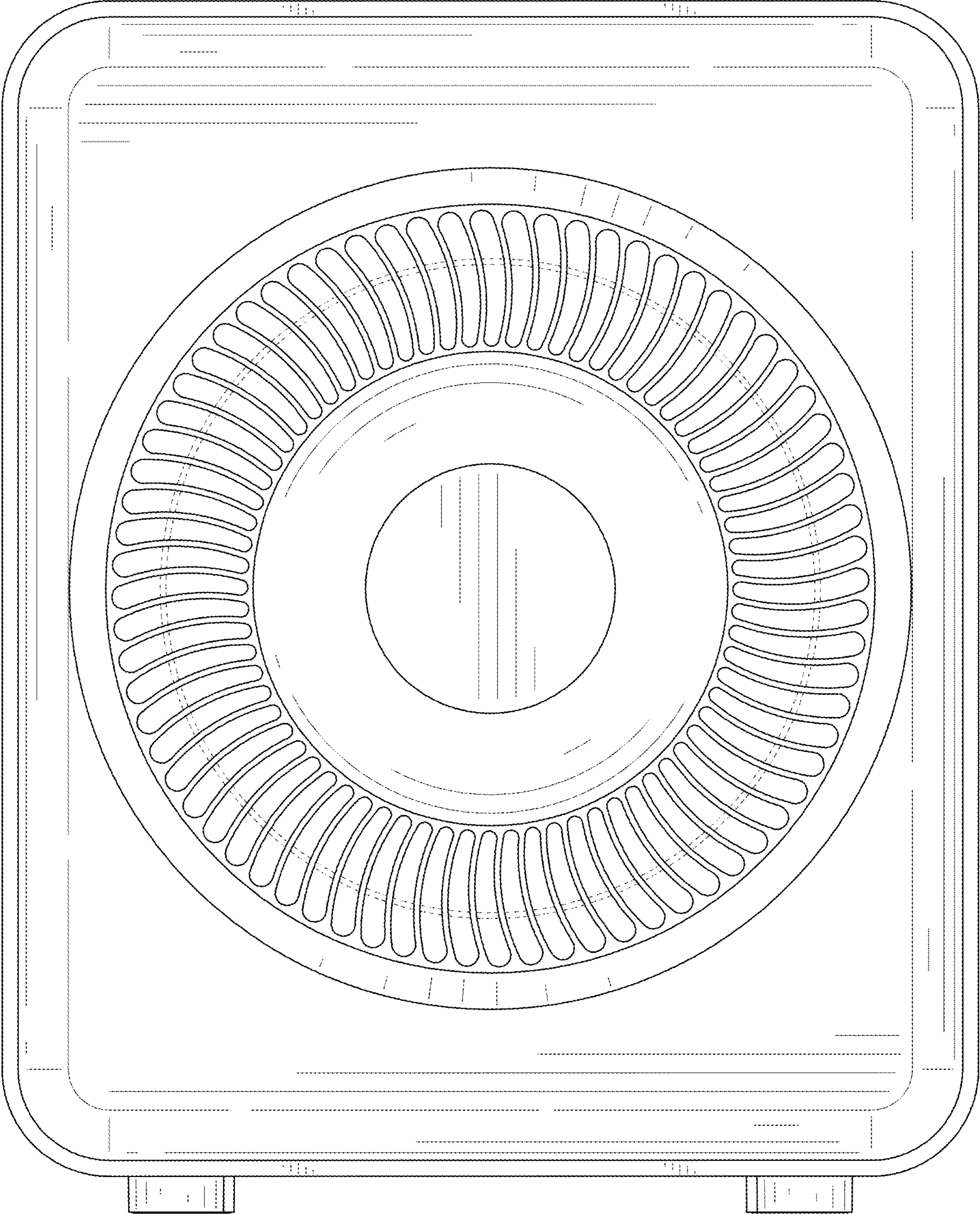


FIG. 3

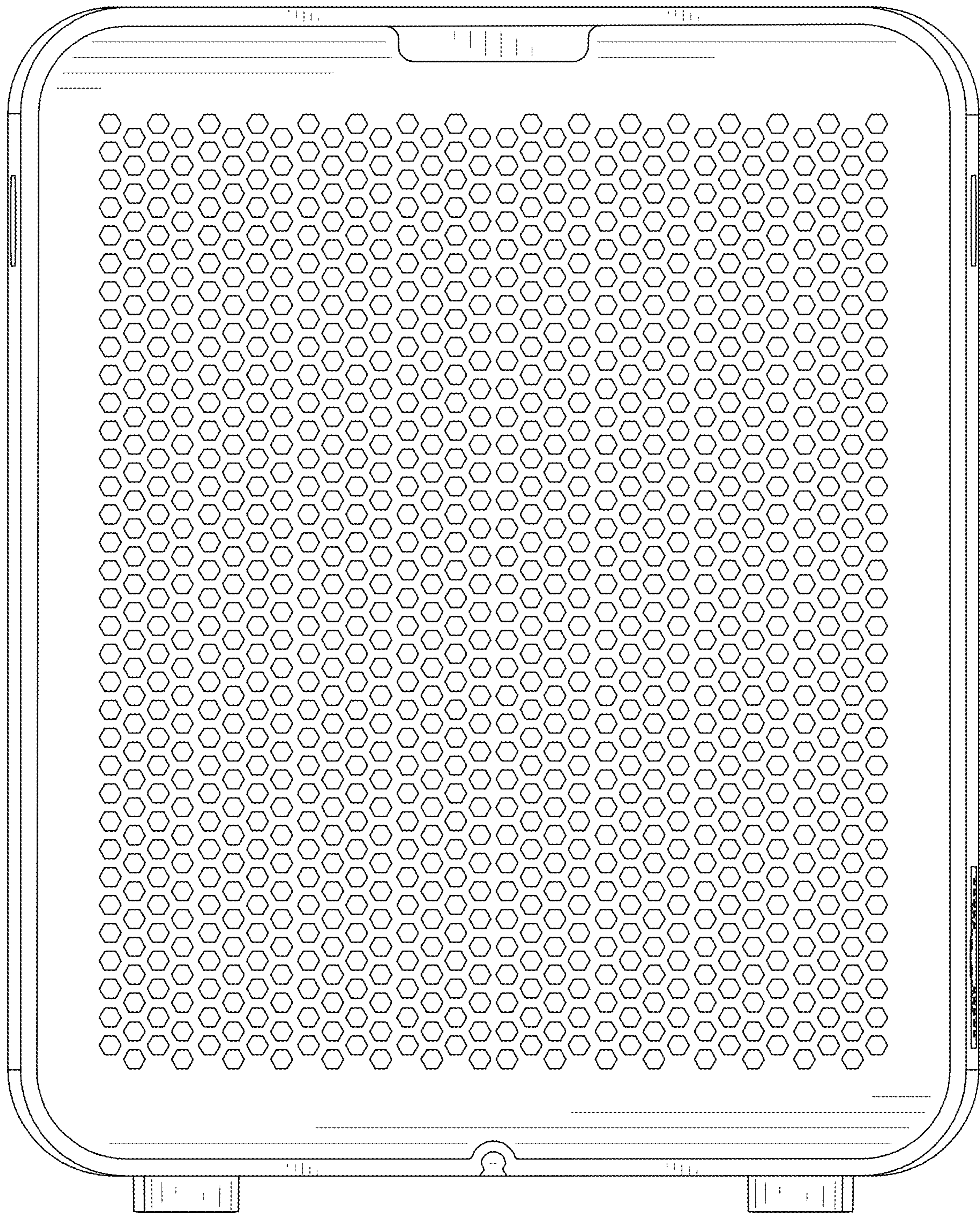


FIG. 4

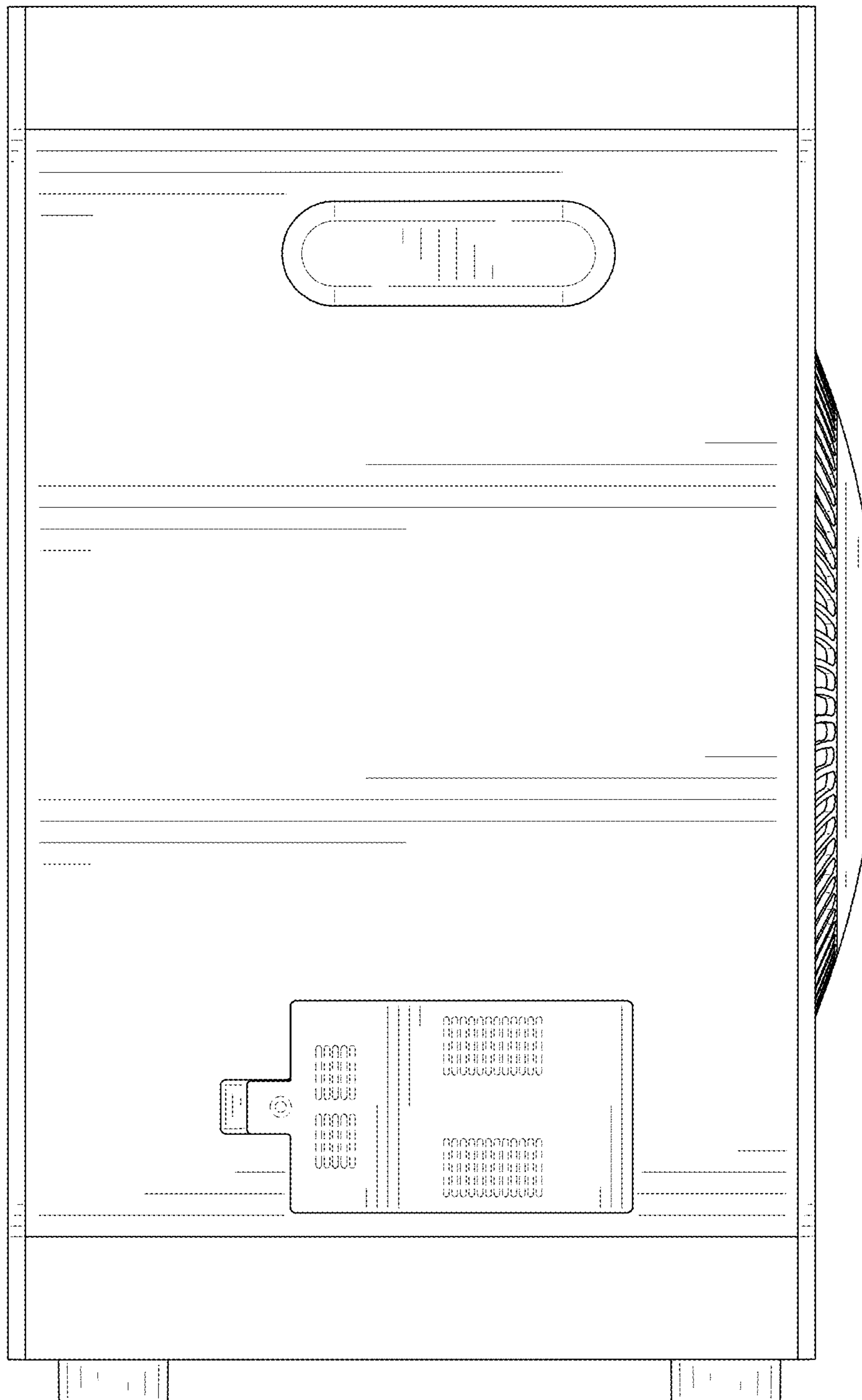


FIG. 5

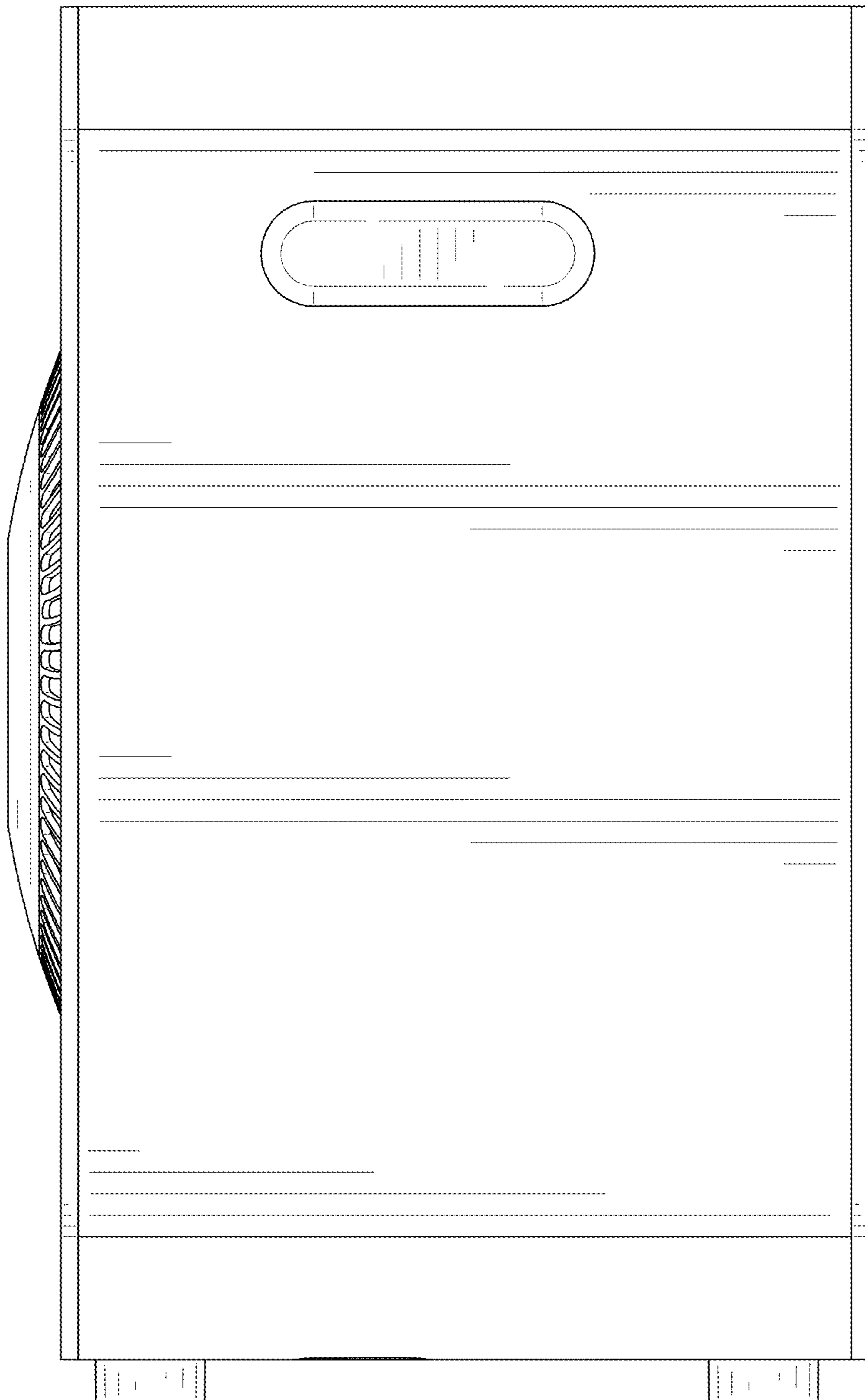


FIG. 6

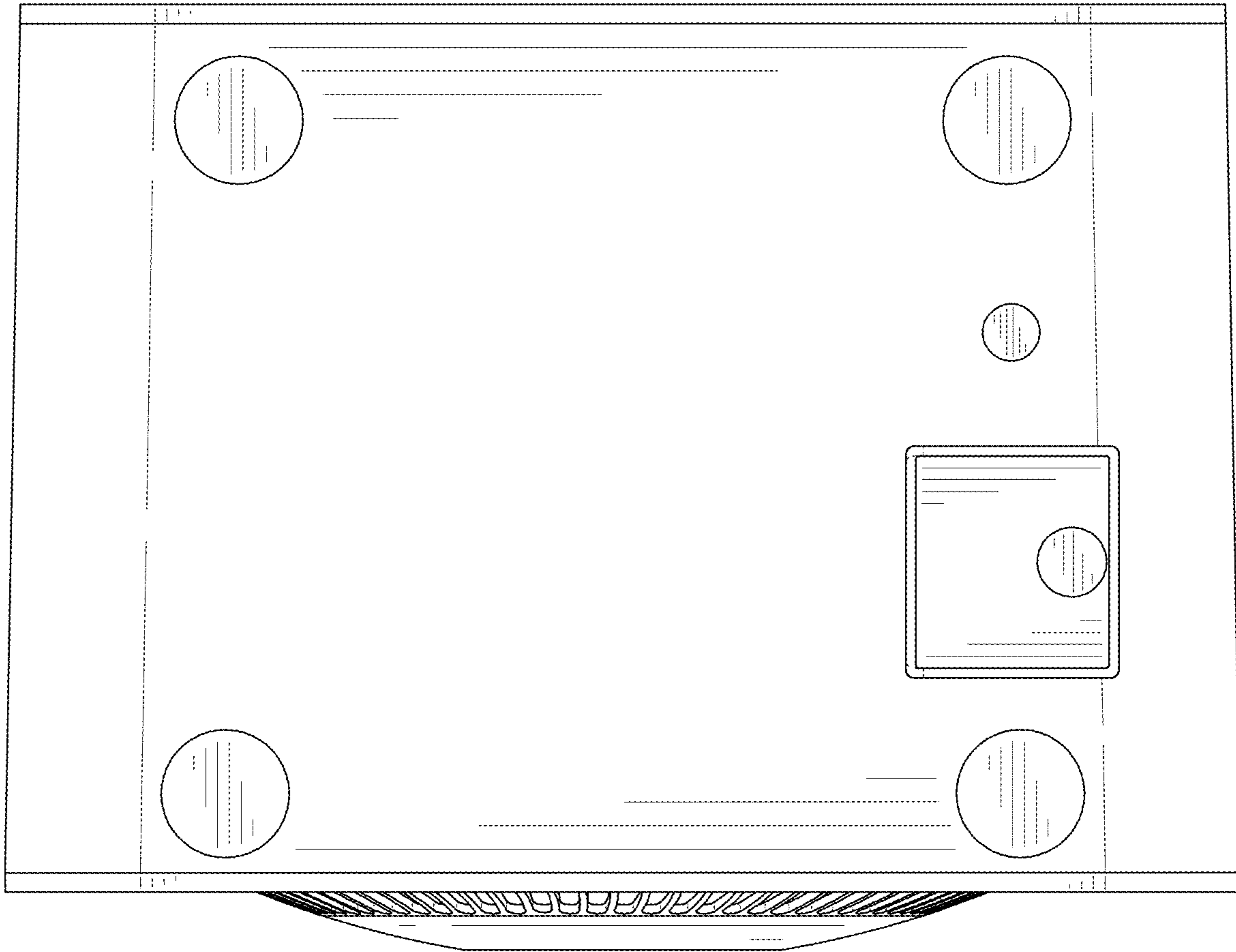


FIG. 7

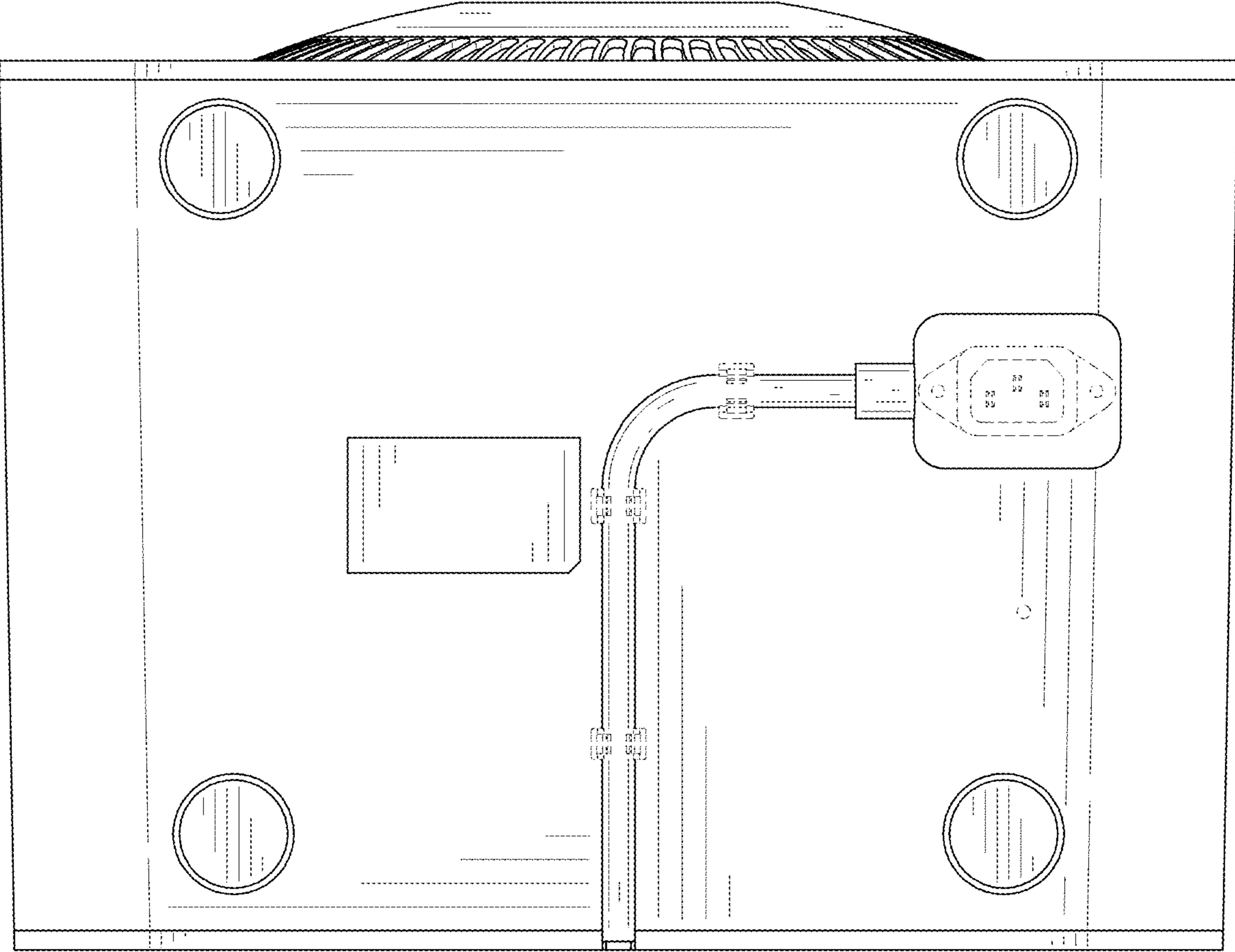


FIG. 8

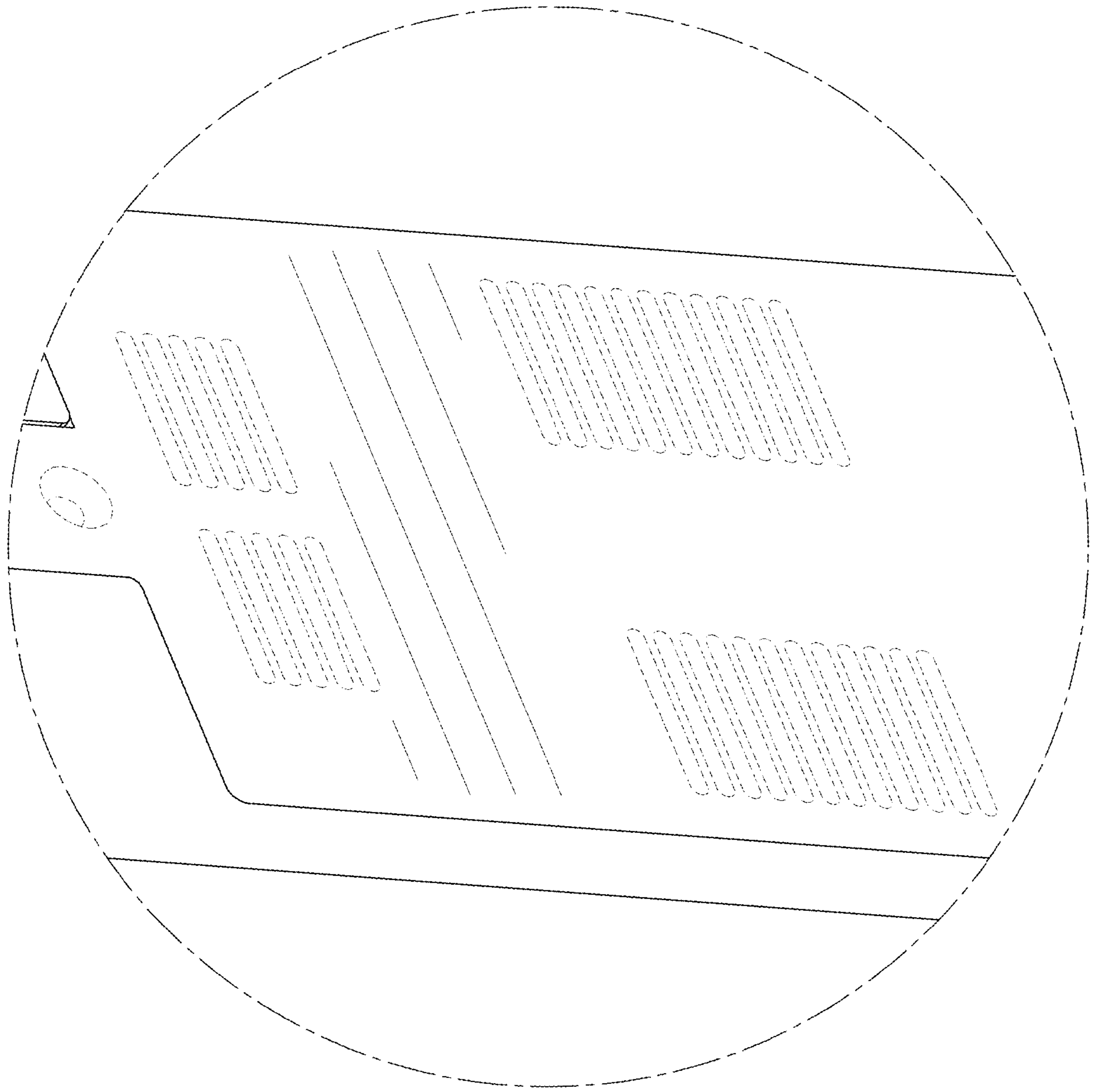


FIG. 9

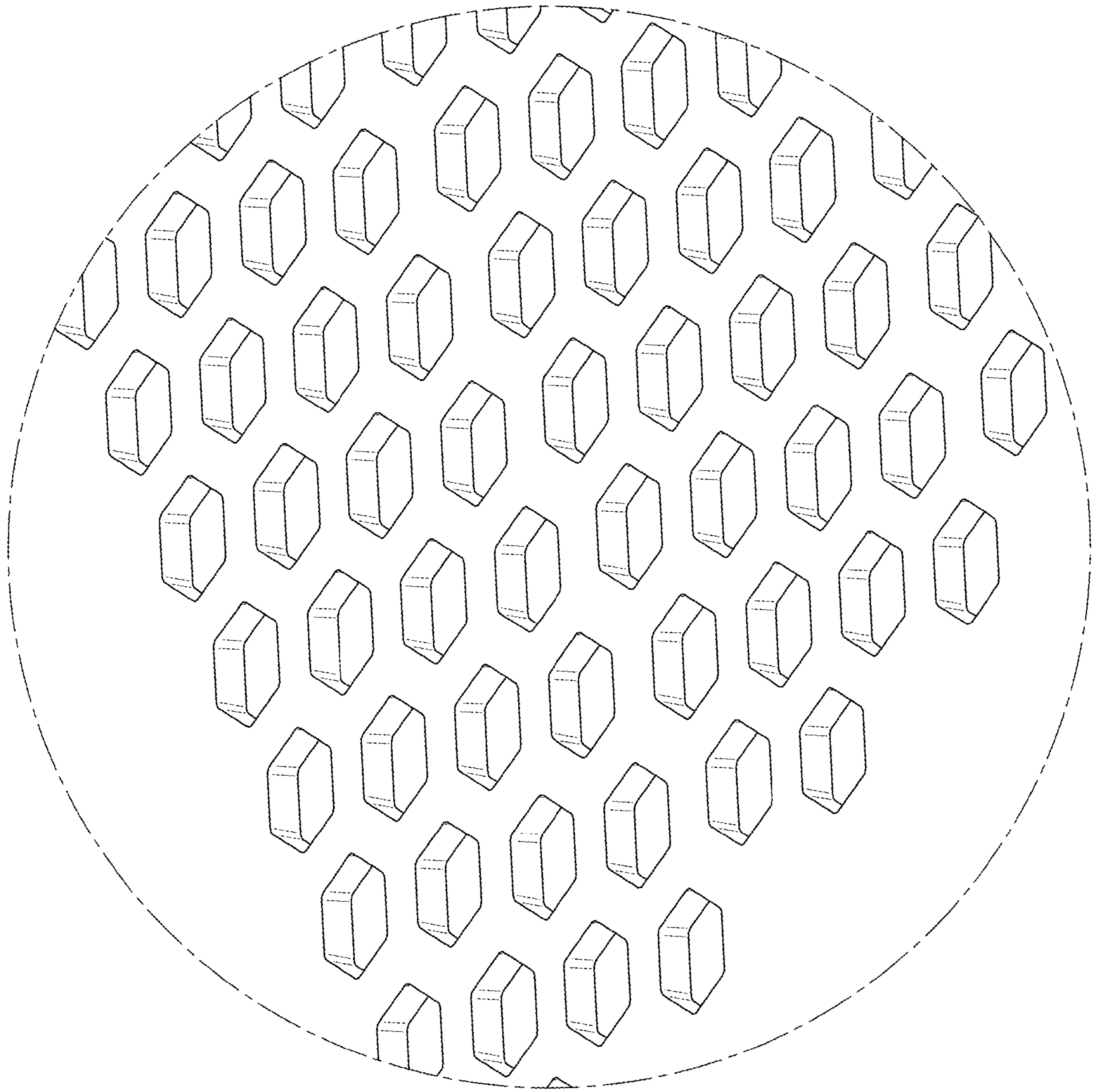


FIG. 10