



US00D953501S

(12) **United States Design Patent** (10) **Patent No.:** **US D953,501 S**
Seo et al. (45) **Date of Patent:** **** May 31, 2022**

(54) **HUMIDIFIER**
(71) Applicant: **MIRO CO., Ltd.**, Incheon (KR)
(72) Inventors: **Dong Jin Seo**, Seoul (KR); **Yong Ju Oh**, Incheon (KR); **Min Seok Kim**, Seoul (KR)
(73) Assignee: **MIRO CO., Ltd.**, Incheon (KR)
(**) Term: **15 Years**
(21) Appl. No.: **29/768,210**
(22) Filed: **Jan. 28, 2021**
(30) **Foreign Application Priority Data**
Aug. 19, 2020 (KR) 30-2020-0038777
(51) **LOC (13) Cl.** **23-04**
(52) **U.S. Cl.**
USPC **D23/356**
(58) **Field of Classification Search**
USPC D23/355-366, 352, 369, 332, 333, 335, D23/336, 342, 351; 422/120, 122; 55/356, 473, 504; 96/97; 261/DIG. 17, 261/DIG. 65, DIG. 88, DIG. 31
CPC .. A61L 9/16; A61L 9/22; B01D 47/00; B01D 47/027; B01D 2221/02; B01D 2259/4508; B03C 3/155; B03C 3/368; F24F 3/16; F24F 13/20; F24F 13/28
See application file for complete search history.

D916,262 S * 4/2021 Wang D23/356
D916,265 S * 4/2021 Jung D23/364
D919,064 S * 5/2021 Wang D23/356
D920,494 S * 5/2021 Shah D23/366
D930,139 S * 9/2021 Yang D23/366
D931,432 S * 9/2021 Baillie D23/356
D935,008 S * 11/2021 Oura D23/366
D936,196 S * 11/2021 Xu D23/356
D939,070 S * 12/2021 Yang D23/356
D939,679 S * 12/2021 Yoon D23/356

* cited by examiner

Primary Examiner — David G Muller
(74) *Attorney, Agent, or Firm* — Sughrue Mion, PLLC

(57) **CLAIM**

The ornamental design for a humidifier, as shown and described.

DESCRIPTION

FIG. 1 is a perspective view of a humidifier showing my new design;
FIG. 2 is a front view thereof;
FIG. 3 is a rear view thereof;
FIG. 4 is a left side view thereof;
FIG. 5 is a right side view thereof;
FIG. 6 is a top view thereof;
FIG. 7 is a bottom view thereof;
FIG. 8 is an enlarged view of A in FIG. 6;
FIG. 9 is a referential view for showing an example of use of the humidifier where an upper part is separated from a lower part; and,
FIG. 10 is a referential view for showing an example of use of the humidifier where a vapor outlet is separated from the upper part.
The features shown in broken lines form no part of the claimed design.

1 Claim, 9 Drawing Sheets

(56) **References Cited**
U.S. PATENT DOCUMENTS
D817,467 S * 5/2018 Shin D23/364
D855,167 S * 7/2019 Li D23/356
D874,630 S * 2/2020 Lee D23/366

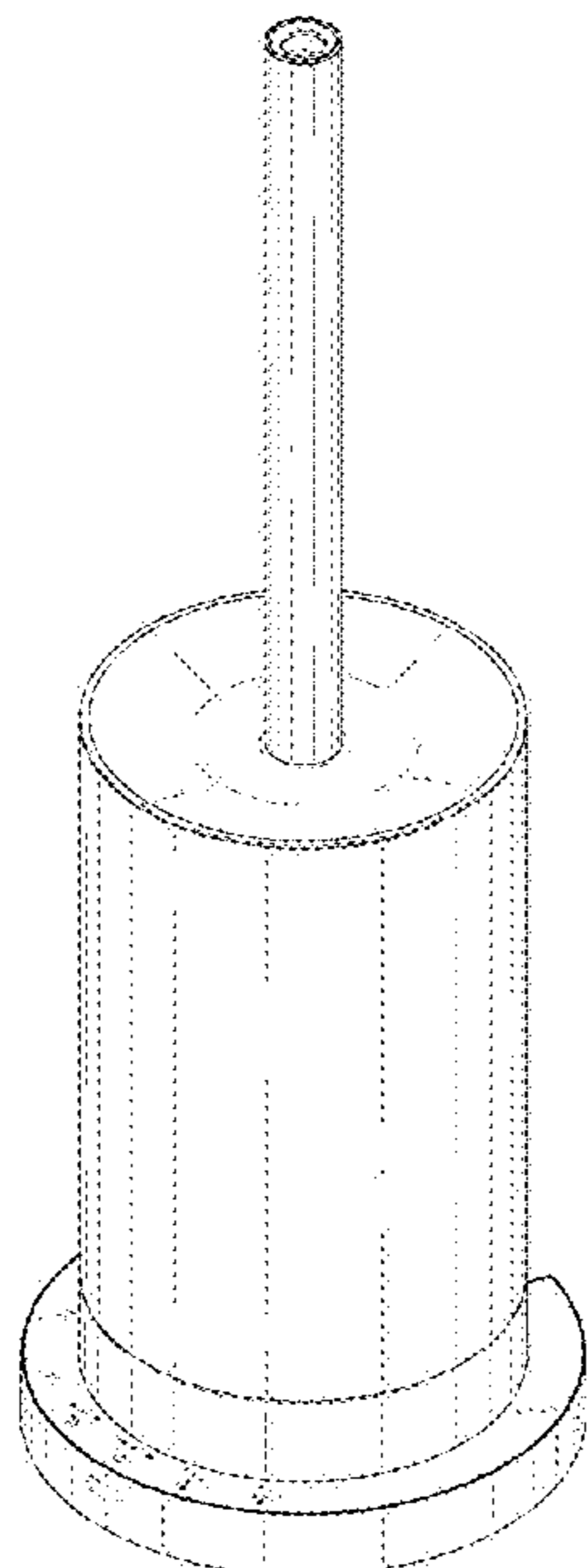


FIG. 1

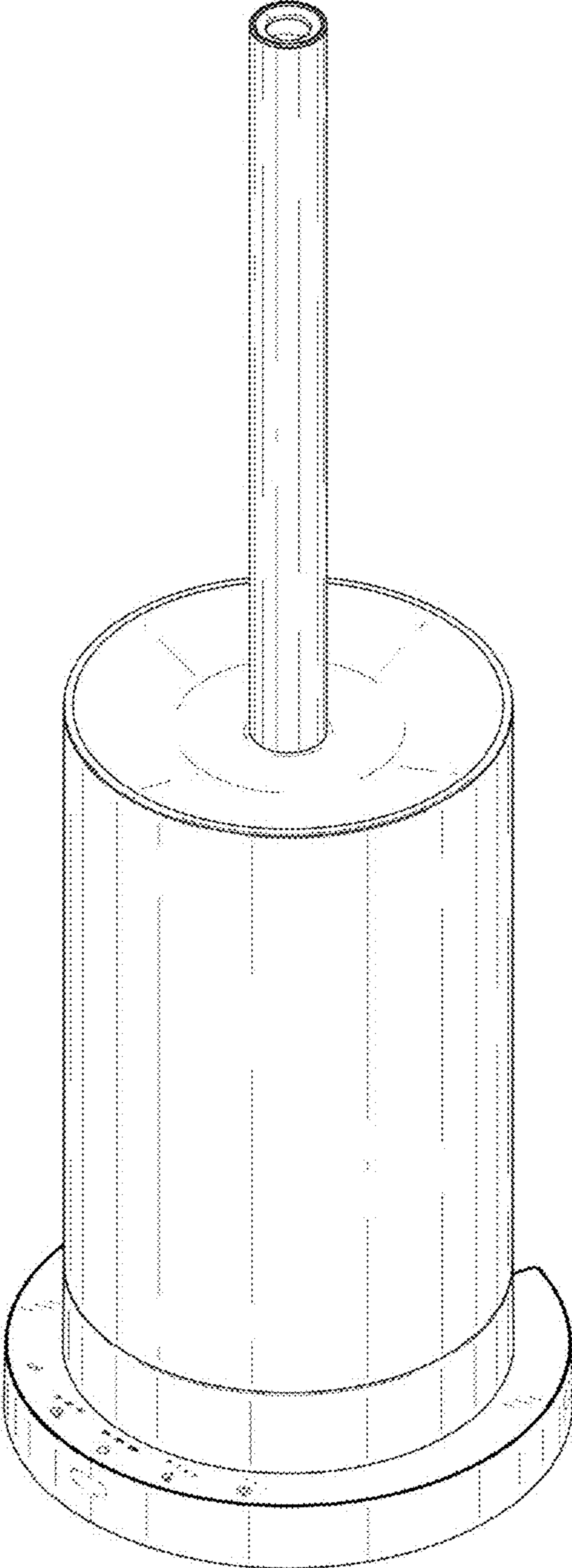


FIG. 2

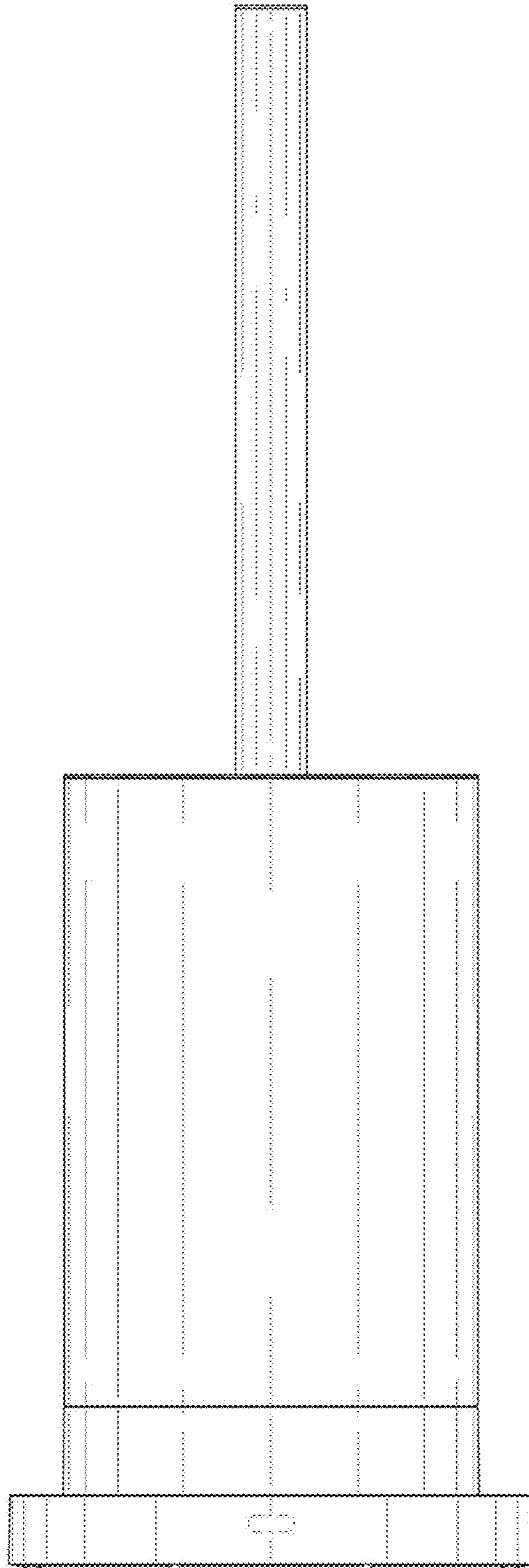


FIG. 3

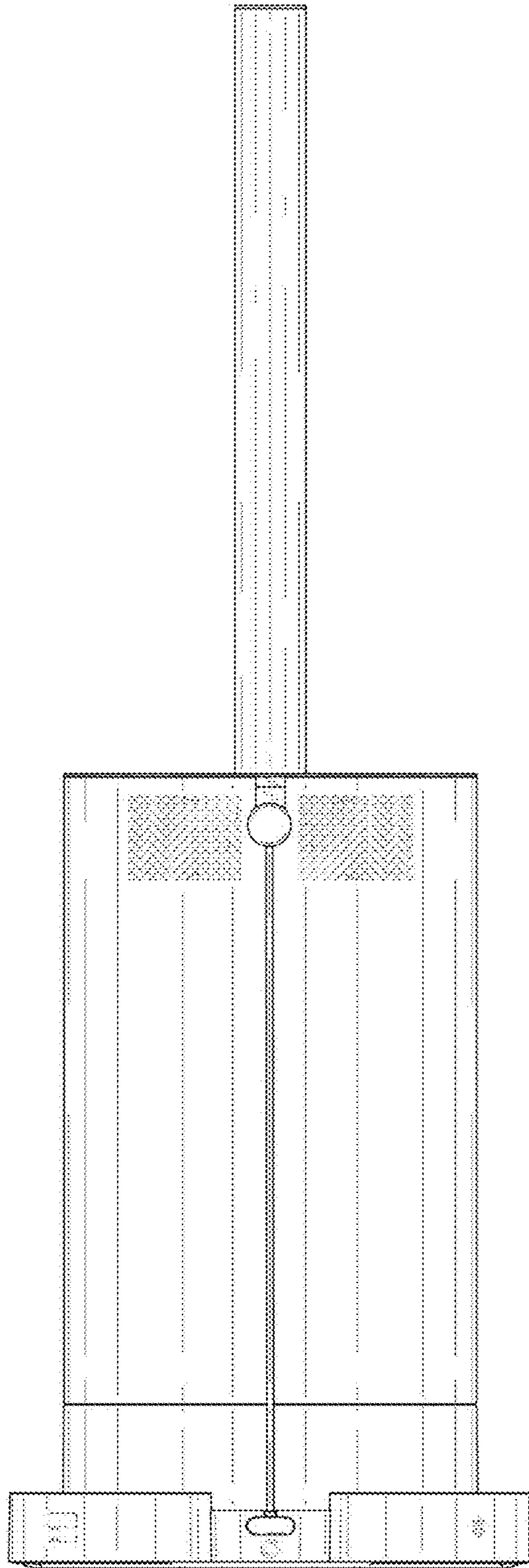


FIG. 4

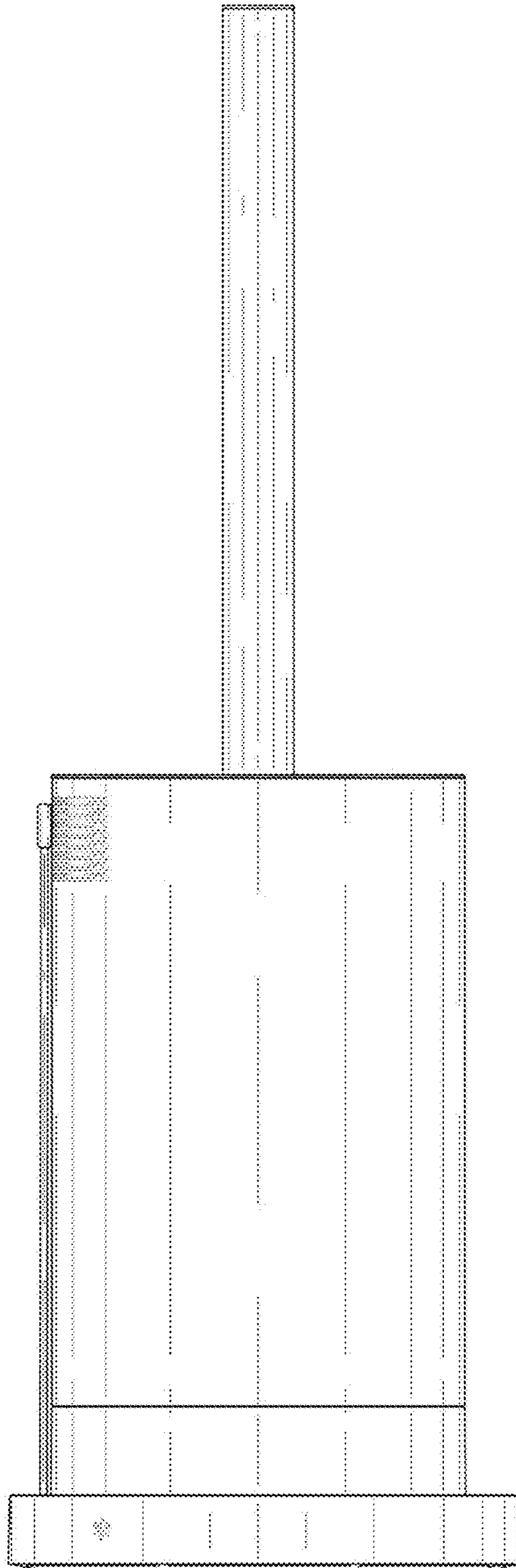


FIG. 5

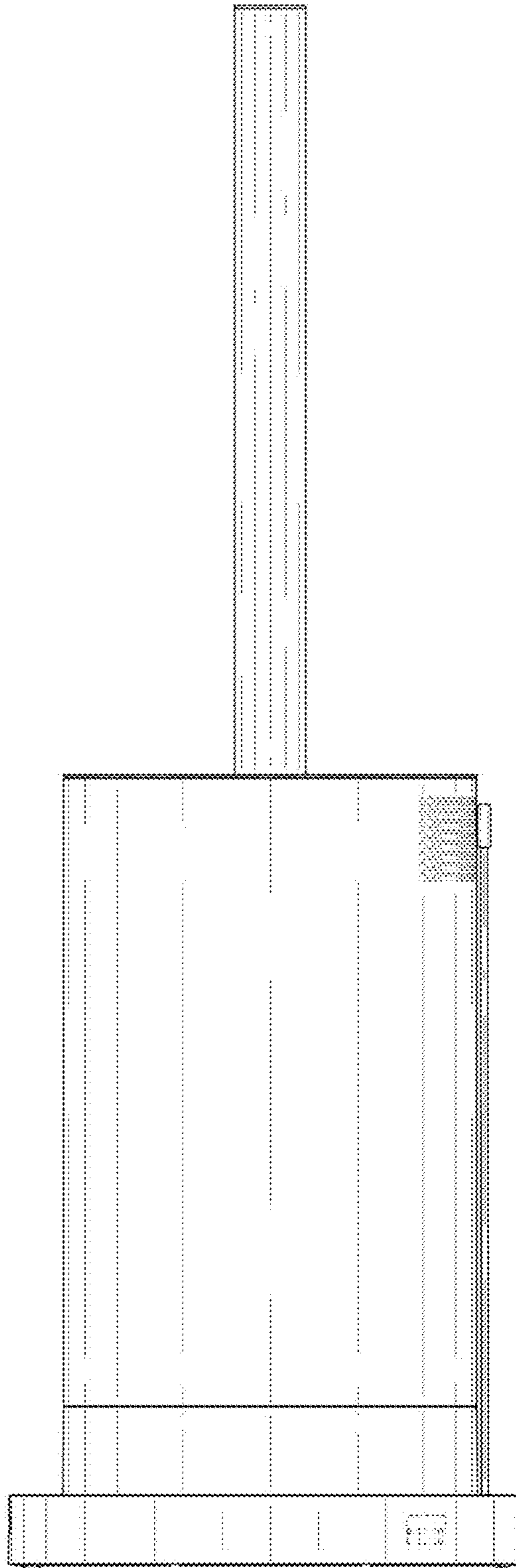


FIG. 6

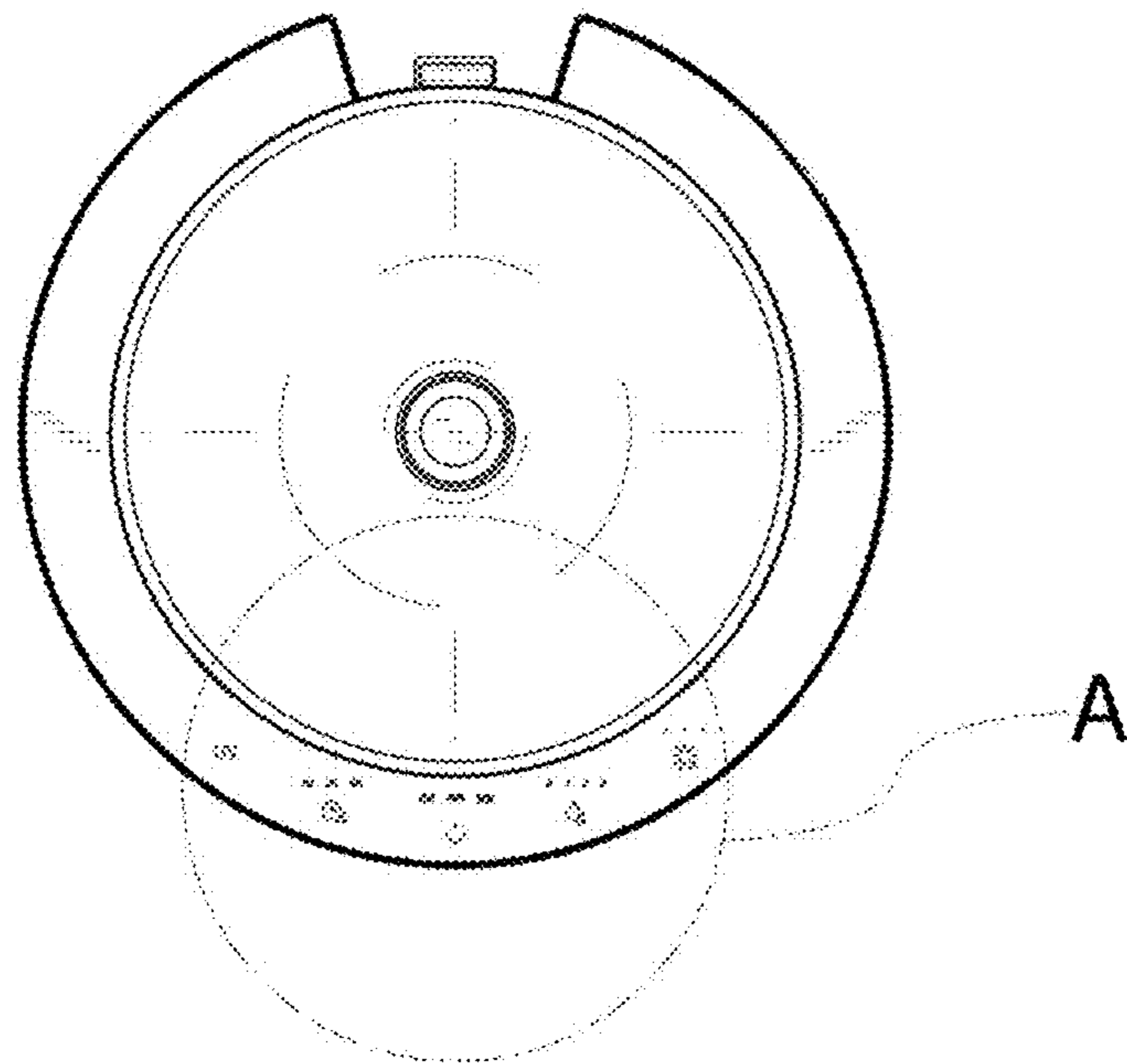


FIG. 7

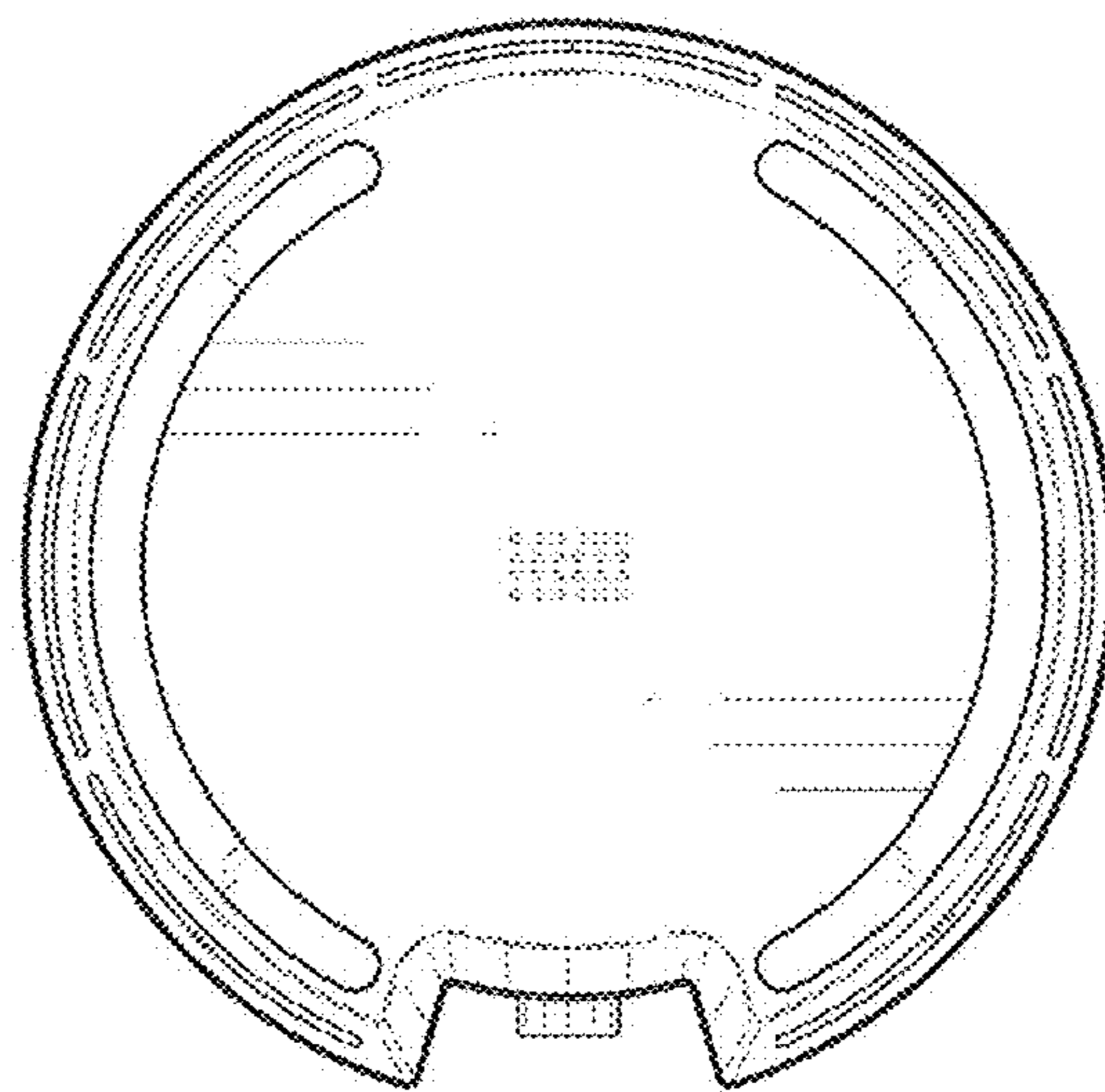


FIG. 8

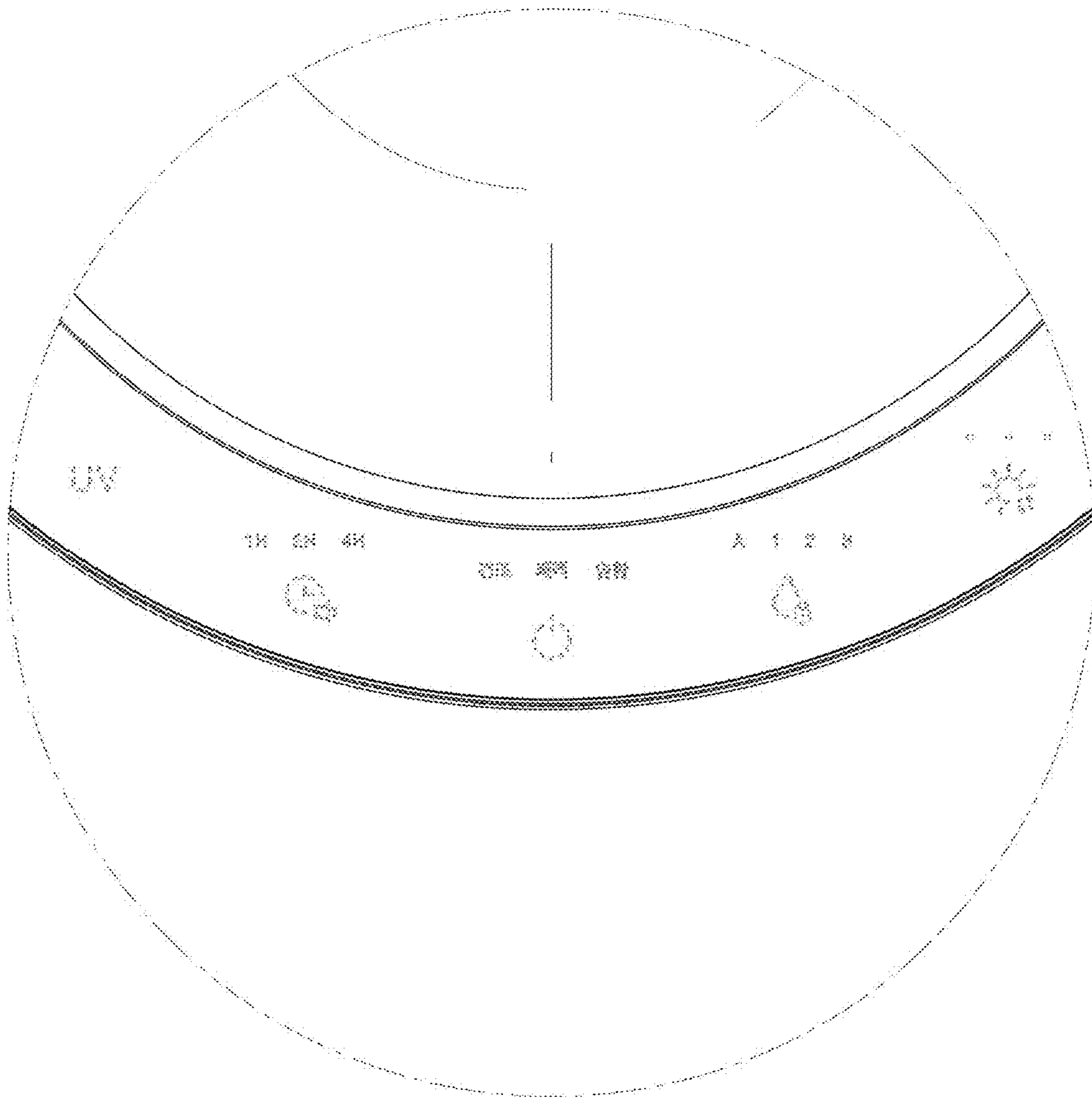


FIG. 9

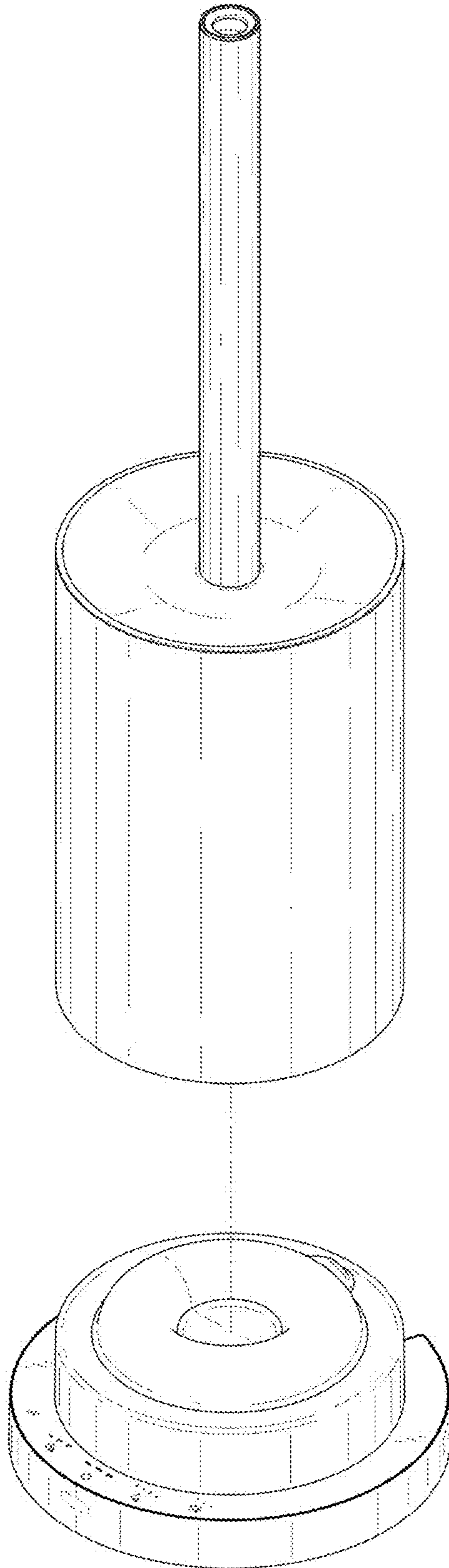


FIG. 10

