



US00D953500S

(12) **United States Design Patent**
Bermúdez et al.

(10) **Patent No.:** **US D953,500 S**

(45) **Date of Patent:** **** May 31, 2022**

(54) **DRY HYDROGEN PEROXIDE (DHP)
GENERATING DEVICE**

(71) Applicant: **Synexis LLC**, Overland Park, KS (US)

(72) Inventors: **Pedro J. Bermúdez**, Olathe, KS (US);
Stefan Grobe, Waldenbuch (DE)

(73) Assignee: **SYNEXIS LLC**, Lenexa, KS (US)

(**) Term: **15 Years**

(21) Appl. No.: **29/722,755**

(22) Filed: **Jan. 31, 2020**

(51) **LOC (13) Cl.** **23-04**

(52) **U.S. Cl.**
USPC **D23/355**

(58) **Field of Classification Search**
USPC D23/332–333, 335, 352, 355–365, 369,
D23/213; D24/124, 184, 217
CPC A62B 21/00; B01D 46/0002; B01D 46/10;
F02M 35/04; F24F 13/20
See application file for complete search history.

(56) **References Cited**

U.S. PATENT DOCUMENTS

D379,219 S	*	5/1997	Ellwood	D23/355
D379,220 S	*	5/1997	Ellwood	D23/355
D429,804 S	*	8/2000	Rossmann	D23/332
D448,836 S	*	10/2001	De' Longhi	D23/333
D505,997 S	*	6/2005	Maegawa	D23/332
D532,881 S	*	11/2006	Ching	D23/335
D564,645 S	*	3/2008	Shapiro	D23/317

D607,551 S	*	1/2010	Catrino	D23/314
D823,448 S	*	7/2018	De' Longhi	D23/335
D823,449 S	*	7/2018	De' Longhi	D23/335
D846,102 S	*	4/2019	Pellerin	D23/332
D882,743 S	*	4/2020	Yang	D23/333
D896,935 S	*	9/2020	Bryn-Haugland	D23/332

* cited by examiner

Primary Examiner — Karen S Acker

Assistant Examiner — Jonathan E. Fiencke

(74) *Attorney, Agent, or Firm* — McBee Moore & Vanik
IP, LLC; Susan McBee; Chester Moore

(57) **CLAIM**

The ornamental design for a dry hydrogen peroxide (DHP) generating device, as shown and described.

DESCRIPTION

FIG. 1 is a perspective view of the dry hydrogen peroxide (DHP) generating device of the present application.

FIG. 2 is a front view thereof.

FIG. 3 is a back view thereof.

FIG. 4 is a left side view thereof.

FIG. 5 is a right side view thereof.

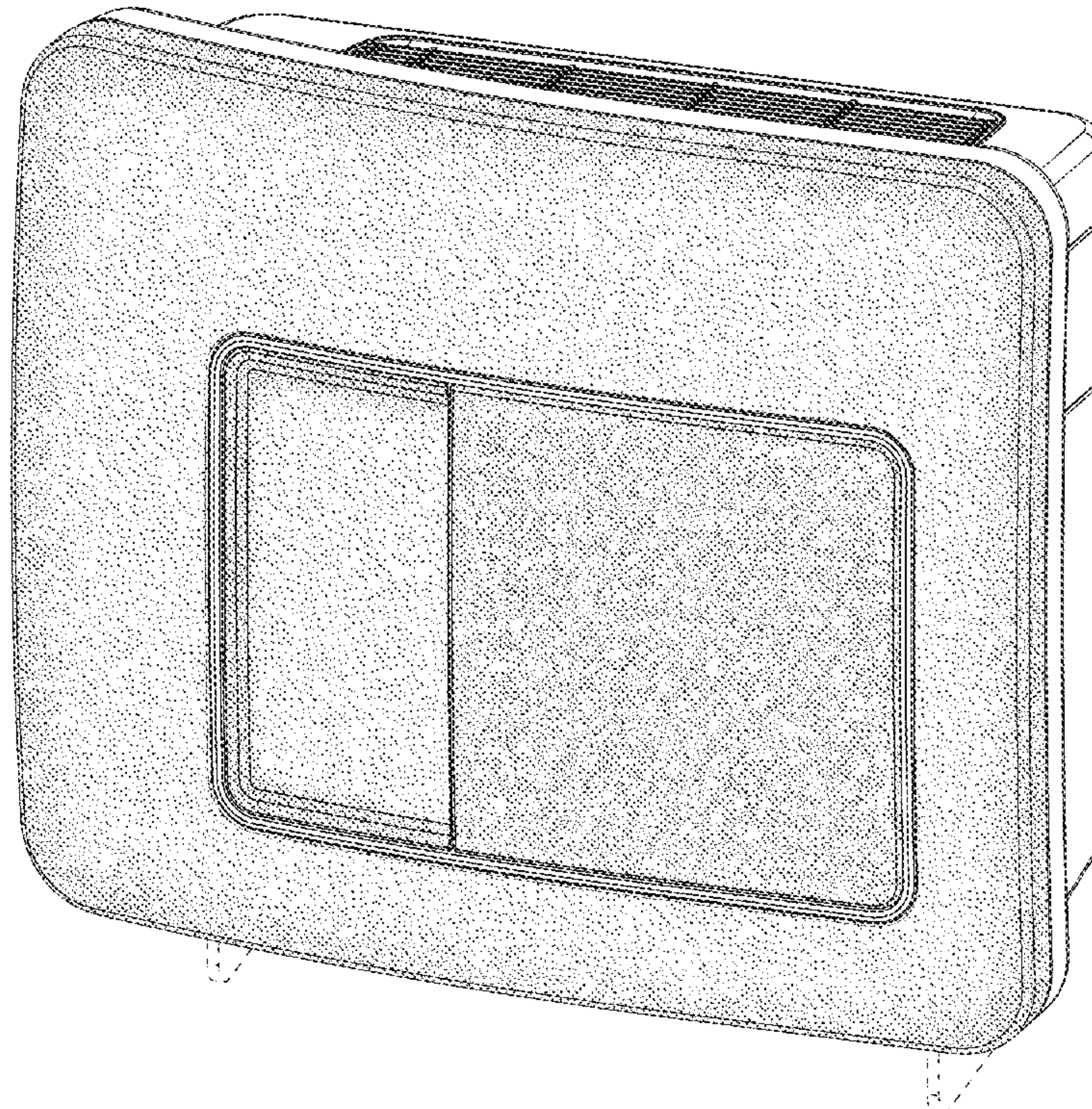
FIG. 6 is a top view thereof; and,

FIG. 7 is bottom view thereof.

The broken lines and unshaded areas within them depict portions of the dry hydrogen peroxide (DHP) generating device that form no part of the claimed design.

In the intended use of the article, the position and orientation of the dry hydrogen peroxide (DHP) generating device may vary.

1 Claim, 7 Drawing Sheets



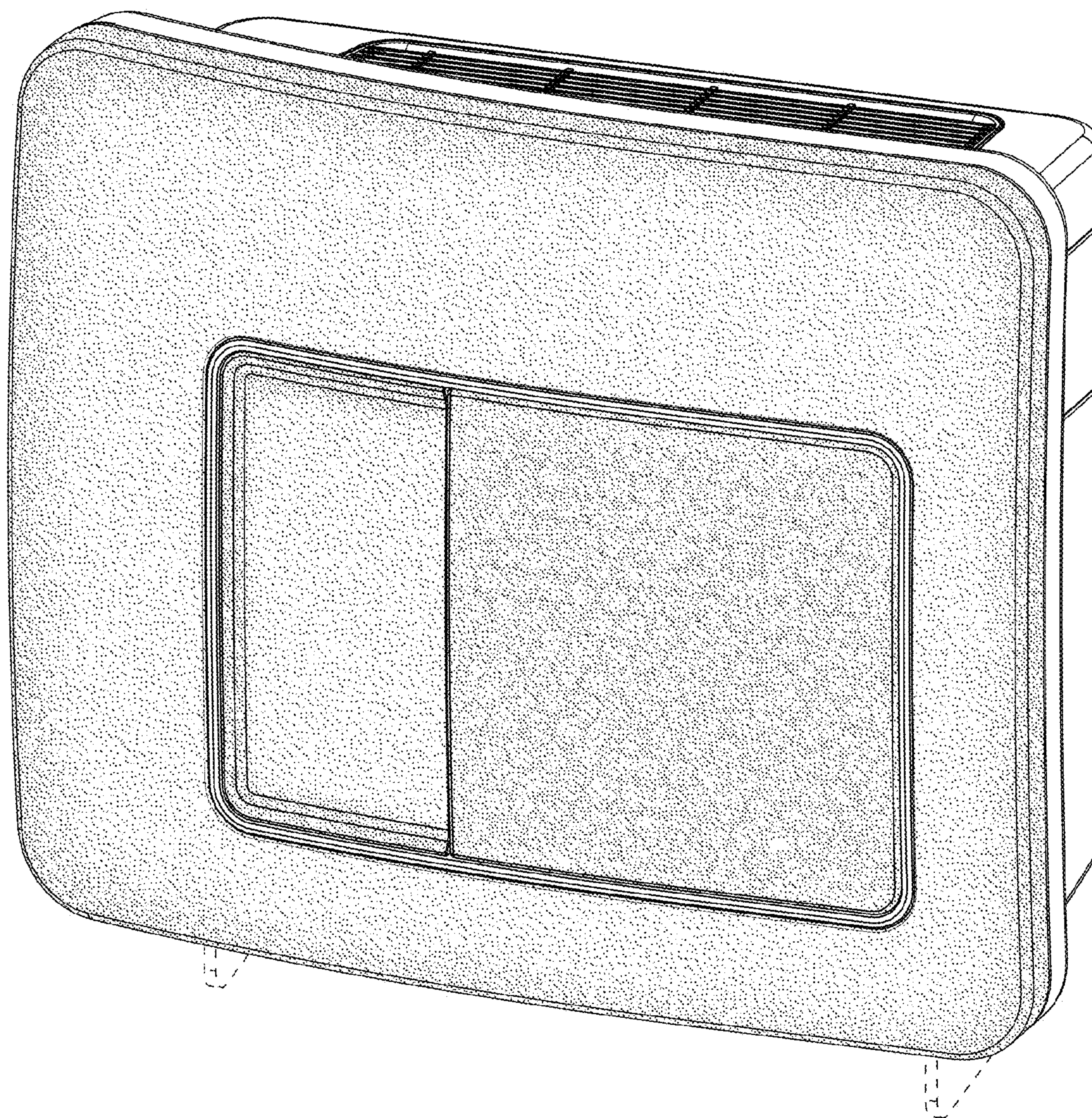


FIG. 1

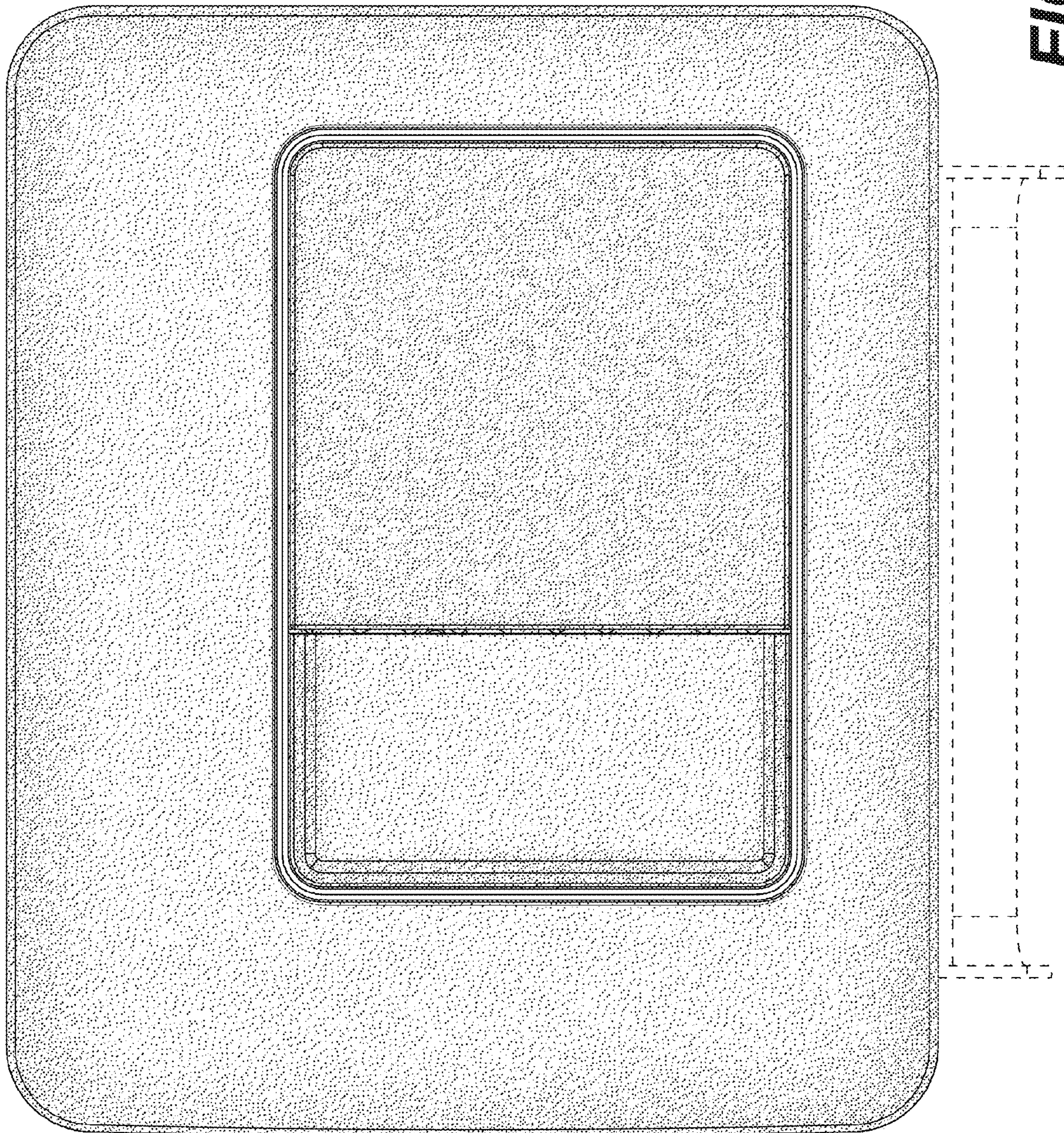


FIG. 2

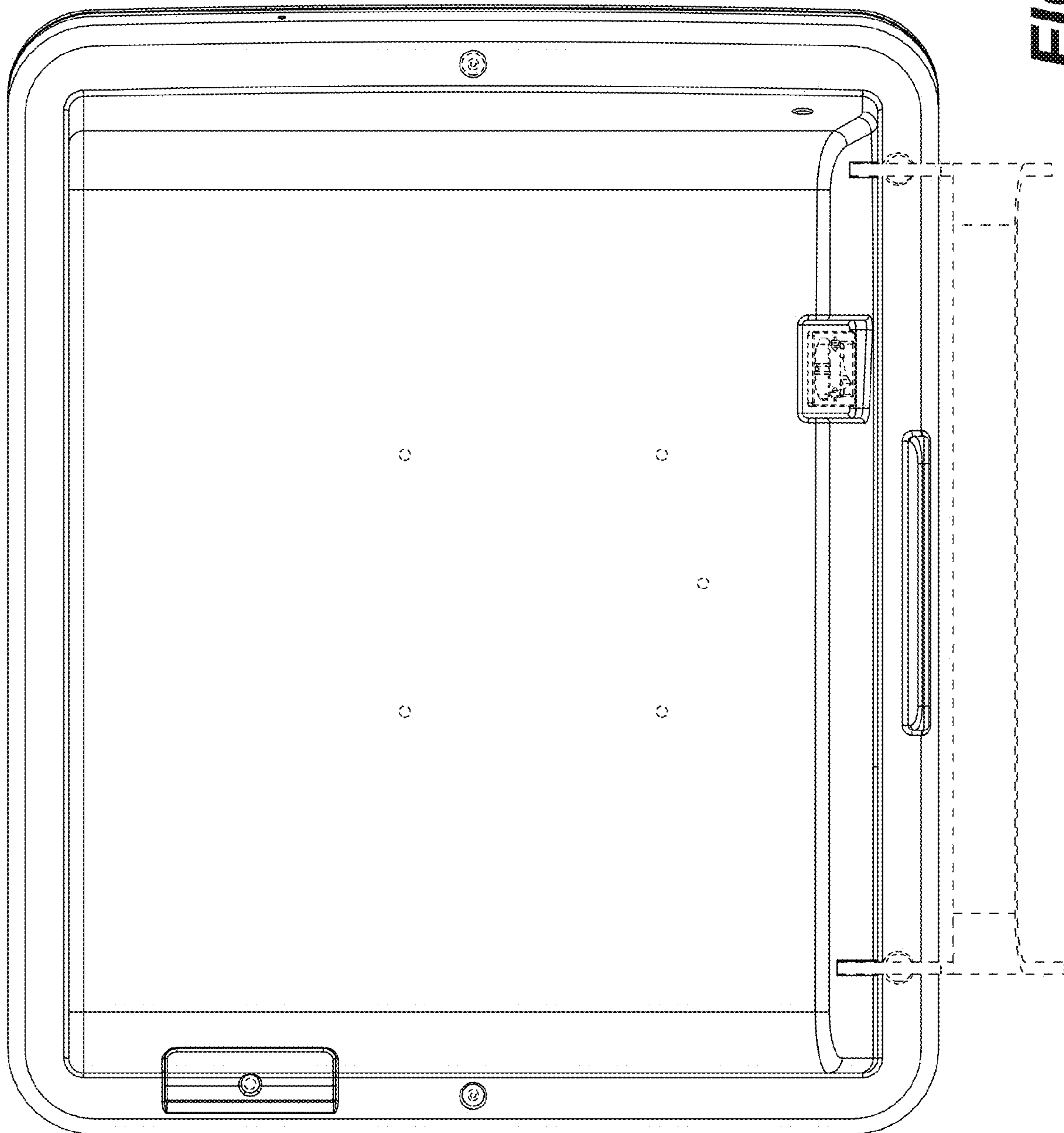


FIG. 3

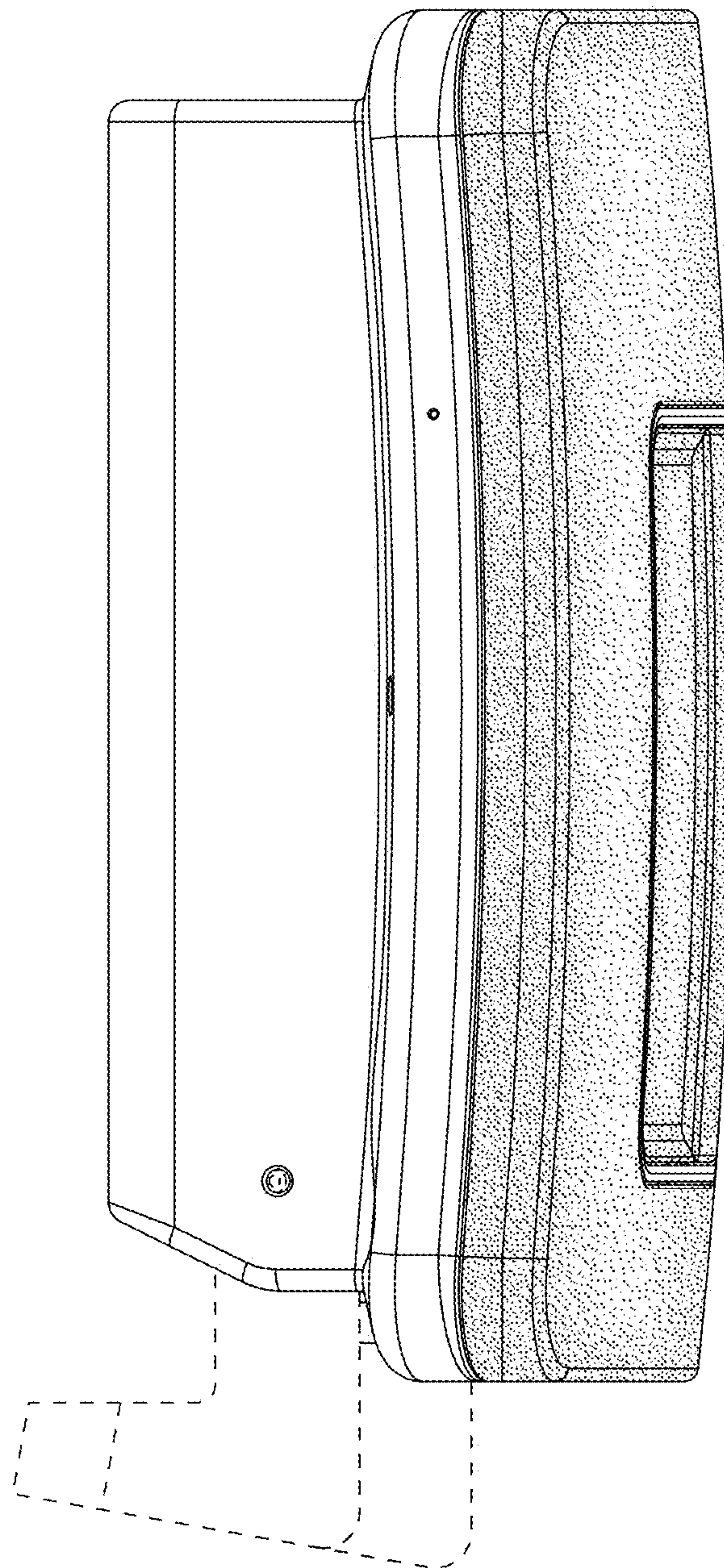


FIG. 4

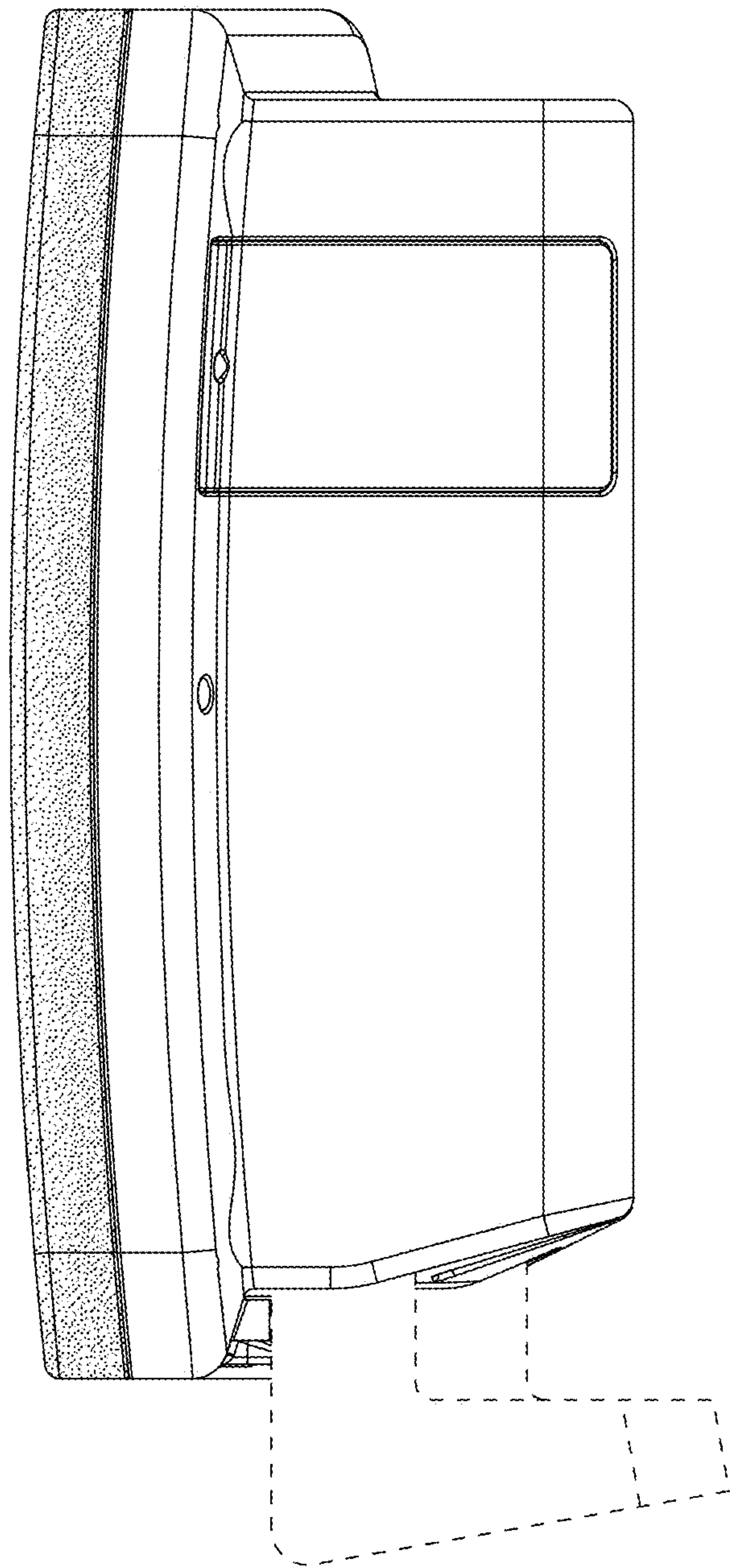


FIG. 5

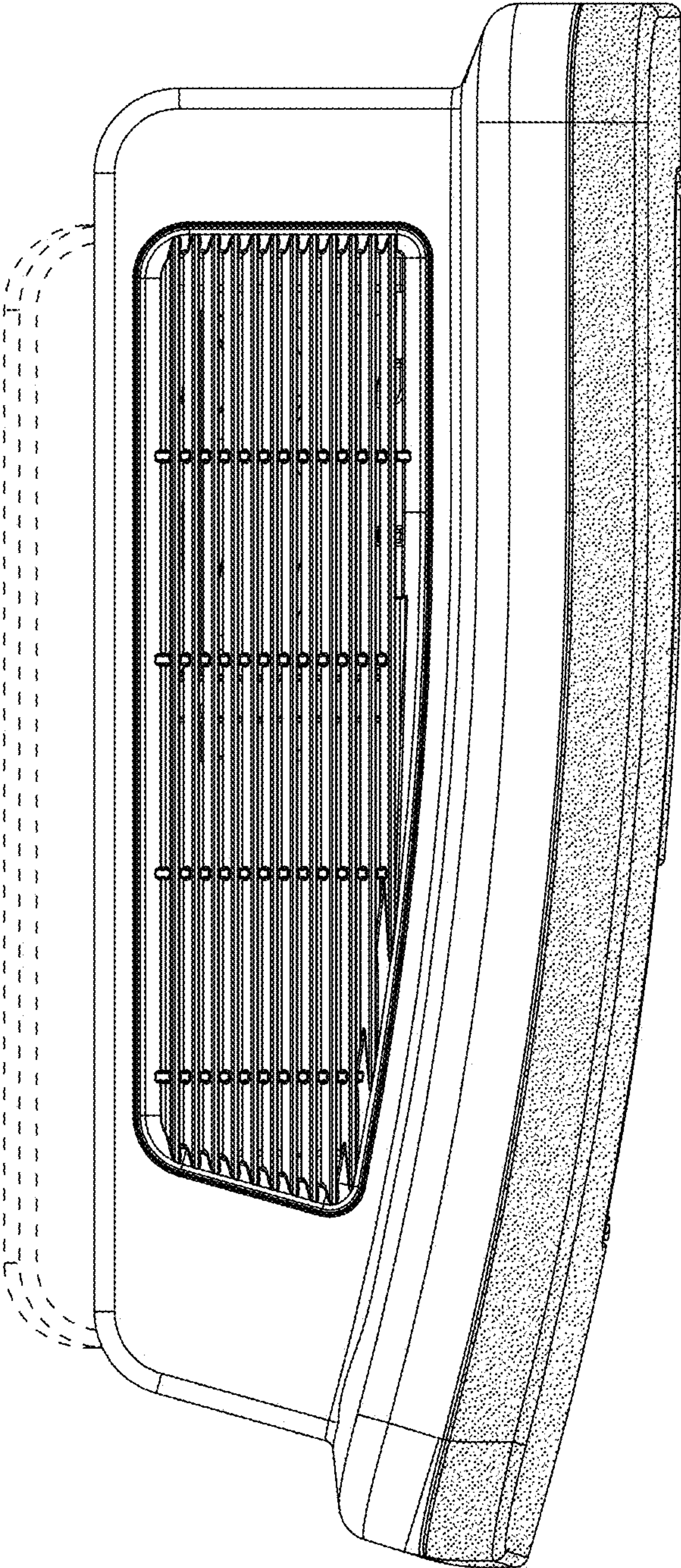


FIG. 6

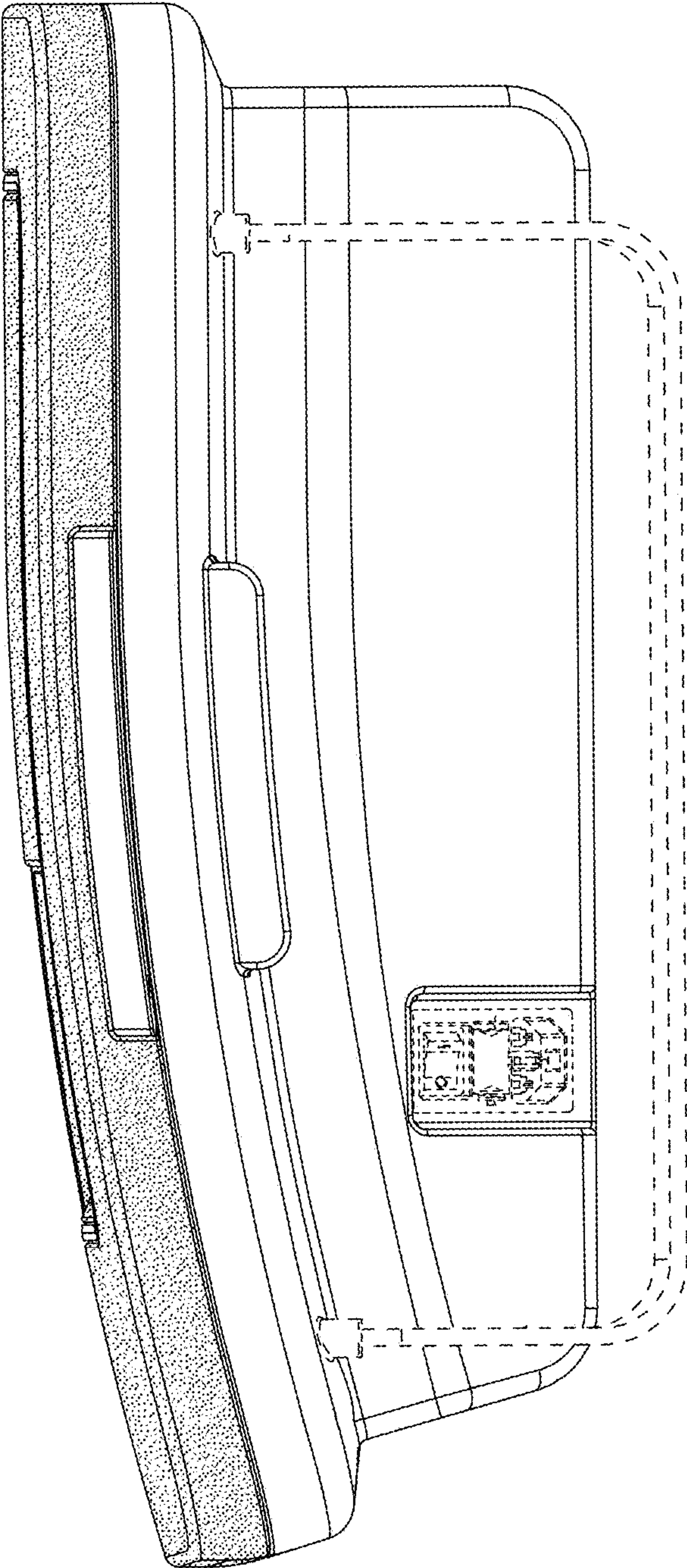


FIG. 7