



US00D953499S

(12) **United States Design Patent** (10) **Patent No.:** **US D953,499 S**  
**Scott** (45) **Date of Patent:** **\*\* May 31, 2022**

(54) **OUTDOOR SPACE HEATER**

FOREIGN PATENT DOCUMENTS

(71) Applicant: **CANADIAN TIRE CORPORATION LIMITED**, Toronto (CA)

CA 48360 \* 6/1981

(72) Inventor: **Jim Scott**, Cambridge (CA)

OTHER PUBLICATIONS

(73) Assignee: **CANADIAN TIRE CORPORATION LIMITED**, Toronto (CA)

Dyna-Glo 100,000-BTU Radiant Garage Heater, first available Aug. 7, 2010[online], [site visited Sep. 24, 2021]. Available from internet, URL:<https://www.amazon.ca/dp/B004Q0DJW6> (Year: 2010).\*  
Star Patio Electric Patio Heater, first available Dec. 3, 2018[online], [site visited Sep. 24, 2021]. Available from internet, URL:<https://www.amazon.com/Star-Patio-Freestanding-Protection-STP1299-RMHD-M/dp/B089F7H9GL> (Year: 2018).\*

(\*\*) Term: **15 Years**

(21) Appl. No.: **29/744,600**

\* cited by examiner

(22) Filed: **Jul. 30, 2020**

(51) **LOC (13) Cl.** ..... **23-03**

(52) **U.S. Cl.**  
USPC ..... **D23/318**

(58) **Field of Classification Search**  
USPC ..... D23/314, 317-319, 324, 332, 335-337  
CPC ... F24H 3/00; F24C 3/04; F23D 14/10; F23D 14/14

*Primary Examiner* — Barbara Fox

*Assistant Examiner* — Jamaal Rasheed

(74) *Attorney, Agent, or Firm* — Norton Rose Fulbright Canada LLP

See application file for complete search history.

(56) **References Cited**

(57) **CLAIM**

U.S. PATENT DOCUMENTS

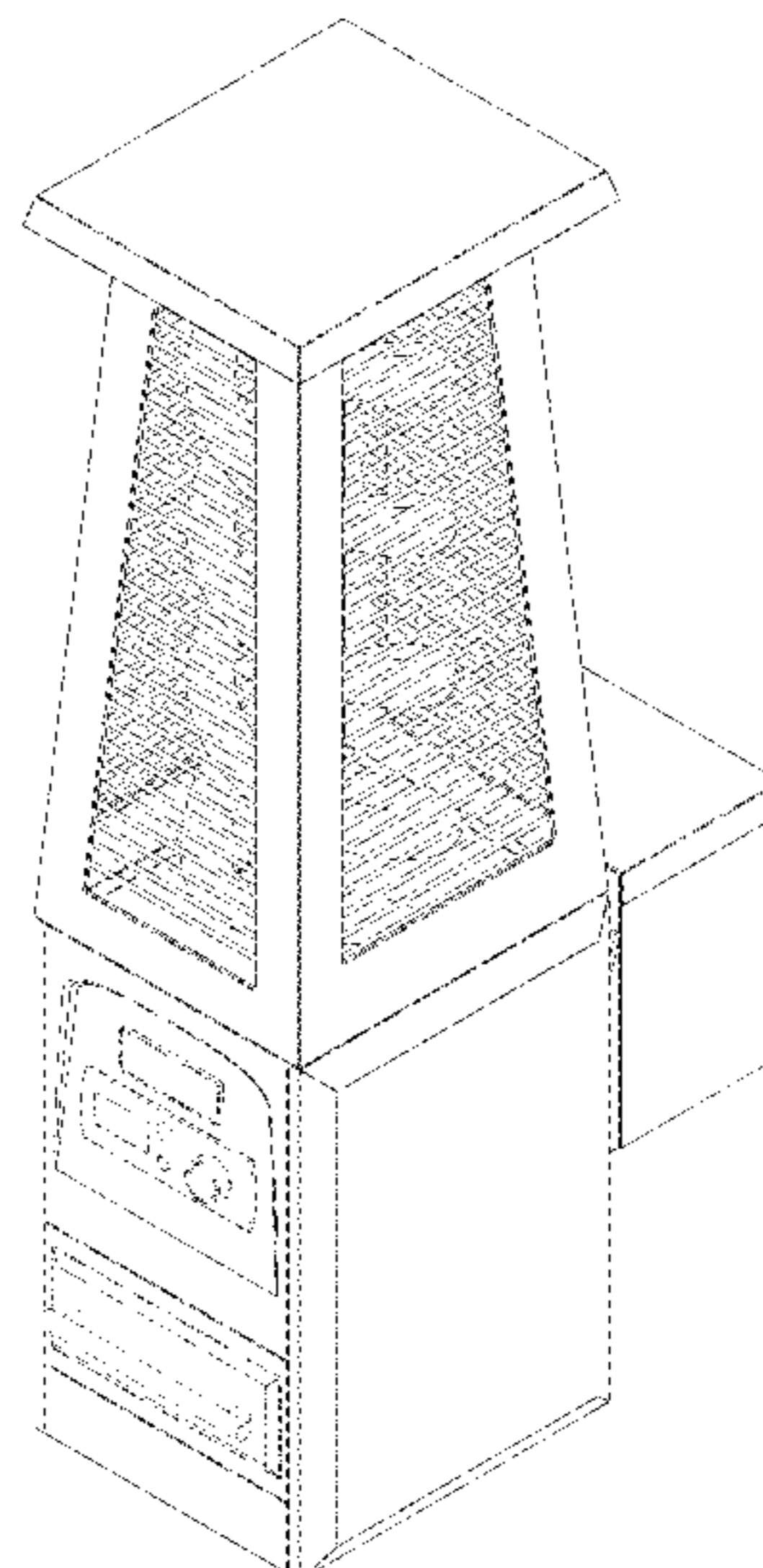
The ornamental design for an outdoor space heater, as shown and described.

D267,424 S *	12/1982	Boldt	.....	D23/340
D268,953 S *	5/1983	Kerchner, Jr.	.....	D23/340
D271,132 S *	10/1983	Boldt	.....	D23/336
D493,873 S *	8/2004	Hayashi	.....	D23/314
D620,569 S *	7/2010	Hall, Jr.	.....	D23/332
D639,919 S *	6/2011	Yu	.....	D23/314
D756,496 S *	5/2016	Wang	.....	D23/332
10,330,313 B2 *	6/2019	Huang	.....	F23D 14/70
D906,497 S *	12/2020	Huang	.....	D23/336
D930,130 S *	9/2021	Zioni	.....	D23/335
2010/0236544 A1 *	9/2010	Hall, Jr.	.....	F23D 14/12
				126/85 R
2014/0305427 A1 *	10/2014	Liang	.....	F24H 3/006
				126/90 R
2014/0305428 A1 *	10/2014	Liang	.....	F24H 3/006
				126/91 A
2016/0131394 A1 *	5/2016	Liang	.....	F24C 1/12
				126/90 R

**DESCRIPTION**

FIG. 1 is a perspective view of an outdoor space heater showing my new design;  
FIG. 2 is a front view thereof;  
FIG. 3 is a rear view thereof;  
FIG. 4 is a left side view thereof;  
FIG. 5 is a right side view thereof; and,  
FIG. 6 is a top view thereof.  
The broken lines shown in the figures depict portions of the outdoor space heater that form no part of the claimed design.

**1 Claim, 6 Drawing Sheets**



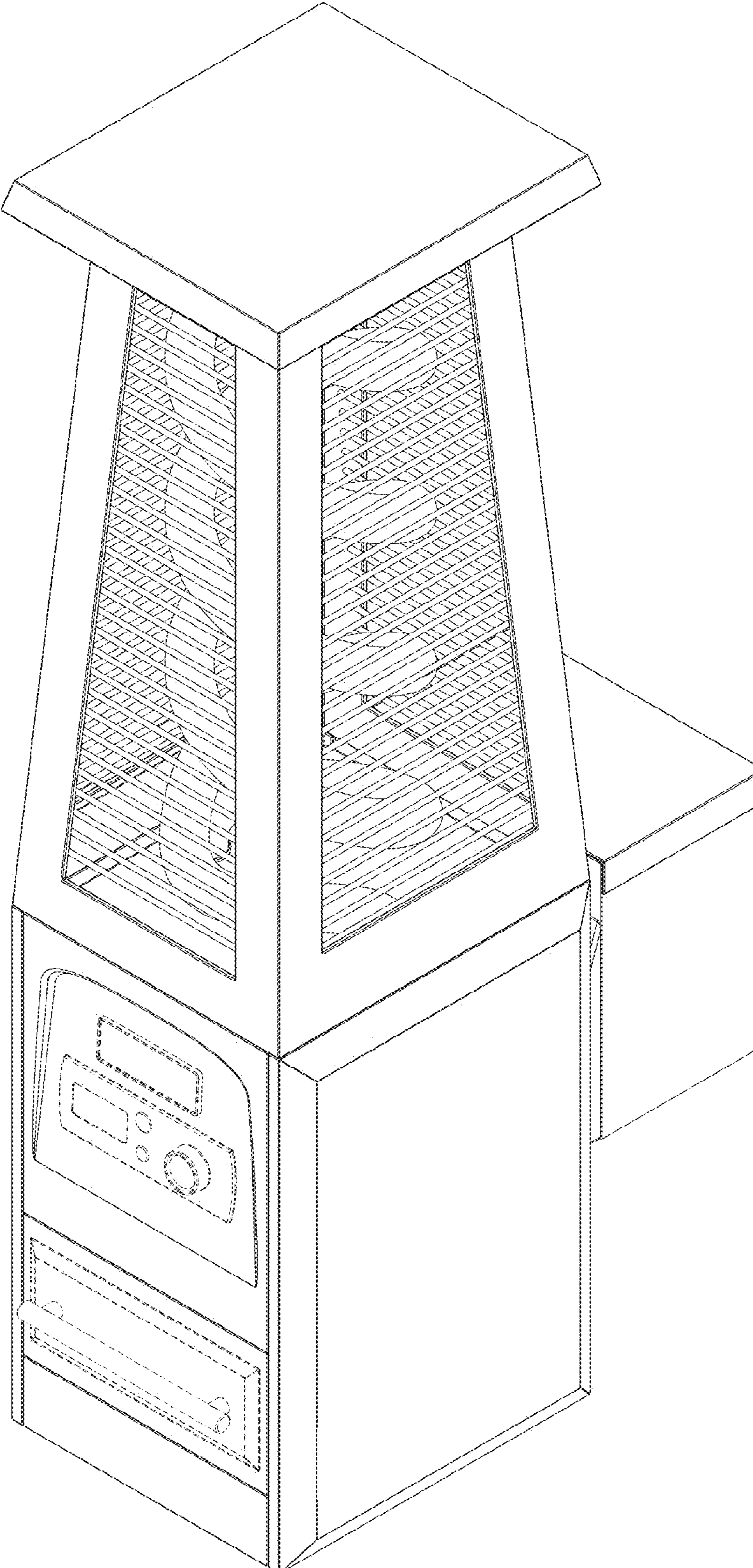
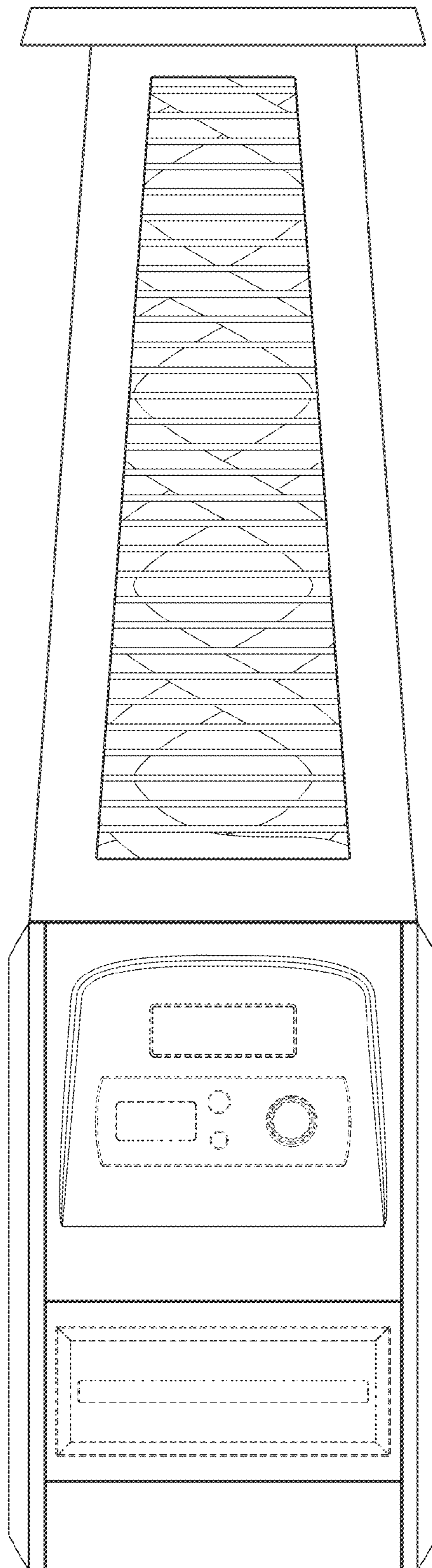
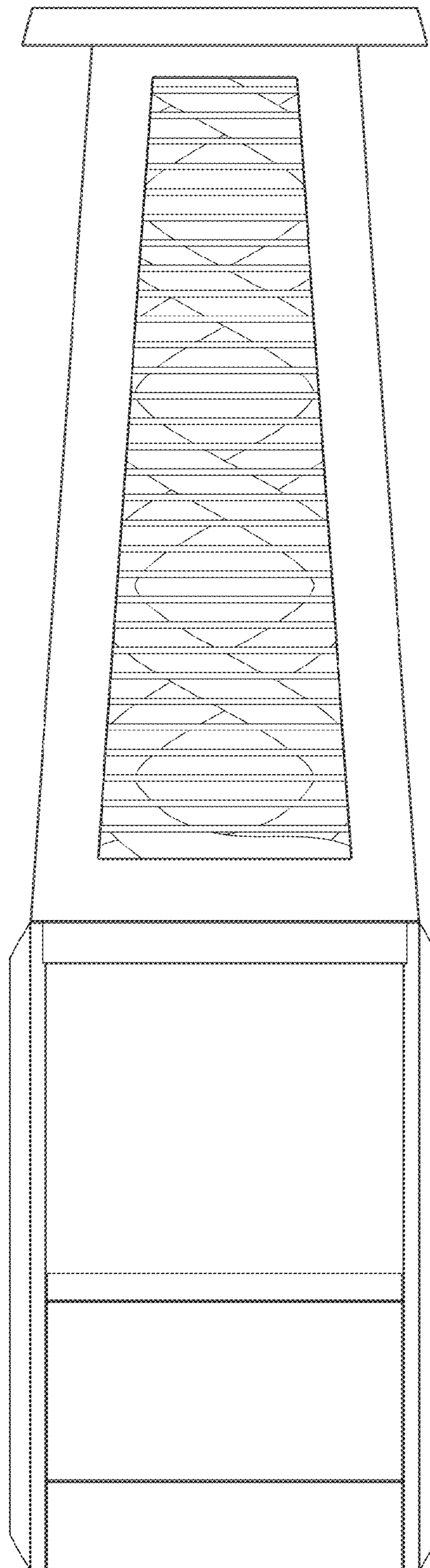


FIG. 1





**FIG. 2**



**FIG. 3**

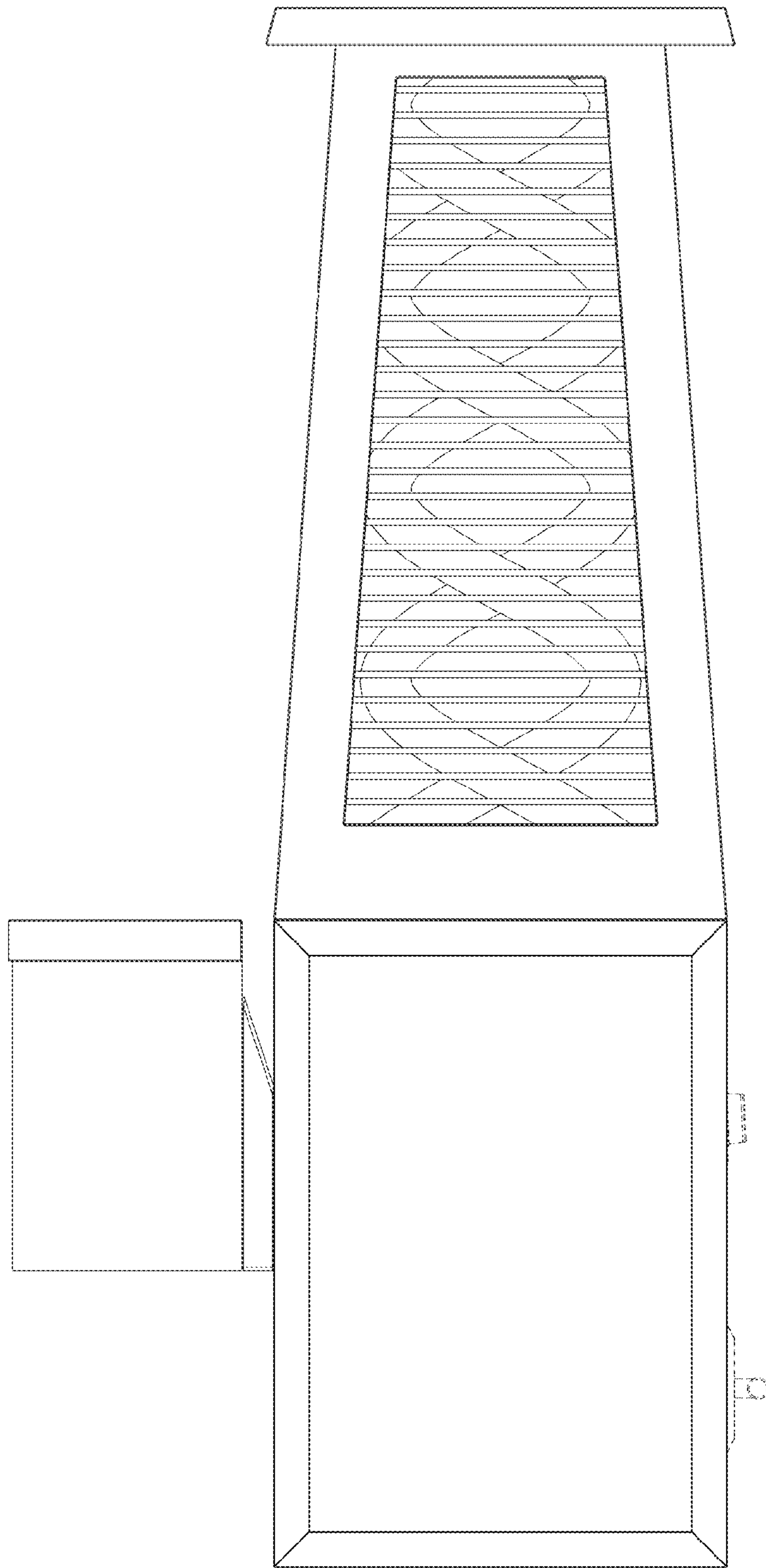


FIG. 4

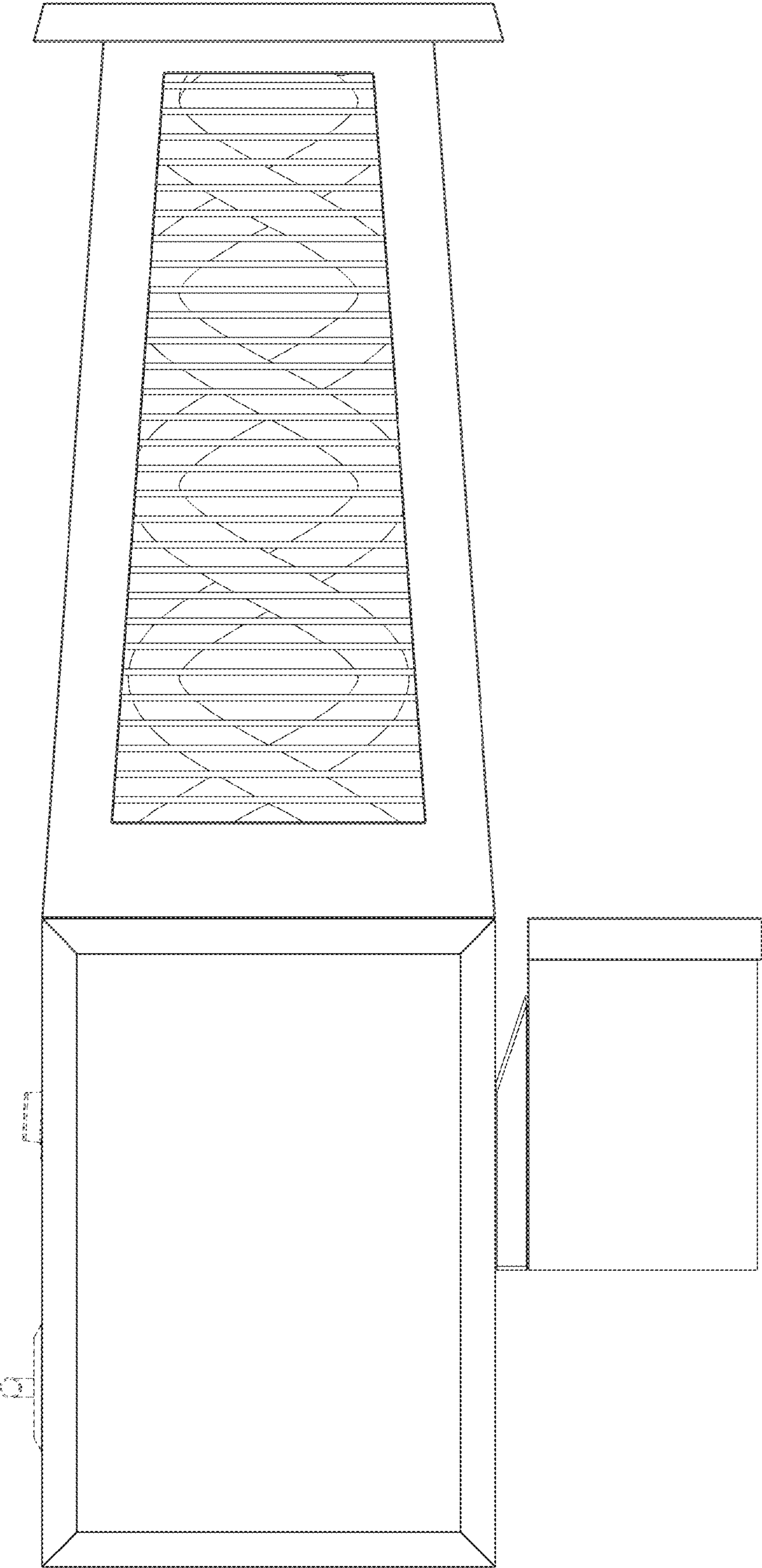
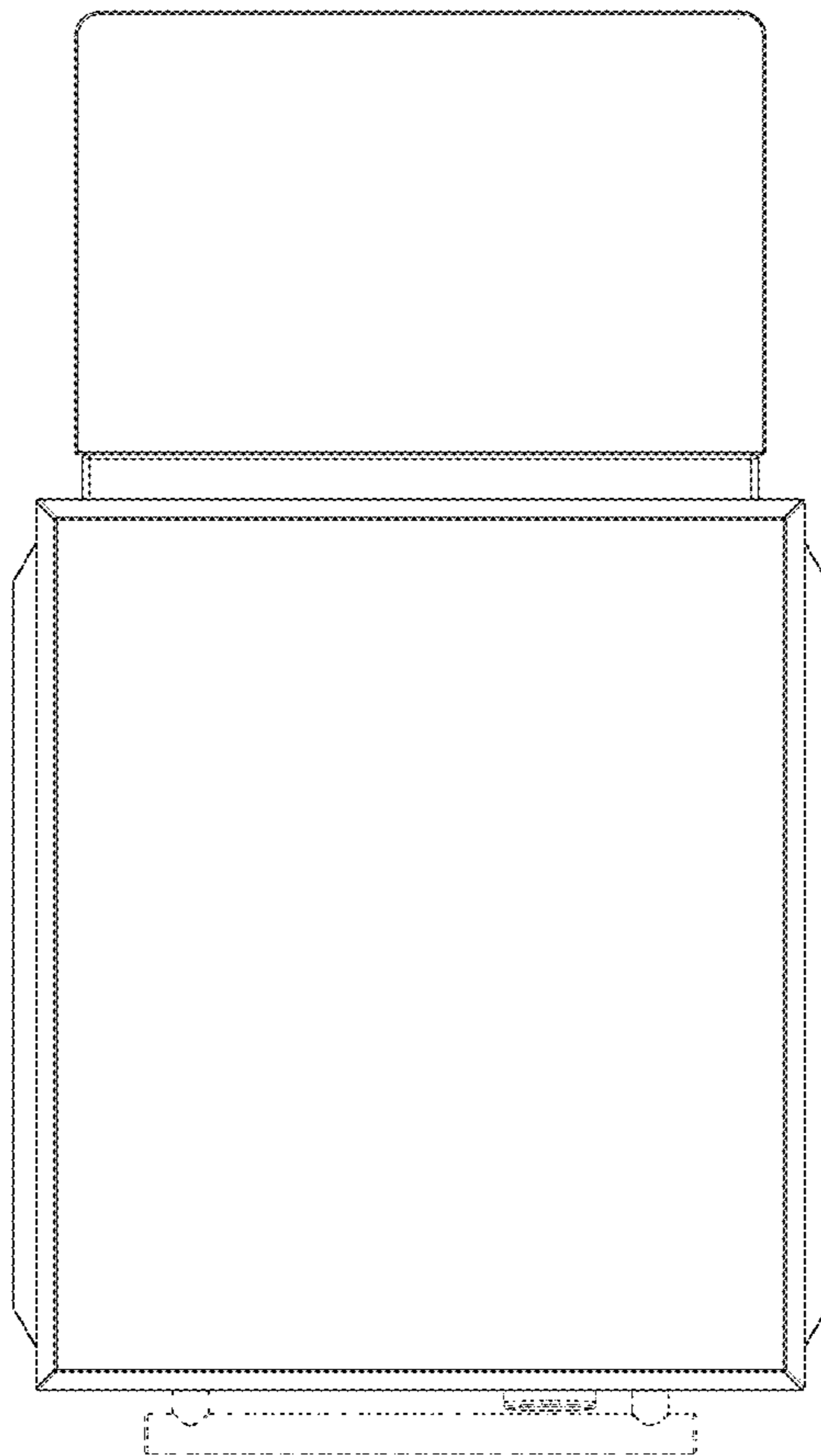


FIG. 5



**FIG. 6**